

Installation Instructions, Post Base

6x6 shown
with optional
2-3/8 Star
(56623-sold
separately)



- 56604 4x6 (4x6-PB-LS)
- 51704 4x6 (4x6-PB-IW)
- 56605 10x10 (10x10-PB-LS)
- 56607 4x4 (4x4-PB-LS)
- 51707 4x4 (4x4-PB-IW)
- 56608 6x6 (4x6-PB-LS)
- 51708 6x6 (4x6-PB-IW)
- 56609 8x8 (8x8-PB-LS)
- 51709 8x8 (8x8-PB-IW)

this instruction illustrates 6x6 Post Base installation.
All Post Bases will be installed the same.

Laredo Sunset shown

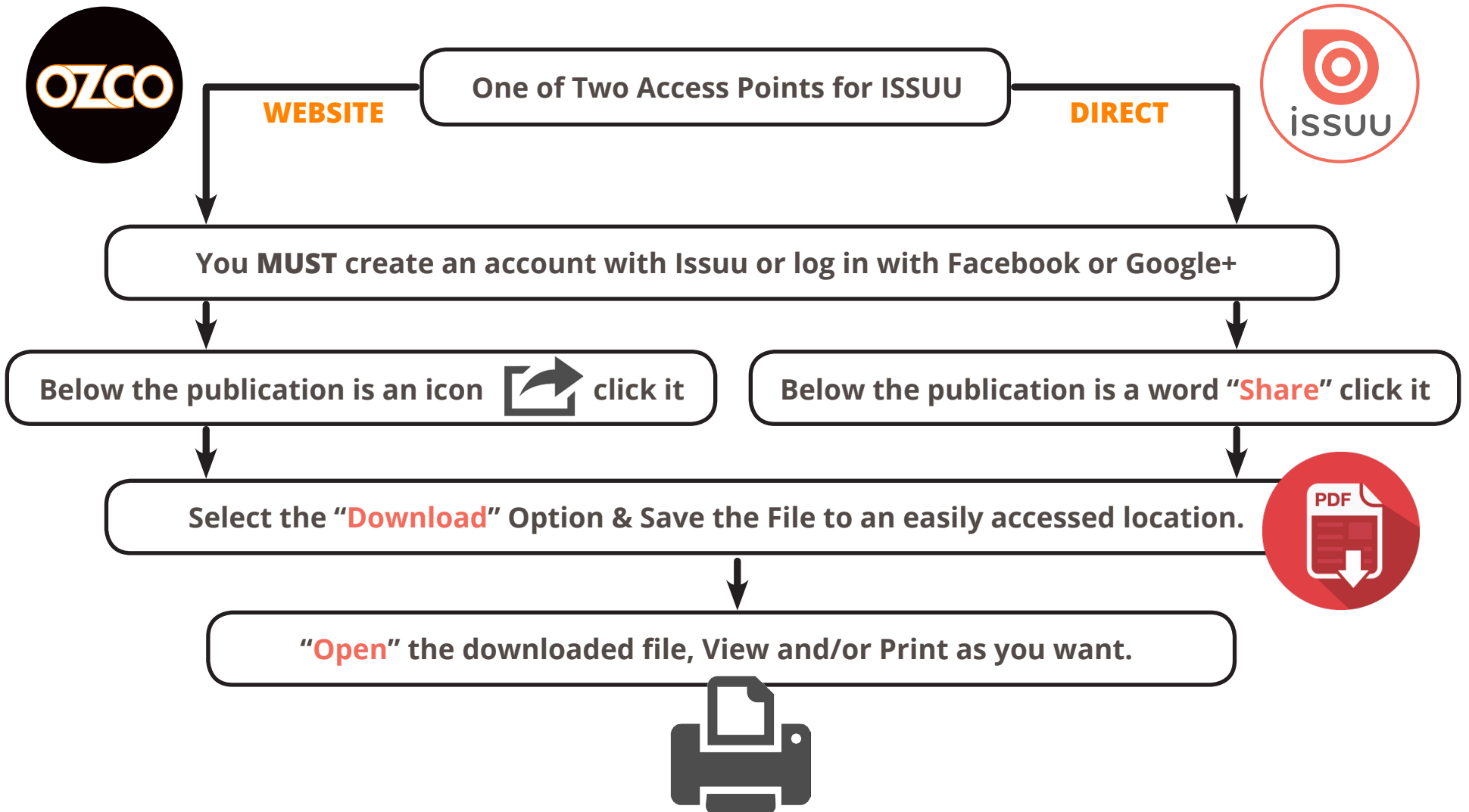


OZCO BUILDING PRODUCTS ■■■



Printing Documents from ISSUU

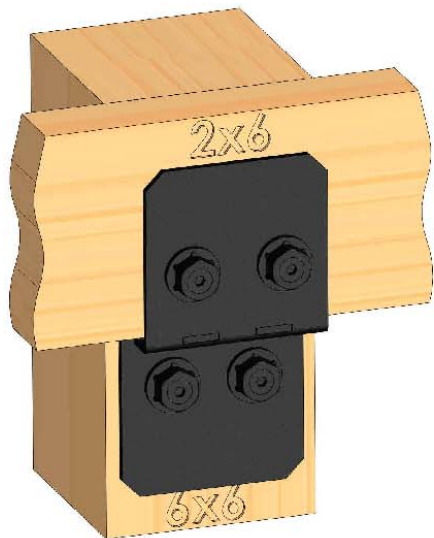
Unfortunately, there is currently no way to print content directly through issuu. To print a publication, you will need to download it and print it from your computer.



Laredo Sunset

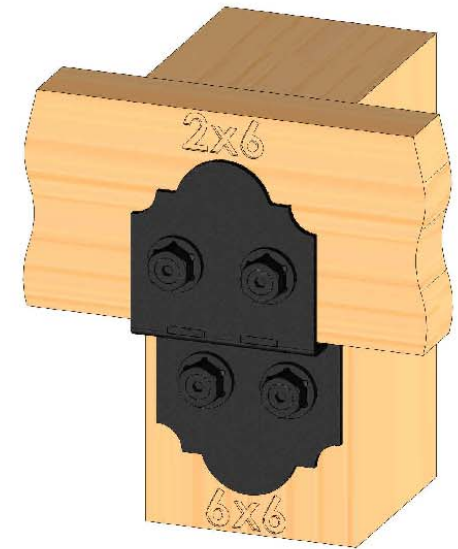
vs.

Ironwood



Ironwood
(517XX series)

2 great styles
same functionality



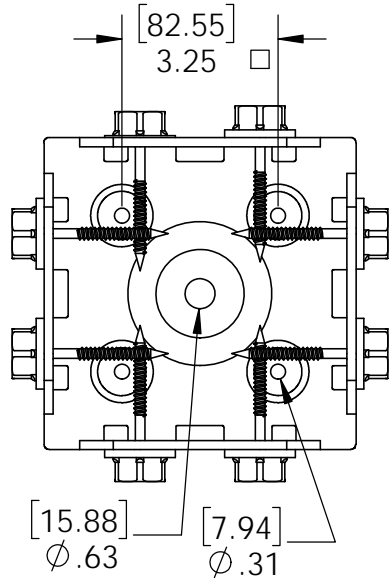
Laredo Sunset
(566XX series)

choose your connection lifestyle

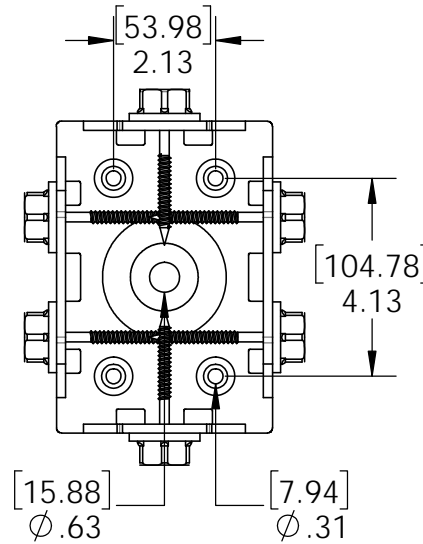
both styles available for most products



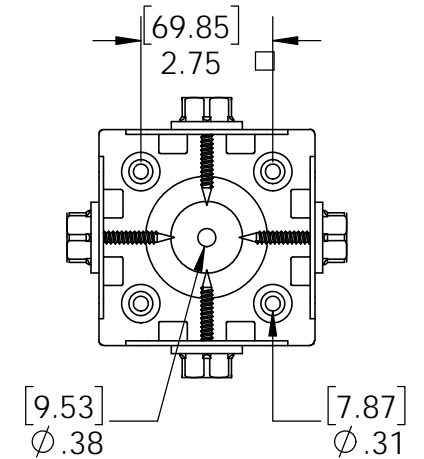
OZCO BUILDING PRODUCTS



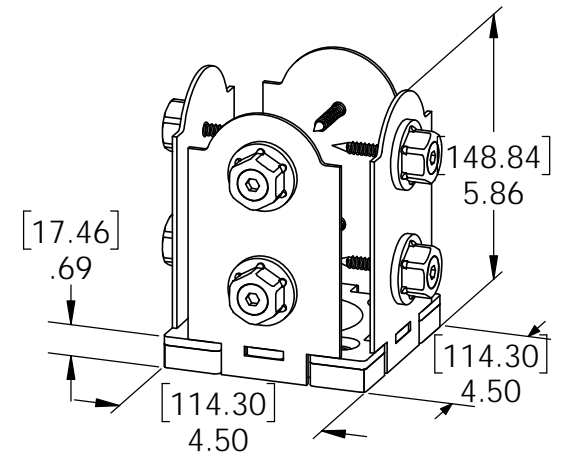
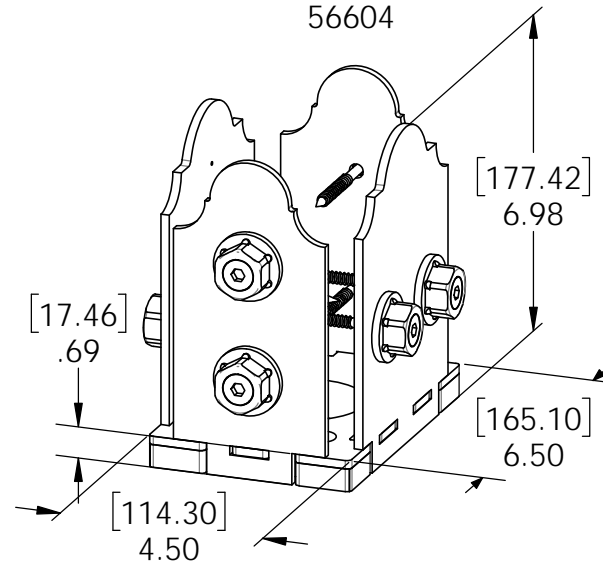
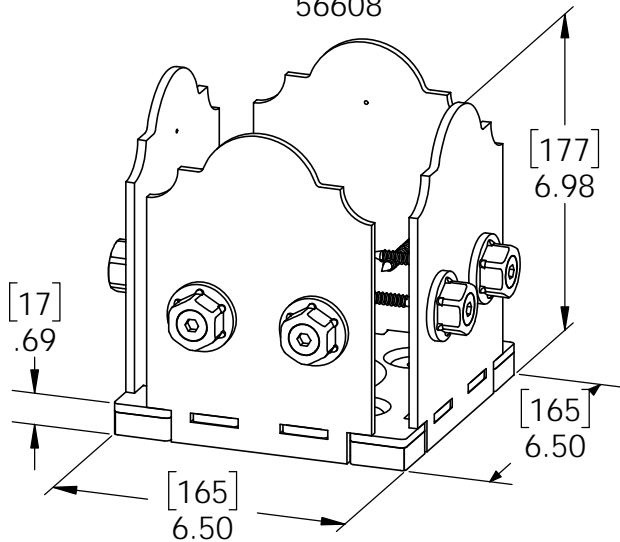
6x6 Post Base (6x6-PB-LS)
56608



4x6 Post Base
56604

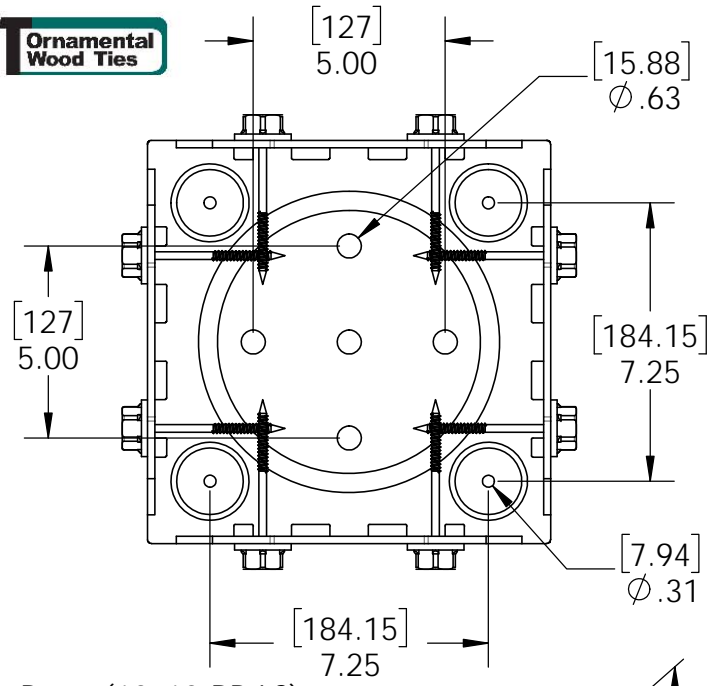


4x4 Post Base (4x4-PB-LS)
56607

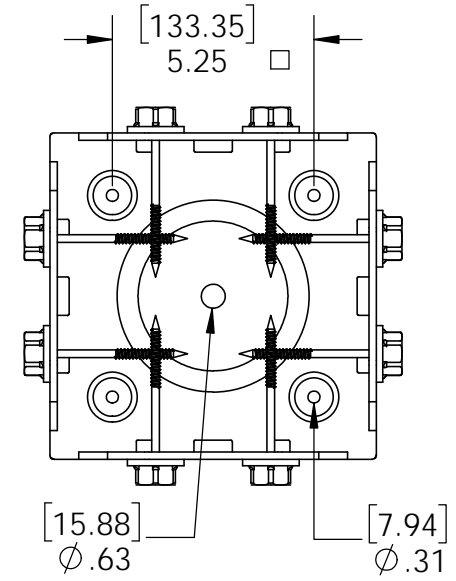


Overview-Laredo Sunset

Installation Instructions, Post Base



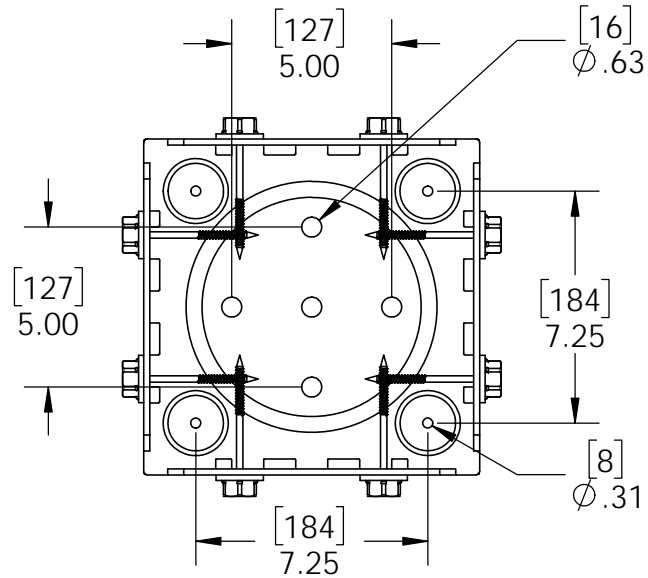
10x10 Post Base (10x10-PB-LS)
56605



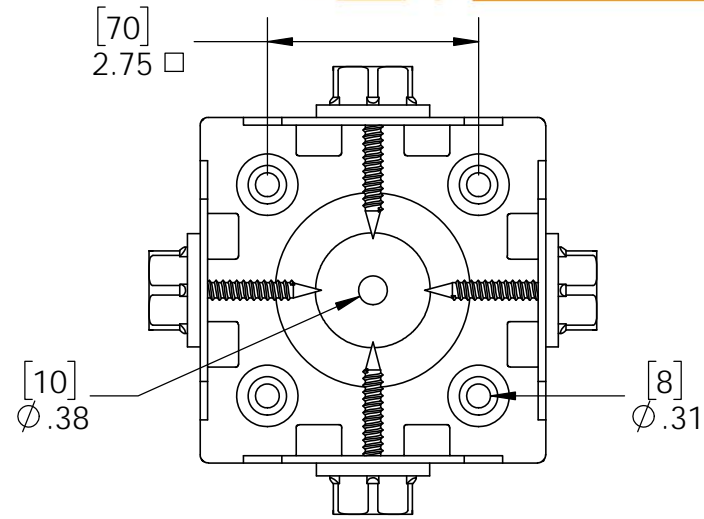
8x8 Post Base (8x8-PB-LS)
56609

Overview-Laredo Sunset

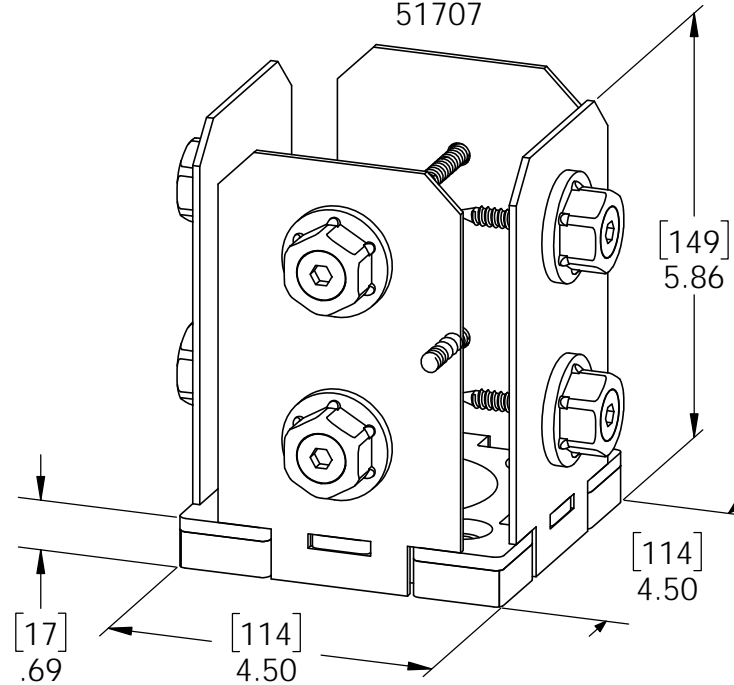
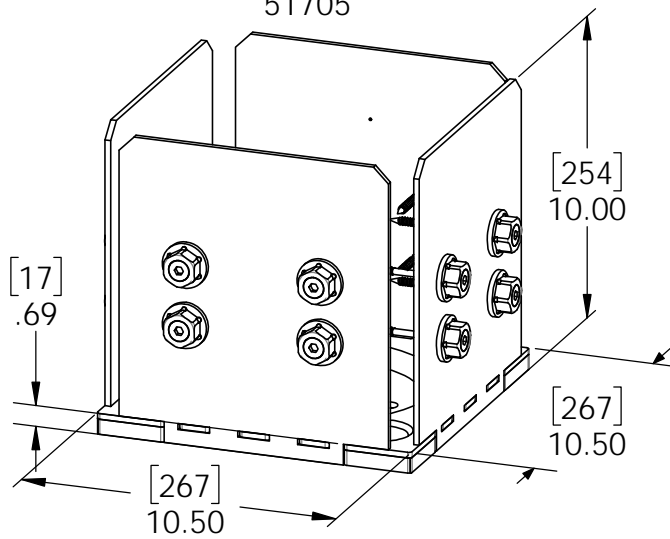
Installation Instructions, Post Base



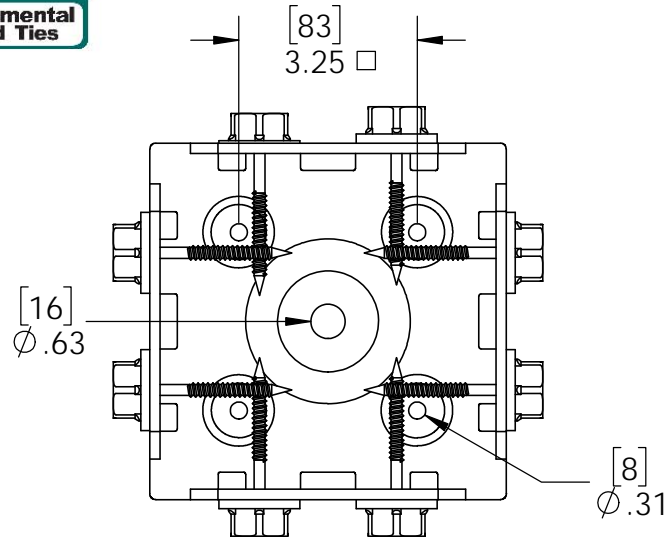
10x10 Post Base (10x10-PB-IW)
51705



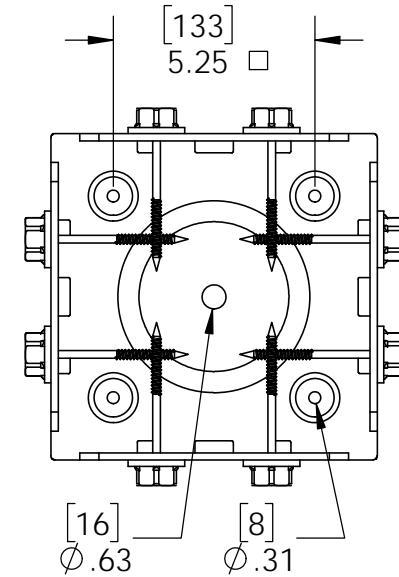
4x4 Post Base (4x4-PB-IW)
51707



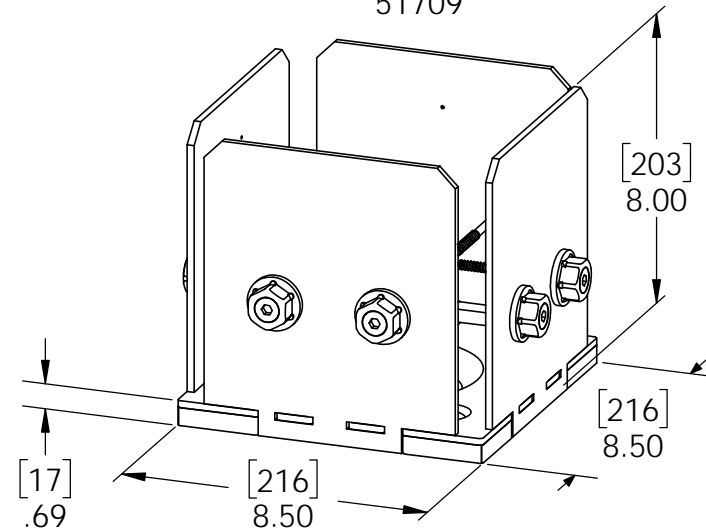
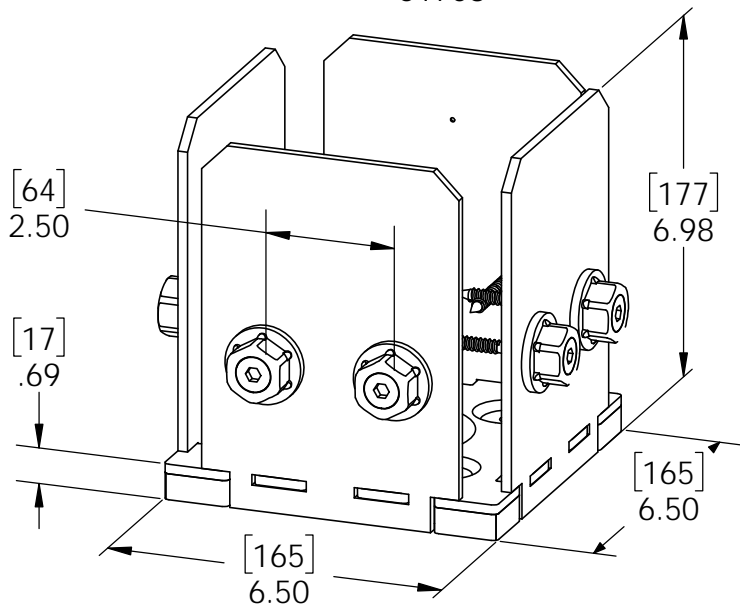
Overview-Ironwood



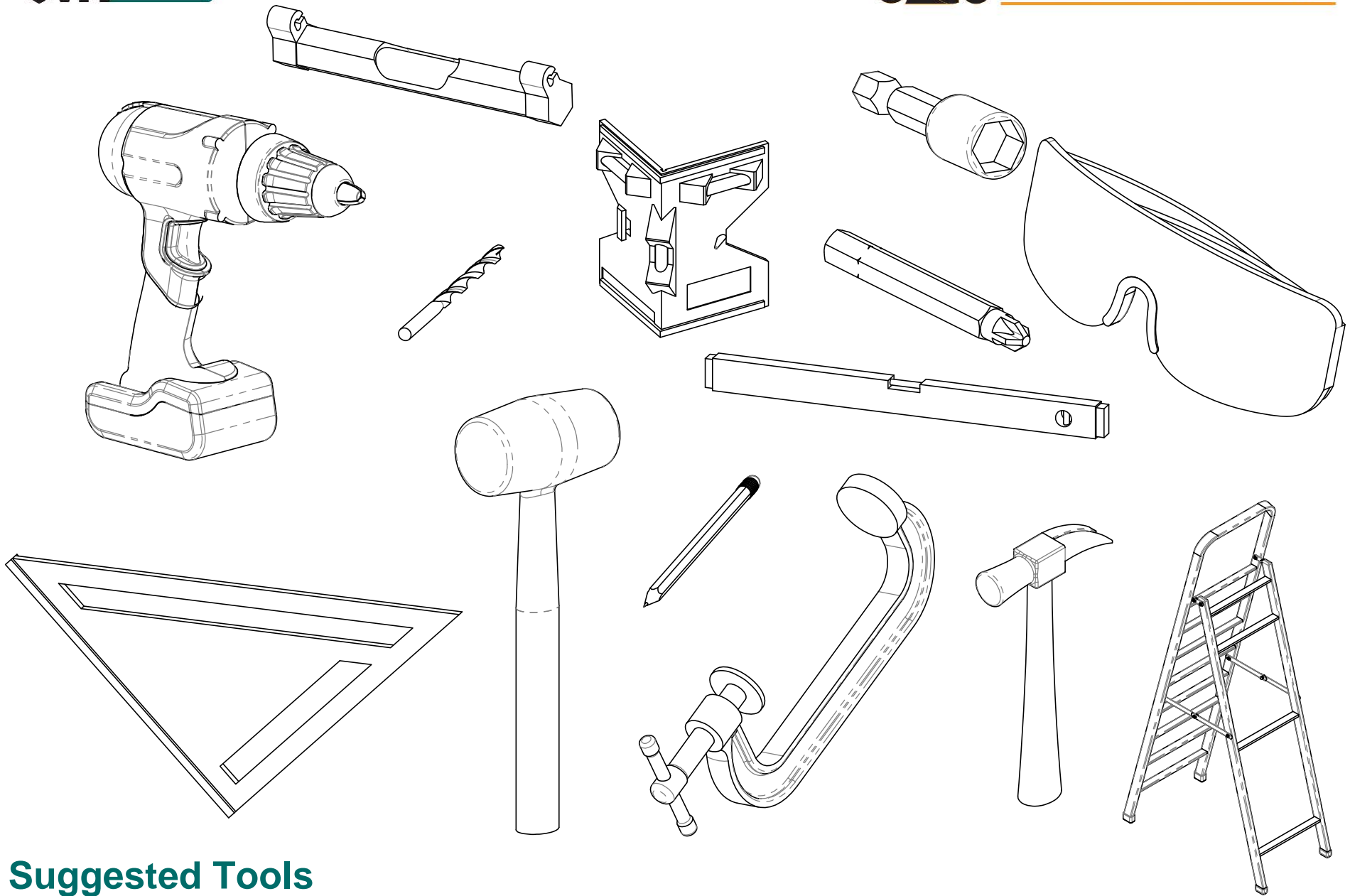
6x6 Post Base (6x6-PB-IW)
51708



8x8 Post Base (8x8-PB-IW)
51709



Overview-Ironwood

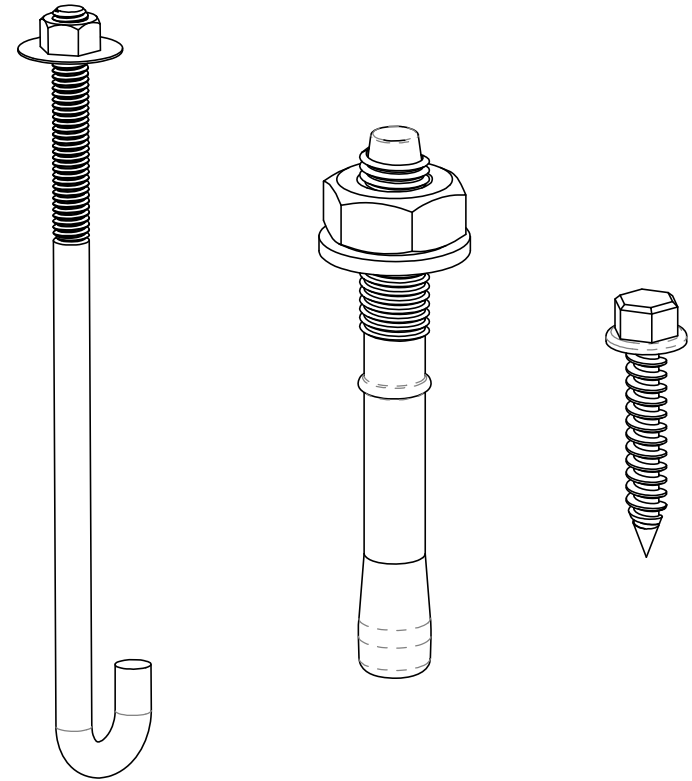
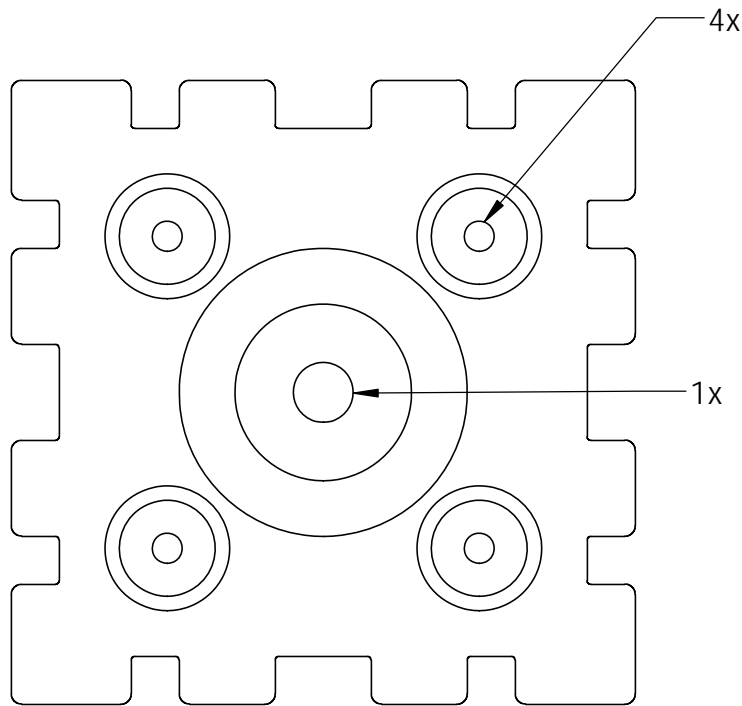
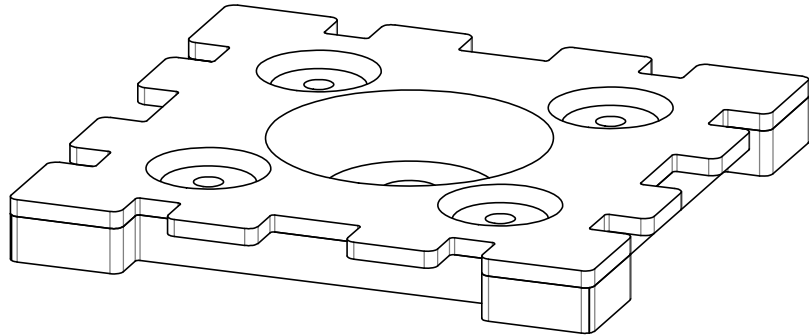


Suggested Tools

(others may be required)

Installation Instructions, Post Base

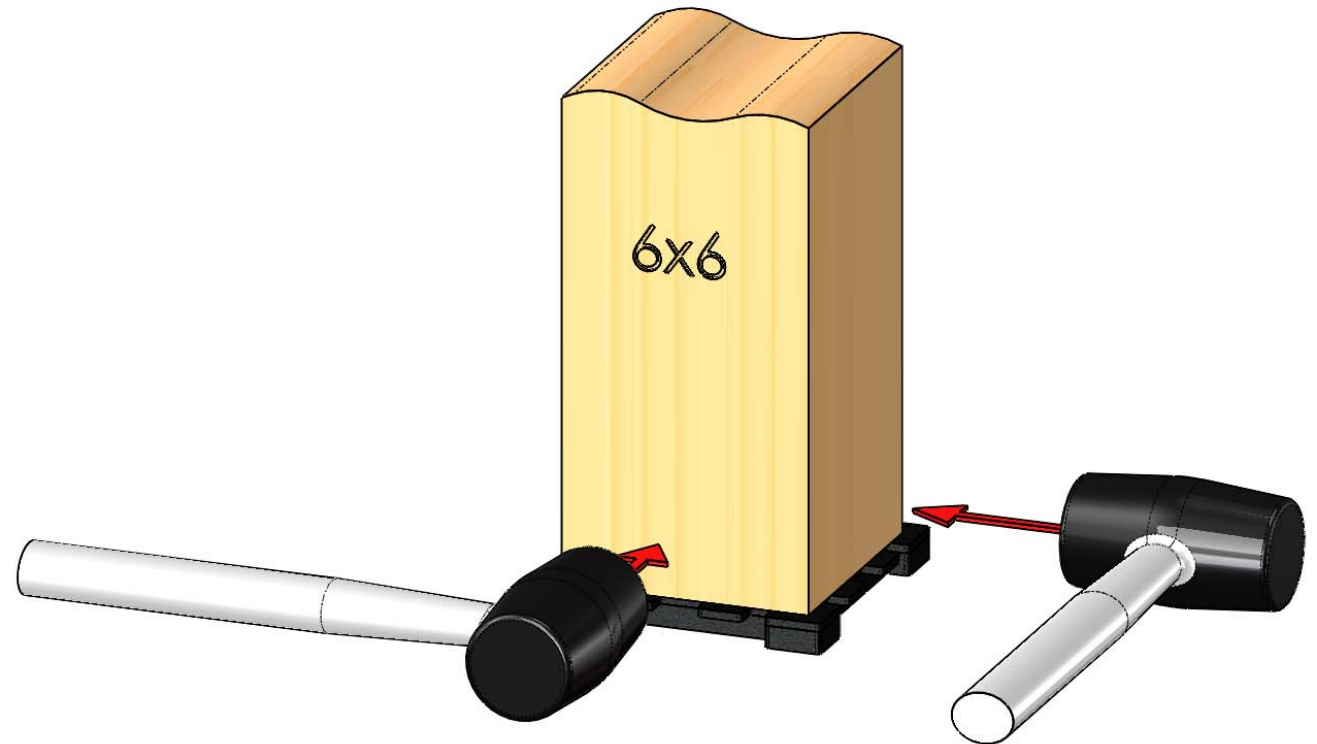
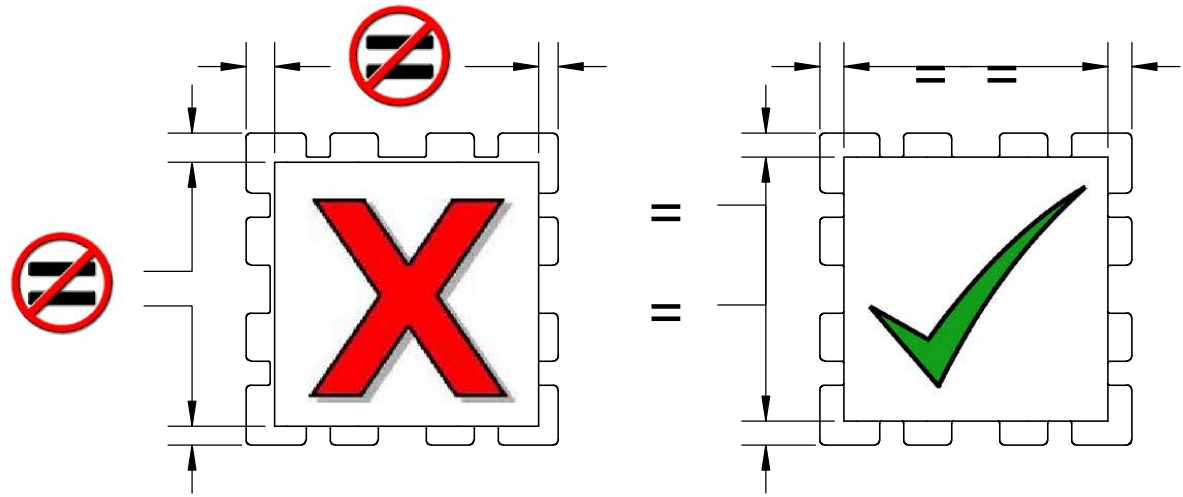
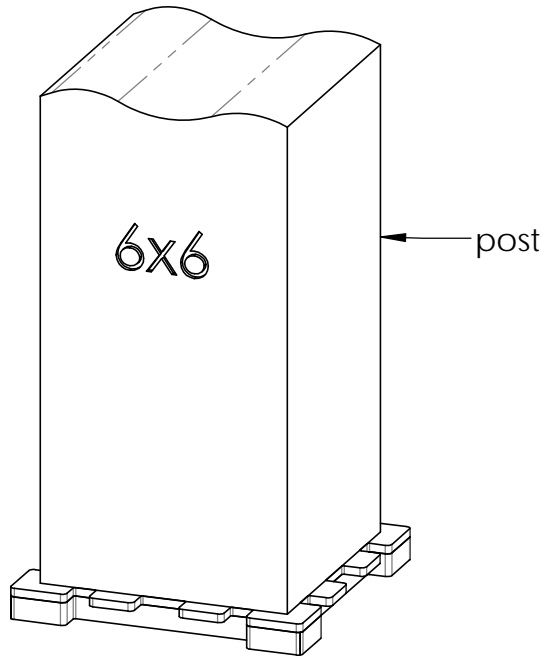
mount base to surface



choose fastener that suits your application

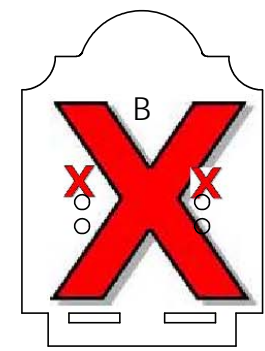
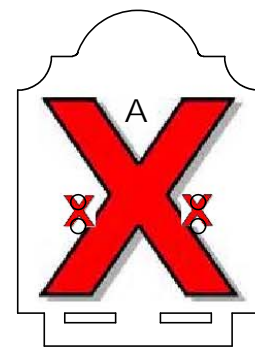
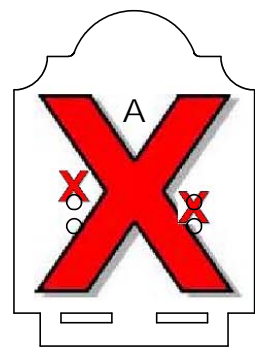
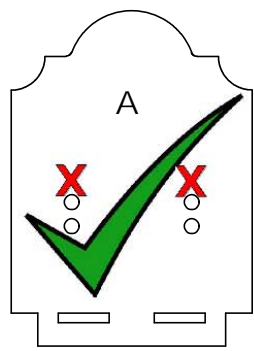
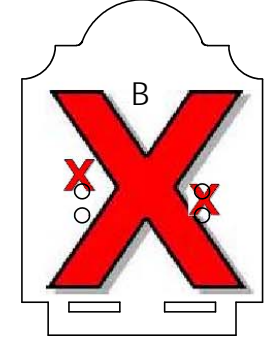
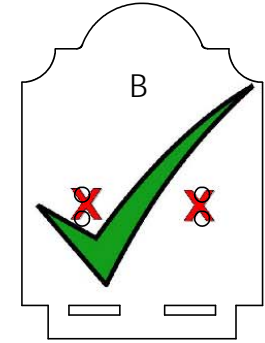
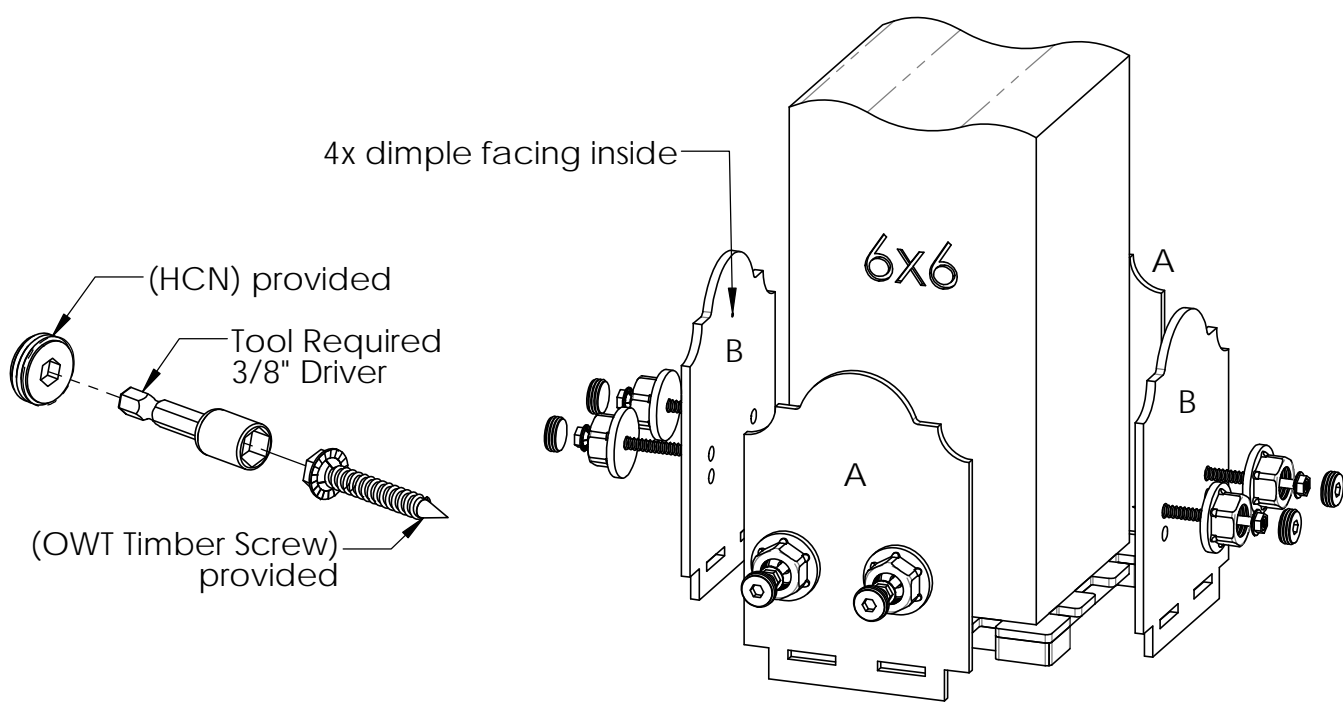
step 1

Installation Instructions, Post Base



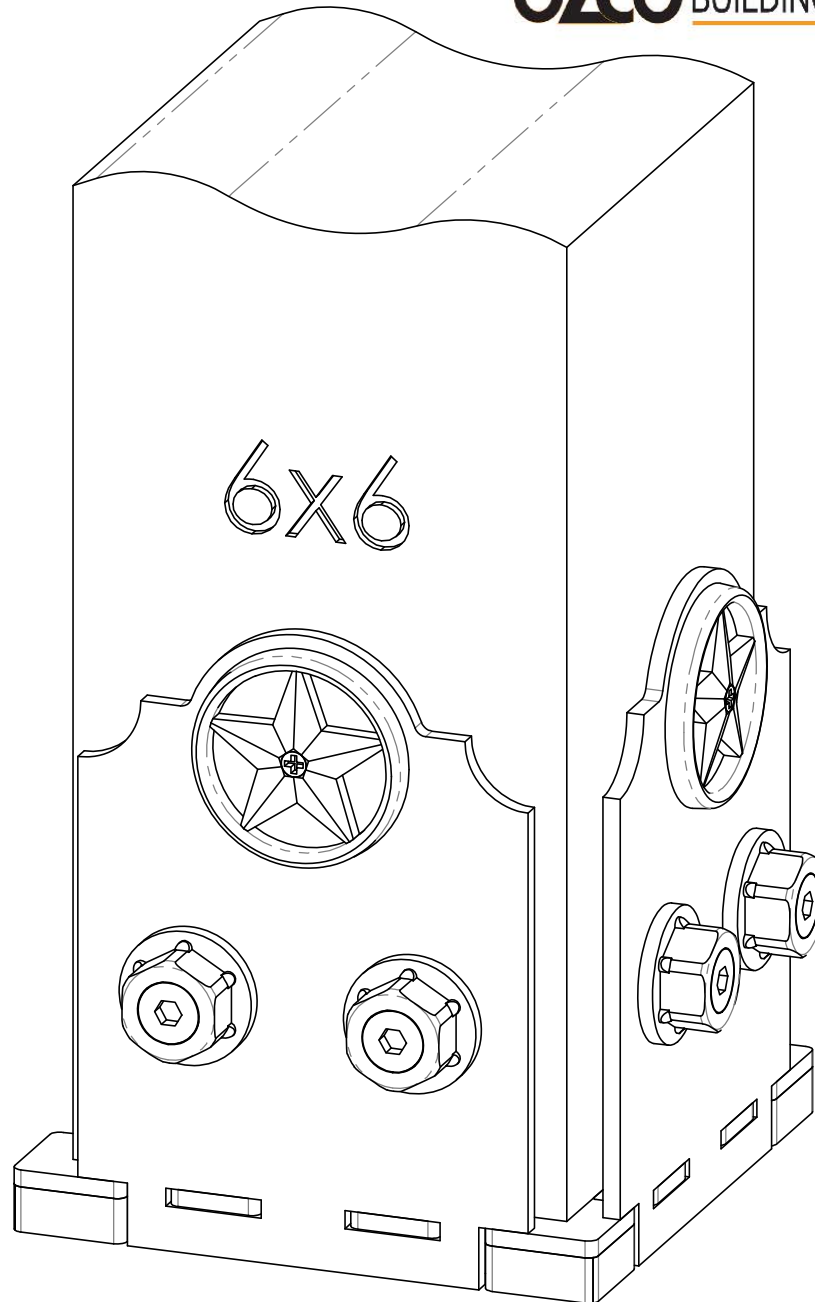
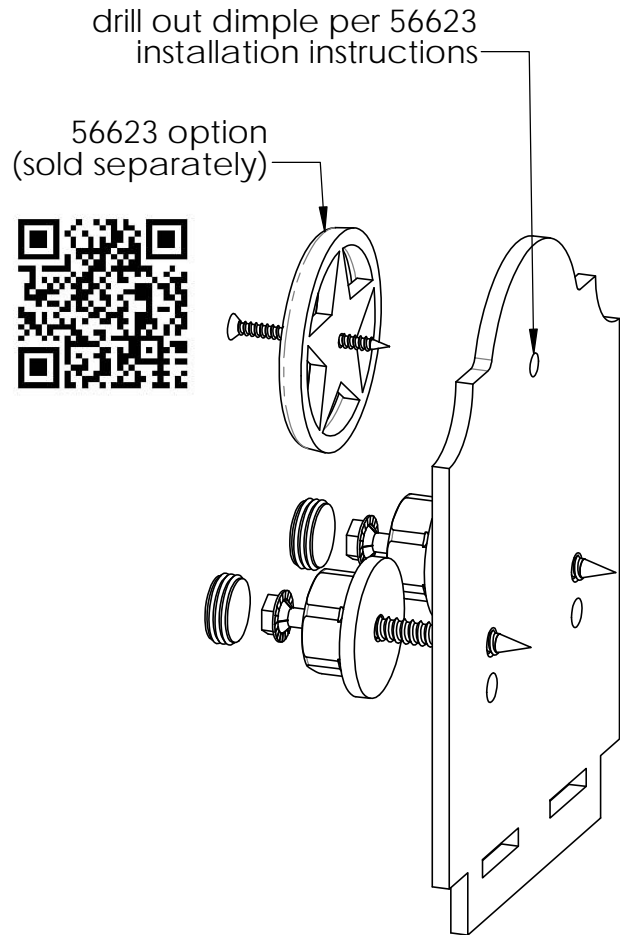
step 2

Installation Instructions, Post Base



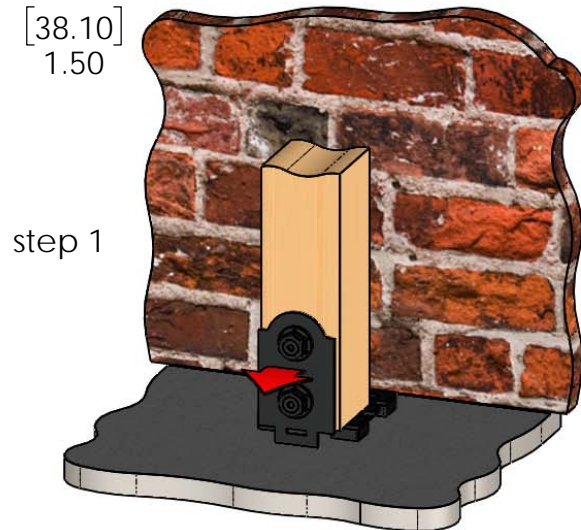
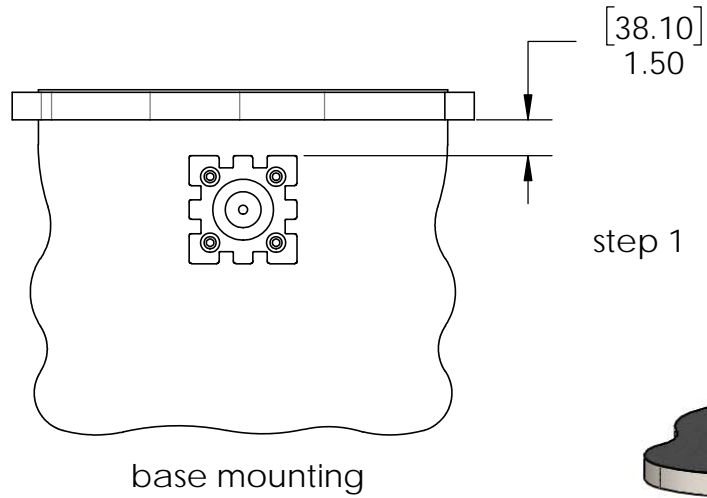
step 3

Installation Instructions, Post Base



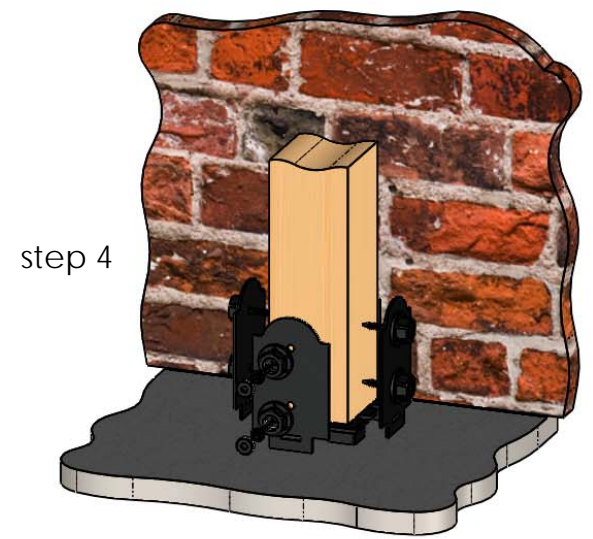
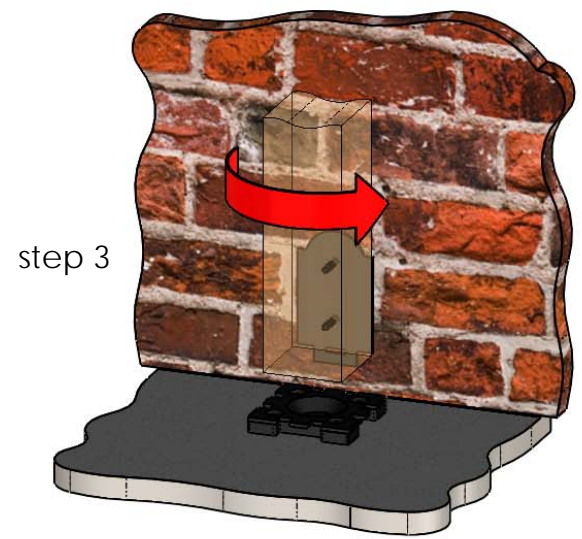
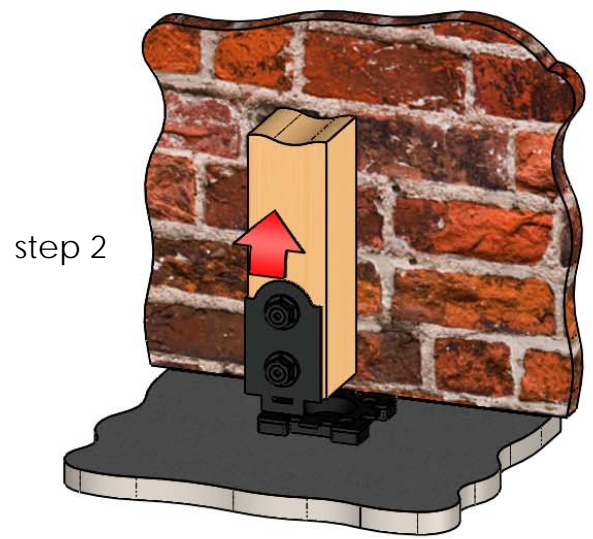
optional accessory

Installation Instructions, Post Base



- additional instructions
- center post as shown in previous steps
 - install 1 compression plate with fasteners
 - remove, reposition & reinstall post/compression plate as shown with **plate facing wall**
 - complete assembly as shown

this procedure applies to all OZCO Post Bases & Post Anchors utilizing compression plates (56607 shown)



Special Instructions-mounting next to wall