

**HOME**  
DECORATORS  
COLLECTION



Ships in 7-10 Days  
All Plywood Construction  
Soft Close Doors & Drawers  
Factory Built in the USA  
Limited Lifetime Warranty

# SPECIFICATION GUIDE

---

SEMI-CUSTOM  
KITCHEN AND BATH CABINETS

[hdckitchens.com](http://hdckitchens.com)

HOME  
DECORATORS  
COLLECTION

## Semi-Custom Kitchen & Bath Cabinetry

### Limited Lifetime Warranty

Home Decorators Collection (warrantor) warrants to the original consumer purchaser, that all products manufactured or supplied by warrantor will be free from defects in material and workmanship. This warranty is for your lifetime as long as you own the cabinetry, on product used for Residential Purposes only and is not transferable to subsequent owners. Proof of Purchase is required.

This warranty does not cover damage resulting from normal wear, accident, misuse or lack of reasonable and necessary maintenance and service; nor does it warranty the improper installation or unauthorized repair, alteration, or modification or defects in the product when the product is installed. This warranty is limited to the repair or replacement of the defective part at the sole discretion of warrantor. Warranty is limited to Home Decorators Collection branded products excluding all electrical components: Excluded items may carry separate warranties as provided directly by the manufacturer of these products.

It is our option to provide repair parts or replace with functionally equivalent product. Return of product may be required for replacements. Such repair parts or replacement shall be at warrantor's expense, but customer shall bear all other expenses, including, but not limited to, cost of removal, transportation, re-installation, communication and any special service required by customer such as, overtime labor, etc.

Natural woods vary in color and grain pattern and exhibit color change over time. Cabinets may darken or lighten with age due to exposure to certain environmental conditions including but not limited to sunlight, moisture, household cleaners, smoke, etc. These variations are considered the natural characteristics of the material and are not covered under this warranty.

In the event of a warranted product performance issue, submit request including proof of purchase documentation, specific description of warranty issue (include photos where possible) in writing to:

Warranty Department  
210 Century Boulevard  
Bartow, FL 33830

EXCEPT TO THE EXTENT PROVIDED BY APPLICABLE LAW, ALL IMPLIED WARRANTIES, INCLUDING WARRANTIES OF MERCHANTABILITY AND FITNESS FOR A PARTICULAR PURPOSE, ARE LIMITED IN DURATION TO THE SHORTER OF THE PERIOD PROVIDED BY LAW OR THE PERIOD OF THIS WARRANTY, AND UNDER NO CIRCUMSTANCE SHALL HOME DECORATORS COLLECTION BE LIABLE FOR INCIDENTAL OR CONSEQUENTIAL DAMAGES SUSTAINED IN CONNECTION WITH THE PRODUCT. THE EXPRESS WARRANTY ABOVE CONSTITUTES THE ENTIRE WARRANTY AND IS IN LIEU OF ALL OTHERS EXPRESSED OR IMPLIED.

Some states do not allow the exclusion or limitation of incidental or consequential damages, or limitation on how long an implied warranty lasts, therefore, the above limitations or exclusions may not apply to you. This warranty gives you specific legal rights, and you may also have other rights, which vary from state to state.

#### INDEMNITY

Home Decorators Collection shall not be liable for either its failure to perform or its delays in performance hereunder arising out of or resulting from causes beyond its control, including but not limited to, acts of God, acts of Representation, acts of Government, wars, fires, floods, epidemics, quarantine, strike, freight embargoes, weather or default by suppliers due to any such causes.

# Table of Contents



Door Styles ..... 2-4

Cabinet Construction ..... 5

Customization Options..... 6

Wall Cabinets & Accessories..... 7-14  
*(includes blind corners, angled corners, microwave shelf, wine rack, range hoods)*

Mullion Doors ..... 15

Base Cabinets & Accessories ..... 16-26  
*(includes cooktops, pantry pullouts, filler pullouts, tray dividers, tilt-out trays, sink liners)*

Tall Cabinets & Accessories ..... 27-31  
*(includes oven cabinets, cabinets with roll-out trays)*

Vanity Cabinets & Accessories..... 32-35  
*(includes sink bases, drawer bases, linen cabinets, wall boutique, sink base liners)*

Decorative Molding ..... 36-37  
*(includes crowns, dentil, rope, light rails, valances, spindles, corbels)*

Decorative Hardware..... 38-40  
*(includes handles, knobs & cups)*

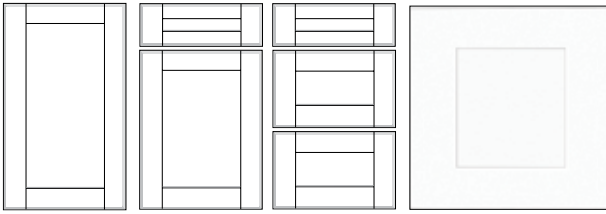
Cabinet Frame & Opening Dimensions ..... 41-43

Cabinet Front Only Availability Guide..... 44

**PLEASE NOTE:** Line drawings are artistic representations of products for general dimensioning purposes. These should not be relied upon for accurate product appearance. Please consult the website or a designer if you have any questions or specific design requirements.

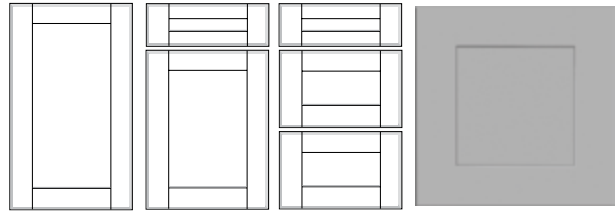
# Shaker Square Recessed Panel Door Styles

## Newport Pacific White (NPW)



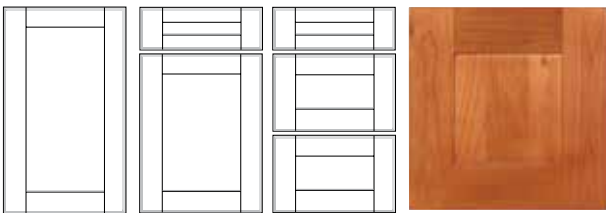
- 3/4" thick x 3" wide solid MDF Shaker style mortise and tenon framed doors with 5/8" thick solid MDF recessed center panels
- 3/4" thick x 3" wide solid MDF Shaker style mortise and tenon framed drawer fronts with 5/8" thick solid MDF recessed center panels
- Fully concealed hinges
- Available in Pacific White painted finish
- Decorative hardware required

## Tremont Pearl Gray (TPG)



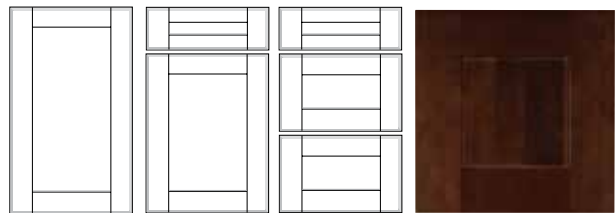
- 3/4" thick x 3" wide solid MDF Shaker style mortise and tenon framed doors with 5/8" thick solid MDF recessed center panels
- 3/4" thick x 3" wide solid MDF Shaker style mortise and tenon framed drawer fronts with 5/8" thick solid MDF recessed center panels
- Fully concealed hinges
- Available in Pearl Gray painted finish
- Decorative hardware required

## Hargrove Cinnamon (HCN)



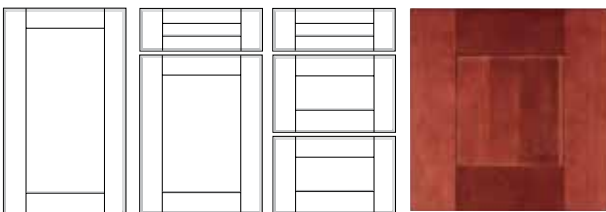
- 3/4" thick x 3" wide solid birch Shaker style mortise and tenon framed doors with 5/8" thick birch veneer over MDF recessed center panels
- 3/4" thick x 3" wide solid birch Shaker style mortise and tenon framed drawer fronts with 5/8" thick birch veneer over MDF recessed center panels
- Fully concealed hinges
- Available in Cinnamon stain finish
- Decorative hardware required

## Franklin Manganite (FMG)



- 3/4" thick x 3" wide solid birch Shaker style mortise and tenon framed doors with 5/8" thick birch veneer over MDF recessed center panels
- 3/4" thick x 3" wide solid birch Shaker style mortise and tenon framed drawer fronts with 5/8" thick birch veneer over MDF recessed center panels
- Fully concealed hinges
- Available in Manganite stain finish
- Decorative hardware required

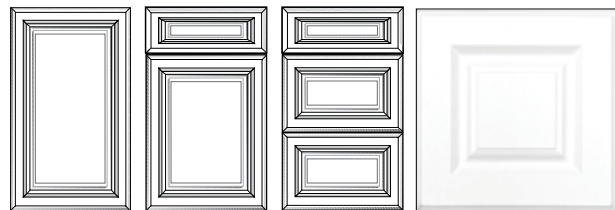
## Kingsbridge Cabernet (KCB)



- 3/4" thick x 3" wide solid birch Shaker style mortise and tenon framed doors with 5/8" thick birch veneer over MDF recessed center panels
- 3/4" thick x 3" wide solid birch Shaker style mortise and tenon framed drawer fronts with 5/8" thick birch veneer over MDF recessed center panels
- Fully concealed hinges
- Available in Cabernet stain finish
- Decorative hardware required

## Thermofoil Square Raised Panel Door Style

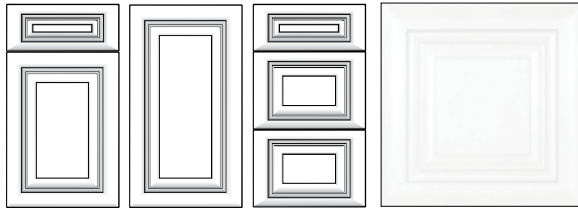
### Hallmark Arctic White (HAW)



- 3/4" thick, solid MDF raised panel vinyl clad doors
- 3/4" thick, solid MDF raised panel vinyl clad drawer fronts
- Fully concealed hinges
- Available in Arctic White vinyl
- Decorative hardware required

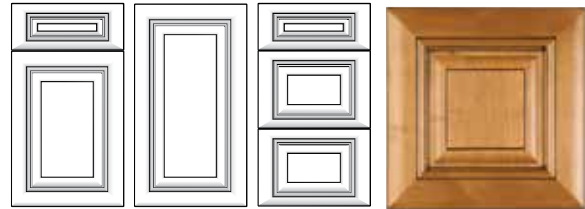
# Square Raised Panel Miter Frame Door Styles

## Brookfield Pacific White (BPW)



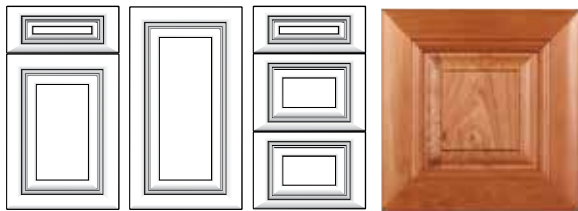
- 3/4" thick x 2 3/4" wide solid MDF 'pillow top' mitered framed doors with 5/8" thick solid MDF raised center panels
- 3/4" thick x 2 3/4" wide solid MDF 'pillow top' mitered framed drawer fronts with 5/8" thick solid MDF raised center panels
- 8" high drawer fronts feature a 2" wide mitered frame
- Fully concealed hinges
- Available in Pacific White painted finish
- Decorative hardware required

## Lewiston Toffee Glaze (LTG)



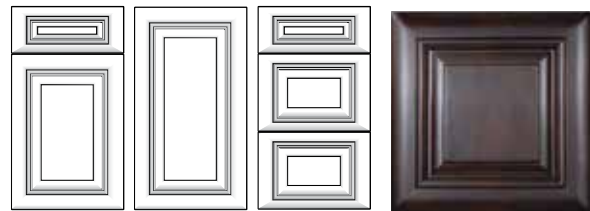
- 3/4" thick x 2 3/4" wide solid birch 'pillow top' mitered framed doors with 5/8" thick solid birch raised center panels
- 3/4" thick x 2 3/4" wide solid birch 'pillow top' mitered framed drawer fronts with 5/8" thick solid birch raised center panels
- 8" high drawer fronts feature a 2" wide mitered frame
- Fully concealed hinges
- Available in hand-brushed Toffee Glaze finish
- Decorative hardware required

## Laguna Cinnamon (LCN)



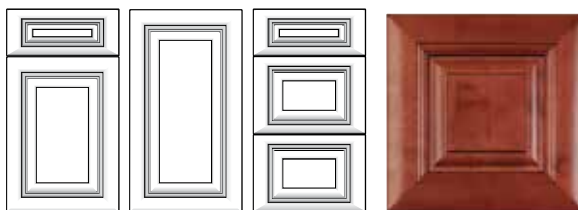
- 3/4" thick x 2 3/4" wide solid birch 'pillow top' mitered framed doors with 5/8" thick solid birch raised center panels
- 3/4" thick x 2 3/4" wide solid birch 'pillow top' mitered framed drawer fronts with 5/8" thick solid birch raised center panels
- 8" high drawer fronts feature a 2" wide mitered frame
- Fully concealed hinges
- Available in Cinnamon stain finish
- Decorative hardware required

## Roxbury Manganite (RMG)



- 3/4" thick x 2 3/4" wide solid birch 'pillow top' mitered framed doors with 5/8" thick solid birch raised center panels
- 3/4" thick x 2 3/4" wide solid birch 'pillow top' mitered framed drawer fronts with 5/8" thick solid birch raised center panels
- 8" high drawer fronts feature a 2" wide mitered frame
- Fully concealed hinges
- Available in Manganite stain finish
- Decorative hardware required

## Lyndhurst Cabernet (LCB)



- 3/4" thick x 2 3/4" wide solid birch 'pillow top' mitered framed doors with 5/8" thick solid birch raised center panels
- 3/4" thick x 2 3/4" wide solid birch 'pillow top' mitered framed drawer fronts with 5/8" thick solid birch raised center panels
- 8" high drawer fronts feature a 2" wide mitered frame
- Fully concealed hinges
- Available in Cabernet stain finish
- Decorative hardware required

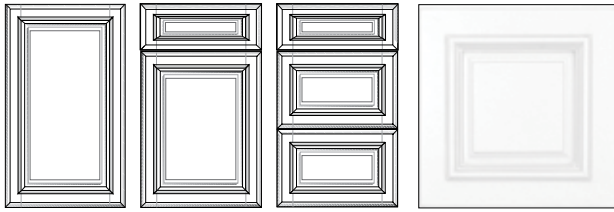
FULL Overlay cabinetry is constructed from various pieces of solid wood and wood veneers. Differences in grain pattern and color should be expected. Color differences in wood are the result of variations in minerals found in the soil native to the tree's origin. Absorption of these minerals will vary by tree or parts of said tree. In addition, color changes can be experienced due to different exposure to light. All species of wood will display characteristics such as knots, pinholes, sap runs, mineral streaks and darkening with age. It is the natural beauty of wood to exhibit these characteristics and they will be present throughout your cabinetry.

Our **Toffee Glaze** finish features hand applied glaze applied over the base stain which accentuates the door and drawer front profiles. This glazing, combined with occasional fly specks, dents, drips and runs is random and intentional in design to mimic the look of distressed furniture.

The **Arctic White**, **Bronze Glaze**, **Pacific White** and **Pearl Gray** finished product features solid wood painted face frames. As with any painted wood surface, expansion and contraction with changes in climate may cause fractures in the paint surface at joints. This is an acceptable characteristic and will vary based on climate conditions. In addition, there may be a slight color shift over time due to continued exposure to both natural and artificial light.

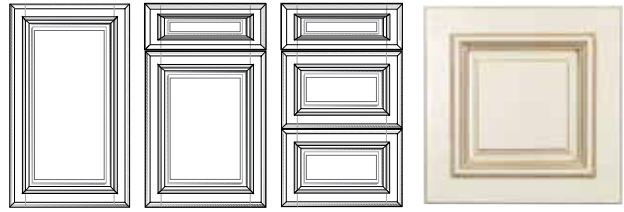
# Square Raised Panel with Applied Molding Door Styles

## Coventry Pacific White (CPW)



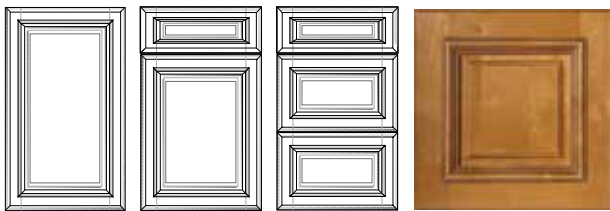
- 2-3/8" wide x 3/4" thick solid MDF mortise and tenon framed doors with 5/8" thick solid MDF raised center panels and 1" wide applied mitered MDF accent molding
- 2-3/8" wide x 3/4" thick solid MDF mortise and tenon framed drawer fronts with 5/8" thick solid MDF raised center panels and 1" wide applied mitered MDF accent molding
- Fully concealed hinges
- Available in Pacific White painted finish
- Decorative hardware required

## Holden Bronze Glaze (HBG)



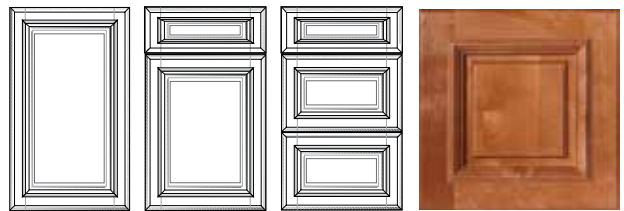
- 2-3/8" wide x 3/4" thick solid MDF mortise and tenon framed doors with 5/8" thick solid MDF raised center panels and 1" wide applied mitered MDF accent molding
- 2-3/8" wide x 3/4" thick solid MDF mortise and tenon framed drawer fronts with 5/8" thick solid MDF raised center panels and 1" wide applied mitered MDF accent molding
- Fully concealed hinges
- Available in Bronze Glaze finish
- Decorative hardware required

## Clevedon Toffee Glaze (CTG)



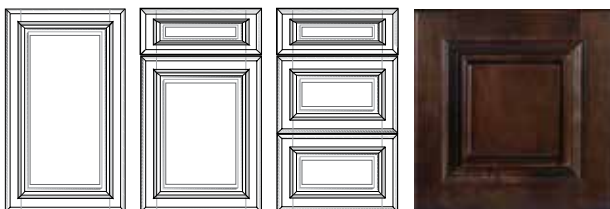
- 2-3/8" wide x 3/4" thick solid birch mortise and tenon framed doors with 5/8" thick solid birch raised center panels and 1" wide applied mitered birch accent molding
- 2-3/8" wide x 3/4" thick solid birch mortise and tenon framed drawer fronts with 5/8" thick solid birch raised center panels and 1" wide applied mitered birch accent molding
- Fully concealed hinges
- Available in hand-brushed Toffee Glaze stain finish
- Decorative hardware required

## Dartmouth Cinnamon (DCN)



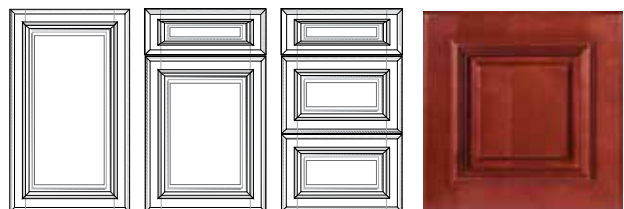
- 2-3/8" wide x 3/4" thick solid birch mortise and tenon framed doors with 5/8" thick solid birch raised center panels and 1" wide applied mitered birch accent molding
- 2-3/8" wide x 3/4" thick solid birch mortise and tenon framed drawer fronts with 5/8" thick solid birch raised center panels and 1" wide applied mitered birch accent molding
- Fully concealed hinges
- Available in Cinnamon stain finish
- Decorative hardware required

## Somerset Manganite (SMG)



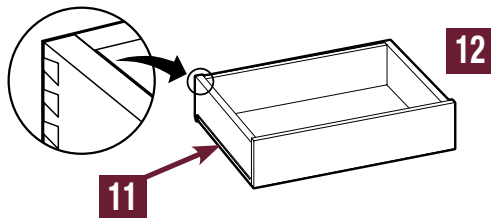
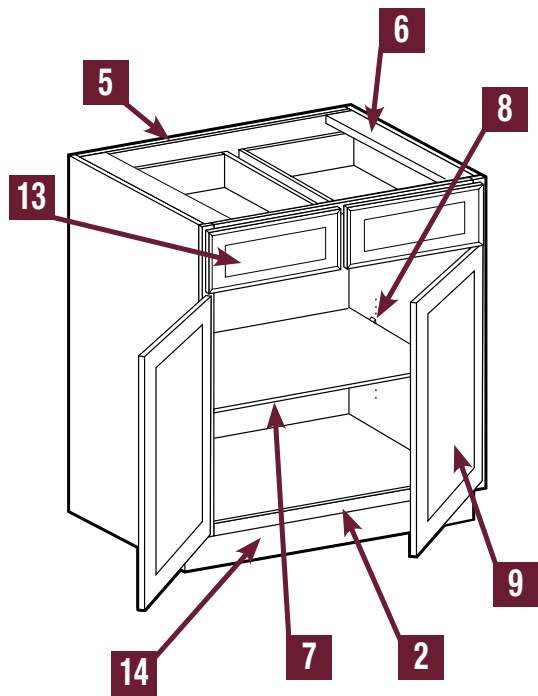
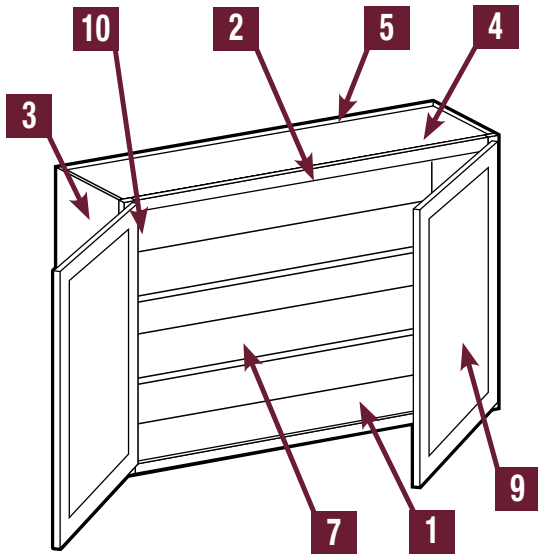
- 2-3/8" wide x 3/4" thick solid birch mortise and tenon framed doors with 5/8" thick solid birch raised center panels and 1" wide applied mitered birch accent molding
- 2-3/8" wide x 3/4" thick solid birch mortise and tenon framed drawer fronts with 5/8" thick solid birch raised center panels and 1" wide applied mitered birch accent molding
- Fully concealed hinges
- Available in Manganite stain finish
- Decorative hardware required

## Plymouth Cabernet (PCB)



- 2-3/8" wide x 3/4" thick solid birch mortise and tenon framed doors with 5/8" thick solid birch raised center panels and 1" wide applied mitered birch accent molding
- 2-3/8" wide x 3/4" thick solid birch mortise and tenon framed drawer fronts with 5/8" thick solid birch raised center panels and 1" wide applied mitered birch accent molding
- Fully concealed hinges
- Available in Cabernet stain finish
- Decorative hardware required

# Full Overlay Cabinet Construction



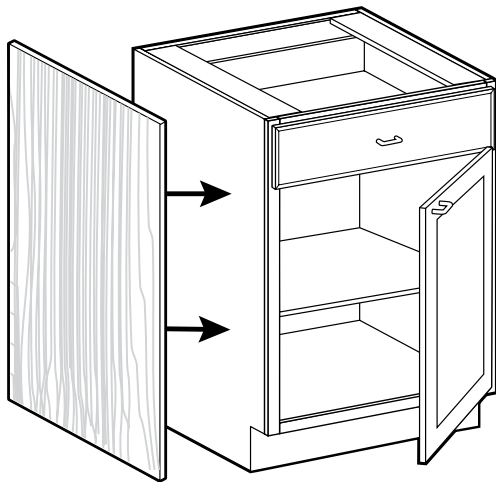
<b>1</b>	<b>INTERIOR</b>	Light stained birch wood veneer provides a durable, wipe clean finish
<b>2</b>	<b>FACE FRAME</b>	1½" wide x ¾" thick solid hardwood, doweled and joint-glued
<b>3</b>	<b>END PANELS</b>	1/2" thick CARB2 plywood with natural birch wood veneer interior and raw veneer exterior. <b>EXPOSED SIDES REQUIRE FINISHED END PANELS.</b>
<b>4</b>	<b>FLOOR &amp; CEILING</b>	1/2" thick CARB2 plywood with natural birch wood veneer both sides captured by end panels.
<b>5</b>	<b>BACK PANELS</b>	1/2" thick CARB2 plywood with natural birch wood veneer interior and raw veneer exterior.
<b>6</b>	<b>"I-BEAM" SUPPORTS</b>	1/2" thick CARB2 plywood, full depth braces provide stability and support for countertop attachment.
<b>7</b>	<b>ADJUSTABLE SHELVES</b>	¾" thick CARB2 plywood with natural birch wood veneer both sides with matching edgebanding. Base and wall adjustable shelves are full depth.
<b>8</b>	<b>SHELF SUPPORTS</b>	Clear, high strength plastic with locking top tab to prevent shelf tip. Provides easy shelf adjustment.
<b>9</b>	<b>DOORS</b>	Stylish, full-overlay doors available in stained hardwoods or MDF. See pages 2-4 for details.
<b>10</b>	<b>HINGES</b>	Fully concealed, Soft Close 110° opening featuring multiple adjustments for ease of alignment.
<b>11</b>	<b>RUNNERS/GLIDES</b>	Drawers feature smooth ball bearing, full extension concealed runners with shock that engages when drawer is 1" from closing and applies resistance for soft closing; interior roll out trays have epoxy coated, under-mount suspension system with a smooth closing operation. Both withstand a 75 lb. load capacity.
<b>12</b>	<b>DRAWERS &amp; ROLL-OUT TRAYS</b>	5/8" thick solid birch hardwood, four-sided dovetail with ¼" thick captured plywood floor, all finished with clear top coat to coordinate with cabinet interior.
<b>13</b>	<b>DRAWER FRONTS</b>	Stylish full overlay drawer fronts available in solid hardwood or MDF. See pages 2-4 for details.
<b>14</b>	<b>INTEGRAL TOE KICK</b>	1/2" thick plywood secured between end panels. Provides solid backing for installation of Matching Toe Kick (MTK8) or other materials such as ceramic, vinyl, etc.



# Customization Options

## FACTORY FINISHED ENDS

- Cabinets are manufactured with an unfinished wood veneer exterior. Exposed sides (visible once installation is complete) require a color matched end panel.
- Factory Finished Ends are available for all standard cabinets up to 90" tall
- Specify Left Side, Right Side or Both
- Finished Ends are wood veneer plywood, in a color matched stain. Painted finishes are an MDF core.



### ALTERNATIVE OPTIONS:

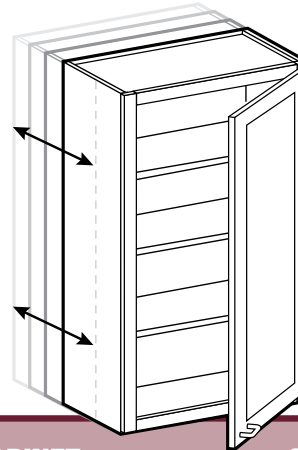
V-Groove Skin - Order separately for field installation  
 Matching End Panel - Order separately for field installation

**NOTE: Alternative Options cannot be used in conjunction with Factory Finished Ends**

## CUSTOM DEPTH



- Available on standard cabinet types in 1" depth increments

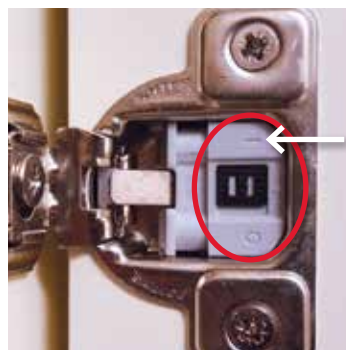


CABINET TYPE	CUSTOM DEPTH MIN-MAX
12" DEEP WALL	5" to 15"
24" DEEP WALL	16" to 23"
* STANDARD BASE	9" to 23"
BASE DRAWER	15" to 23"
TALL UTILITY/LINEN	9" to 23"

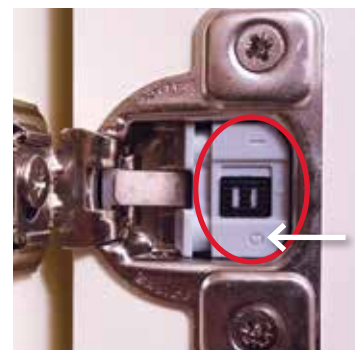
\* Base cabinets with drawers that are customized from 15" to 23" deep will include working drawers. 9" to 14" deep cabinets will have no drawer and a false drawer front.

## SOFT CLOSE HINGES

- Cabinet hinges feature a Soft Close function
- Some styles feature doors that are lighter in weight, and the Soft Close function may need to be deactivated (OFF) in one hinge to help the door close completely
- To deactivate, change the position of the switch located in the cup of the door plate



The Soft Close feature is ON when the switch is towards the "-" symbol.



The Soft Close feature is OFF when the switch is towards the "O" symbol.



## WALL CABINET CODING

### STANDARD (12" DEEP)

**W 30 30**

↑ Cabinet Code    ↑ Cabinet Width    ↑ Cabinet Height

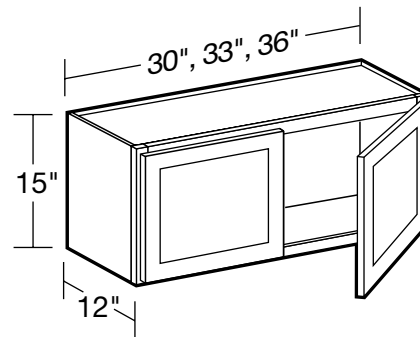
### REFRIGERATOR (24" DEEP)

**W 36 24 18**

↑ Cabinet Code    ↑ Cabinet Width    ↑ Cabinet Depth    ↑ Cabinet Height

- Standard wall cabinets are 12" deep. Refrigerator wall cabinets are 24" deep.
- Cabinet depth does not include door thickness
- Products are available in all door styles unless stated otherwise
- Standard cabinet exterior is unfinished veneer, exposed sides require Finished Ends or Matching End Panels

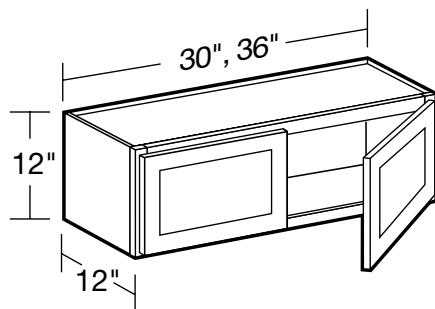
### 15" High Double Door



W3015  
W3315  
W3615

- No adjustable shelf
- **CUSTOM DEPTH: 5" to 15" deep**

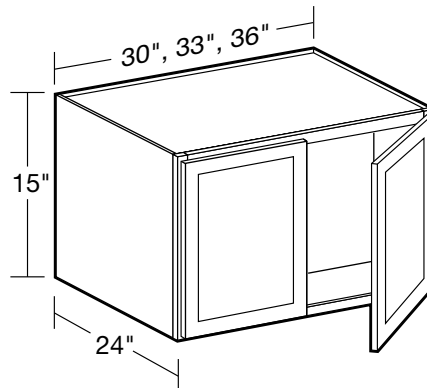
### 12" High Double Door



W3012  
W3612

- No adjustable shelf
- **CUSTOM DEPTH: 5" to 15" deep**

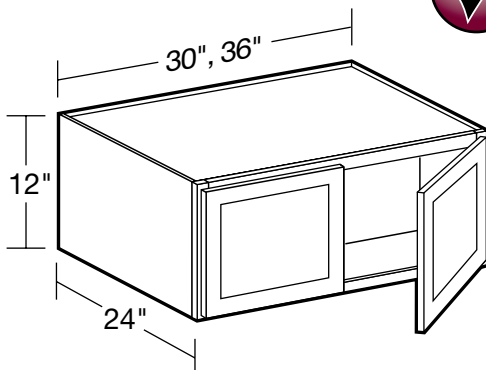
### 15" High x 24" Deep Double Door



W302415  
W332415  
W362415

- No adjustable shelf
- Must be installed between two cabinets, cabinet and wall, or supported by refrigerator panels (RP)
- **CUSTOM DEPTH: 16" to 23" deep**

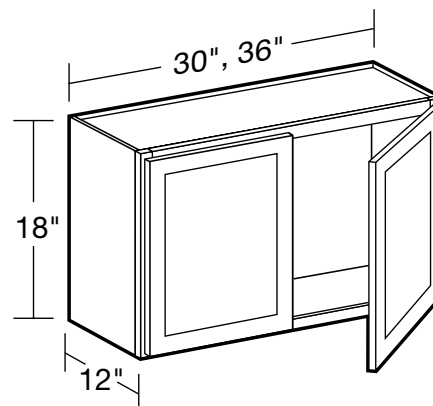
### 12" High x 24" Deep Double Door



W302412  
W362412

- No adjustable shelf
- Must be installed between two cabinets, cabinet and wall, or supported by refrigerator panels (RP)
- **CUSTOM DEPTH: 16" to 23" deep**

### 18" High Double Door

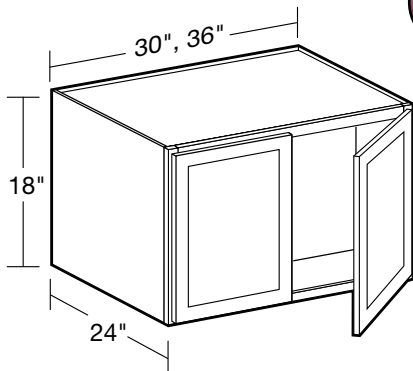


W3018  
W3618

- No adjustable shelf
- **CUSTOM DEPTH: 5" to 15" deep**

# Wall Cabinets

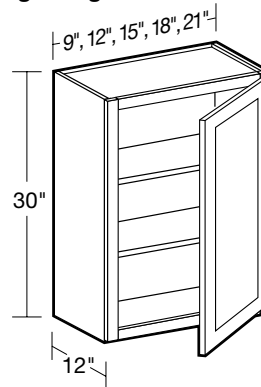
## 18" High x 24" Deep Double Door



**CUSTOM DEPTH**  
W302418  
W362418

- No adjustable shelf
- Must be installed between two cabinets, cabinet and wall, or supported by refrigerator panels (RP)
- **CUSTOM DEPTH: 16" to 23" deep**

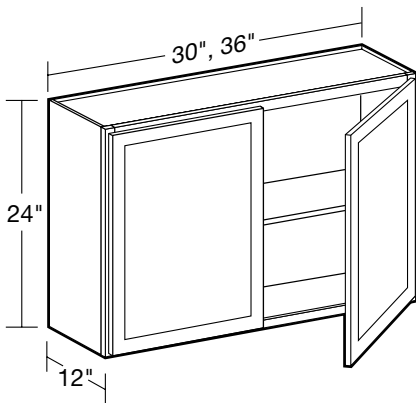
## 30" High Single Door



**CUSTOM DEPTH**  
SPECIFY  
RIGHT or LEFT HINGED  
W0930  
\*W1230  
\*W1530  
\*W1830  
W2130

- Two adjustable shelves
- \* Mullion doors available in select styles. Consult availability guide on page 14.
- **CUSTOM DEPTH: 5" to 15" deep**

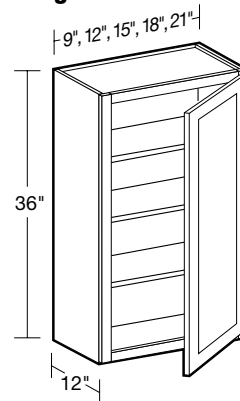
## 24" High Double Door



**CUSTOM DEPTH**  
W3024  
W3624

- One adjustable shelf
- **CUSTOM DEPTH: 5" to 15" deep**

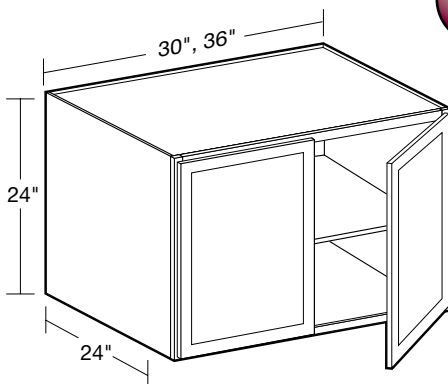
## 36" High Single Door



**CUSTOM DEPTH**  
SPECIFY  
RIGHT or LEFT HINGED  
W0936  
\*W1236  
\*W1536  
\*W1836  
W2136

- Three adjustable shelves
- \* Mullion doors available in select styles. Consult availability guide on page 14.
- **CUSTOM DEPTH: 5" to 15" deep**

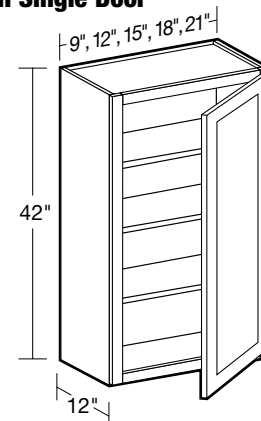
## 24" High x 24" Deep Double Door



**CUSTOM DEPTH**  
W302424  
W362424

- One adjustable shelf
- Must be installed between two cabinets, cabinet and wall, or supported by refrigerator panels (RP)
- **CUSTOM DEPTH: 16" to 23" deep**

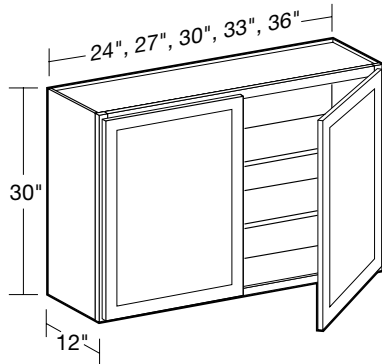
## 42" High Single Door



**CUSTOM DEPTH**  
SPECIFY  
RIGHT or LEFT HINGED  
W0942  
\*W1242  
\*W1542  
\*W1842  
W2142

- Three adjustable shelves
- \* Mullion doors available in select styles. Consult availability guide on page 14.
- **CUSTOM DEPTH: 5" to 15" deep**

## 30" High Double Door

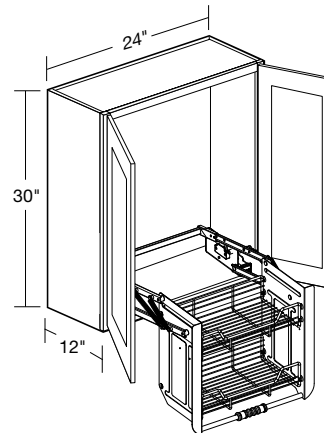


**CUSTOM DEPTH**

\*W2430  
W2730  
\*W3030  
W3330  
\*W3630

- Two adjustable shelves
- \* Mullion doors available in select styles. Consult availability guide on page 14.
- **CUSTOM DEPTH: 5" to 15" deep**

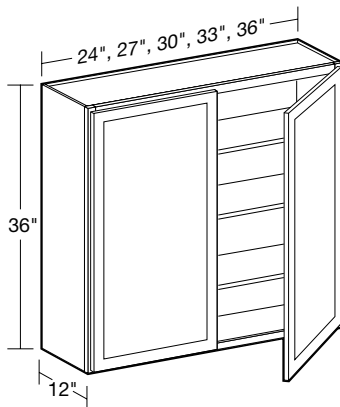
## 30" High Double Door with Pull Down Chrome Shelves



**W2430-PDSCR**

- Field install at desired height in cabinet
- Two tier chrome shelves lowers 10" and brings items forward 14 $\frac{3}{4}$ "
- Gas assisted mechanism smoothly raises and lowers unit
- Locking arm feature holds shelf in down position

## 36" High Double Door

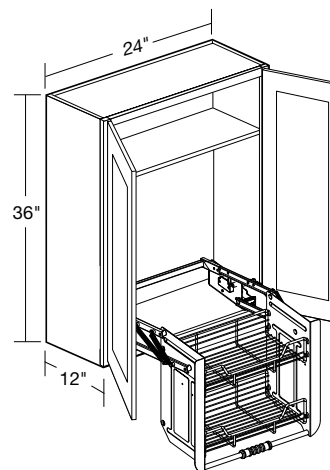


**CUSTOM DEPTH**

\*W2436  
W2736  
\*W3036  
W3336  
\*W3636

- Three adjustable shelves
- \* Mullion doors available in select styles. Consult availability guide on page 14.
- **CUSTOM DEPTH: 5" to 15" deep**

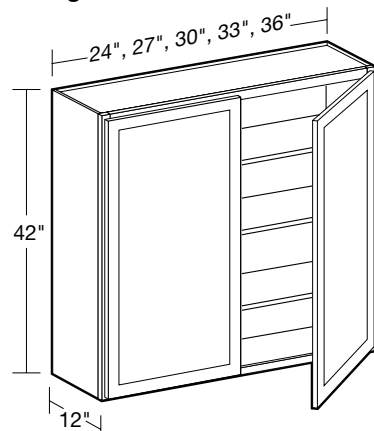
## 36" High Double Door with Pull Down Chrome Shelves



**W2436-PDSCR**

- Field install at desired height in cabinet
- Two tier chrome shelves lowers 10" and brings items forward 14 $\frac{3}{4}$ "
- Gas assisted mechanism smoothly raises and lowers unit
- Locking arm feature holds shelf in down position

## 42" High Double Door

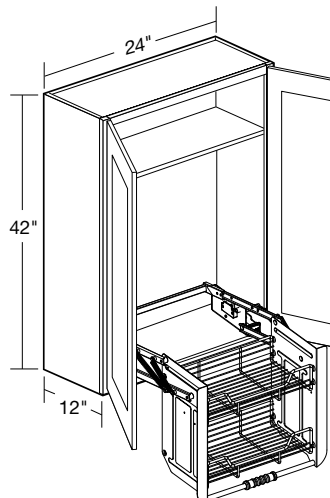


**CUSTOM DEPTH**

\*W2442  
W2742  
\*W3042  
W3342  
\*W3642

- Three adjustable shelves
- \* Mullion doors available in select styles. Consult availability guide on page 14.
- **CUSTOM DEPTH: 5" to 15" deep**

## 42" High Double Door with Pull Down Chrome Shelves

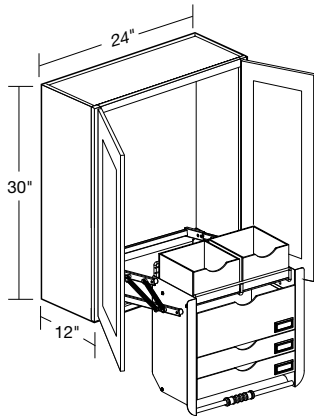


**W2442-PDSCR**

- Field install at desired height in cabinet
- Two tier chrome shelves lowers 10" and brings items forward 14 $\frac{3}{4}$ "
- Gas assisted mechanism smoothly raises and lowers unit
- Locking arm feature holds shelf in down position

# Wall Cabinets

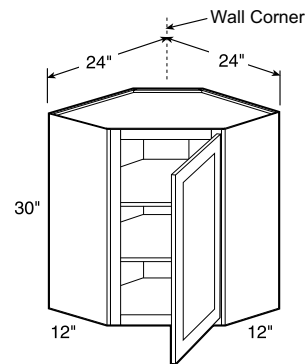
## 30" High Double Door with Pull Down Frosted Shelves



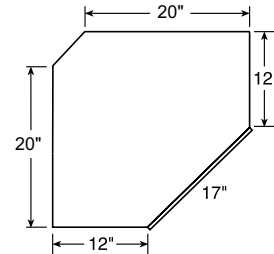
**W2430-PDSFR**

- Field install at desired height in cabinet
- Features 5 removable acrylic storage bins
- Lowers items 10" and brings forward 14<sup>3</sup>/<sub>4</sub>"
- Gas assisted mechanism smoothly raises and lowers unit

## 30" High Wall Angle

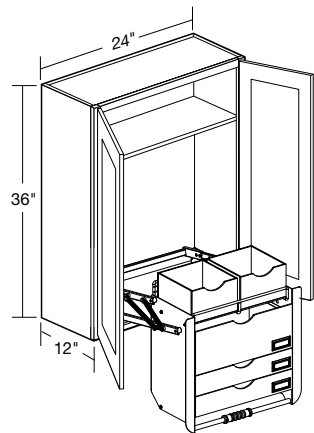


**SPECIFY  
RIGHT or LEFT HINGED  
\*WA2430**



- Two adjustable shelves
- \* Mullion doors available in select styles. Consult availability guide on page 14.
- Clip corner back provides clearance for installation

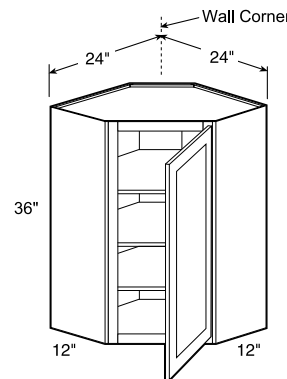
## 36" High Double Door with Pull Down Frosted Shelves



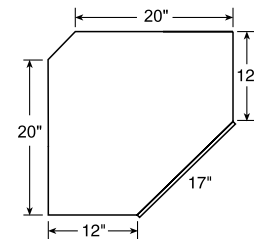
**W2436-PDSFR**

- Field install at desired height in cabinet
- Features 5 removable acrylic storage bins
- Lowers items 10" and brings forward 14<sup>3</sup>/<sub>4</sub>"
- Gas assisted mechanism smoothly raises and lowers unit

## 36" High Wall Angle

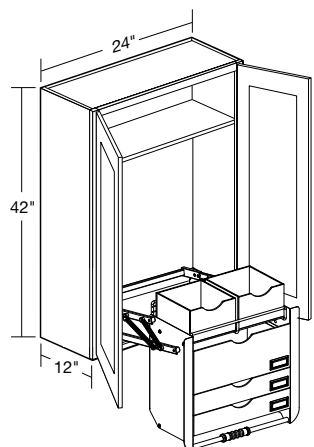


**SPECIFY  
RIGHT or LEFT HINGED  
\*WA2436**



- Three adjustable shelves
- \* Mullion doors available in select styles. Consult availability guide on page 14.
- Clip corner back provides clearance for installation

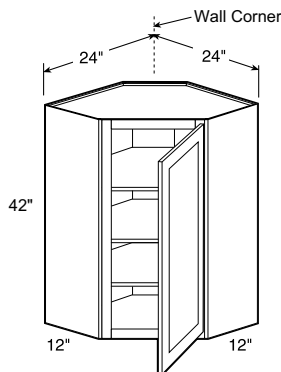
## 42" High Double Door with Pull Down Frosted Shelves



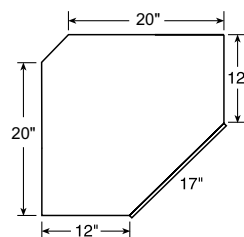
**W2442-PDSFR**

- Field install at desired height in cabinet
- Features 5 removable acrylic storage bins
- Lowers items 10" and brings forward 14<sup>3</sup>/<sub>4</sub>"
- Gas assisted mechanism smoothly raises and lowers unit

## 42" High Wall Angle



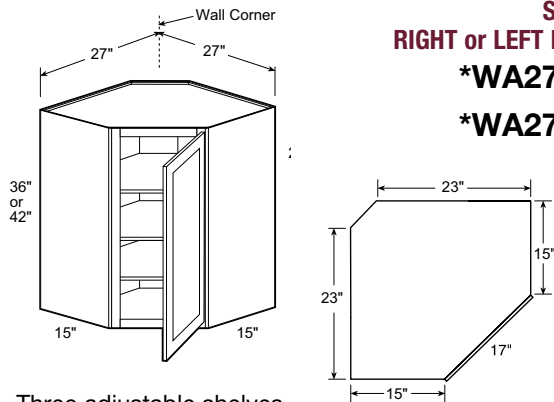
**SPECIFY  
RIGHT or LEFT HINGED  
\*WA2442**



- Three adjustable shelves
- \* Mullion doors available in select styles. Consult availability guide on page 14.
- Clip corner back provides clearance for installation

# Wall Cabinets

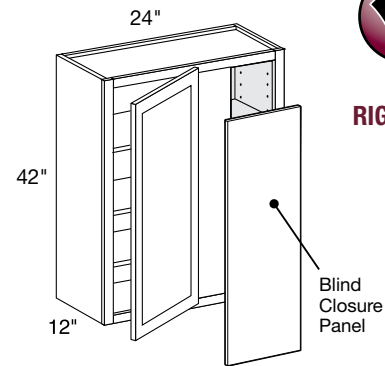
## 36" and 42" High x 15" Deep Wall Angle



**SPECIFY  
RIGHT or LEFT HINGED**  
\*WA271536  
\*WA271542

- Three adjustable shelves
- \* Mullion doors available in select styles. Consult availability guide on page 14.
- Clip corner back provides clearance for installation

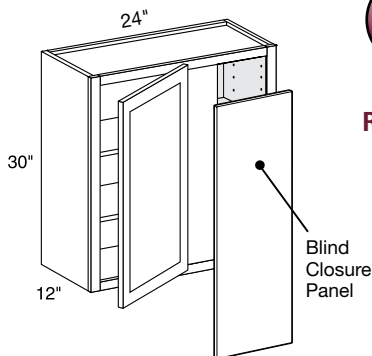
## 42" High Wall Blind Corner



**CUSTOM DEPTH**  
**SPECIFY  
RIGHT or LEFT BLIND**  
WBCU2742

- Three adjustable shelves
- Indicate R or L for blind side (right shown)
- Cabinet can be pulled for exact fit (see installation chart)
- 3" filler & 1/8" blind closure panel included
- **CUSTOM DEPTH: 5" to 15" deep**

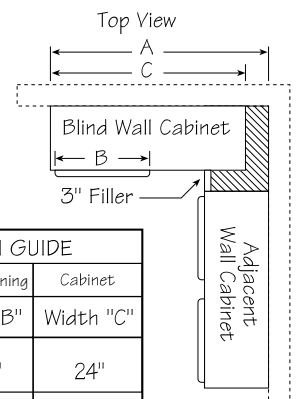
## 30" High Wall Blind Corner



**CUSTOM DEPTH**  
**SPECIFY  
RIGHT or LEFT BLIND**  
WBCU2730

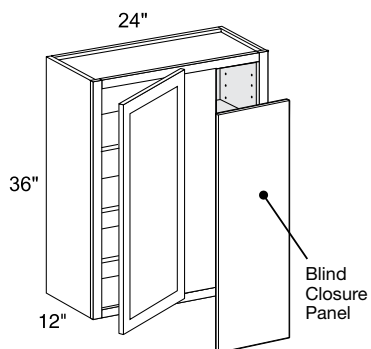
- Two adjustable shelves
- Indicate R or L for blind side (right shown)
- Cabinet can be pulled for exact fit (see installation guide)
- 3" filler & 1/8" blind closure panel included
- **CUSTOM DEPTH: 5" to 15" deep**

## Blind Corner Installation Guide



BLIND WALL INSTALLATION GUIDE				
Cabinet	Wall Space "A"		Frame Opening	Cabinet
	Min	Max	Width "B"	Width "C"
WBCU2730	25"	30"	8 <sup>7</sup> / <sub>8</sub> "	24"
WBCU2736	25"	30"	8 <sup>7</sup> / <sub>8</sub> "	24"
WBCU2742	25"	30"	8 <sup>7</sup> / <sub>8</sub> "	24"

## 36" High Wall Blind Corner

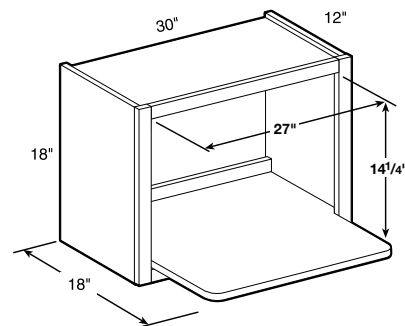


**CUSTOM DEPTH**  
**SPECIFY  
RIGHT or LEFT BLIND**  
WBCU2736

- Three adjustable shelves
- Indicate R or L for blind side (right shown)
- Cabinet can be pulled for exact fit (see installation guide)
- 3" filler & 1/8" blind closure panel included
- **CUSTOM DEPTH: 5" to 15" deep**

## Wall Microwave Shelf

WMS301818

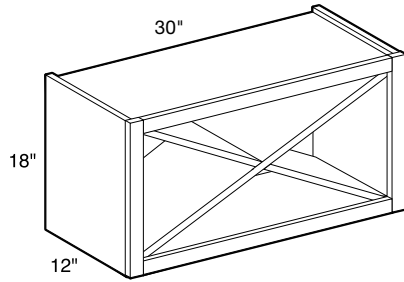


- Matching interior and exterior standard
- Must be installed between two cabinets or cabinet and wall
- Cannot be installed against Wall Angle cabinet (WA) or Wall Blind Corner Unit (WBCU)

# Wall Cabinets

## 12" Deep Wine Rack

**WRX3018**



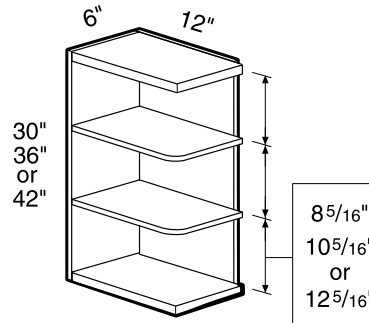
- Matching interior and exterior standard
- 3/4" thick solid wood "X" shelf
- Must be installed between two cabinets or cabinet and wall

## 12" Deep Wall End Open Shelf

**WEOS630**

**WEOS636**

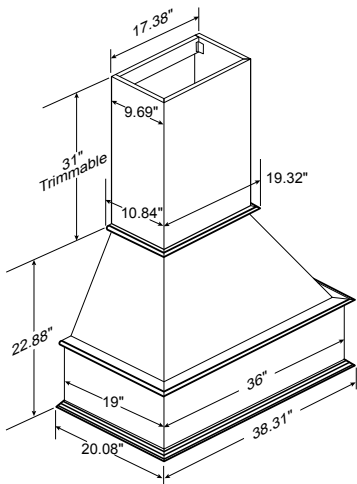
**WEOS642**



- Reversible, may be installed left or right
- 1/4" thick wood veneer side is cut back to fit behind frame of adjacent cabinet
- 1 1/4" thick solid wood square corner top and bottom shelves
- 3/4" thick solid wood intermediate shelves

## Range Hood Combo - Straight Valance

**WRHC36S**



- Available 36" width
- Includes Hood, Chimney, Hood Liner and Blower
- Chimney is trimmable to adjust the height
- Blower is 390 CFM, 6.0 sones, enclosed light
- Clearance of 3" on each side is recommended
- Available in CN, MG, PW and PG only

## Filler Strips

**FS30**

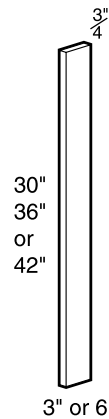
**FS36**

**FS42**

**FS630**

**FS636**

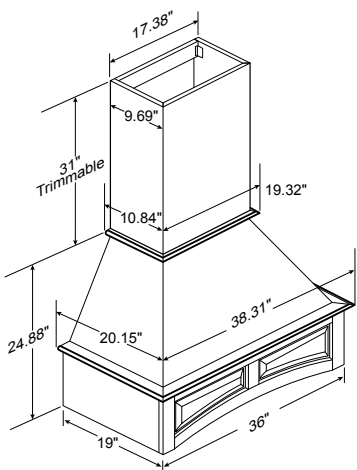
**FS642**



- 3/4" thick solid wood
- Face and all edges finished

## Range Hood Combo - Arched Valance

**WRHC36A**

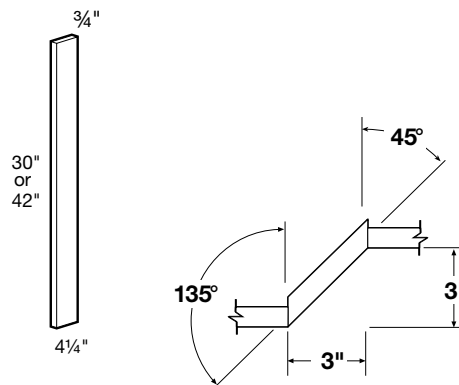


- Available in 36" width
- Includes Hood, Chimney, Hood Liner and Blower
- Chimney is trimmable to adjust the height
- Blower is 390 CFM, 6.0 sones, enclosed light
- Clearance of 3" on each side is recommended
- Available in BG, CB, TG and PW only

## Angle Fillers

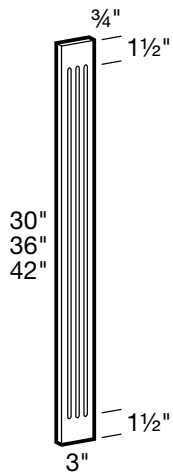
**AF330**

**AF342**



- 3/4" thick solid wood
- Face and all edges finished
- Available in all styles except PG

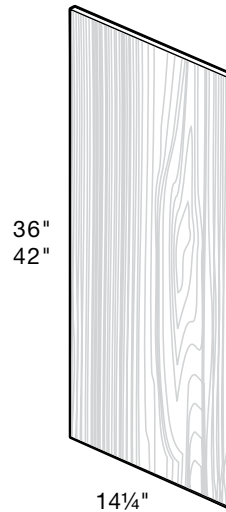
## Fluted Fillers



- 3/4" thick solid wood
- Face and all edges finished
- May be trimmed 1/2" each side
- Available in all styles except PG

**FF330**  
**FF336**  
**FF342**

## 15" Wide Wall Skin

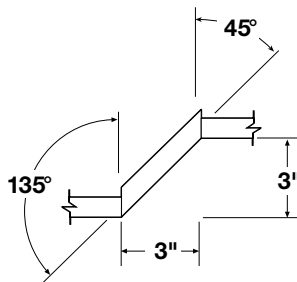
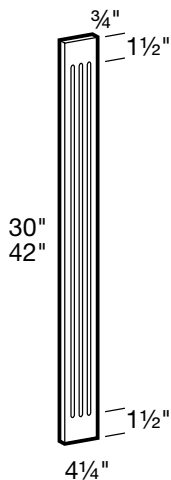


- 3/16" thick
- Field installed
- Matching veneer plywood exterior for wood finishes
  - BG, CB, CN, MG, TG
- Matching painted MDF exterior for painted finishes
  - AW, PG, PW

**NOTE: Cannot be used in conjunction with Factory Finished Ends**

**WSK1536**  
**WSK1542**

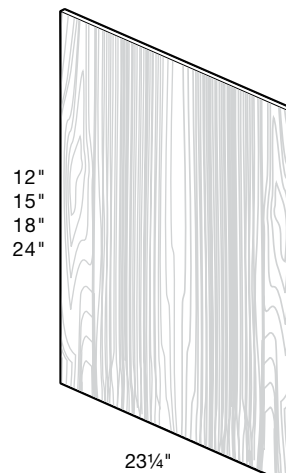
## Angle Fluted Fillers



- 3/4" thick solid wood
- Face and all edges finished
- Available in all styles except PG

**AFF330**  
**AFF342**

## 24" Wide Wall Skin

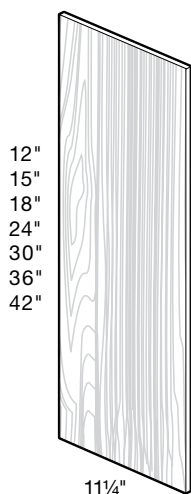


- 3/16" thick
- Field installed
- Matching veneer plywood exterior for wood finishes
  - BG, CB, CN, MG, TG
- Matching painted MDF exterior for painted finishes
  - AW, PG, PW

**NOTE: Cannot be used in conjunction with Factory Finished Ends**

**WSK2412**  
**WSK2415**  
**WSK2418**  
**WSK2424**

## 12" Wide Wall Skin

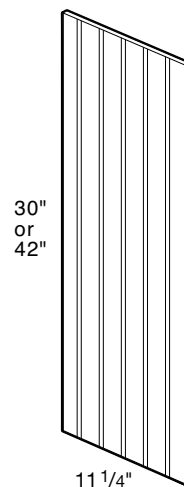


**WSK1212** **WSK1224**  
**WSK1215** **WSK1230**  
**WSK1218** **WSK1236**  
**WSK1242**

- 3/16" thick
- Field installed
- Matching veneer plywood exterior for wood finishes
  - BG, CB, CN, MG, TG
- Matching painted MDF exterior for painted finishes
  - AW, PG, PW

**NOTE: Cannot be used in conjunction with Factory Finished Ends**

## Wall V-Groove Skin



- 3/16" thick v-groove matching exterior
- Grooves spaced 1 1/4" on center
- Field installed
- Matching veneer plywood exterior for wood finishes - CB, CN, MG, TG
- Matching painted MDF exterior for painted finishes - AW, BG, PG, PW

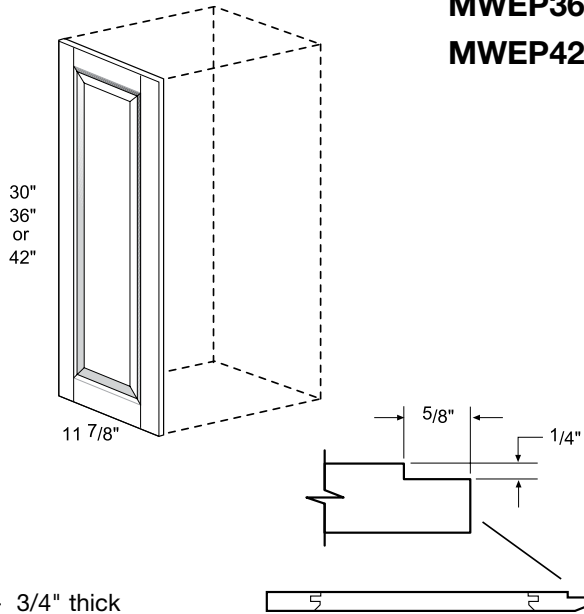
**NOTE: Cannot be used in conjunction with Factory Finished Ends**

**WVGSK30**  
**WVGSK42**

# Wall Cabinets

## Matching Wall End Panels

**MWEP30**  
**MWEP36**  
**MWEP42**

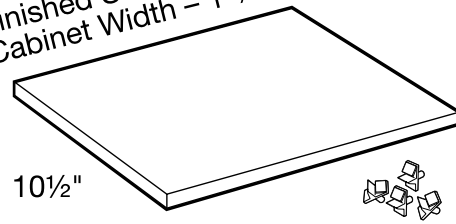


- 3/4" thick
- Field installation
- Panel is for Left or Right application & fits flush against unfinished cabinet sides

**NOTE: Cannot be used in conjunction with Factory Finished Ends or Custom Depth Cabinets**

## Shelf Kits

Finished Shelf Width =  
 Cabinet Width - 1 3/4"



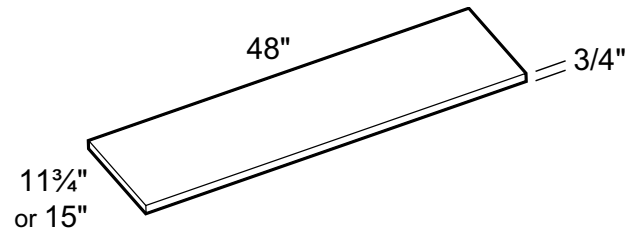
<b>SK1212</b>	<b>SK2112</b>	<b>SK3012</b>
<b>SK1512</b>	<b>SK2412</b>	<b>SK3312</b>
<b>SK1812</b>	<b>SK2712</b>	<b>SK3612</b>

- 3/4" thick plywood faced with light birch veneer finish
- Edgebanded on front edge
- One shelf and set of clips per kit

**EXAMPLE: 36" wide wall cabinet uses Shelf Kit SK3612**

## Wood Furniture Shelf

**WFS48**  
**WFS4815**

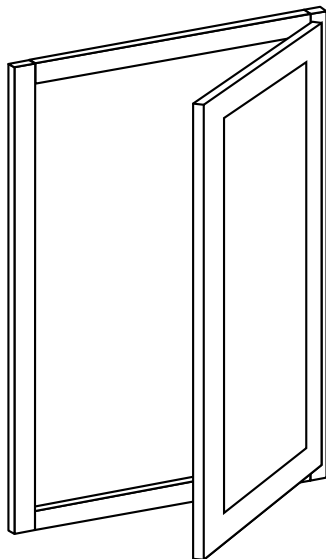


- 3/4" plywood with stained or painted finish
- Two long sides edgebanded

## Cabinet Fronts Only (CFO)

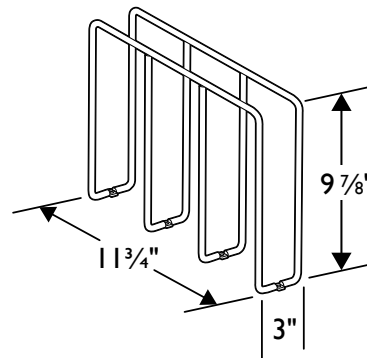
Most Wall cabinets can be ordered as "Cabinet Fronts Only". Face frame, doors, hinges and bumpers will be supplied and shipped loose.

Please consult CFO availability guide on page 44.



## U-Shaped Tray Divider 3" - Chrome

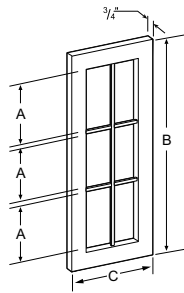
**USTD3-CR**



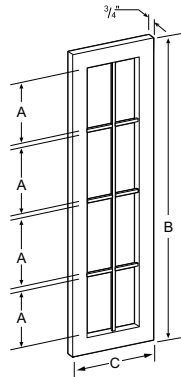
- Bakeware Organizer
- Use 2 or more to organize cabinet
- Can be used in base or wall cabinet
- Field installation with only 4 screws



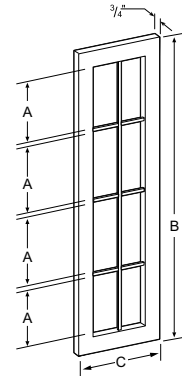
## Mullion Door



**MD1230**  
**MD1530**  
**MD1830**



**MD1236**  
**MD1536**  
**MD1836**

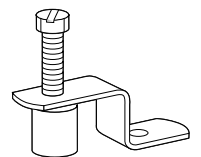


**MD1242**  
**MD1542**  
**MD1842**

## Mullion Door Specification, Availability & Usage Guide

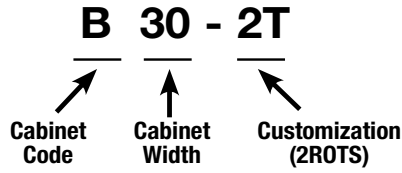
MULLION DOOR SKU	DESCRIPTION	# OF LITES	DIMENSIONS (inches)			DESIGNED TO FIT THESE CABINETS	AVAILABILITY
			A	B	C		
MD1230	12x30 Mullion Door	6	8	29-11/16	11-11/16	W1230, W2430 (x2)	All Styles Except HAW
MD1530	15x30 Mullion Door	6	8	29-11/16	14-11/16	W1530, WA2430, W3030 (x2)	All Styles Except HAW
MD1830	18x30 Mullion Door	6	8	29-11/16	17-11/16	W1830, W3630 (x2)	All Styles Except HAW
MD1236	12x36 Mullion Door	8	7-1/2	35-11/16	11-11/16	W1236, W2436 (x2)	All Styles Except HAW
MD1536	15x36 Mullion Door	8	7-1/2	35-11/16	14-11/16	W1536, WA2436, WA271536, W3036 (x2)	All Styles Except HAW
MD1836	18x36 Mullion Door	8	7-1/2	35-11/16	17-11/16	W1836, W3636 (x2)	All Styles Except HAW
MD1242	12x42 Mullion Door	8	8-3/4	41-11/16	11-11/16	W1242, W2442 (x2)	All Styles Except HAW
MD1542	15x42 Mullion Door	8	8-3/4	41-11/16	14-11/16	W1542, WA2442, WA271542, W3042 (x2)	All Styles Except HAW
MD1842	18x42 Mullion Door	8	8-3/4	41-11/16	17-11/16	W3642 (x2)	All Styles Except HAW

- 3/4" thick door frame with outside profile matching selected door style
- Frame rout accepts various thickness decorative glass
- Mullion doors are slightly smaller in width than standard full overlay doors. When used in double door applications (24", 30" & 36" wide cabinets), hinge spacers are included to insure proper door alignment.
- **Glass is NOT included and must be supplied by customer. Tempered glass is recommended.**
- Glass insert clips included for field installation



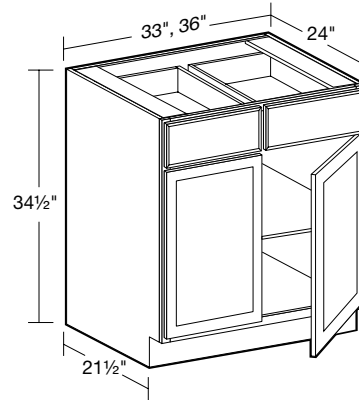
# Base Cabinets

## BASE CABINET CODING



- Standard Base Cabinets are 24" deep and 34½" high
- Desk Height base cabinets are 21" deep and 28½" high
- Cabinet depth does not include door thickness
- Products are available in all door styles unless stated otherwise
- Standard cabinet exterior is unfinished veneer, exposed sides require Finished Ends or Matching End Panels

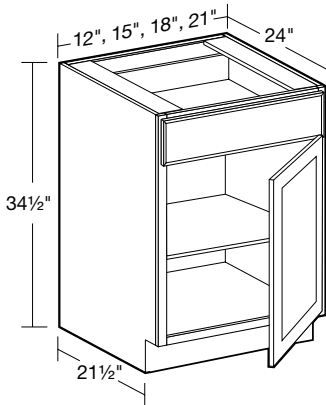
### 24" Deep Double Door



**B33**  
**B36**

- One full-depth adjustable shelf
- **CUSTOM DEPTH: 9" to 23" deep (9" to 14" deep options have false front & no drawer)**

### 24" Deep Single Door

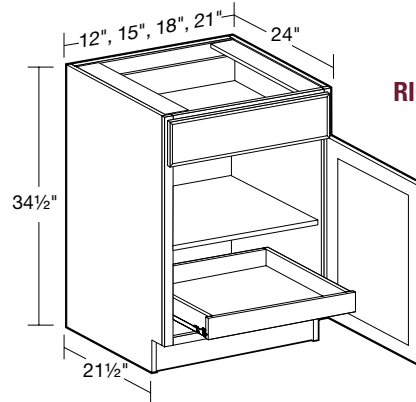


**SPECIFY**  
**RIGHT or LEFT HINGED**

**B12**  
**B15**  
**B18**  
**B21**

- One full-depth adjustable shelf
- **CUSTOM DEPTH: 9" to 23" deep (9" to 14" deep options have false front & no drawer)**

### 24" Deep Single Door with 1 Roll-Out Tray

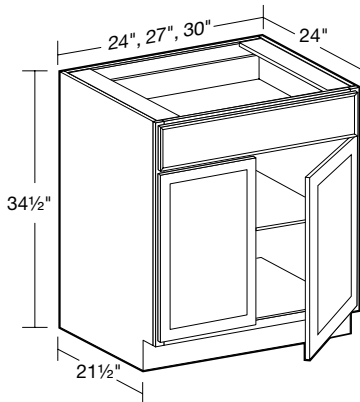


**SPECIFY**  
**RIGHT or LEFT HINGED**

**B12-1T**  
**B15-1T**  
**B18-1T**  
**B21-1T**

- One full-depth adjustable shelf
- One full width roll-out tray

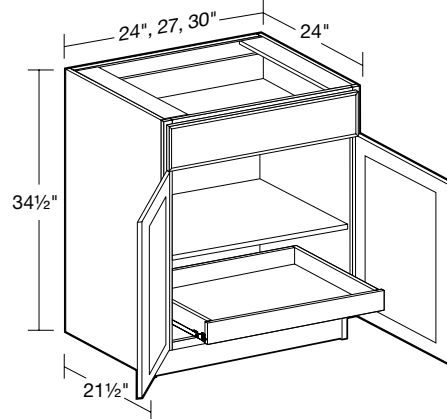
### 24" Deep Double Door



**B24**  
**B27**  
**B30**

- One full-depth adjustable shelf
- **CUSTOM DEPTH: 9" to 23" deep (9" to 14" deep options have false front & no drawer)**

### 24" Deep Double Door with 1 Roll-Out Tray

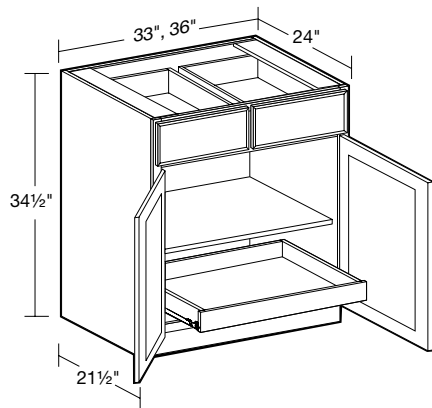


**B24-1T**  
**B27-1T**  
**B30-1T**

- One full-depth adjustable shelf
- One full width roll-out tray

# Base Cabinets

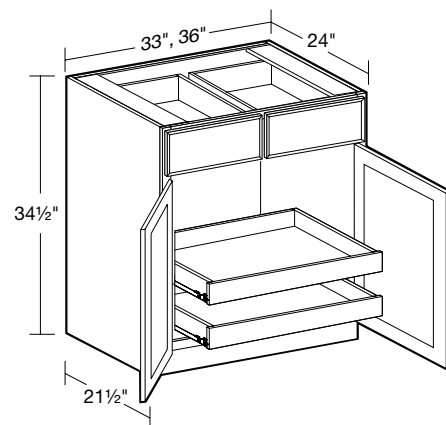
## 24" Deep Double Door with 1 Roll-Out Tray



**B33-1T**  
**B36-1T**

- One full-depth adjustable shelf
- One full width roll-out tray

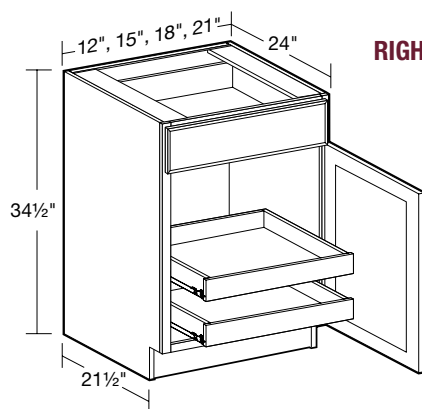
## 24" Deep Double Door with 2 Roll-Out Trays



**B33-2T**  
**B36-2T**

- Two full-depth roll-out trays

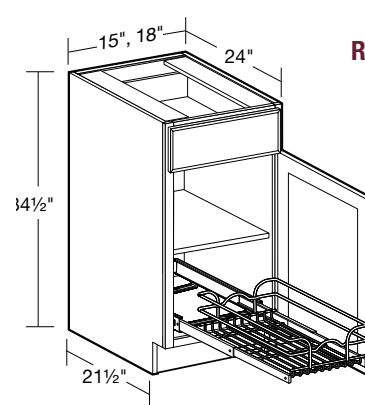
## 24" Deep Single Door with 2 Roll-Out Trays



**SPECIFY**  
**RIGHT or LEFT HINGED**  
**B12-2T**  
**B15-2T**  
**B18-2T**  
**B21-2T**

- Two full width roll-out trays

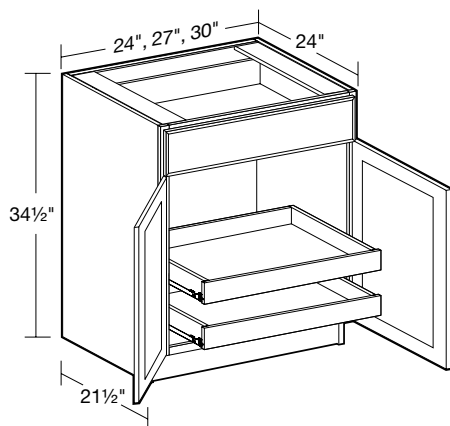
## 24" Deep Single Door with 1 Chrome Roll-Out Tray



**SPECIFY**  
**RIGHT or LEFT HINGED**  
**B15-1WT**  
**B18-1WT**

- **FIELD INSTALLED**
- One full width chrome wire roll-out tray
- Features Full-Extension runners

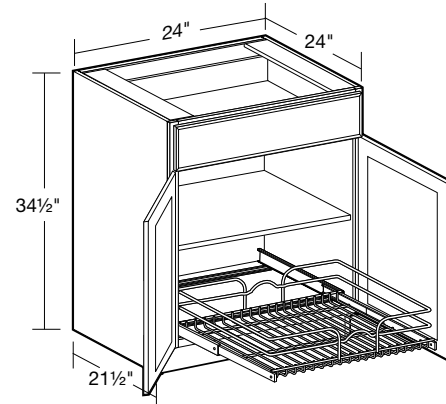
## 24" Deep Double Door with 2 Roll-Out Trays



**B24-2T**  
**B27-2T**  
**B30-2T**

- Two full width roll-out trays

## 24" Deep Double Door with 1 Chrome Roll-Out Tray

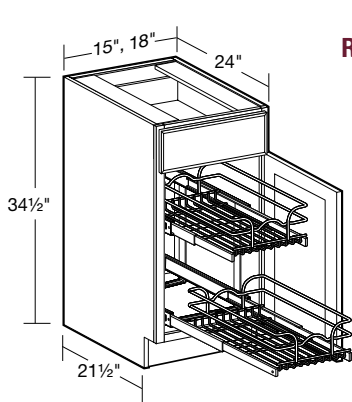


**B24-1WT**

- **FIELD INSTALLED**
- One full width chrome wire roll-out tray
- Features Full-Extension runners

# Base Cabinets

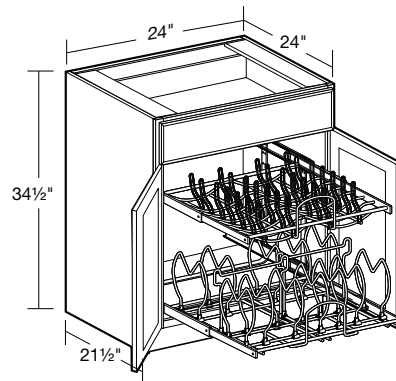
## 24" Deep Single Door with 2 Chrome Roll-Out Trays



**SPECIFY  
RIGHT or LEFT HINGED**  
**B15-2WT**  
**B18-2WT**

- **FIELD INSTALLED**
- Two full width chrome wire roll-out trays
- Features Full-Extension runners

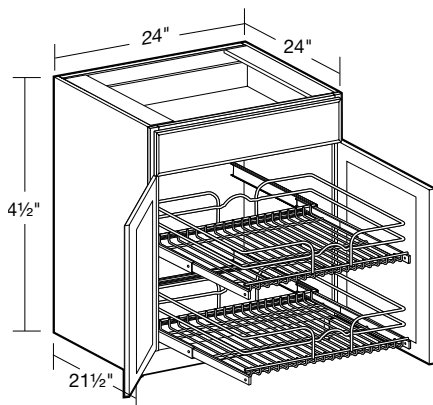
## 24" Deep Double Door with 2-Tier Cookware Organizer



**B24-CWO**

- **FIELD INSTALLED**
- Two chrome wire tiers operate independently
- Adjustable dividers accommodate different size cookware

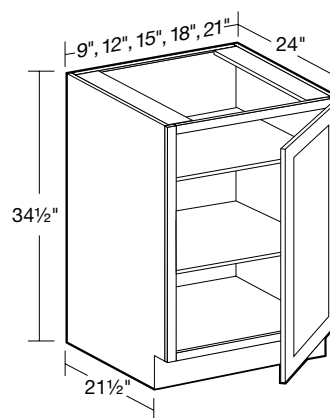
## 24" Deep Double Door with 2 Chrome Roll-Out Trays



**B24-2WT**

- **FIELD INSTALLED**
- Two full width chrome wire roll-out trays
- Features Full-Extension runners

## 24" Deep Single Full Height Door

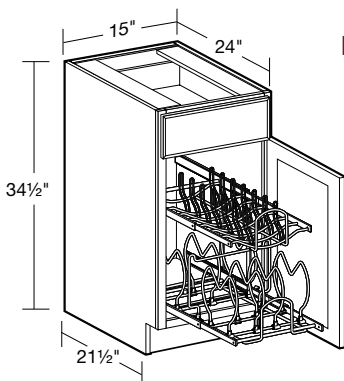


**SPECIFY  
RIGHT or LEFT HINGED**

**B09FH**  
**B12FH**  
**B15FH**  
**B18FH**  
**B21FH**

- Two full-depth adjustable shelves
- **CUSTOM DEPTH: 9" to 23" deep**

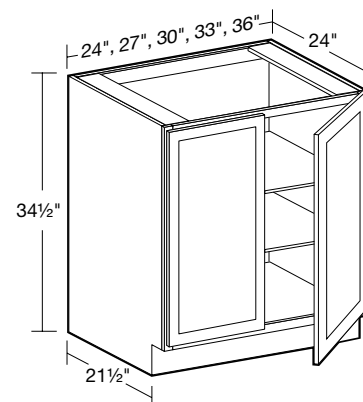
## 24" Deep Single Door with 2-Tier Cookware Organizer



**SPECIFY  
RIGHT or LEFT HINGED**  
**B15-CWO**

- **FIELD INSTALLED**
- Two chrome wire tiers operate independently
- Adjustable dividers accommodate different size cookware

## 24" Deep Double Full Height Door

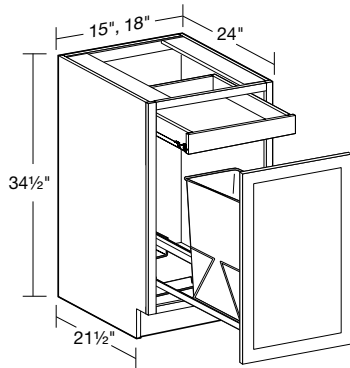


**B24FH**  
**B27FH**  
**B30FH**  
**B33FH**  
**B36FH**

- Two full-depth adjustable shelves
- **CUSTOM DEPTH: 9" to 23" deep**

## 24" Deep Base Single Wastebasket

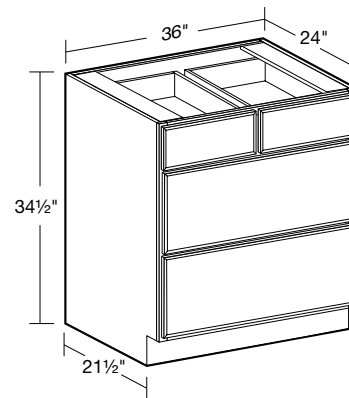
**B1WB15**  
**B1WB18**



- Basket slides on heavy duty, full extension runners
- 35 quart capacity plastic basket is secured by epoxy coated white wire "cage"
- White basket is removable
- Basket dimensions: 14"W x 10"D x 18"H
- Top mount roll-out tray for trash bag storage

- **SOFT CLOSE DOOR (SCD) OPTION NOT AVAILABLE**

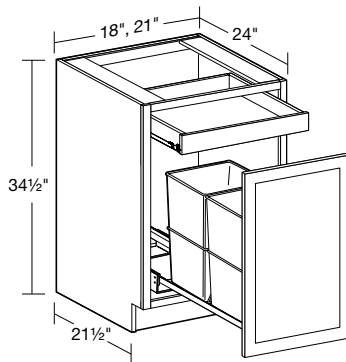
## 24" Deep Base - 4 Drawers



- Two standard top drawers
- Two deep drawers
- **CUSTOM DEPTH: 15" to 23" deep**

## 24" Deep Base Double Wastebasket

**B2WB18**  
**B2WB21**

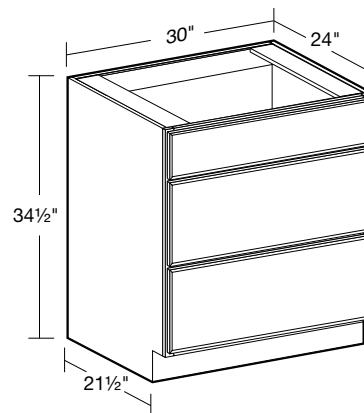


- Baskets slide on heavy duty, full extension runners
- 27 quart capacity plastic baskets (2) are secured by epoxy coated white wire "cage"
- White baskets are removable
- Basket dimensions: 11"W x 11"D x 18"H
- Top mount roll-out tray for trash bag storage

- **SOFT CLOSE DOOR (SCD) OPTION NOT AVAILABLE**

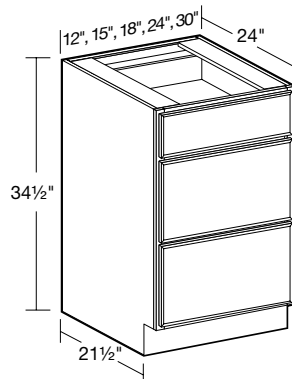
## 24" Deep Base Cooktop - Single False Front

**BCT30**



- False top drawer front
- Two deep drawers
- Accepts drop-in cooktop

## 24" Deep Base - 3 Drawers

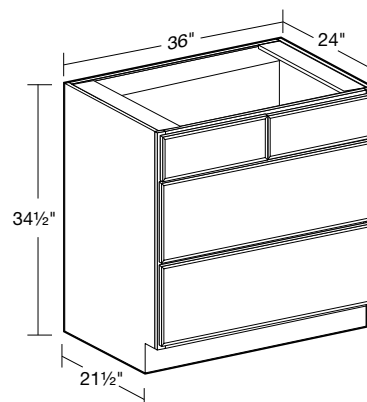


- One standard top drawer
- Two deep drawers
- **CUSTOM DEPTH: 15" to 23" deep**

\* Maximum drawer handle width for lower drawers is 4" wide for raised panel styles, 5 1/2" wide for recessed panel styles.

## 24" Deep Base Cooktop - Double False Front

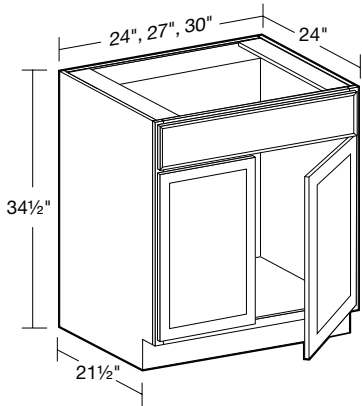
**BCT36**



- False top drawer fronts
- Two deep drawers
- Accepts drop-in cooktop

# Base Cabinets

## 24" Deep Sink Base

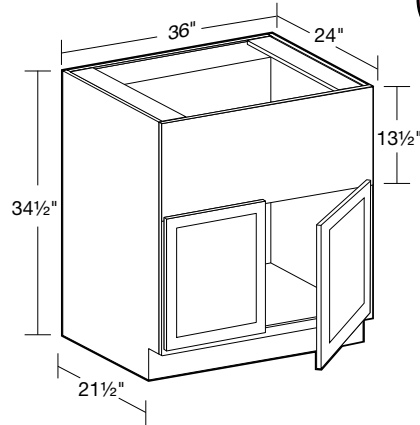


**CUSTOM DEPTH**

**SB24  
SB27  
SB30**

- No shelf, false drawer front
- May also be used as drop-in cooktop base
- **CUSTOM DEPTH: 9" to 23" deep**

## 24" Deep Farm Sink Base

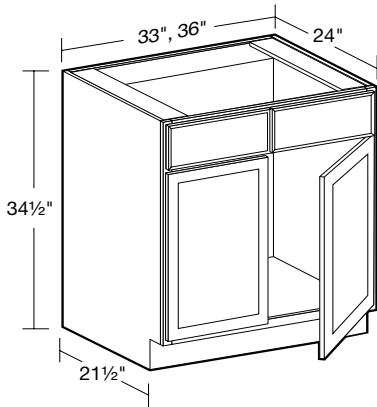


**CUSTOM DEPTH**

**FSB36**

- Front rail is field modified to fit sink
- No shelf
- **CUSTOM DEPTH: 9" to 23" deep**

## 24" Deep Sink Base

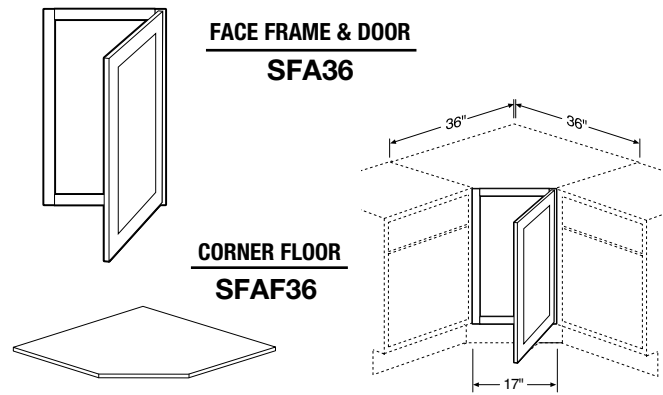


**CUSTOM DEPTH**

**SB33  
SB36**

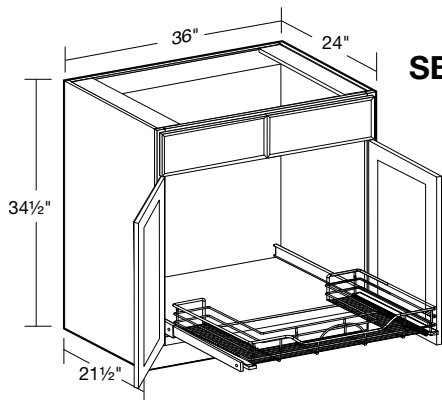
- No shelf, two false drawer fronts
- May also be used as drop-in cooktop base
- **CUSTOM DEPTH: 9" to 23" deep**

## Sink Front Angle



- Angle sink front must be installed between two cabinets
- Frame/door can be installed with hinges on right or left
- Floor support and toe base must be field constructed
- Maximum sink width for this application 25 3/4"

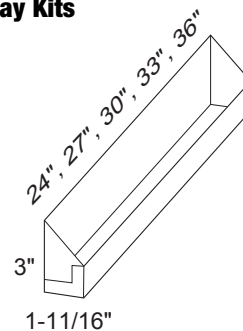
## 24" Deep Sink Base



**SB36-1USWP**

- No shelf, two false drawer fronts
- May also be used as drop-in cooktop base

## Tilt-out Tray Kits

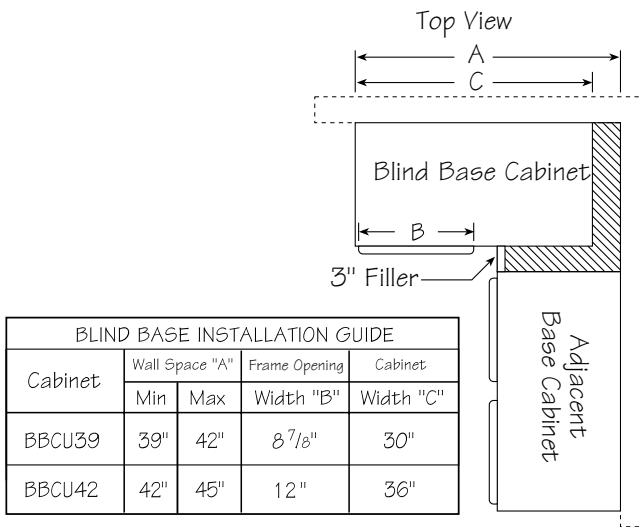


**SBTOTK24  
SBTOTK27  
SBTOTK30  
SBTOTK33 \*  
SBTOTK36 \***

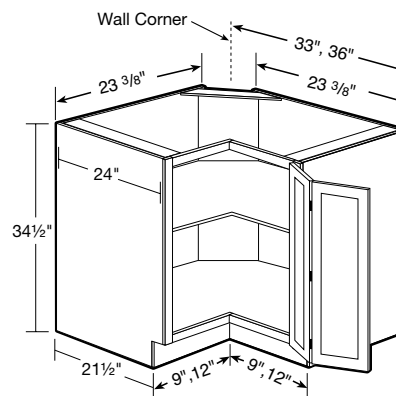
- Kit attaches to sink base false drawer front to create tilt-out drawer
- Holds sponges, scouring pads, dish soaps, etc.
- Stainless steel construction
- Field installed prior to countertop
- \* Two trays included to fit double false fronts

# Base Cabinets

## Blind Base Corner Installation



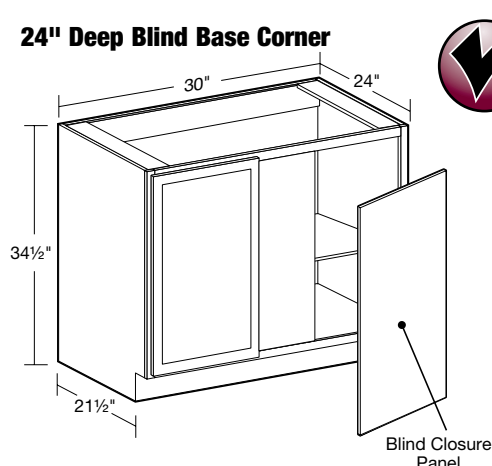
## 33" and 36" Easy Reach



**SPECIFY  
RIGHT or LEFT HINGED  
EZR33  
EZR36**

- One full depth "L" shaped shelf
- Interior shelf **MUST** be installed prior to counter top
- Doors open 170 degrees for easy access
- **SOFT CLOSE DOOR (SCD) OPTION NOT AVAILABLE**

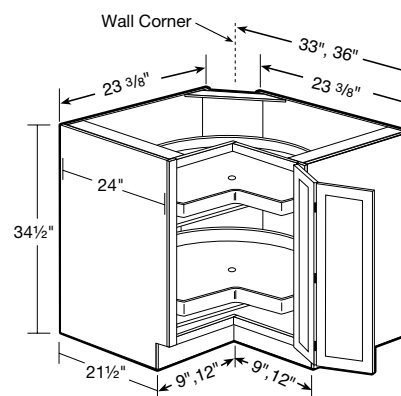
## 24" Deep Blind Base Corner



**SPECIFY  
RIGHT or  
LEFT BLIND  
BBCU39**

- Indicate R or L for blind side (right shown)
- Cabinet can be pulled for exact fit (see installation chart)
- 3" filler & 1/8" blind closure panel included
- **CUSTOM DEPTH: 9" to 23" deep**

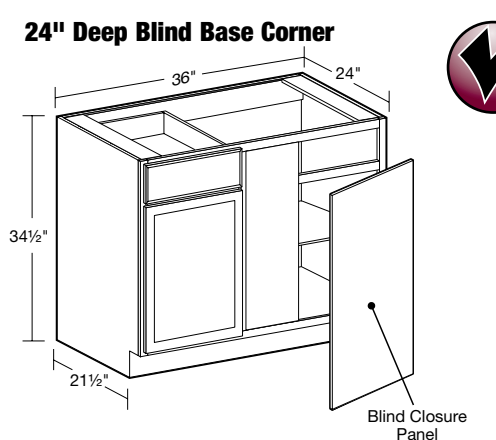
## 33" and 36" Easy Reach Super Suzan



**SPECIFY  
RIGHT or LEFT HINGED  
EZR33SS  
EZR36SS**

- Two 26" or 28" diameter, pie-cut independently revolving all wood shelves
- Doors open 170 degrees for easy access
- **SOFT CLOSE DOOR (SCD) OPTION NOT AVAILABLE**

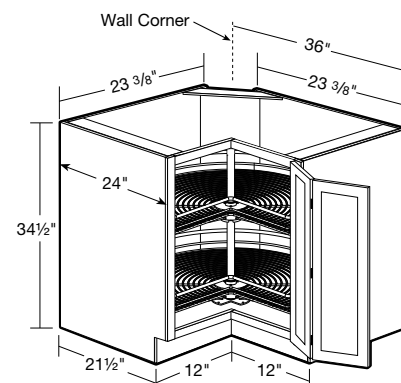
## 24" Deep Blind Base Corner



**SPECIFY  
RIGHT or  
LEFT BLIND  
BBCU42**

- Indicate R or L for blind side (right shown)
- Cabinet can be pulled for exact fit (see installation chart)
- 3" filler & 3/16" blind closure panel included
- **CUSTOM DEPTH: 9" to 23" deep (9" to 14" deep options have false front & no drawer)**

## 36" Easy Reach Chrome Susan

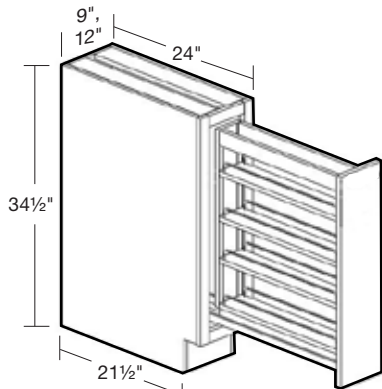


**SPECIFY  
RIGHT or LEFT HINGED  
EZR36-2WLS**

- **CHROME SUSAN FIELD INSTALLED**
- Doors open 170 degrees for easy access
- **SOFT CLOSE DOOR (SCD) OPTION NOT AVAILABLE**

# Base Cabinets

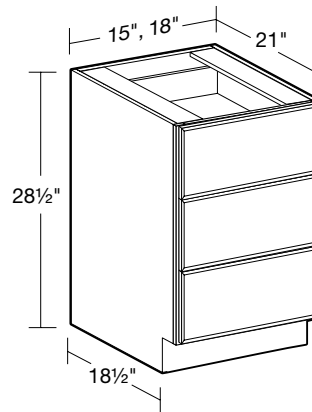
## 24" Deep Base Pantry Pullout



**BPPO9**  
**BPPO12**

- Available in 9" & 12" width cabinets
- Full extension ball bearing slides provide stable, smooth pullout function
- Adjustable shelves with chrome rails

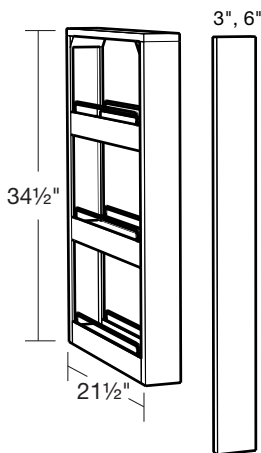
## 21" Deep Desk Drawer



**DDR15**  
**DDR18**

- Three standard drawers
- Comfortable height for dressing table or writing surface
- Matching exterior standard

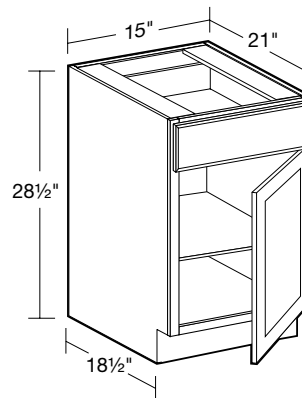
## 24" Deep Filler Pantry Pullout



**BFPO3**  
**BFPO6**

- Available in 3" & 6" widths with matching Filler Strip
- Full extension ball bearing slides provide stable, smooth pullout function
- Adjustable shelves with chrome rails
- Pull-out unit must be installed between two cabinets
- Filler strip attached to pull-out unit after installation

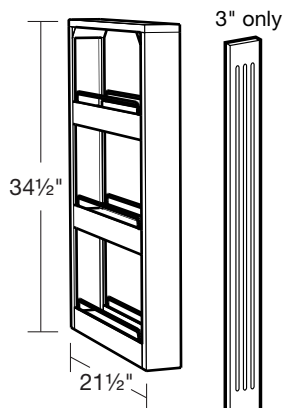
## 21" Deep Desk Door



**SPECIFY**  
**RIGHT or LEFT HINGED**  
**DDO15**

- One adjustable shelf
- Comfortable height for dressing table or writing surface
- Matching exterior standard

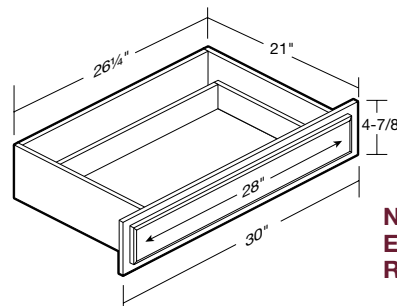
## 24" Deep Fluted Filler Pantry Pullout



**BFFPO3**

- Available in 3" width only with matching Fluted Filler Strip
- Full extension ball bearing slides provide stable, smooth pullout function
- Adjustable shelves with chrome rails
- Pull-out unit must be installed between two cabinets
- Fluted Filler Strip attached to pull-out unit after installation
- **Available in all styles except PG**

## 21" Deep Desk Knee Drawer



**DKD30**

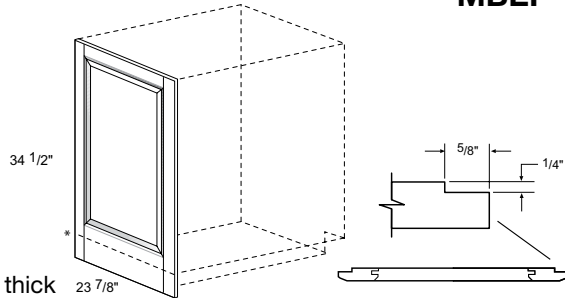
**NOTE: Full**  
**Extension Soft-Close**  
**Runner Not Available**

- One full width pencil/cosmetic drawer
- Knee drawer is designed for use between two desk base cabinets
- Comfortable height for dressing table or writing surface when installed at 28 1/2" height with 1 1/2" thick countertop
- Slab drawer front all door styles
- May be trimmed up to 1" on each side



## Matching Base End Panel

### MBEP



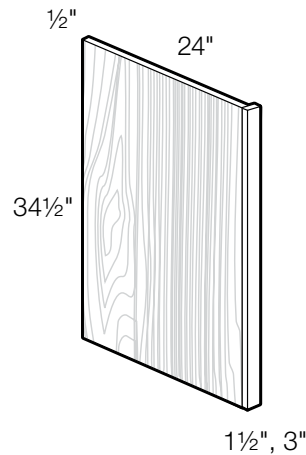
- 3/4" thick
- Field installation
- Panel is for Left or Right application & fits flush against unfinished cabinet sides

\* **BPW, LCB, LCN, LTG & RMG are 2-piece construction**

**NOTE: Cannot be used in conjunction with Factory Finished Ends or Custom Depth Cabinets**

## 24" Deep End Panel with Filler

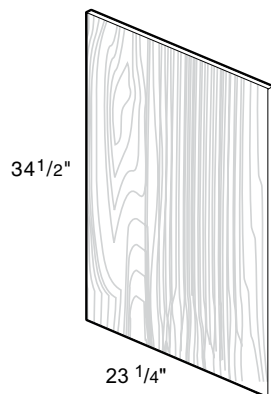
### BEP1.5



- 1 1/2" and 3" solid wood filler included
- Panel and fillers supplied loose for field assembly
- Reversible, may be installed left or right
- 1/2" thick matching veneer interior and exterior

## Base Skin

### BSK345

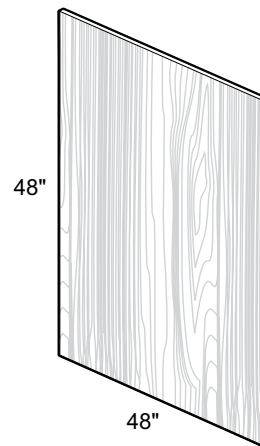


- 3/16" thick
- Field modified and installed
- Matching veneer plywood exterior for wood finishes
  - BG, CB, CN, MG, TG
- Matching painted MDF exterior for painted finishes
  - AW, PG, PW

**NOTE: Cannot be used in conjunction with Factory Finished Ends**

## Island Skin

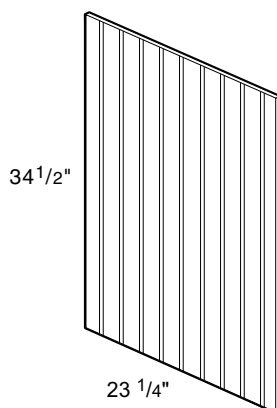
### ISK4848



- 3/16" thick
- Field modified and installed
- Matching veneer plywood exterior for wood finishes
  - BG, CB, CN, MG, TG
- Matching painted MDF exterior for painted finishes
  - AW, PG, PW

## Base V-Groove Skin

### BVGSK345

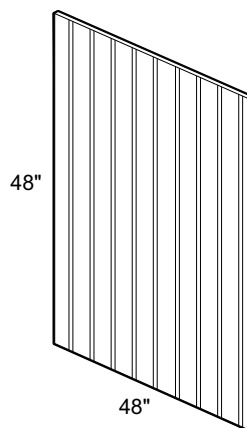


- 3/16" thick v-groove matching exterior
- Grooves spaced 1 1/4" on center
- Field modified and installed
- Matching veneer plywood exterior for wood finishes
  - CB, CN, MG, TG
- Matching painted MDF exterior for painted finishes
  - AW, BG, PG, PW

**NOTE: Cannot be used in conjunction with Factory Finished Ends**

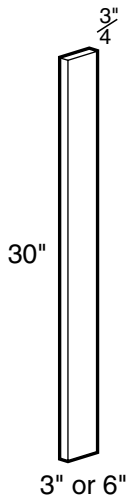
## Island V-Groove Skin

### IVGSK4848



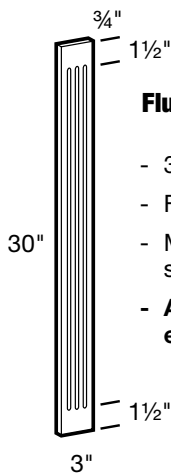
- 3/16" thick v-groove matching exterior
- Grooves spaced 1 1/4" on center
- Field modified and installed
- Matching veneer plywood exterior for wood finishes
  - CB, CN, MG, TG
- Matching painted MDF exterior for painted finishes
  - AW, BG, PG, PW

# Base Cabinets



## Filler Strip (FS) FS30 FS630

- 3/4" thick solid wood
- Face and all edges finished

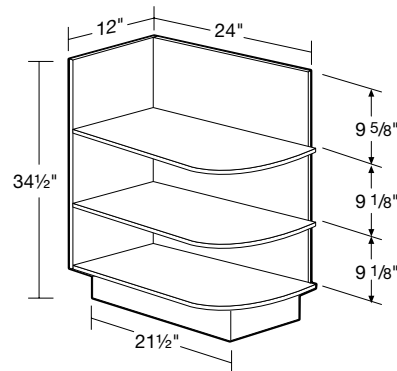


## Fluted Filler (FF) FF330

- 3/4" thick solid wood
- Face and all edges finished
- May be trimmed 1/2" each side
- Available in all styles except PG

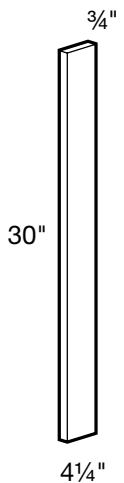
## 24" Deep Base End Shelf

**SPECIFY  
RIGHT or LEFT  
(left shown)**



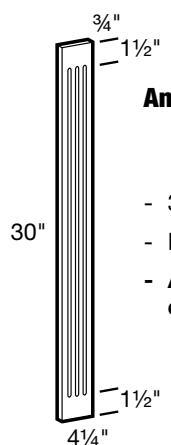
- 3/16" thick wood veneer side and 1/2" thick solid wood back panel
- 3/4" thick solid wood shelves
- 3/16" thick wood veneer side is cut back to fit behind frame of adjacent cabinet

**NOTE: Cannot be used in conjunction with  
Factory Finished Ends**



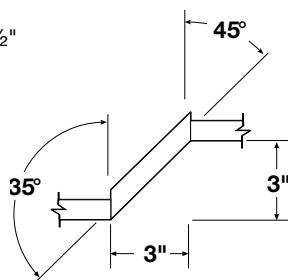
## Angle Filler (AF) AF330

- 3/4" thick solid wood
- Face and all edges finished
- Available in all styles except PG



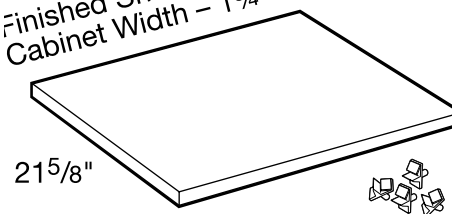
## Angle Fluted Filler (AFF) AFF330

- 3/4" thick solid wood
- Face and all edges finished
- Available in all styles except PG



## Shelf Kits

Finished Shelf Width =  
Cabinet Width - 1 3/4"

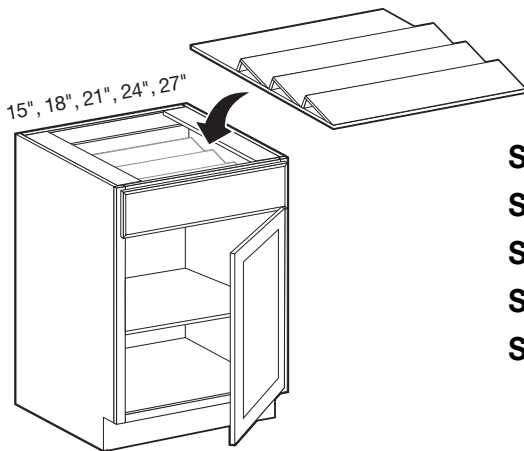


- |               |               |               |
|---------------|---------------|---------------|
| <b>SK1224</b> | <b>SK2124</b> | <b>SK3024</b> |
| <b>SK1524</b> | <b>SK2424</b> | <b>SK3324</b> |
| <b>SK1824</b> | <b>SK2724</b> | <b>SK3624</b> |

- 3/4" thick plywood faced with light birch veneer finish
- Edgbanded on front edge
- One shelf and set of clips per kit

SHELF KIT AVAILABILITY GUIDE		
PART#	DESIGNED TO FIT	ACTUAL WIDTH
SK1224	B12, B12FH	10 1/4"
SK1524	B15, B15FH	13 1/4"
SK1824	B18, B18FH, U182484/96	16 1/4"
SK2124	B21, B21FH	19 1/4"
SK2424	B24, B24FH, SB24, U242484 / 90 / 96	22 1/4"
SK2724	B27, B27FH, SB27	25 1/4"
SK3024	B30, B30FH, SB30, BBCU39	28 1/4"
SK3324	B33, B33FH, SB33, OC332484U / 90U / 96U	31 1/4"
SK3624	B36, B36FH, SB36, BBCU42	34 1/4"

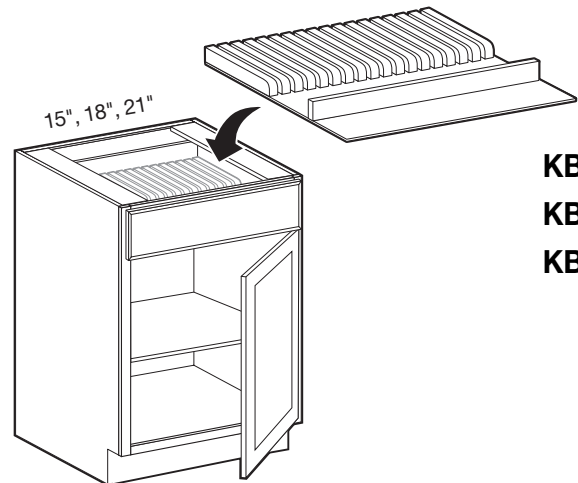
## Spice Drawer Insert



**SDI15**  
**SDI18**  
**SDI21**  
**SDI24**  
**SDI27**

- Solid hardwood drawer insert
- Three 5" high angled tiers
- Rear 4" deep compartment
- Sized to fit inside 15", 18", 21", 24", 27" wide drawers
- Not for use in custom-depth cabinetry

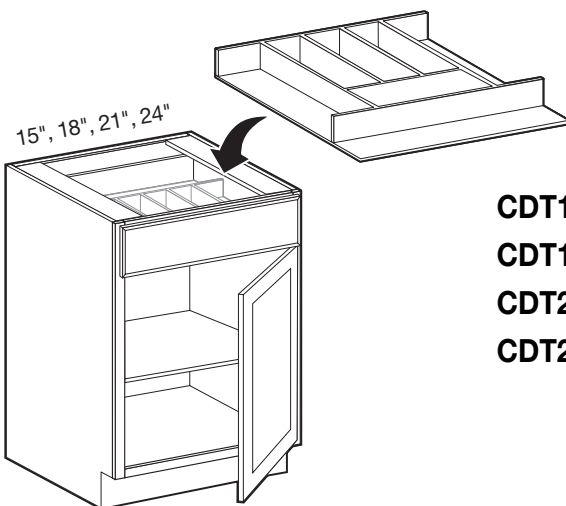
## Knife Block Insert



**KBI15**  
**KBI18**  
**KBI21**

- Solid hardwood drawer insert
- One full width front utensil compartment
- KBI15:** 10 knife slots + utensil compartment (fits B15, BD15)
- KBI18:** 13 knife slots + utensil compartment (fits B18, BD18, B36, BD36)
- KBI21:** 16 knife slots + utensil compartment (fits B21)
- Not for use in custom-depth cabinetry

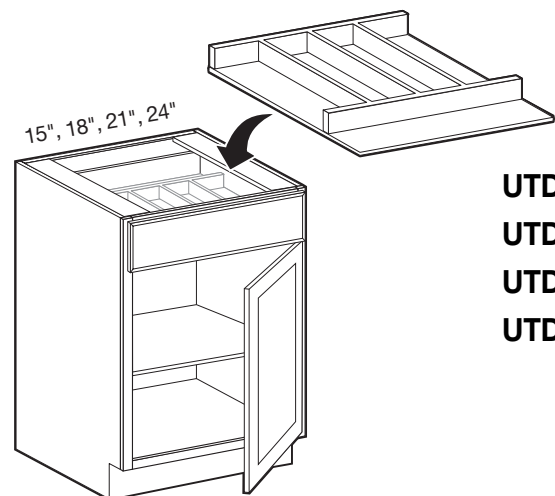
## Cutlery Divider Tray



**CDT15**  
**CDT18**  
**CDT21**  
**CDT24**

- Solid hardwood drawer insert
- One full width front utensil compartment
- CDT15:** 6 compartments 10"-14" deep (fits B15, BD15)
- CDT18:** 6 compartments 10"-14" deep (fits B18, BD18, B36, BD36)
- CDT21:** 8 compartments 10"-14" deep (fits B21)
- CDT24:** 8 compartments 10"-14" deep (fits B24, BD24)
- Not for use in custom-depth cabinetry

## Utensil Divider Tray

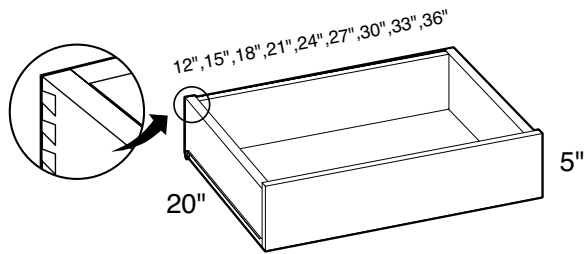


**UTD15**  
**UTD18**  
**UTD21**  
**UTD24**

- Solid hardwood drawer insert
- One full width front utensil compartment
- UTD15:** 2 additional compartments 16" deep (fits B15, BD15)
- UTD18:** 4 additional compartments 16" deep (fits B18, BD18, B36, BD36)
- UTD21:** 5 additional compartments 16" deep (fits B21)
- UTD24:** 5 additional compartments 16" deep (fits B24, BD24)
- Not for use in custom-depth cabinetry

# Base Cabinets

## Rollout Tray Kits

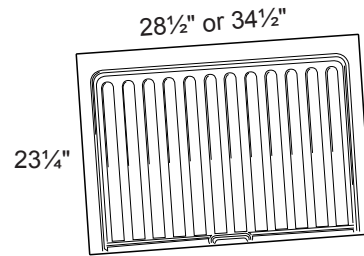


**ROT12**    **ROT18**    **ROT24**    **ROT30**  
**ROT15**    **ROT21**    **ROT27**    **ROT33**  
**ROT36**

- 5/8" solid wood dovetail construction
- Includes 3/4" extension epoxy coated smooth-glide edge mounted runners
- 75 lb. load capacity
- Field-install into factory pre-drilled locations only
- Not for use in custom-depth cabinetry

ROLL-OUT TRAY KIT AVAILABILITY GUIDE		
PART#	DESIGNED TO FIT	ACTUAL WIDTH
ROT12	B12, B12FH	8"
ROT15	B15, B15FH	11"
ROT18	B18, B18FH, U182484 / 90 / 96	14"
ROT21	B21, B21FH	17"
ROT24	B24, B24FH, SB24, U242484 / 90 / 96	20"
ROT27	B27, B27FH, SB27	23"
ROT30	B30, B30FH, SB30	26"
ROT33	B33, B33FH, SB33	29"
ROT36	B36, B36FH, SB36	32"

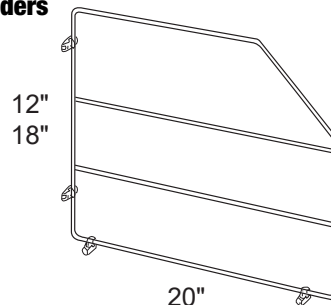
## Sink Base Liner



**SBL2730**  
**SBL3336**

- Helps protect sink cabinet from damage due to leaks in piping or drains
- Sleek surface for easy cleanup
- SBL2730 can be trimmed to fit SB27 or SB30
- SBL3336 can be trimmed to fit SB33 or SB36
- Field installed
- Grey polystyrene easy to clean surface
- Not for use in custom-depth cabinetry

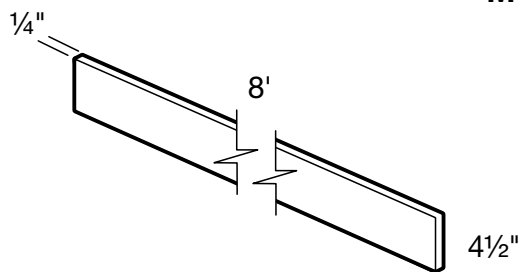
## Tray Dividers



**TD12CR**  
**TD18CR**

- **FIELD INSTALLED**
- Available in 12" & 18" heights
- Chrome finish
- Stores baking sheets, serving dishes, etc.
- Comes with 4 clips & fasteners
- Attaches to cabinet middle or bottom shelf
- Not for use in custom-depth cabinetry

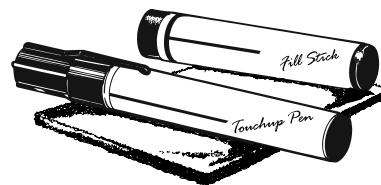
## Matching Toe Kick 8'



**MTK8**

- 1/4" thick wood veneer

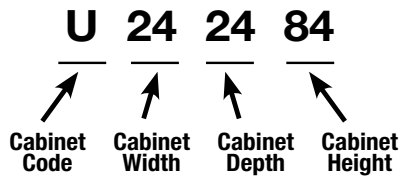
## Touch-Up Kit



**TUK**

- Includes fill stick, touch-up pen, and 4-door bumpers

## TALL CABINET CODING



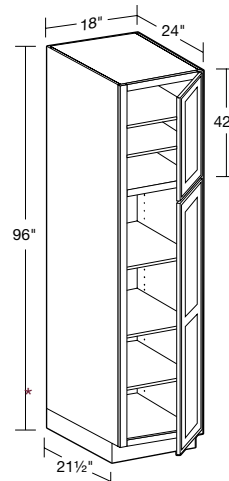
- Standard Tall Cabinets are 24" deep
- Add door thickness for total cabinet depth
- Products are available in all door styles unless stated otherwise
- Standard cabinet exterior is unfinished veneer, exposed sides require Finished Ends

### 24" Deep Two Door Utility



**SPECIFY  
RIGHT or LEFT HINGED**

**U182496**



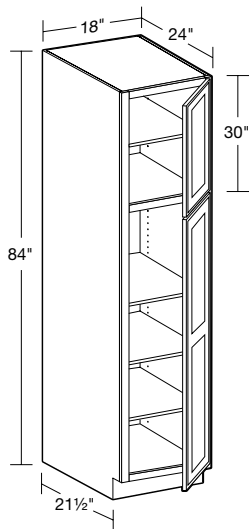
- One fixed shelf dividing upper and lower doors, five adjustable shelves
- Optional rollout trays or additional shelves available
- \* Loose toe kick box for ease of installation
- Exposed sides require TSK96
- Factory finish ends not available
- **CUSTOM DEPTH: 9" to 23" deep**

### 24" Deep Two Door Utility



**SPECIFY  
RIGHT or LEFT HINGED**

**U182484**

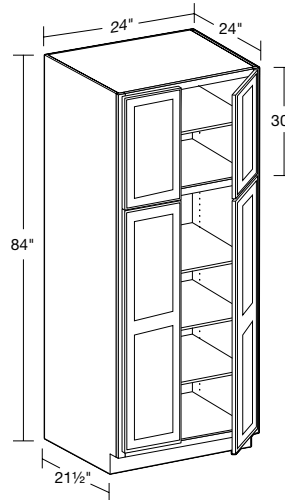


- One fixed shelf dividing upper and lower doors, four adjustable shelves
- Optional rollout trays or additional shelves available
- Exposed sides require TSK84
- **CUSTOM DEPTH: 9" to 23" deep**

### 24" Deep Four Butt Door Utility



**U242484**



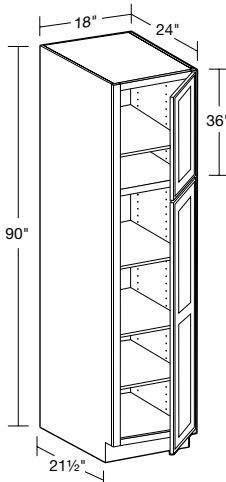
- One fixed shelf dividing upper and lower doors, four adjustable shelves
- Optional rollout trays or additional shelves available
- Exposed sides require TSK84 - TSK90
- **CUSTOM DEPTH: 9" to 23" deep**

### 24" Deep Two Door Utility



**SPECIFY  
RIGHT or LEFT HINGED**

**U182490**

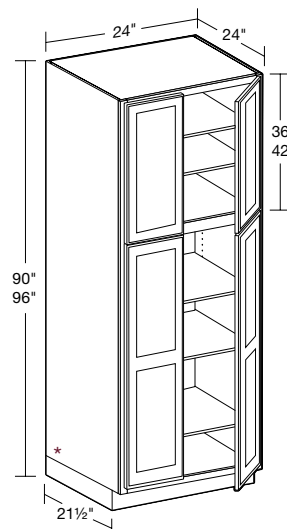


- One fixed shelf dividing upper and lower doors, four adjustable shelves
- Optional rollout trays or additional shelves available
- Exposed sides require TSK90
- **CUSTOM DEPTH: 9" to 23" deep**

### 24" Deep Four Butt Door Utility



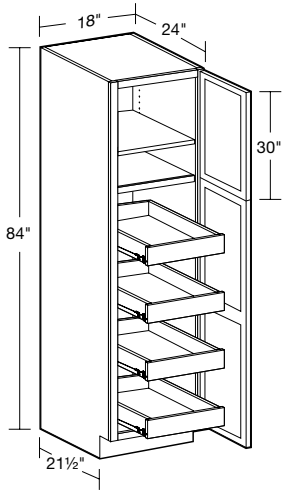
**U242490  
U242496**



- One fixed shelf dividing upper and lower doors, five adjustable shelves
- Optional rollout trays or additional shelves available
- \* On 96", loose toe kick box for ease of installation
- Exposed sides require TSK90 - TSK96
- Factory finish ends not available for 96" Unit
- **CUSTOM DEPTH: 9" to 23" deep**

# Tall Cabinets

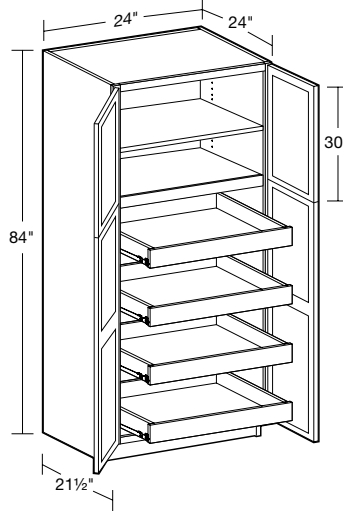
## 24" Deep Two Door Utility with Four Rollout Trays



**SPECIFY  
RIGHT or LEFT HINGED  
U182484-4T**

- One fixed shelf dividing upper and lower doors
- Four repositionable, full width rollout trays
- One adjustable shelf
- Exposed sides require TSK84

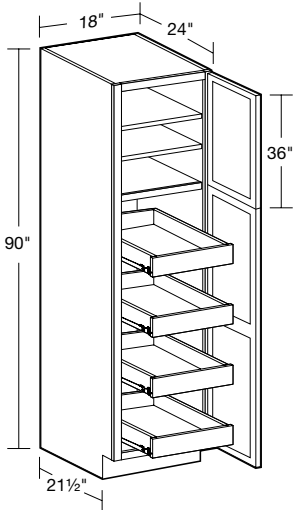
## 24" Deep Four Butt Door Utility with Four Rollout Trays



**U242484-4T**

- One fixed shelf dividing upper and lower doors
- Four repositionable, full width rollout trays
- One adjustable shelf
- Exposed sides require TSK84

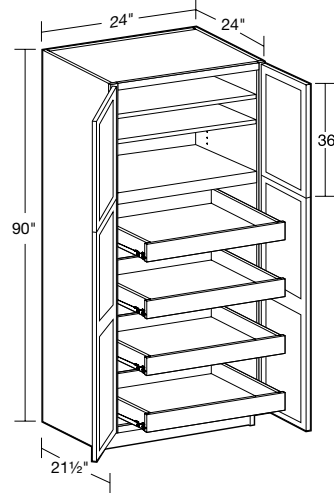
## 24" Deep Two Door Utility with Four Rollout Trays



**SPECIFY  
RIGHT or LEFT HINGED  
U182490-4T**

- One fixed shelf dividing upper and lower doors
- Four repositionable, full width rollout trays
- Two adjustable shelves
- Exposed sides require TSK90

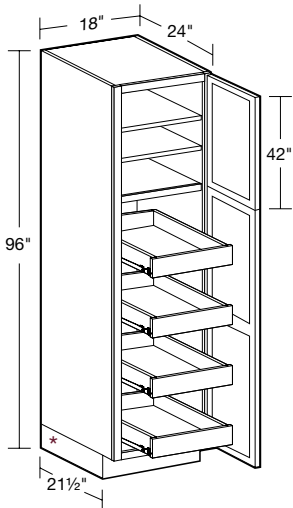
## 24" Deep Four Butt Door Utility with Four Rollout Trays



**U242490-4T**

- One fixed shelf dividing upper and lower doors
- Four repositionable, full width rollout trays
- Two adjustable shelves
- Exposed sides require TSK90

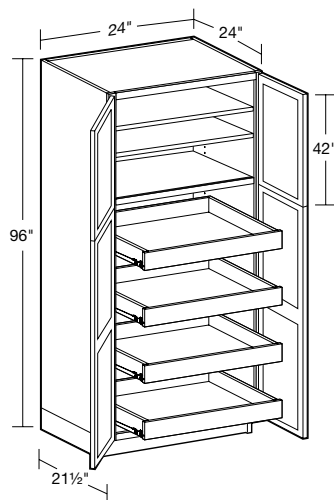
## 24" Deep Two Door Utility with Four Rollout Trays



**SPECIFY  
RIGHT or LEFT HINGED  
U182496-4T**

- One fixed shelf dividing upper and lower doors
- Four repositionable, full width rollout trays
- Two adjustable shelves
- \* Loose toe kick box for ease of installation
- Exposed sides require TSK96
- Factory finish ends not available

## 24" Deep Four Butt Door Utility with Four Rollout Trays



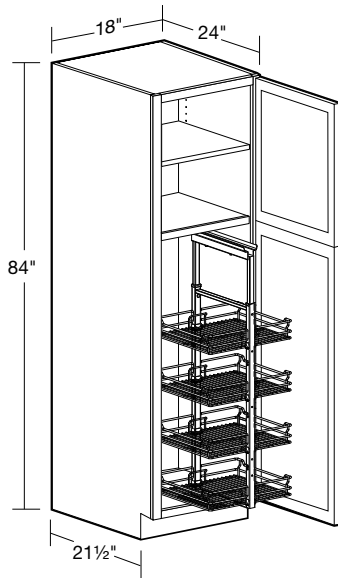
**U242496-4T**

- One fixed shelf dividing upper and lower doors
- Four repositionable, full width rollout trays
- Two adjustable shelves
- \* Loose toe kick box for ease of installation
- Exposed sides require TSK96
- Factory finish ends not available

## 24" Deep Two Door Utility with Four Pull-out Chrome Trays

**SPECIFY  
RIGHT or LEFT HINGED**

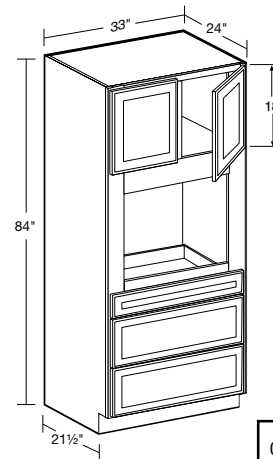
**U182484-PO4WS**



- **FIELD INSTALLED PULL-OUT UNIT**
- Pull-out unit includes 4 chrome baskets and optional door mounts
- Top and bottom glides are soft closing and 250 lb. weight rated
- One fixed shelf dividing upper and lower door
- One adjustable upper shelf
- Exposed sides require TSK84

## 24" Deep Universal Oven

**OC332484U**



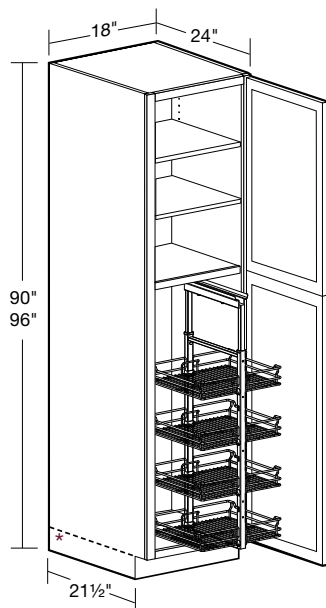
- Consult chart for oven cutout dimensions
- No adjustable shelf
- 3 field removable drawers
- 3" stiles in oven compartment
- Exposed sides require TSK84
- For frame openings refer to page 40

CABINET	MIN. CUTOUT WIDTH	MAX CUTOUT WIDTH	MIN. CUTOUT HEIGHT	MAX CUTOUT HEIGHT
OC332484U	27"	31"	22"	60"

## 24" Deep Two Door Utility with Four Pull-out Chrome Trays

**SPECIFY  
RIGHT or LEFT HINGED**

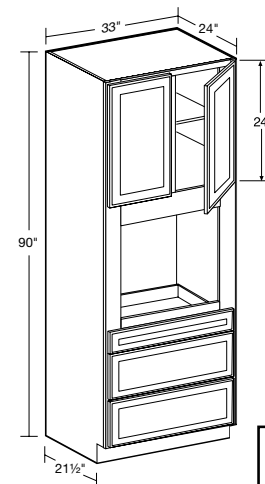
**U182490-PO4WS  
U182496-PO4WS**



- **FIELD INSTALLED PULL-OUT UNIT**
- Pull-out unit includes 4 chrome baskets and optional door mounts
- Top and bottom glides are soft closing and 250 lb. weight rated
- One fixed shelf dividing upper and lower door
- Two adjustable upper shelves
- Exposed sides require TSK90/TSK96
- \* Loose toe kick box for ease of installation
- Factory finish ends not available for 96" high

## 24" Deep Universal Oven

**OC332490U**

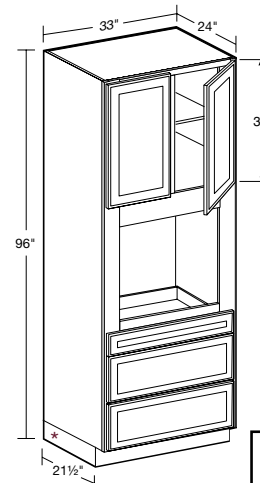


- Consult chart for oven cutout dimensions
- One adjustable shelf
- 3 field removable drawers
- 3" stiles in oven compartment
- Exposed sides require TSK90
- For frame openings refer to page 40

CABINET	MIN. CUTOUT WIDTH	MAX CUTOUT WIDTH	MIN. CUTOUT HEIGHT	MAX CUTOUT HEIGHT
OC332490U	27"	31"	22"	60"

## 24" Deep Universal Oven

**OC332496U**

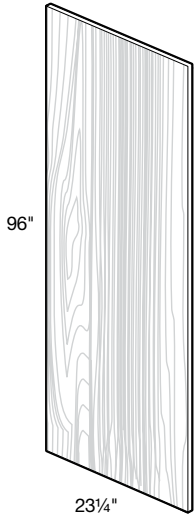


- Consult chart for oven cutout dimensions
- One adjustable shelf
- 3 field removable drawers
- 3" stiles in oven compartment
- \* Loose toe kick box for ease of installation
- Exposed sides require TSK96
- Factory finish ends not available
- For frame openings refer to page 40

CABINET	MIN. CUTOUT WIDTH	MAX CUTOUT WIDTH	MIN. CUTOUT HEIGHT	MAX CUTOUT HEIGHT
OC332496U	27"	31"	22"	60"

# Tall Cabinets

## Tall Skin

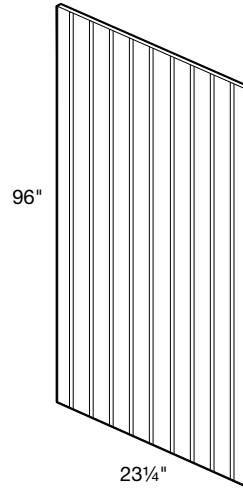


**TSK84**  
**TSK90**  
**TSK96**

- 3/16" thick
- Field modified and installed
- Matching veneer plywood exterior for wood finishes - BG, CB, CN, MG, TG
- Matching painted MDF exterior for painted finishes - AW, PG, PW

**NOTE: Cannot be used in conjunction with Factory Finished Ends**

## Tall V-Groove Skin

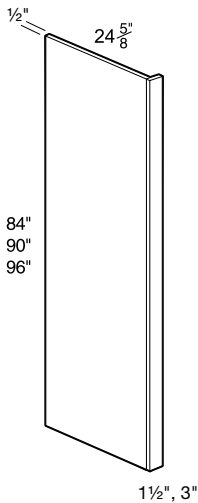


**TVGSK96**

- 3/16" thick v-groove matching exterior
- Grooves spaced 1 1/4" on center
- Field modified and installed
- Matching veneer plywood exterior for wood finishes - CB, CN, MG, TG
- Matching painted MDF exterior for painted finishes - AW, BG, PG, PW
- Trimmable for 84" and 90" applications

**NOTE: Cannot be used in conjunction with Factory Finished Ends**

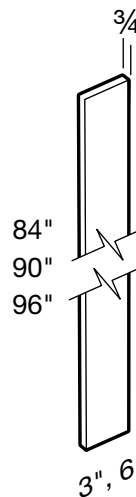
## 24" Deep Refrigerator Panel



**RP84**  
**RP90**  
**RP96**

- 1 1/2" & 3" wide fillers included
- Panel and Fillers supplied loose for field assembly
- Reversible, may be installed left or right
- 1/2" thick veneer matching exterior/interior
- Filler may be scribed up to 5/8"

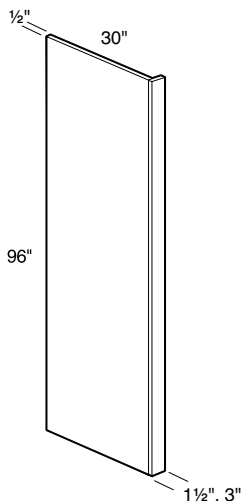
## Tall Filler Strips



**FS84**  
**FS90**  
**FS96**  
**FS696**

- 3/4" thick solid wood
- Face and all edges finished

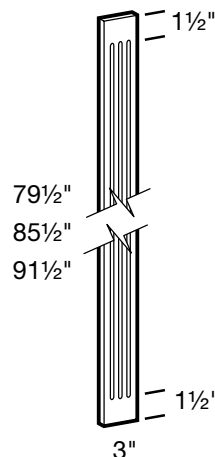
## 30" Deep Universal Refrigerator Panel



**RP3096**

- 1 1/2" and 3" wide fillers included
- Panel and Fillers supplied loose for field assembly
- Reversible, may be installed left or right
- Trimmable for 84" and 90" applications
- 1/2" thick matching veneer exterior/interior
- Filler may be scribed up to 5/8"

## Fluted Fillers



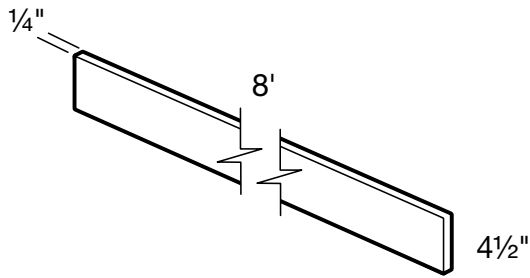
**FF79**  
**FF85**  
**FF91**

- 3/4" thick solid wood
- Face and all edges finished
- Available in all styles except PG



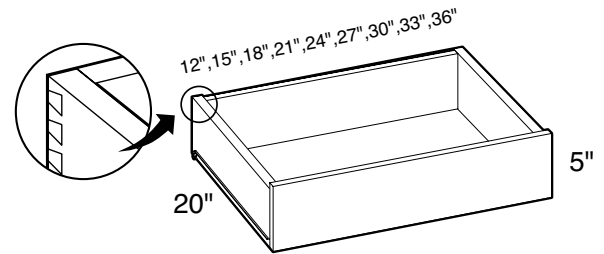
## Matching Toe Kick 8'

**MTK8**



- 1/4" thick wood veneer

## Rollout Tray Kits



**ROT12    ROT21    ROT30**  
**ROT15    ROT24    ROT33**  
**ROT18    ROT27    ROT36**

- 5/8" solid wood dovetail construction
- Consult availability guide
- Includes 3/4 extension epoxy coated smooth-glide edge mounted runners
- 75 lb. load capacity

## Cabinet Fronts Only (CFO)

Most Tall cabinets can be ordered as "Cabinet Fronts Only". Face frame, doors, hinges and bumpers will be supplied and shipped loose.

Please consult CFO availability guide on page 44.

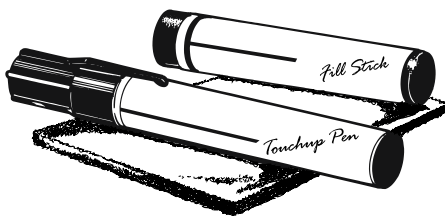


### ROLL-OUT TRAY KIT AVAILABILITY GUIDE

SKU	DESIGNED TO FIT
ROT18	B18, B18FH, U182484 / 90 / 96
ROT24	B24, B24FH, SB24, U242484 / 90 / 96

## Touch-Up Kit

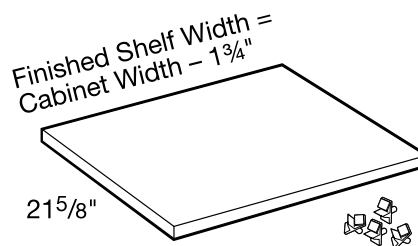
**TUK**



- Includes fill stick, touch-up pen, and 4-door bumpers

## Shelf Kits

**SK1824**  
**SK2424**  
**SK3324**

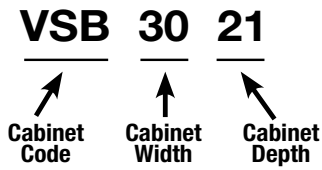


- 3/4" thick plywood faced with light birch veneer finish
- Edgebanded on front edge
- One shelf and set of clips per kit

**EXAMPLE: 18" wide tall cabinet uses Shelf Kit SK1824**

# Vanity Base Cabinets

## VANITY CABINET CODING

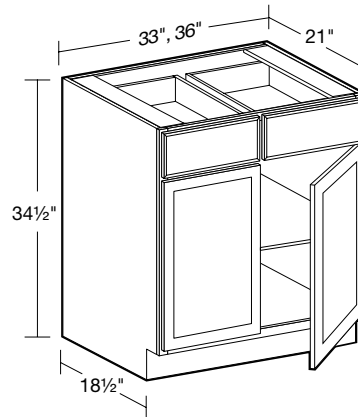


- Standard Vanity Base Cabinets are 21" deep and 34½" high
- Cabinet depth does not include door thickness
- **Custom Depths are available where indicated. Use Standard Base Cabinet coding to order as specified.**
- Products are available in all door styles unless stated otherwise
- Standard cabinet exterior is unfinished veneer, exposed sides require Finished Ends

### 21" Deep Double Door Vanity Base

STANDARD  
21" DEPTHS

**VB3321**  
**VB3621**



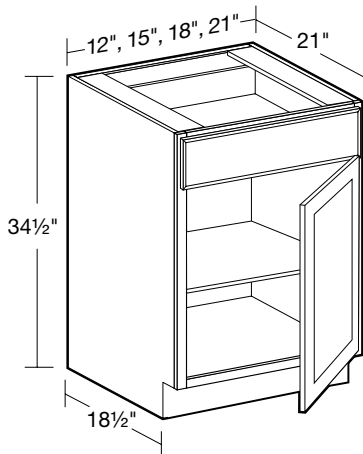
- One full depth adjustable shelf
- Two standard drawers



#### FOR CUSTOM DEPTHS

- Order **B33** or **B36**
- Select 9" to 23" depth
- 9" to 14" deep have false fronts & no drawer

### 21" Deep Single Door Vanity Base



- One full depth adjustable shelf
- One standard drawer

**SPECIFY**  
**RIGHT or LEFT HINGED**

STANDARD  
21" DEPTHS

**VB1221**  
**VB1521**  
**VB1821**  
**VB2121**

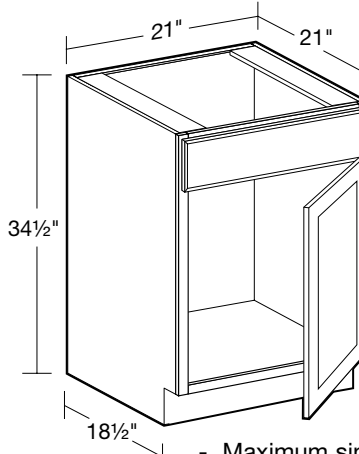


#### FOR CUSTOM DEPTHS

- Order **B12**, **B15**, **B18** or **B21**
- Select 9" to 23" depth
- 9" to 14" deep have false fronts & no drawer

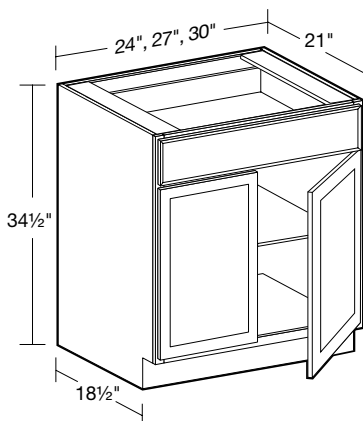
### 21" Deep Single Door Vanity Sink Base

**SPECIFY**  
**RIGHT or LEFT HINGED**  
**VS2121**



- Maximum sink cutout 19" wide
- No shelf
- False drawer front

### 21" Deep Double Door Vanity Base



- One full depth adjustable shelf
- One standard drawer

STANDARD  
21" DEPTHS

**VB2421**  
**VB2721**  
**VB3021**



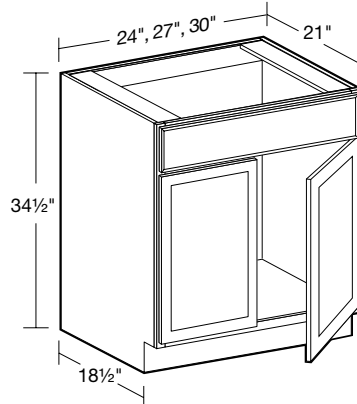
#### FOR CUSTOM DEPTHS

- Order **B24**, **B27** or **B30**
- Select 9" to 23" depth
- 9" to 14" deep have false fronts & no drawer

### 21" Deep Double Door Vanity Sink Base

STANDARD  
21" DEPTHS

**VS2421**  
**VS2721**  
**VS3021**



- No shelf
- False drawer front

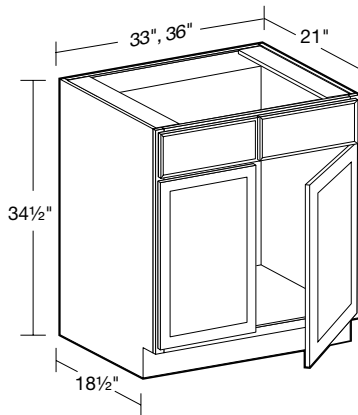


#### FOR CUSTOM DEPTHS

- Order **SB24**, **SB27** or **SB30**
- Select 9" to 23" depth

# Vanity Base Cabinets

## 21" Deep Double Door Vanity Sink Base



STANDARD  
21" DEPTHS

VSB3321  
VSB3621

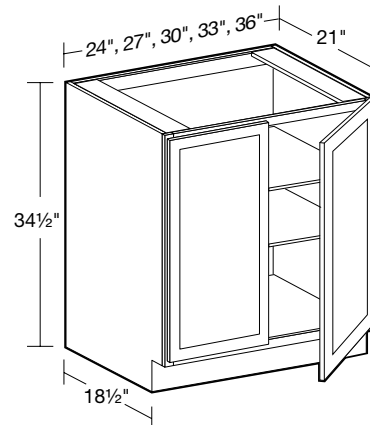


**FOR CUSTOM DEPTHS**

- Order **SB33** or **SB36**
- Select 9" to 23" depth

- No shelf, two false fronts

## 21" Deep Double Full Height Door Vanity Base



STANDARD  
21" DEPTHS

VB2421FH  
VB2721FH  
VB3021FH  
VB3321FH  
VB3621FH

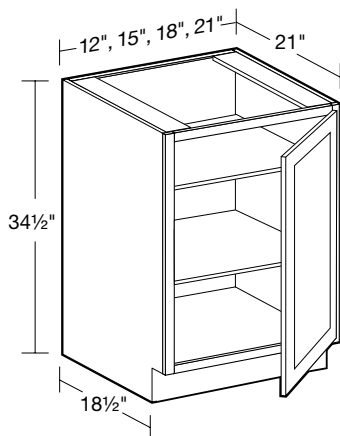


**FOR CUSTOM DEPTHS**

- Order **B24FH**, **B27FH**, **B30FH** or **B36FH**
- Select 9" to 23" depth

- Two adjustable shelves

## 21" Deep Single Full Height Door Vanity Base



**SPECIFY  
RIGHT or LEFT HINGED**

STANDARD  
21" DEPTHS

VB1221FH  
VB1521FH  
VB1821FH  
VB2121FH

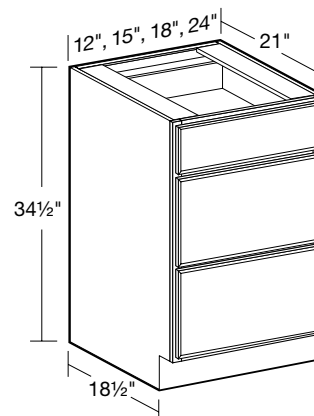


**FOR CUSTOM DEPTHS**

- Order **B12FH**, **B15FH**, **B18FH** or **B21FH**
- Select 9" to 23" depth

- Two adjustable shelves

## 21" Deep Vanity Base Drawer



STANDARD  
21" DEPTHS

VBD1221  
VBD1521  
VBD1821  
VBD2421

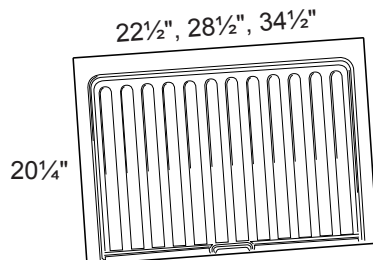


**FOR CUSTOM DEPTHS**

- Order **BD12**, **BD15**, **BD18** or **BD24**
- Select 15" to 23" depth

- One standard drawer
- Two deep drawers

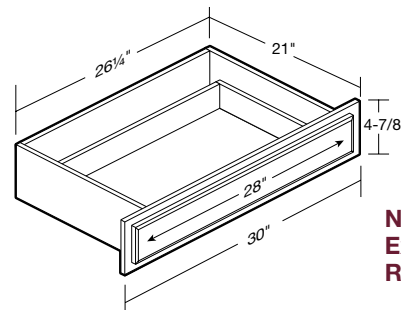
## 21" Deep Vanity Sink Base Liner



VSBL2124  
VSBL2730  
VSBL3336

- Helps protect sink cabinet from damage due to leaks in piping or drains
- VSBL2124 can be trimmed to fit VSB2121 or VSB2421
- VSBL2730 can be trimmed to fit VSB2721 or VSB3021
- VSBL3336 can be trimmed to fit VSB3321 or VSB3621
- Field installed
- Grey polystyrene easy to clean surface
- Not for use in custom-depth cabinetry

## 21" Deep Desk Knee Drawer



DKD30

**NOTE: Full  
Extension Soft-Close  
Runner Not Available**

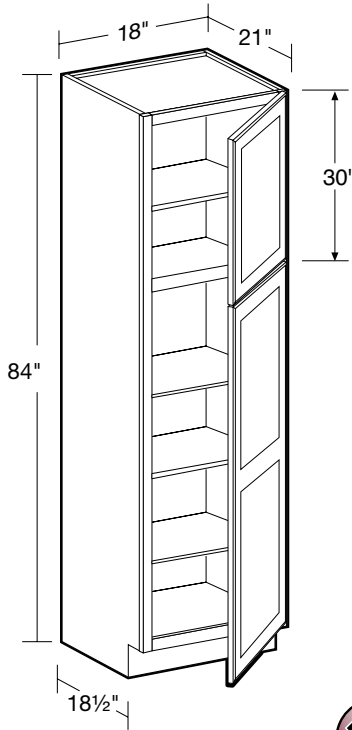
- One full width pencil/cosmetic drawer
- Knee drawer is designed for use between two desk base cabinets
- Comfortable height for dressing table or writing surface when installed at 28 1/2" height with 1 1/2" thick countertop
- Slab drawer front all door styles
- May be trimmed up to 1" on each side

# Vanity Linen & Wall Cabinets

## 21" Deep Two Door Linen

**SPECIFY  
RIGHT or LEFT HINGED**

**STANDARD  
21" DEPTH  
VLC182184**



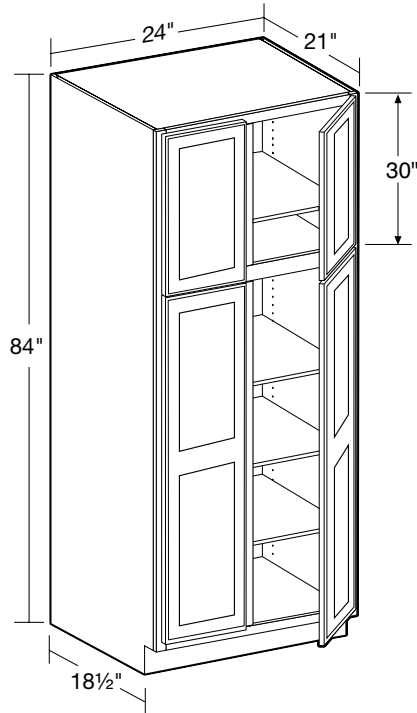
**FOR CUSTOM DEPTHS**

- Order **U182484**
- Select 9" to 23" depth

- One fixed shelf dividing upper and lower doors, four adjustable shelves
- Exposed sides require VTSK84

## 21" Deep Four Door Linen

**STANDARD  
21" DEPTH  
VLC242184**



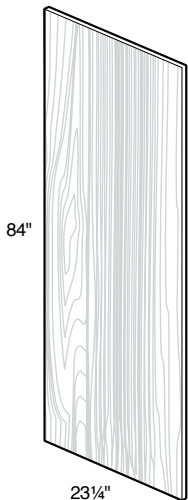
**FOR CUSTOM DEPTHS**

- Order **U242484**
- Select 9" to 23" depth

- One fixed shelf dividing upper and lower doors, four adjustable shelves
- Exposed sides require VTSK84

## Vanity Tall Skin

**VTSK84**

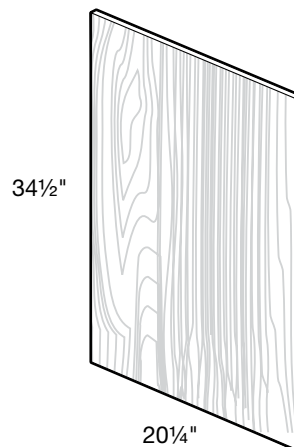


- 3/16" thick
- Field modified and installed
- Matching veneer plywood exterior for wood finishes
  - BG, CB, CN, MG, TG
- Matching painted MDF exterior for painted finishes
  - AW, PG, PW

**NOTE: Cannot be used in conjunction with Factory Finished Ends**

## Vanity Base Skin

**VBSK345**

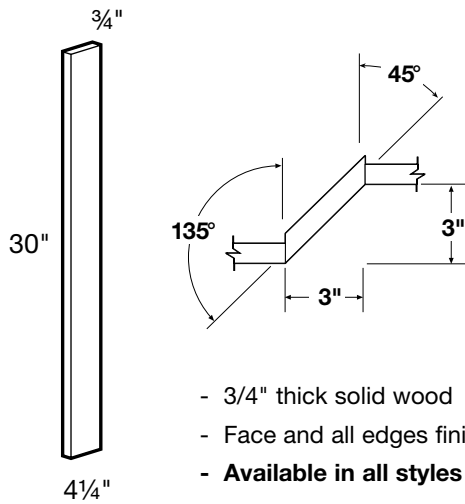


- 3/16" thick
- Field modified and installed
- Matching veneer plywood exterior for wood finishes
  - BG, CB, CN, MG, TG
- Matching painted MDF exterior for painted finishes
  - AW, PG, PW

**NOTE: Cannot be used in conjunction with Factory Finished Ends**

# Vanity Wall Cabinets

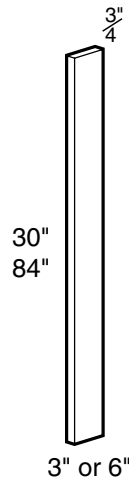
## Angle Fillers



**AF330**

- 3/4" thick solid wood
- Face and all edges finished
- Available in all styles except PG

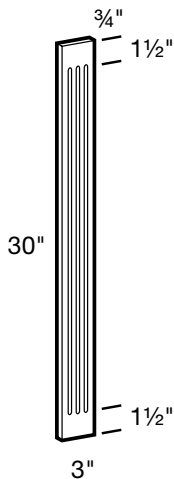
## Filler Strips



**FS30**  
**FS630**  
**FS84**

- 3/4" thick solid wood
- Face and all edges finished

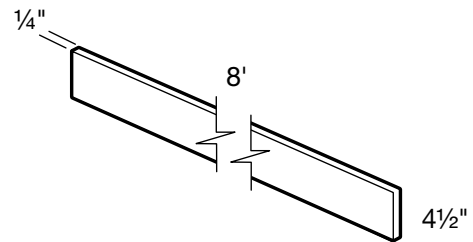
## Fluted Fillers



**FF330**

- 3/4" thick solid wood
- Face and all edges finished
- May be trimmed 1/2" each side
- Available in all styles except PG

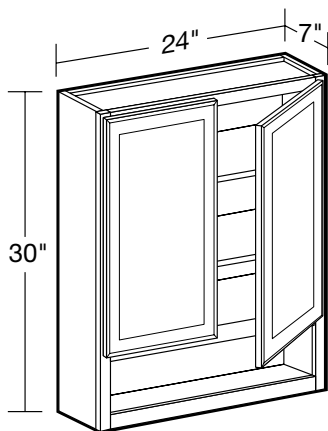
## Matching Toe Kick 8'



**MTK8**

- 1/4" thick wood veneer

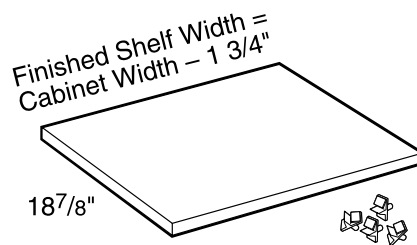
## 30" High x 7" Deep Vanity Wall Boutique



**VWB2430**

- Two adjustable shelves
- Matching interior and exterior standard

## Vanity Shelf Kit



**VSK1221**  
**VSK1521**  
**VSK1821**  
**VSK2121**  
**VSK2421**  
**VSK2721**  
**VSK3021**  
**VSK3321**  
**VSK3621**

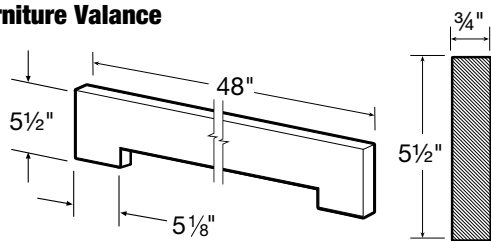
- 3/4" thick plywood with natural birch veneer finish
- Edgebanded on front edge

**EXAMPLE: 36" wide vanity cabinet uses Shelf Kit VSK3621**

# Molding

**Furniture Valance**

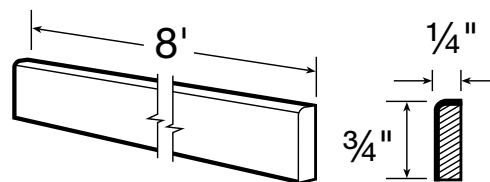
**FV48**



- 3/4" thick solid wood
- May be trimmed 3" on each end

**Scribe Molding**

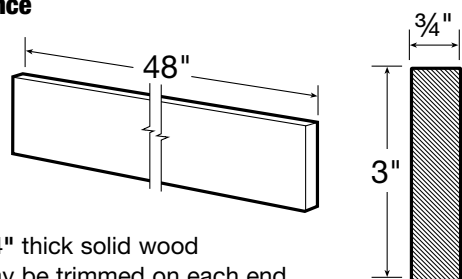
**SM8**



- 1/4" thick solid wood

**Valance**

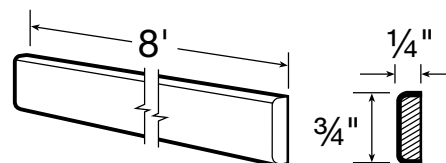
**VA48**



- 3/4" thick solid wood
- May be trimmed on each end

**Batten Molding**

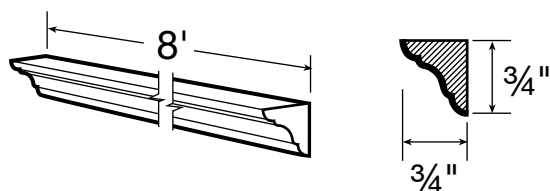
**BM8**



- 1/4" thick solid wood

**Inside Corner Molding**

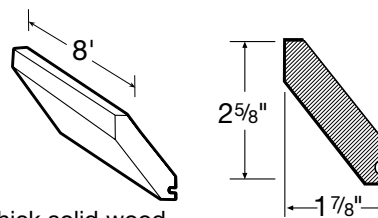
**ICM8**



- 3/4" thick solid wood

**Angle Crown Molding**

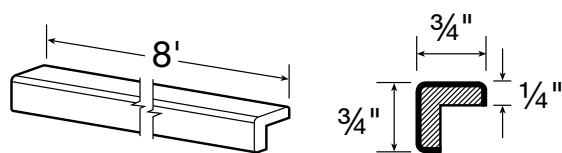
**ACM8**



- 3/4" thick solid wood
- Use with TMMS8 for top of cabinet installation
- Available in CB, CN, MG, PW and PG finishes ONLY

**Outside Corner Molding**

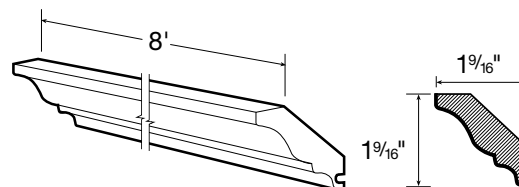
**OSC8**



- 3/4" thick solid wood

**Soffit Crown Molding**

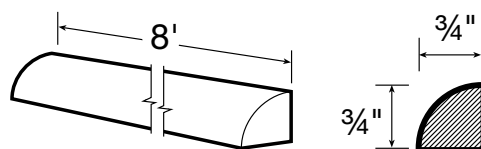
**SCM8**



- 3/4" thick solid wood
- Use with TMMS8 for top of cabinet installation

**Quarter Round**

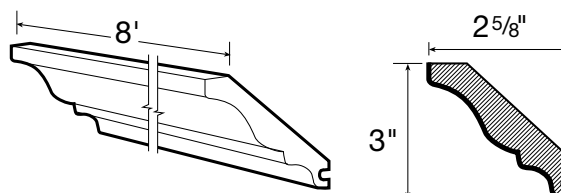
**QR8**



- 3/4" thick solid wood

**Crown Molding**

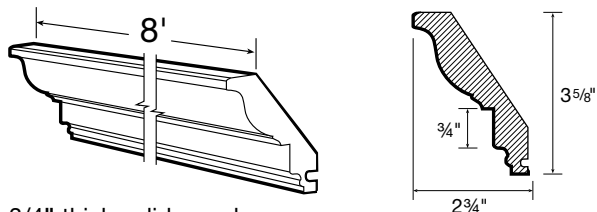
**CM8**



- 3/4" thick solid wood
- Use with TMMS8 for top of cabinet installation

## Classic Crown Molding

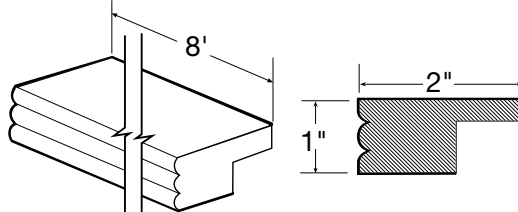
CCM8



- 3/4" thick solid wood
- Use with TMMS8 for top of cabinet installation
- Available in all styles except PG and AW

## Beaded Light Rail

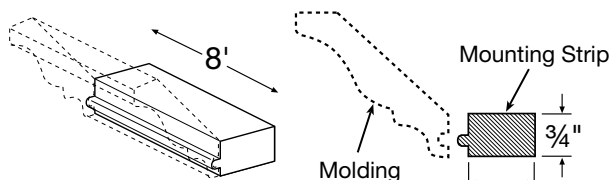
BLR8



- 1" thick solid wood

## Top Molding Mounting Strip

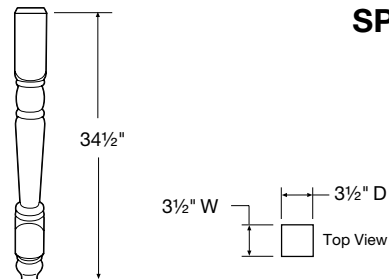
TMMS8



- 3/4" thick solid unfinished wood
- Recommended for installation of ACM8, CM8, CCM8, SCM8 moldings

## Spindle

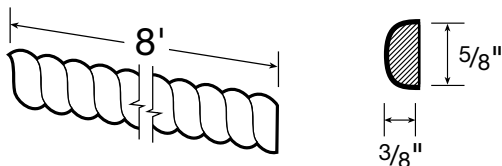
SPL



- Solid hardwood

## Rope Molding

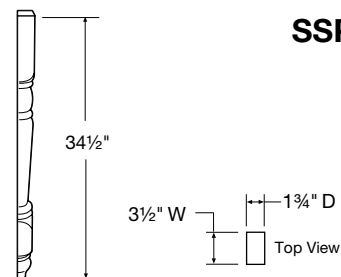
RM8



- 3/4" thick solid wood
- Available in all styles except PG

## Split Spindle

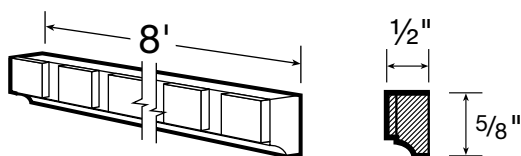
SSPL



- Solid hardwood
- Available in all styles except PG

## Dentil Molding

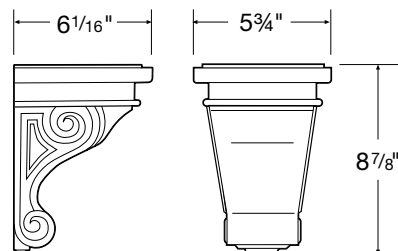
DM8



- 3/4" thick solid wood
- Available in all styles except PG

## Corbel

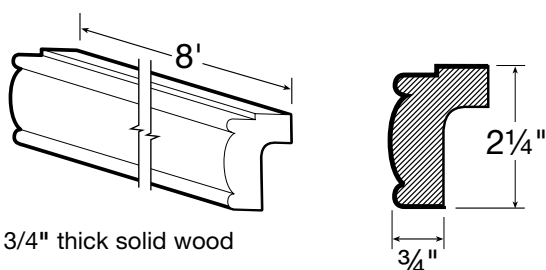
CBL



- Solid hardwood
- Available in all styles except AW, PW and PG

## Classic Light Rail

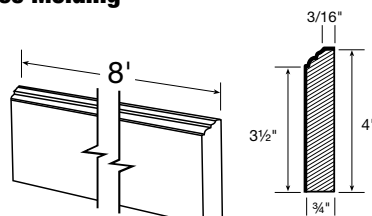
CLR8



- 3/4" thick solid wood

## Furniture Base Molding

FBM8



- 3/4" thick solid wood

NOTE: Thick dark lines indicate finished edges

# Decorative Hardware



- Euro railing pull
- Brushed nickel

## DH45-100 - 7" Euro Pull

3 $\frac{3}{4}$ " center (96mm)

## DH45-102 - 10" Euro Pull\*

6-15/16" center (176mm)

## DH45-104 - 13" Euro Pull\*

9 $\frac{3}{4}$ " center (248mm)



- Brushed steel

## DH44-346 - 8" Square Bar Pull

7 $\frac{1}{2}$ " center (196mm)

## DH44-348 - 9" Square Bar Pull

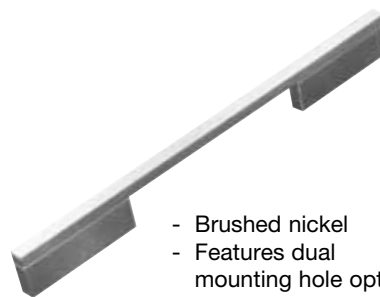
8-13/16" center (224mm)

## DH44-350 - 13" Square Bar Pull\*

12-5/8" center (320mm)

## DH44-352 - 19" Square Bar Pull\*

18-7/8" center (480mm)



- Brushed nickel
- Features dual mounting hole options

## DH116-120 - 10" Quadra Pull

5" inside center (128mm)

8-13/16" outside center (224mm)

## DH116-122 - 11" Quadra Pull

6-5/16" inside center (160mm)

10-1/16" outside center (256mm)

## DH116-126 - 14" Quadra Pull

8-13/16" inside center (224mm)

12-5/8" outside center (320mm)

## DH116-134 - 20" Quadra Pull\*

15-1/8" inside center (384mm)

18-7/8" outside center (480mm)

## DH116-136 - 24" Quadra Pull\*

18-7/8" inside center (480mm)

22-11/16" outside center (576mm)

\* Due to the overall length of this hardware, it is not compatible with drilling template HDWE TEMPLATE-AW.



# Decorative Hardware



**DH43-826**

- Elongated oval knob
- Antique pewter
- 2" length



**DH43-630**

- Elongated oval knob
- Oiled bronze
- 2" length



**DH43-618**

- Octagon knob
- Oiled bronze
- 1-3/8" diameter



**DH43-828**

- Classic pull
- Antique pewter
- 3-3/4" center (96mm)
- 4-3/4" outside length



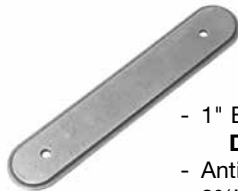
**DH43-632**

- Classic pull
- Oiled bronze
- 3-3/4" center (96mm)
- 4-3/4" outside length



**DH43-614**

- Traditional pull
- Oiled bronze
- 3-3/4" center (96mm)
- 4-1/2" outside length



**DH43-824**

- 1" Backplate for **DH43-828**
- Antique pewter
- 3 3/4" center (96mm)
- 5 1/4" outside length



**DH43-628**

- 1" Backplate for **DH43-632**
- Oiled bronze
- 3 3/4" center (96mm)
- 5 1/4" outside length



**DH43-628**

- 1" Backplate for **DH43-614**
- Oiled bronze
- 3-3/4" center (96mm)
- 5-1/4" outside length



**DH43-820**

- Screw-head cup pull
- Antique pewter
- 2-1/2" center (64mm)
- 4-1/8" outside length



**DH43-624**

- Screw-head cup pull
- Oil rubbed bronze
- 2-1/2" center (64mm)
- 4-1/8" outside length



**DH43-624**

- Screw-head cup pull
- Oil rubbed bronze
- 2-1/2" center (64mm)
- 4-1/8" outside length



**DH99-188**

- Round knob
- Brushed nickel
- 1-1/4" diameter



**DH93-152**

- Raised mitered knob
- Antique pewter
- 1-3/8" square



**DH43-124**

- Octagon knob
- Antique silver
- 1-3/8" diameter



**DH99-128**

- Contemporary bow pull
- Brushed nickel
- 3-3/4" center (96mm)
- 5-1/4" outside length



**DH93-112**

- Raised mitered pull
- Antique pewter
- 3-3/4" (96mm) & 5" (128mm) center
- 6-3/8" outside length



**DH43-114**

- Traditional pull
- Antique silver
- 3-3/4" center (96mm)
- 4-1/2" outside length

# Decorative Hardware

**DH65-200**



- Birdcage knob
- Antique iron
- 2-1/2" length

**DH88-104**



- Arrowhead knob
- Antique pewter
- 3-1/2" length

**DH65-120**



- Birdcage pull
- Antique iron
- 3-3/4" center (96mm)
- 4" outside length

**DH88-110**



- Arrowhead pull
- Antique pewter
- 5" center (128mm)
- 7-1/2" outside length

**DH95-144**



- Square dimpled knob
- Matte nickel
- 1-1/4" square

**DH87-102**



- Square ribbed knob
- Brushed nickel
- 1" square

**HDWE TEMPLATE-AW**

**Hardware Drilling Template**

Align with door frame to quickly and accurately mark hole locations.



**DH95-104**



- Square dimpled pull
- Matte nickel
- 6-5/16" center (160mm)
- 7-1/2" outside length

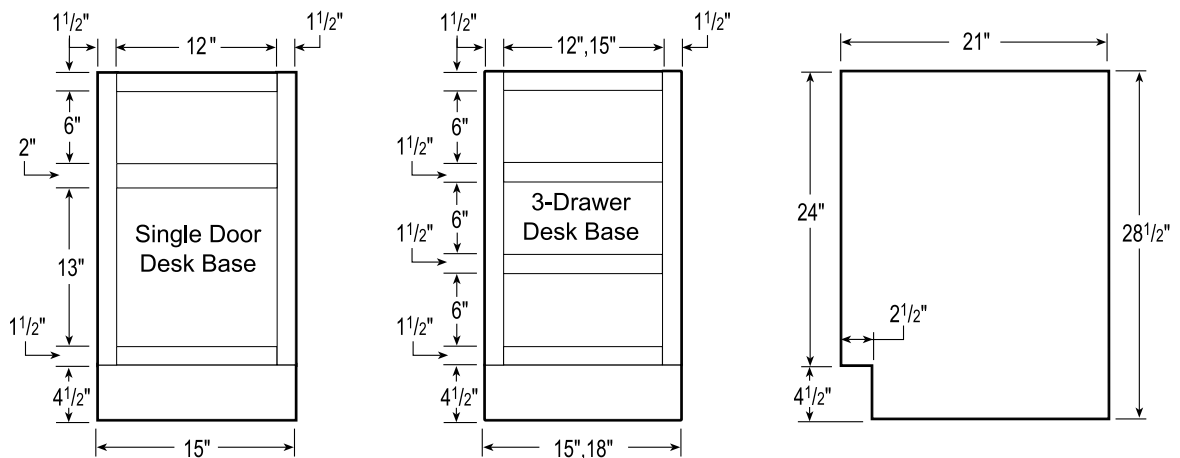
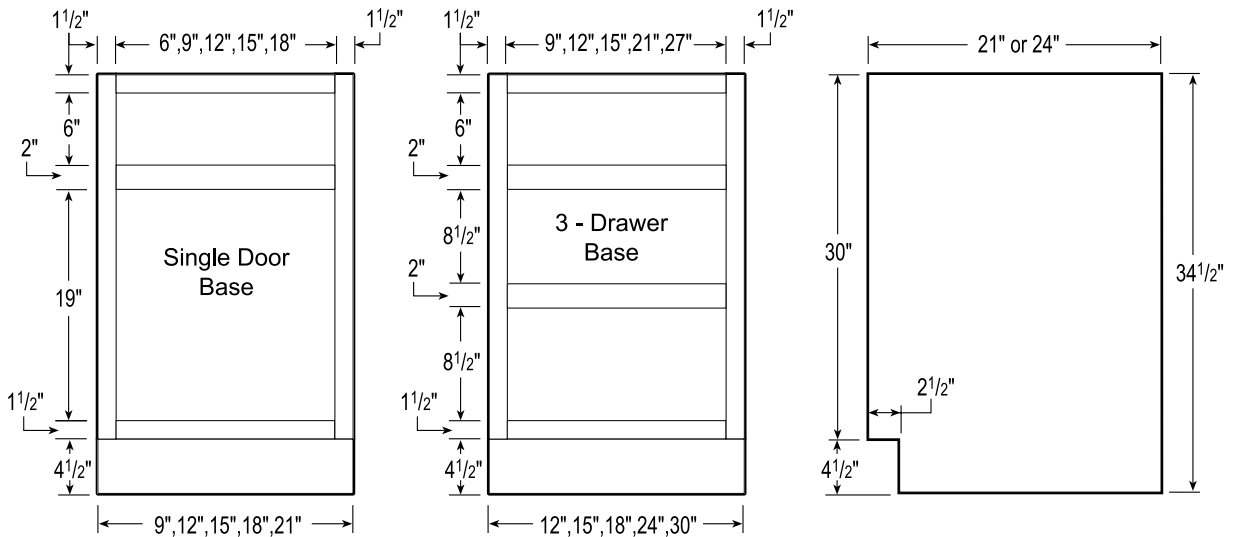
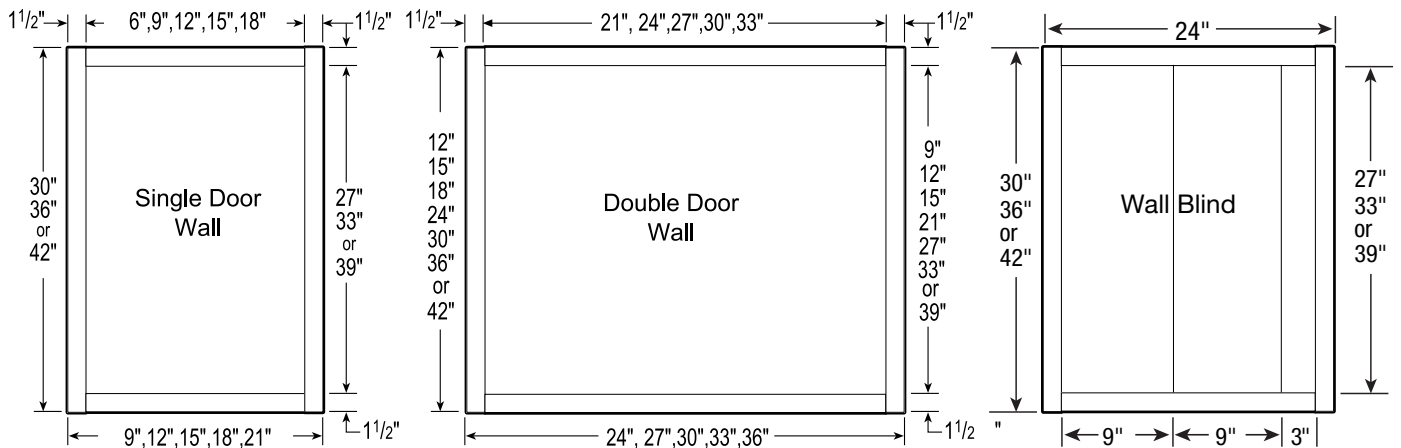
**DH87-112**



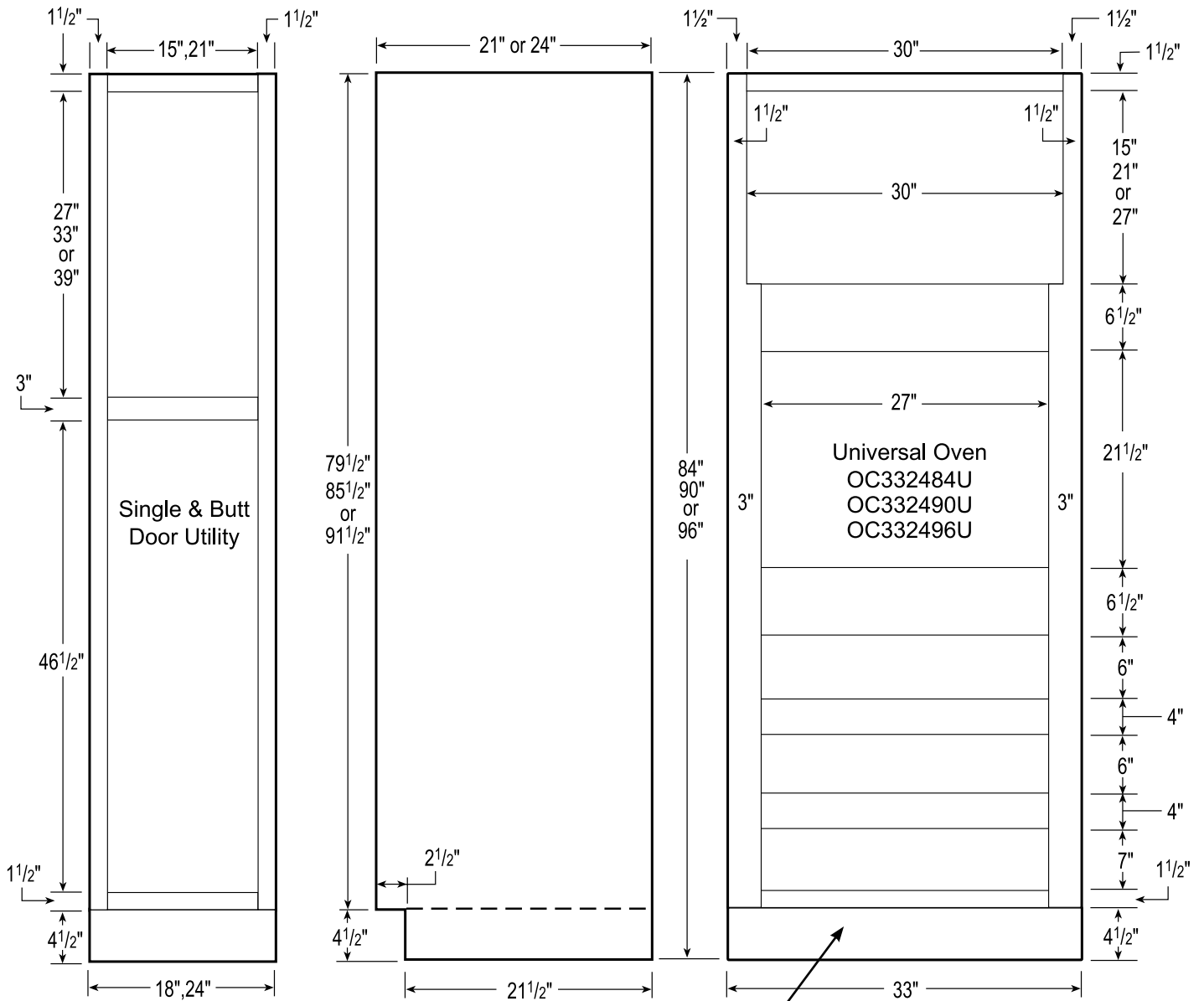
- Ribbed bow pull
- Brushed nickel
- 3-3/4" center (96mm)
- 4-11/16" outside length

**NOTE:** Refer to the individual decorative hardware size specifications to determine compatibility with this template.

# Cabinet Frame & Opening Dimensions

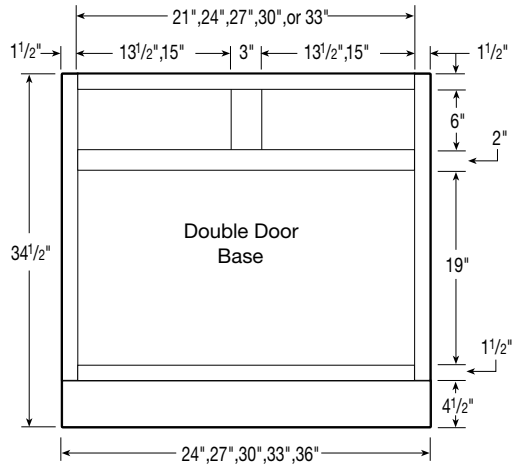


# Cabinet Frame & Opening Dimensions

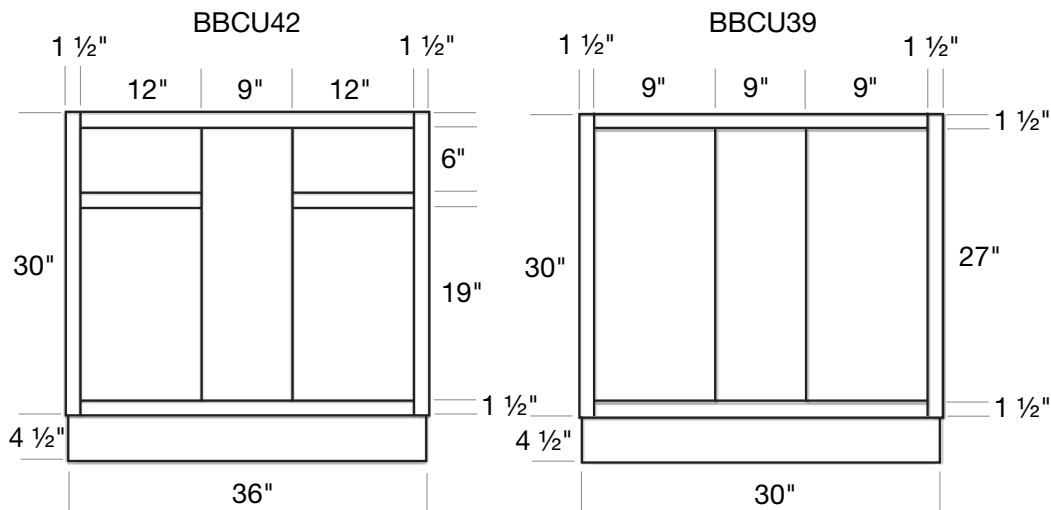


**NOTE: 96" TALL CABINETS ARE SUPPLIED WITH LOOSE TOE KICK BOX (EXPOSED SIDES REQUIRE TSK96)**

# Cabinet Frame & Opening Dimensions

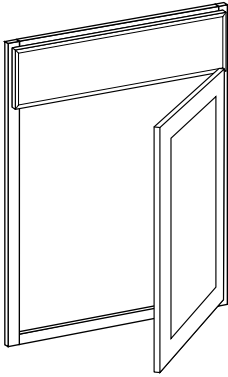


NOTE: B27, B30 have full width drawers



DRAWER BOX INSIDE DIMENSIONS						
CABINET	SHALLOW DRAWER			DEEP DRAWER		
	HEIGHT	DEPTH	WIDTH	HEIGHT	DEPTH	WIDTH
B12, BD12	4-3/8"	19-11/16"	6-7/8"	6-3/4"	19-11/16"	6-7/8"
VB1221, VBD1221	4-3/8"	16-11/16"	6-7/8"	6-3/4"	16-11/16"	6-7/8"
B15, BBCU42, BD15	4-3/8"	19-11/16"	9-7/8"	6-3/4"	19-11/16"	9-7/8"
VB1521, VBD1521	4-3/8"	16-11/16"	9-7/8"	6-3/4"	16-11/16"	9-7/8"
DDO15, DDR15	4-3/8"	19-11/16"	9-7/8"	N/A	N/A	N/A
B18, BD18	4-3/8"	19-11/16"	12-7/8"	6-3/4"	19-11/16"	12-7/8"
VB1821, VBD1821	4-3/8"	16-11/16"	12-7/8"	6-3/4"	16-11/16"	12-7/8"
B21	4-3/8"	19-11/16"	15-7/8"	N/A	N/A	N/A
B24, BD24	4-3/8"	19-11/16"	18-7/8"	6-3/4"	19-11/16"	18-7/8"
VB2421	4-3/8"	16-11/16"	18-7/8"	N/A	N/A	N/A
B27	4-3/8"	19-11/16"	21-7/8"	N/A	N/A	N/A
B30, BD30	4-3/8"	19-11/16"	24-7/8"	6-3/4"	19-11/16"	24-7/8"
VB3021	4-3/8"	16-11/16"	24-7/8"	N/A	N/A	N/A
B33	4-3/8"	19-11/16"	11-1/4"	N/A	N/A	N/A
B36, BD36	4-3/8"	19-11/16"	12-7/8"	6-3/4"	19-11/16"	30-7/8"
VB3621	4-3/8"	16-11/16"	12-7/8"	N/A	N/A	N/A
OC332484U, OC332490U, OC332496U	4-3/8"	19-11/16"	24-7/8"	N/A	N/A	N/A

## CFO - Cabinet Fronts Only - Availability Guide



- Most cabinets can be ordered as "Cabinet Fronts Only" (CFO)
- Face frames, doors, hinges, and bumpers will be supplied and shipped loose
- Doors are pre-drilled for hinge installation
- In addition, plastic corner blocks will be supplied for false front installation requirements

CABINET	CFO CABINET FRONT
W0930	CFOW0930
W0936	CFOW0936
W0942	CFOW0942
W1230	CFOW1230
W1236	CFOW1236
W1242	CFOW1242
W1530	CFOW1530
W1536	CFOW1536
W1542	CFOW1542
W1830	CFOW1830
W1836	CFOW1836
W1842	CFOW1842
W2130	CFOW2130
W2136	CFOW2136
W2142	CFOW2142
W2430	CFOW2430
W2436	CFOW2436
W2442	CFOW2442
W2730	CFOW2730
W2736	CFOW2736
W2742	CFOW2742
W3012	CFOW3012
W3015	CFOW3015
W3018	CFOW3018
W3024	CFOW3024
W3030	CFOW3030
W3036	CFOW3036

CABINET	CFO CABINET FRONT
W3042	CFOW3042
W3315	CFOW3315
W3330	CFOW3330
W3336	CFOW3336
W3342	CFOW3342
W3612	CFOW3612
W3615	CFOW3615
W3618	CFOW3618
W3624	CFOW3624
W3630	CFOW3630
W3636	CFOW3636
W3642	CFOW3642
B12	CFOB12
B15	CFOB15
B18	CFOB18
B21	CFOB21
B24	CFOB24
B27	CFOB27
B30	CFOB30
B33	CFOB33
B36	CFOB36
U1884	CFOU1884
U1890	CFOU1890
U1896	CFOU1896
U2484	CFOU2484
U2490	CFOU2490
U2496	CFOU2496











HOME  
DECORATORS  
COLLECTION

[hdckitchens.com](http://hdckitchens.com)

Semi-Custom Kitchen & Bath Cabinetry

LEARN MORE



Instant Kitchen  
Estimator

LEARN MORE



Cabinet  
Quality

LEARN MORE



Free Color  
Samples

LEARN MORE



Measuring  
Guide



Member  
**NKBA**



CARB2  
compliant