

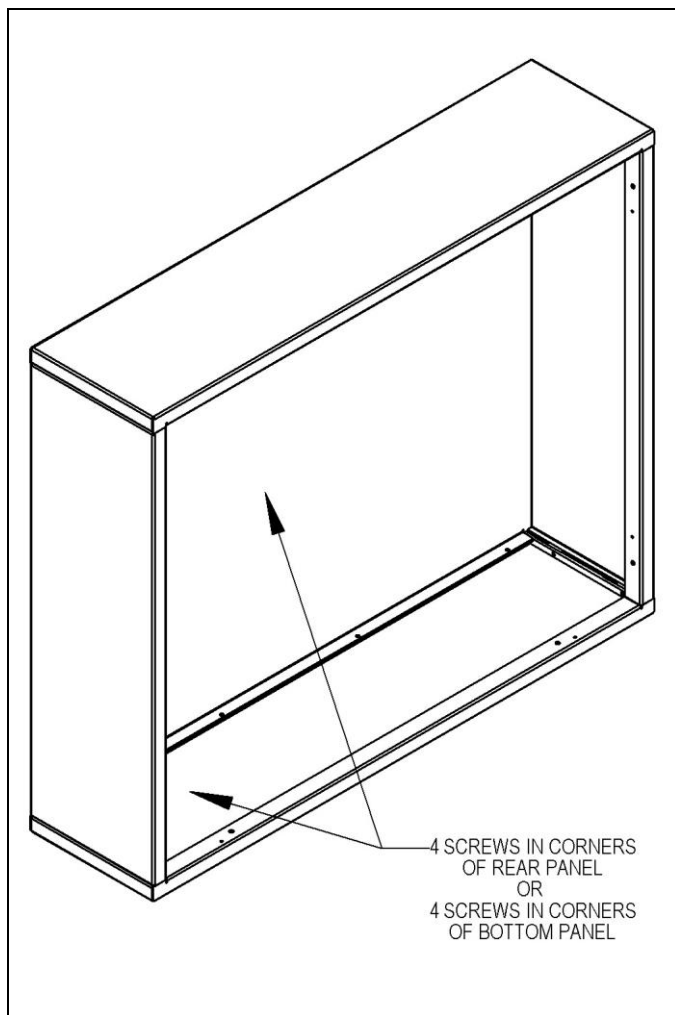
Cell Phone Lockers - 19000 Series

Surface Mounted Installation Instructions

The surface mounted cell phone locker may be installed on the surface of a wall, on a table or a counter top. It is the installer's responsibility to ensure the unit is properly anchored to prevent tearing out of a wall or tipping over on a table or counter top.

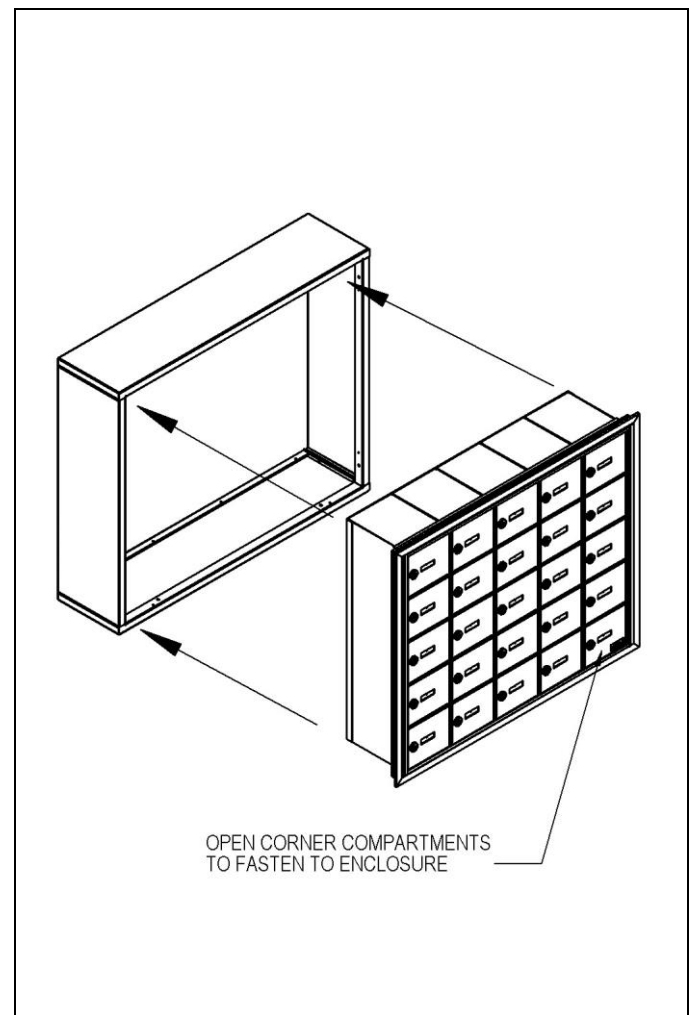
Installation of the Surface Mounted Enclosure

Remove the locker unit from the enclosure. Drill mounting holes in the enclosure to fasten it to the mounting surface. It is important to use at least four (4) fasteners (not provided) and place one each at the four (4) corners of the mounting surface (either on the rear panel or the bottom panel). Choose appropriate hardware for the particular conditions of the installation.



Installing the Cell Phone Locker into the Enclosure

Install the locker unit into the enclosure by sliding it into the enclosure until its front peripheral flange is flush against the front of the enclosure. Open the four corner compartments of the cell phone locker. Install #8 x 1-1/4 in. long screws (provided) through the top and bottom of the locker unit into the enclosure. Close the compartment doors.



SALSBURY INDUSTRIES

1010 East 62nd Street, Los Angeles, CA 90001-1598
Phone: 1-800-624-5269 Int'l Phone: 323-846-6700
Fax: 1-800-624-5299 Int'l Fax: 323-846-6800

Cell Phone Lockers - 19000 Series

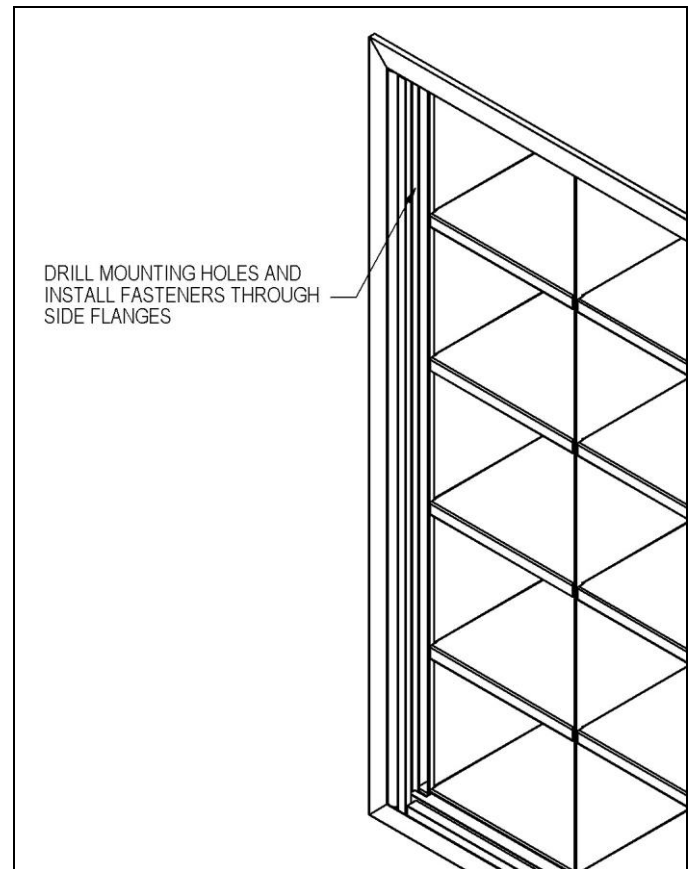
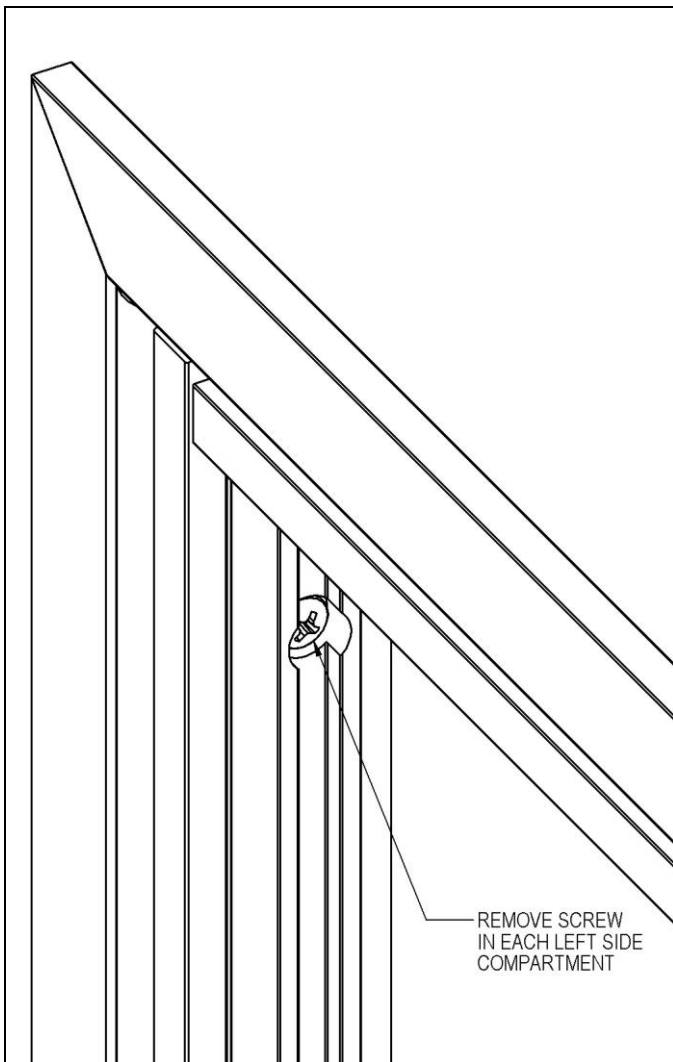
Recessed Mounted Installation Instructions

The recessed mounted cell phone locker must be securely supported by a frame constructed of 2"x4" or 2"x6" lumber. Construct support framing as shown on page 4 of these instructions. Cut a hole in the wall according to the Rough Opening Dimensions calculated on page 3.

Installation Instructions

Place the unit in the rough opening. Open all left hand compartment doors. Locate a screw in each compartment fastened into the left vertical door frame member (some compartments may not have a screw). Remove screws.

Open the master door and drill mounting holes through the sides of the peripheral flange of the locker unit. Fasten the unit (hardware not provided) to the support framing. Close the master door and re-install the removed screws.



Notes

1. Wall opening and lumber frame must be square.
2. Do not deform, force, or twist the locker frame to fit an incorrect rough opening or fit against an irregular surface.

SALSBURY INDUSTRIES

1010 East 62nd Street, Los Angeles, CA 90001-1598
Phone: 1-800-624-5269 Int'l Phone: 323-846-6700
Fax: 1-800-624-5299 Int'l Fax: 323-846-6800

Cell Phone Lockers - 19000 Series

Recessed Mounted Installation Instructions

Overall Dimensions and Rough Opening Dimensions

Overall Dimensions – 8” Deep Compartments

7 Doors High		Width	Height	Depth
19078-14	2 “A” Doors Wide	16-1/4”	40-3/4”	9”
19078-21	3 “A” Doors Wide	22-3/4”	40-3/4”	9”
19078-24	4 “A” Doors Wide	29-1/4”	40-3/4”	9”
19078-35	5 “A” Doors Wide	35-3/4”	40-3/4”	9”
6 Doors High				
19068-10	2 “A” Doors Wide	16-1/4”	35-1/4”	9”
19068-18	3 “A” Doors Wide	22-3/4”	35-1/4”	9”
19068-20	4 “A” Doors Wide	29-1/4”	35-1/4”	9”
19068-30	5 “A” Doors Wide	35-3/4”	35-1/4”	9”
5 Doors High				
19058-09	2 “A” Doors Wide	16-1/4”	29-3/4”	9”
19058-10	2 “B” Doors Wide	29-1/4”	29-3/4”	9”
19058-15	3 “A” Doors Wide	22-3/4”	29-3/4”	9”
19058-16	4 “A” Doors Wide	29-1/4”	29-3/4”	9”
19058-20	4 “A” Doors Wide	29-1/4”	29-3/4”	9”
19058-25	5 “A” Doors Wide	35-3/4”	29-3/4”	9”
4 Doors High				
19048-07	2 “A” Doors Wide	16-1/4”	24-1/4”	9”
19048-12	3 “A” Doors Wide	22-3/4”	24-1/4”	9”
19048-14	4 “A” Doors Wide	29-1/4”	24-1/4”	9”
19048-20	5 “A” Doors Wide	35-3/4”	24-1/4”	9”
3 Doors High				
19038-06	2 “A” Doors Wide	16-1/4”	18-3/4”	9”
19038-09	3 “A” Doors Wide	22-3/4”	18-3/4”	9”
19038-10	4 “A” Doors Wide	29-1/4”	18-3/4”	9”
19038-15	5 “A” Doors Wide	35-3/4”	18-3/4”	9”

Overall Dimensions – 5” Deep Compartments

7 Doors High		Width	Height	Depth
19075-14	2 “A” Doors Wide	16-1/4”	40-3/4”	6”
19075-21	3 “A” Doors Wide	22-3/4”	40-3/4”	6”
19075-24	4 “A” Doors Wide	29-1/4”	40-3/4”	6”
19075-35	5 “A” Doors Wide	35-3/4”	40-3/4”	6”
6 Doors High				
19065-10	2 “A” Doors Wide	16-1/4”	35-1/4”	6”
19065-18	3 “A” Doors Wide	22-3/4”	35-1/4”	6”
19065-20	4 “A” Doors Wide	29-1/4”	35-1/4”	6”
19065-30	5 “A” Doors Wide	35-3/4”	35-1/4”	6”
5 Doors High				
19055-09	2 “A” Doors Wide	16-1/4”	29-3/4”	6”
19055-10	2 “B” Doors Wide	29-1/4”	29-3/4”	6”
19055-15	3 “A” Doors Wide	22-3/4”	29-3/4”	6”
19055-16	4 “A” Doors Wide	29-1/4”	29-3/4”	6”
19055-20	4 “A” Doors Wide	29-1/4”	29-3/4”	6”
19055-25	5 “A” Doors Wide	35-3/4”	29-3/4”	6”
4 Doors High				
19045-07	2 “A” Doors Wide	16-1/4”	24-1/4”	6”
19045-12	3 “A” Doors Wide	22-3/4”	24-1/4”	6”
19045-14	4 “A” Doors Wide	29-1/4”	24-1/4”	6”
19045-20	5 “A” Doors Wide	35-3/4”	24-1/4”	6”
3 Doors High				
19035-06	2 “A” Doors Wide	16-1/4”	18-3/4”	6”
19035-09	3 “A” Doors Wide	22-3/4”	18-3/4”	6”
19035-10	4 “A” Doors Wide	29-1/4”	18-3/4”	6”
19035-15	5 “A” Doors Wide	35-3/4”	18-3/4”	6”

Calculation of Overall Dimensions of Multiple Units

Width and height of outside trim frame of each unit:

Overall Width = No. of doors wide times 6-1/2” plus 3-1/4”

Note - “B” door count as 2 “A” doors wide

Overall Height = No. of doors high times 5-1/2” plus 2-1/4”

Calculation of Rough Opening Dimensions

Width of Rough Opening = Overall Width less 1”

(For multiple units = Sum of Overall Widths less 1”)

Height of Rough Opening = Overall Height less 1”

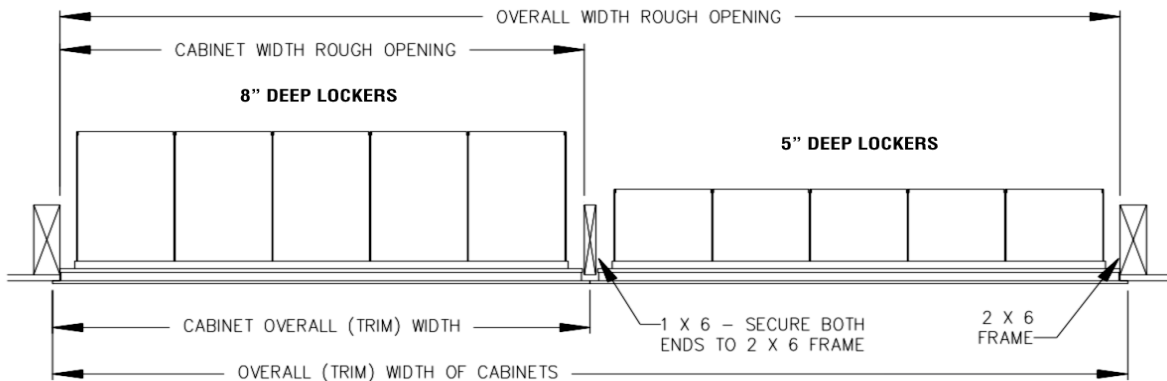
SALSBURY INDUSTRIES

1010 East 62nd Street, Los Angeles, CA 90001-1598
 Phone: 1-800-624-5269 Int'l Phone: 323-846-6700
 Fax: 1-800-624-5299 Int'l Fax: 323-846-6800

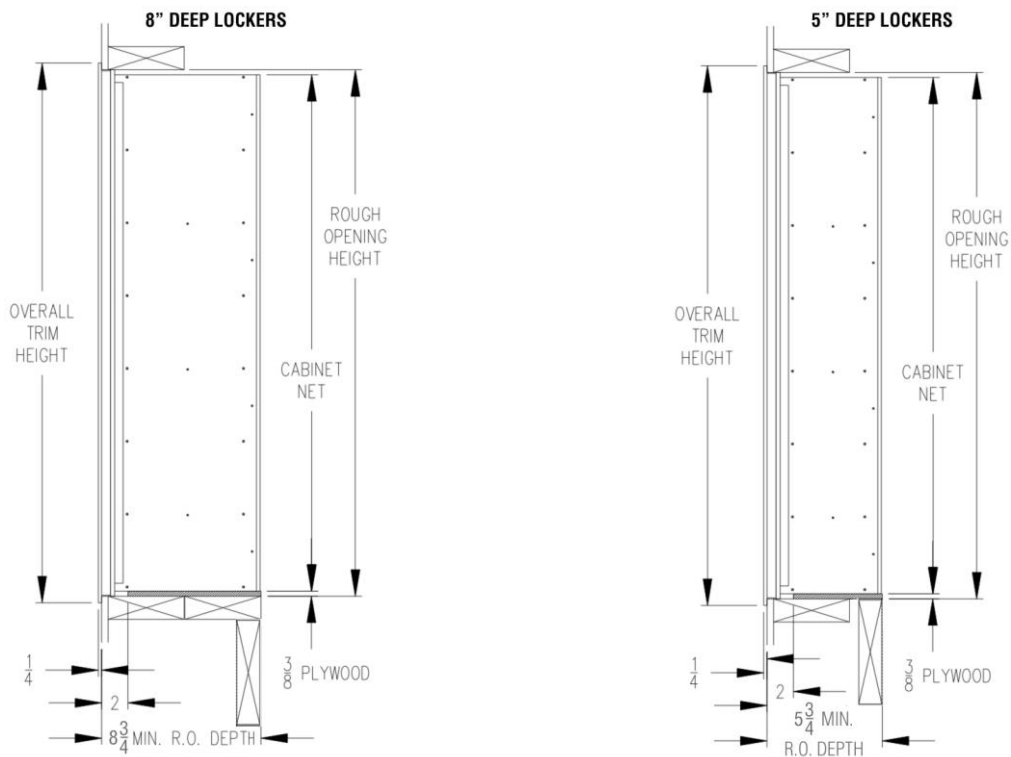
Cell Phone Lockers – 19000 Series

Recessed Mounted Installation Instructions

Top View of Cell Phone Lockers in Wall



Side View of Cell Phone Lockers in Wall



SALSBUURY INDUSTRIES

1010 East 62nd Street, Los Angeles, CA 90001-1598
 Phone: 1-800-624-5269 Int'l Phone: 323-846-6700
 Fax: 1-800-624-5299 Int'l Fax: 323-846-6800

Cell Phone Lockers – 19000 Series

Identification Window Installation Instructions

Ir

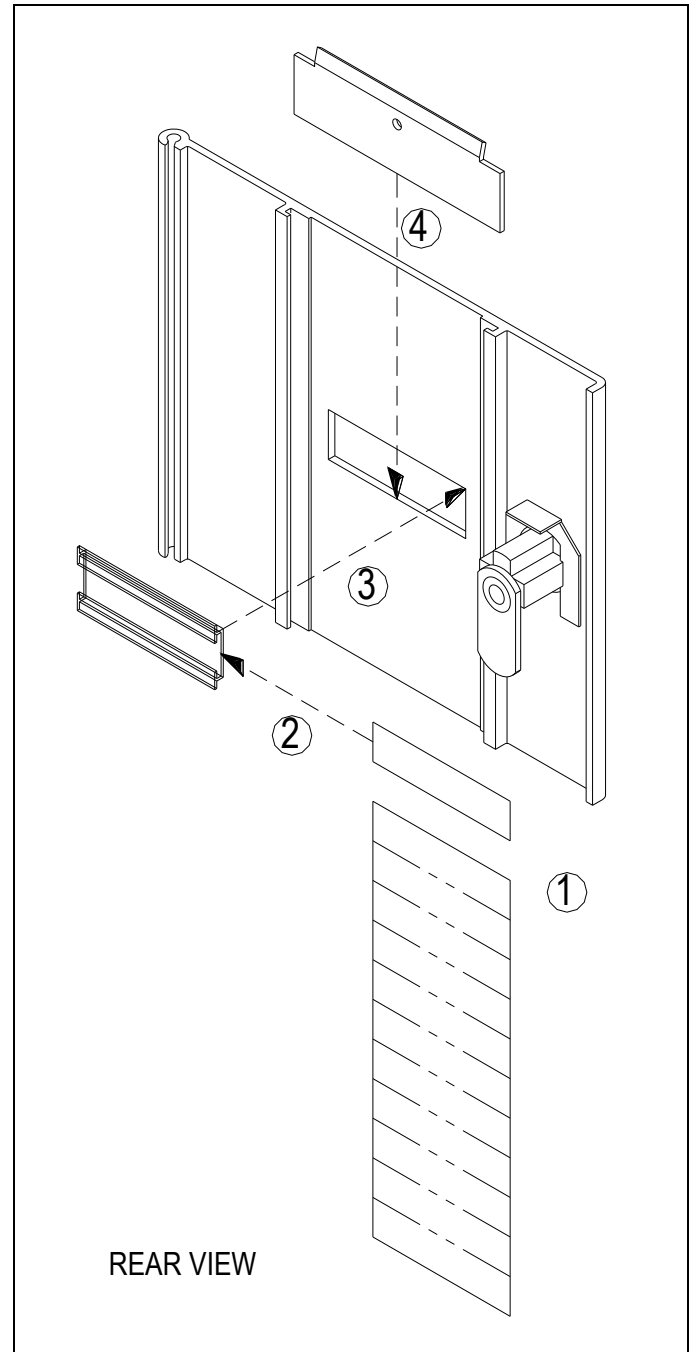
ld
w
fo
TI
th

1.
or
th

2.
m

3.
in
th

4.
to
w
of



PHONE: 1-800-624-5209
Fax: 1-800-624-5299

PHONE: 323-846-6700
Int'l Fax: 323-846-6800

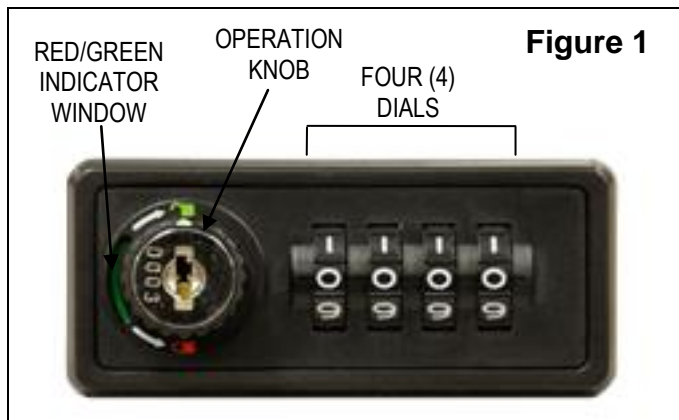
Cell Phone Lockers – 19000 Series

Resettable Combination Lock Operating & Resetting Instructions

Resettable Combination Lock

The resettable combination lock is a durable and easy-to-use lock providing resettable combination access without the need for keys. **Please read this entire page before use.**

The lock has a four (4) digit combination setting. When the lock is locked (closed), a red indicator appears in a window next to the operation knob. When the lock is unlocked (open), a green indicator appears in the window. See Figure 1.



There are two (2) modes of operation: fixed combination or resettable combination. In fixed combination mode, the lock is continually opened and closed with the same custom combination that was set. In the resettable combination mode, the combination may be changed after each time the lock is opened.

The factory preset combination is 0000. Master key operation may be used at any time to open a lock.

Setup for a Fixed Combination

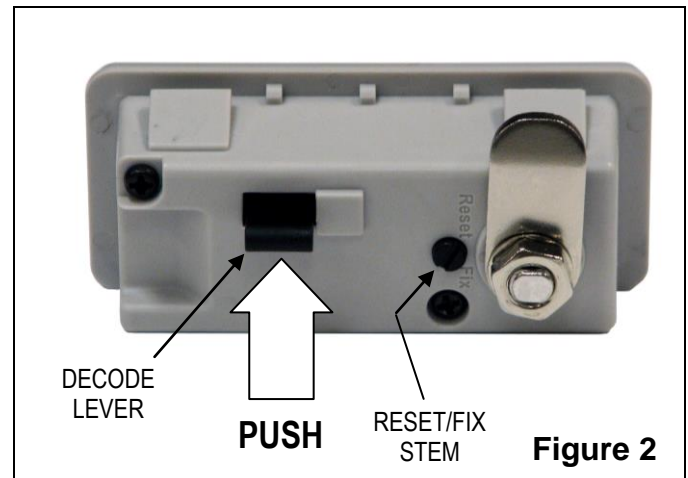
1. If locked, turn the four (4) dials to the factory preset combination (0000) or the known combination that unlocks the lock.
2. Turn the operation knob clockwise 180° to the open position. The indicator in the window will turn from red to green.
3. Turn the reset/fix stem on the back of the lock from the "Fix" to the "Reset" position. See Figure 2.
4. Returning to the front of the lock, set the desired custom fixed combination on the four (4) dials.
5. On the back of the lock, return the reset/fix button back to "Fix".

The lock is now set to continuously open using the custom fixed combination. After locking, scrambling the four (4) dials will secure the contents.

Setup for a Resettable Combination

1. If locked, turn the four (4) dials to the factory preset combination (0000) or the known combination that unlocks the lock.
2. Turn the operation knob clockwise 180° to the open position. The indicator in the window will turn from red to green.
3. Turn the reset/fix stem on the back of the lock from the "Fix" to the "Reset" position. Leave the button in this position. See Figure 2.
4. Close the door. Do not lock it.

The lock combination can now be resettable by the user setting their own desired combination before turning the operation knob to the locked position (red window indicator). After locking, scrambling the four (4) dials will secure the contents.



Decode Operation

Used to determine lock combination.

1. Open the door. Use the master key if necessary.
2. Push the decode lever up and while holding it, rotate each of the dials on the front of the lock until it stops or there is a "click" sound. Release the decode lever.
4. Each dial will now be in the "open" combination position.

SALSBURY INDUSTRIES

1010 East 62nd Street, Los Angeles, CA 90001-1598
Phone: 1-800-624-5269 Int'l Phone: 323-846-6700
Fax: 1-800-624-5299 Int'l Fax: 323-846-6800