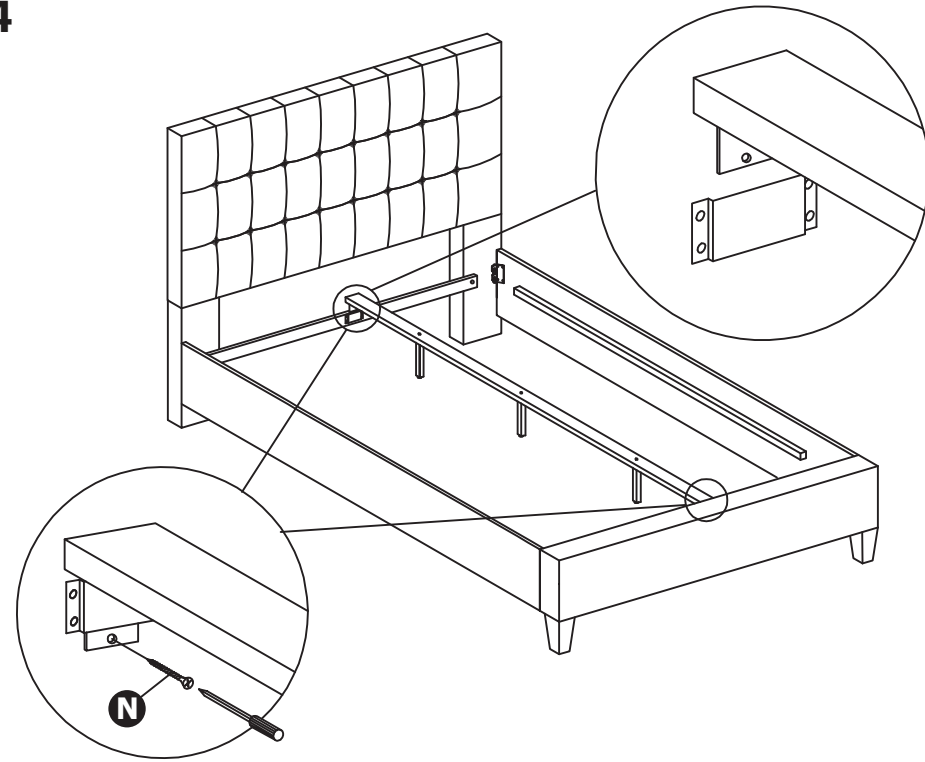


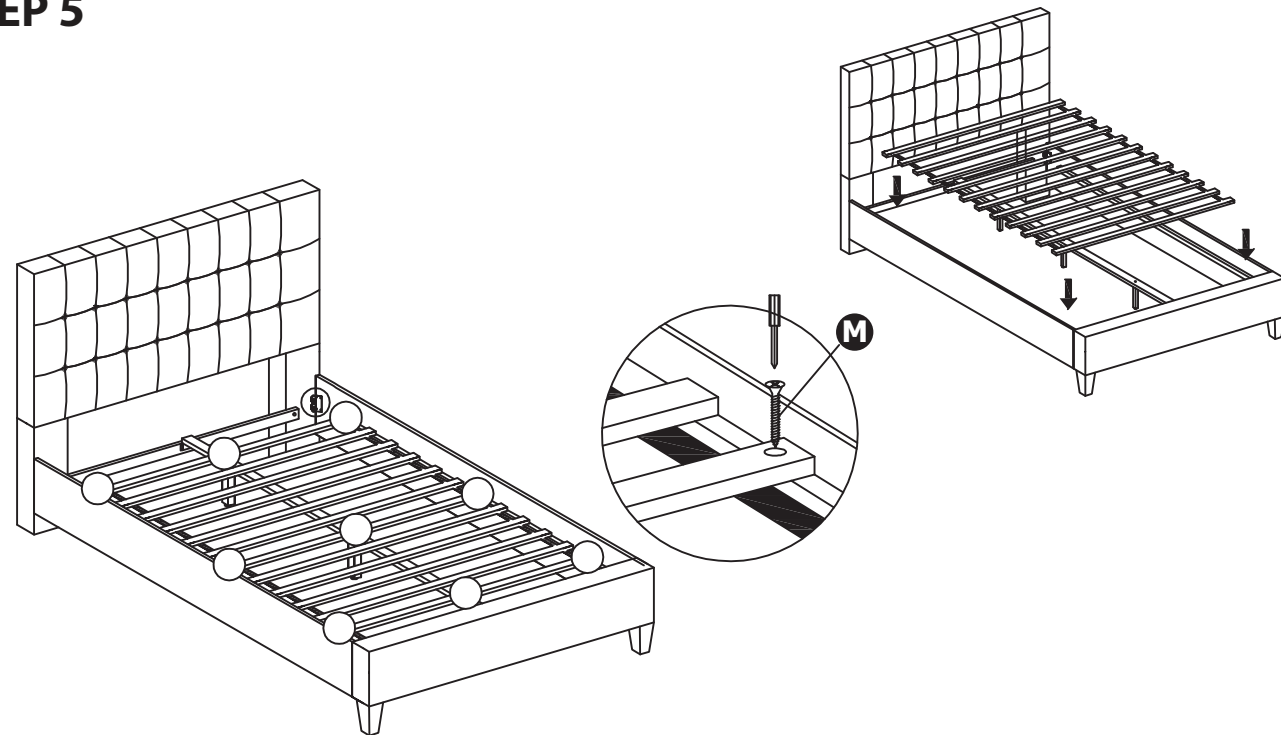
ASSEMBLY INSTRUCTIONS (CONTINUED)

STEP 4



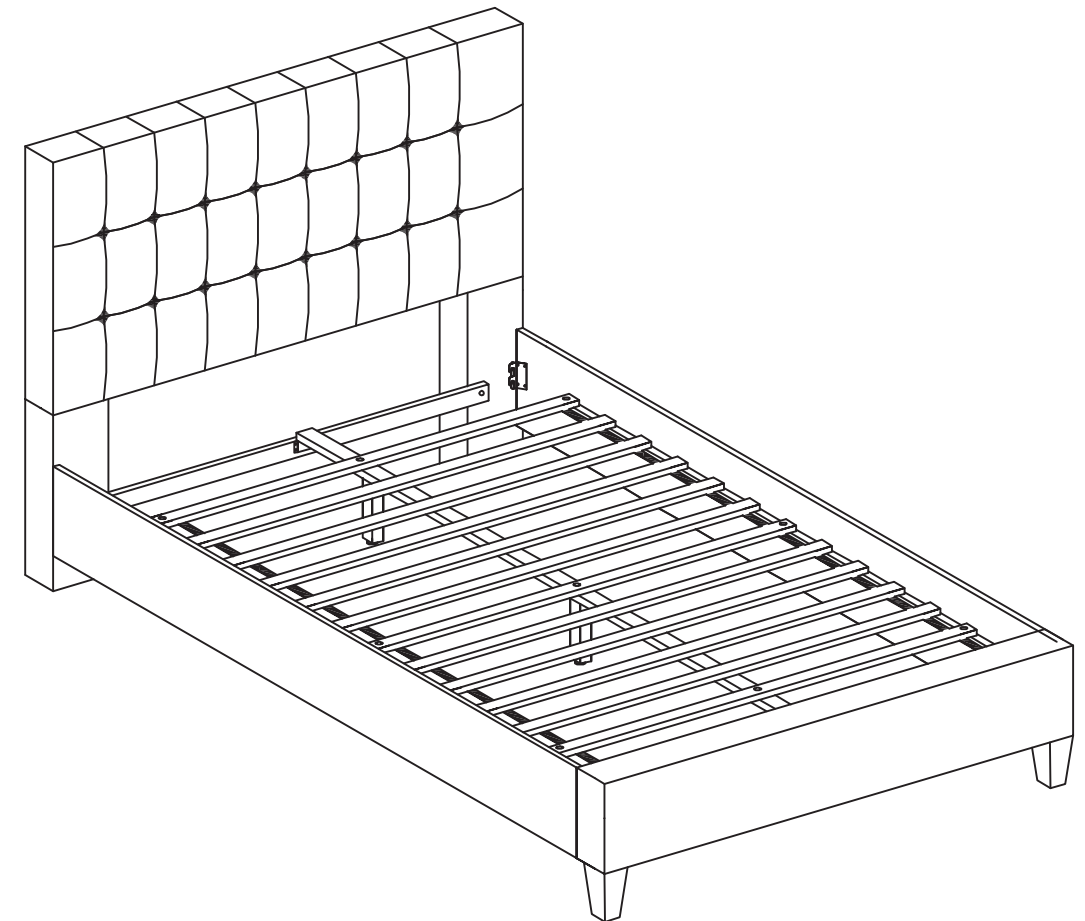
Insert the Center Support into the brackets on the Headboard Rail and Footboard.
Secure the Center Support in place with one 16mm screw (Part N) at each end of the Center Support.

STEP 5



Roll out the Wood Slat System (Part F) and secure it in place with nine 32mm screws (Part M) using the pre-drilled holes and a phillips screwdriver.

Platform Bed Assembly Instructions Contains One Bed and Hardware



Platform Bed

Contains One (1) Bed and Hardware

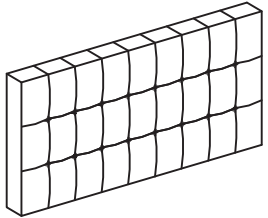
IMPORTANT NOTE:

Carefully remove all the parts from the box. Arrange on a flat surface and verify you have all of the following parts and hardware.

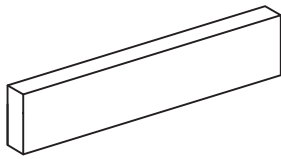
TOOLS REQUIRED:
Phillips Screwdriver

PARTS LIST

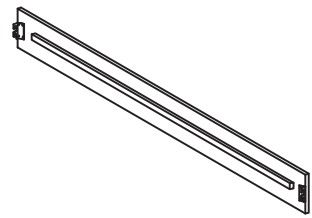
A. Headboard (1 pc)



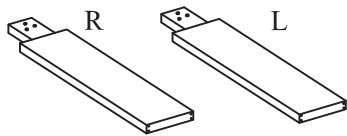
B. Footboard (1 pc)



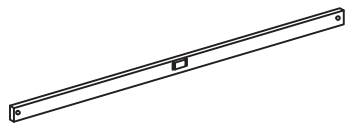
C. Siderail (2 pcs)



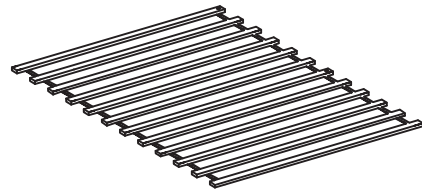
D. Headboard Leg (2 pcs)



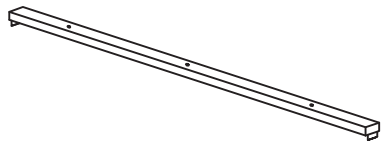
E. Headboard Rail (1 pc)



F. Wood Slat System (1 pc)



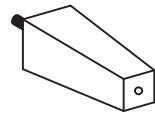
G. Center Support (1 pc)



H. Center Leg (3 pcs)

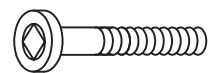


I. Footboard Leg (2 pcs)

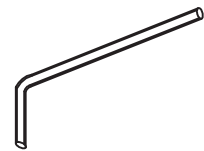


HARDWARE LIST

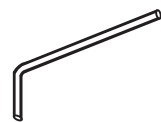
J. Bolt (11 pcs)



K. Large Hex Key (1 pc)



L. Small Hex Key (1 pc)



M. 32mm Screw (9 pcs)



N. 16mm Screw (2 pcs)

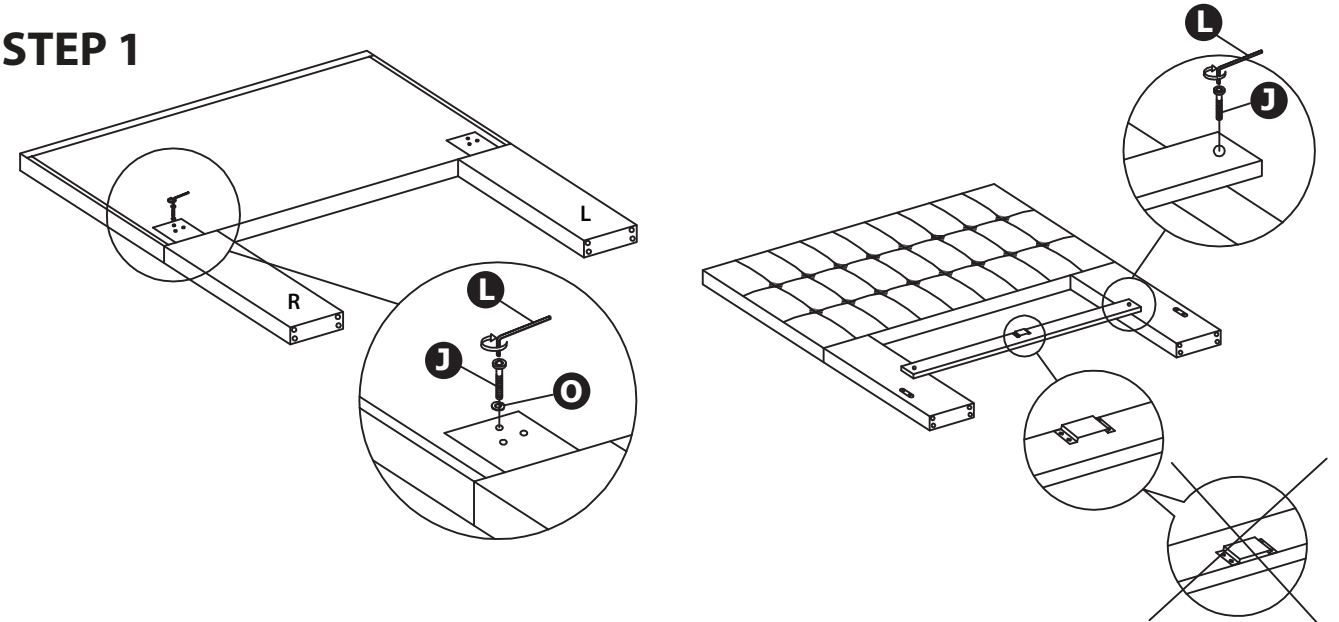


O. Spring Washer (6 pc)



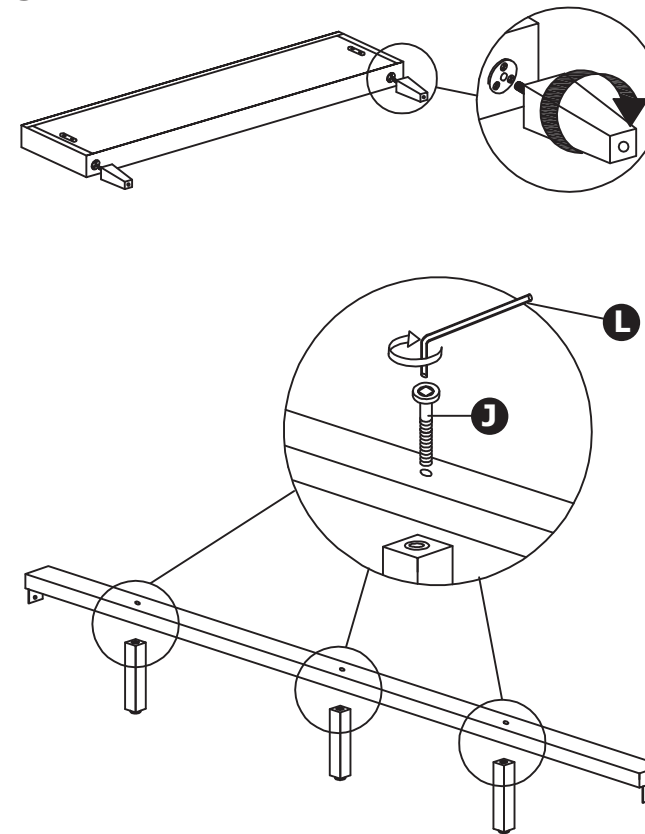
ASSEMBLY INSTRUCTIONS

STEP 1



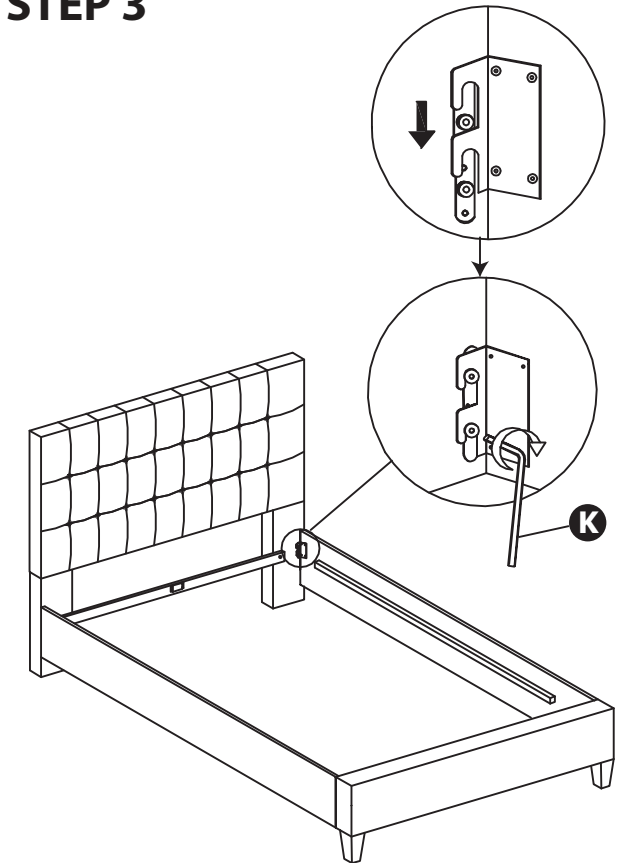
Attach the Headboard Legs (Part D) to the Headboard (Part A) using three bolts (Part J) and three spring washers (Part O) for each Headboard Leg. Then flip the Headboard over and attach the Headboard Rail (Part E) to the front of the Headboard Legs using one bolt (Part J) at each end of the Headboard Rail. Be sure to install the Headboard Rail so that the bracket is at the top of the Headboard Rail, as shown in the picture.

STEP 2



Screw the Footboard Legs (Part I) into the Footboard (Part B). Attach the Center Legs (Part H) to the Center Support (Part G) using one bolt (Part J) for each Center Leg.

STEP 3



Hang both Siderails (Part C) from the preinstalled bolts in the Headboard and Footboard then tighten the bolts.