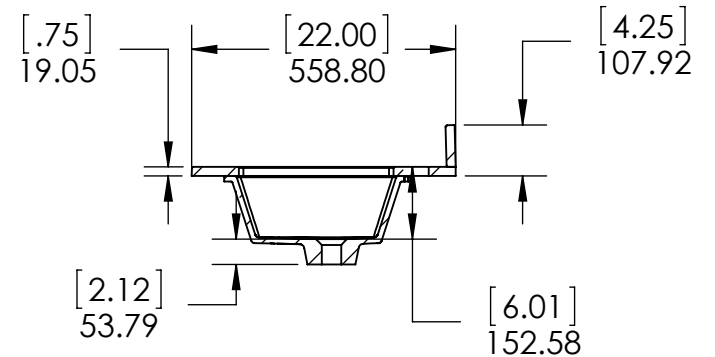
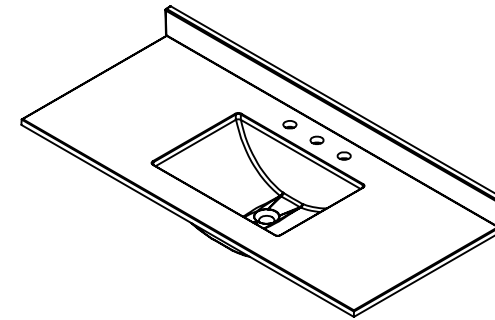
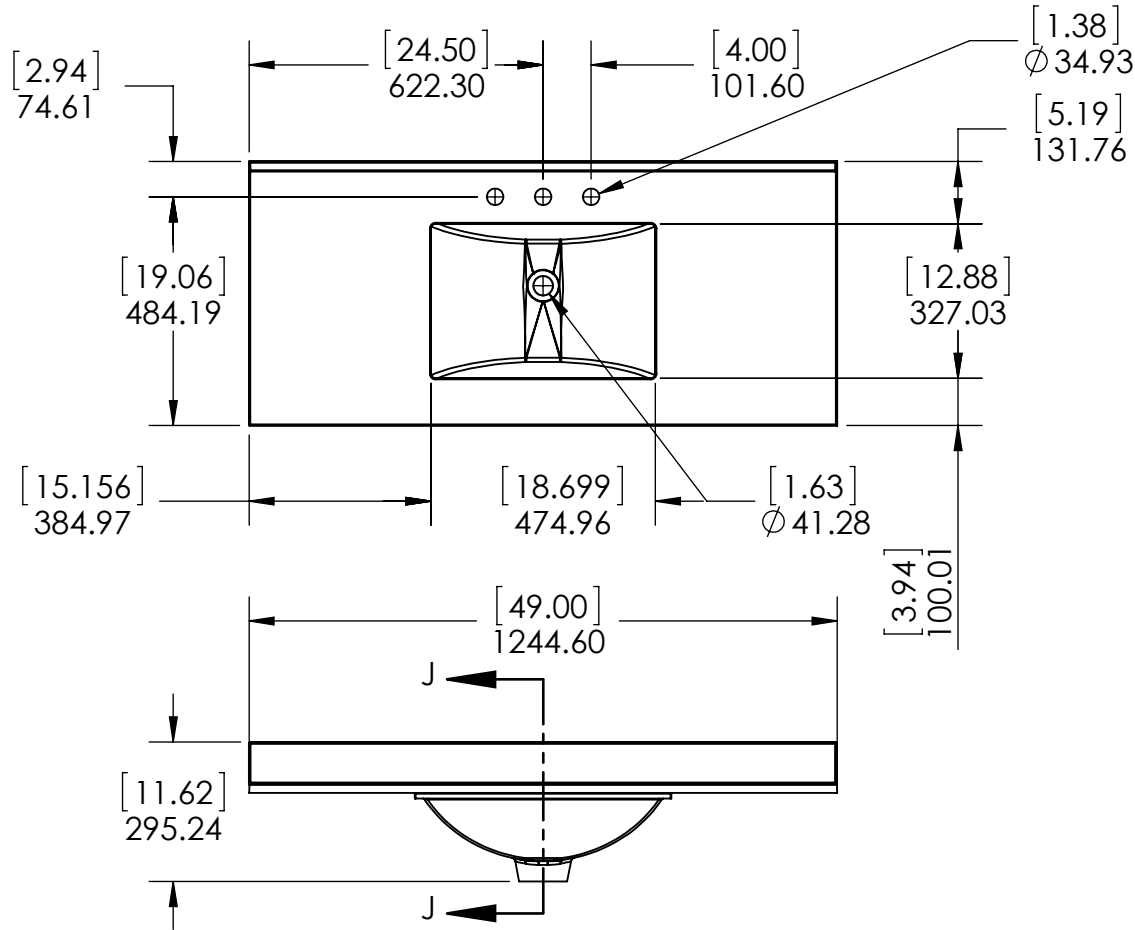


ID	Description	Technology	Status
SE4922-CA	Stone Effects 49x22in Capri VTop	Stone Effect	Approved for production
SER49-DN	Vtop SE Rect 49X22 Shark Tank Dot Com -Dune	Stone Effect	Approved for production
SERST49-WM	Vtop SE Rect 49X22 Shark Tank - Winter Mist	Stone Effect	Approved for production

Rev #	Approved by	Change
0	R. Rubio	Released



**PROPRIETARY AND CONFIDENTIAL**  
 THE INFORMATION CONTAINED IN THIS DRAWING IS THE SOLE PROPERTY OF WOODCRAFTERS. ANY REPRODUCTION IN PART OR AS A WHOLE WITHOUT THE WRITTEN PERMISSION OF WOODCRAFTERS IS PROHIBITED.

UNLESS OTHERWISE SPECIFIED  
 DIMENSIONS ARE IN MM. AND (INCHES)  
 TOLERANCES ARE  
 +0.125 [3.175] -0.125 [-3.175]  
 SCALE:1:116

	NAME	DATE
DRAWN	R. Rubio	08/22/16
CHECKED	R. Rubio	08/22/16
ENG APPR.	R. Rubio	08/22/16
MFG APPR.	C. Leal	08/22/16

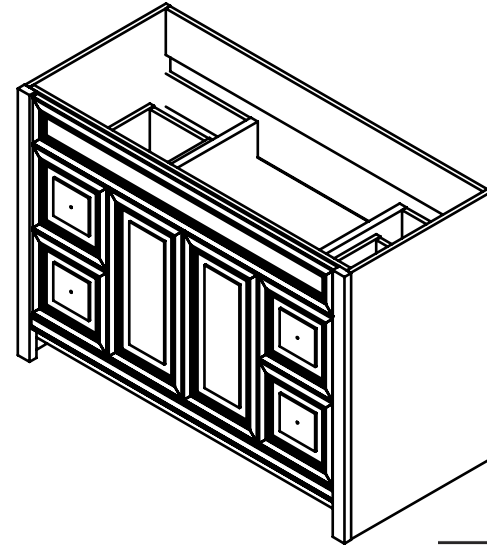
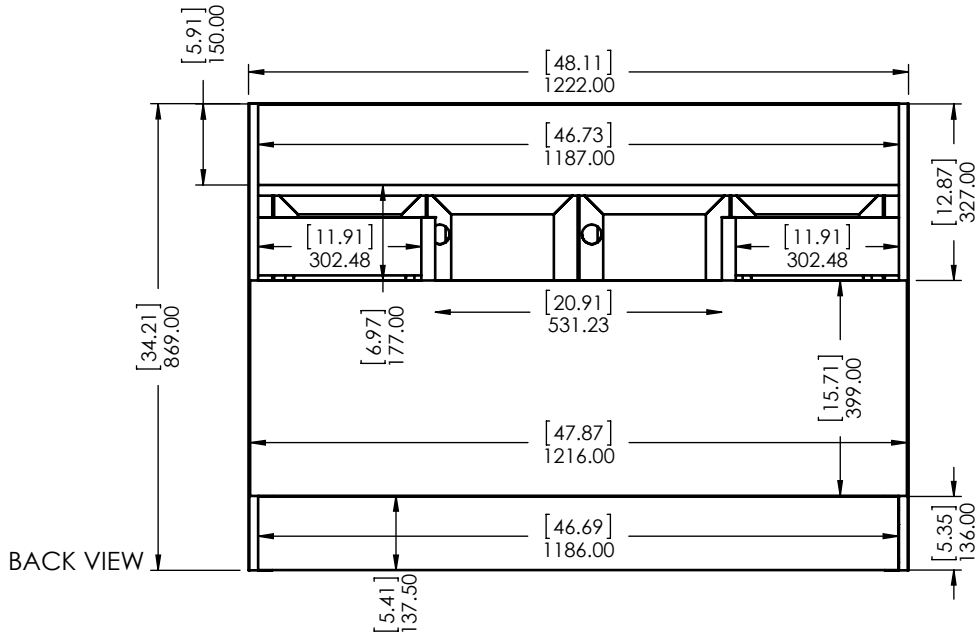
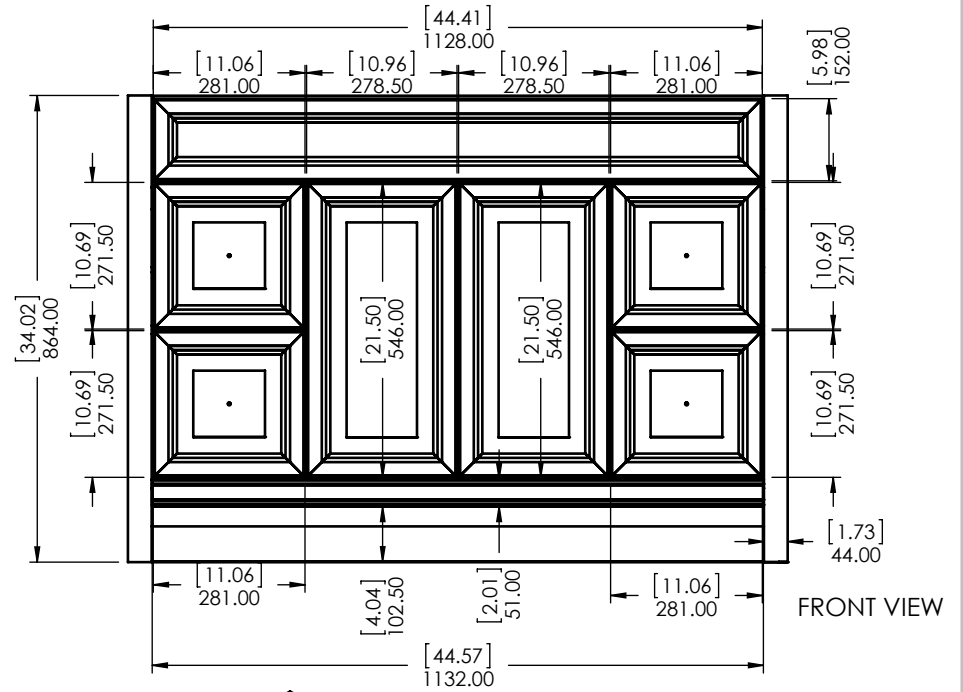
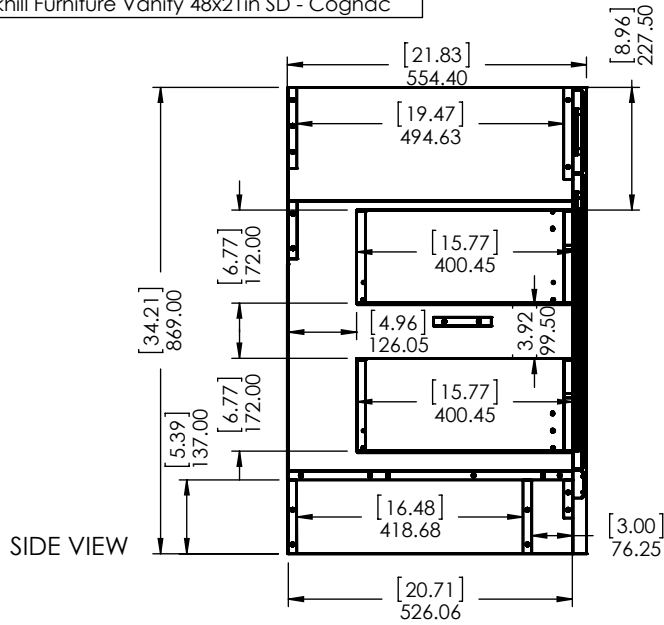
**Wood Crafters**

SIZE DWG. NO. **A** Vtop Stone Effect, Rect 49x22

SHEET 1 OF 1 REV: **0**

ITEM	ITEM ID
BWSD4821-CG	Brinkhill Furniture Vanity 48x21in SD - Cognac
BWSD4821-CR	Brinkhill Furniture Vanity 48x21in SD - Cream
BWSD4821-CH	Brinkhill Furniture Vanity 48x21in SD - Chocolate
BHSD48-FG	Brinkhill Furniture Vanity 48x21in SD - Cognac

REV	ECO#	DESCRIPTION	REV'D BY DATE	CHK'D BY DATE	APR'V'D BY DATE
0		New Release	IASV 8/8/16	IASV 8/8/16	IASV 8/8/16



**Wood Crafters**<sup>®</sup>

**PROPRIETARY AND CONFIDENTIAL**  
 THE INFORMATION CONTAINED IN THIS DRAWING IS THE SOLE PROPERTY OF WOODCRAFTERS HOME PRODUCTS L.L.C. ANY REPRODUCTION IN PART OR AS A WHOLE WITHOUT THE WRITTEN PERMISSION OF WOODCRAFTERS HOME PRODUCTS L.L.C. IS PROHIBITED.

UNLESS OTHERWISE SPECIFIED  
 DIMENSIONS ARE IN mm and [inches]  
 AND TOLERANCES ARE +/- 0.5[0.02]

DRAWN BY: IASV 8/8/2016  
 CHECKED BY: IASV 8/8/2016  
 APPROVED BY: IASV 8/8/2016

TITLE:  
**ASSEMBLY  
 BALDWIN 48in CG,CH,CR, FG**

PART NO: PAGE 1 OF 1 REV: 0

SIZE: **A**