



Item # 1001 626 347  
Model # GSS00227B

## USE AND CARE GUIDE

---

### STATESVILLE 3 PERSON STEEL PADDED SLING SWING



Questions, problems, missing parts? Before returning to the store,  
call Hampton Bay Customer Service.  
8 a.m. - 7 p.m., EST, Monday - Friday, 9 a.m. - 6 p.m., EST, Saturday

**1-855-HD-HAMPTON**

**HAMPTONBAY.COM**

---

#### THANK YOU

*We appreciate the trust and confidence you have placed in Hampton Bay through the purchase of this swing. We strive to continually create quality products designed to enhance your home. Visit us online to see our full line of products available for your home improvement needs. Thank you for choosing Hampton Bay!*

# Table of Contents


Table of Contents .....	2	Pre-Assembly .....	3
Safety Information .....	2	Planning Assembly .....	3
Product Caution .....	2	Hardware Included .....	3
Safety Warnings .....	2	Package Contents .....	4
Warranty .....	2	Assembly .....	5
What is Covered .....	2	Care and Cleaning .....	10
What is Not Covered .....	2		


# Safety Information


## PRODUCT CAUTION


This swing was made for the explicit purpose of providing outdoor functions and is not to be used as a toy. This product is intended for normal outdoor use; however, the manufacturer recommends storing and / or covering this swing when any formidable / severe weather is approaching. Do not locate the product near open flame. Do not use the product as a support. Do not shake, lean, or climb on the product. Children under the age of 10, near the product, should be supervised by a competent adult at all times. This product is NOT intended for commercial use and will void the warranty.


## SAFETY WARNINGS


 **WARNING:** Weight limit for the swing chair is 250 lbs (113.39 kg) for each seat.

 **CAUTION:** Do not locate the product near any heat source.

 **WARNING:** Please keep children out of the assembly area before assembly.

 **CAUTION:** Never use this product as a support, do not shake, lean or climb on the swing at any time.

 **WARNING:** This swing unit is heavy, and may require two adults for safe assembly.

 **WARNING:** Do not shake from side to side when using the product.

# Warranty

## 1 YEAR FRAME AND 1 YEAR FABRIC LIMITED WARRANTY

### WHAT IS COVERED

We warrant the frame and fabric to be free of manufacturing defects to the original purchaser for one year.

### WHAT IS NOT COVERED

It remains the customer's responsibility for freight and packaging charges to and from our service center. This warranty does not cover commercial use, hardware, acts of nature, fire, freezing and abusive use. In addition, purchased parts are not covered under this warranty. We reserve the right to make substitutions with similar merchandise, if the model in question is no longer in production.

Contact the Customer Service Team at 1-855-HD-HAMPTON or visit [www.HamptonBay.com](http://www.HamptonBay.com).

# Pre-Assembly

## PLANNING ASSEMBLY

Read all instructions before assembly.

To avoid damaging this product, assemble it on a soft, non-abrasive surface such as carpet or cardboard.

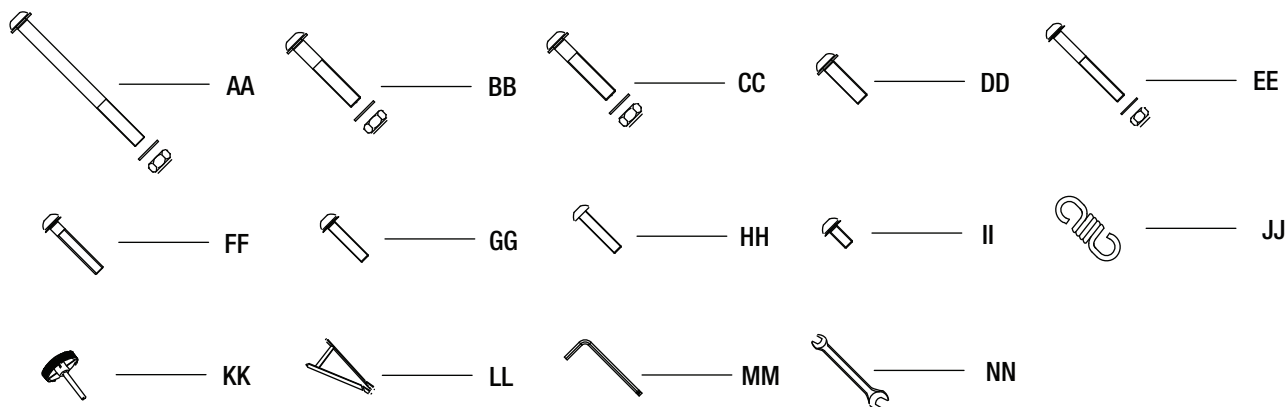


**NOTE:** More than one person may be required to assemble this product.

## HARDWARE INCLUDED



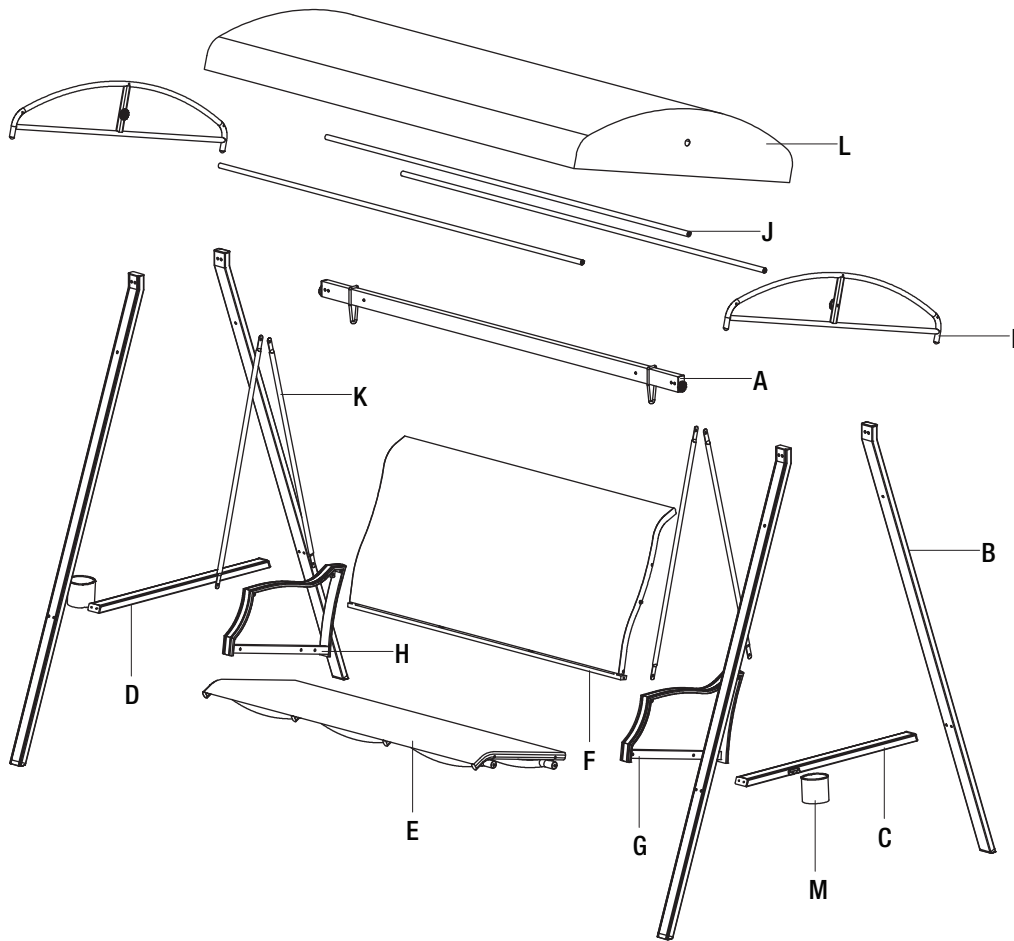
**NOTE:** Hardware not shown to actual size.



Part	Description	Quantity
AA	M8x100 combination bolt, washer and nut	4+1
BB	M8x50 combination bolt, washer and nut	2+1
CC	M8x45 combination bolt, washer and nut	4+1
DD	M8x30 combination bolt	4+1
EE	M6x55 combination bolt, washer and nut	4+1
FF	M6x40 combination bolt	8+1
GG	M6x30 combination bolt	2+1
HH	M6x30 bolt	6+1
II	M6x15 combination bolt	2+1
JJ	Hook	2
KK	Knob	2
LL	Support bar	2
MM	Hex wrench	1
NN	Wrench	1

# Pre-Assembly (continued)

## PACKAGE CONTENTS

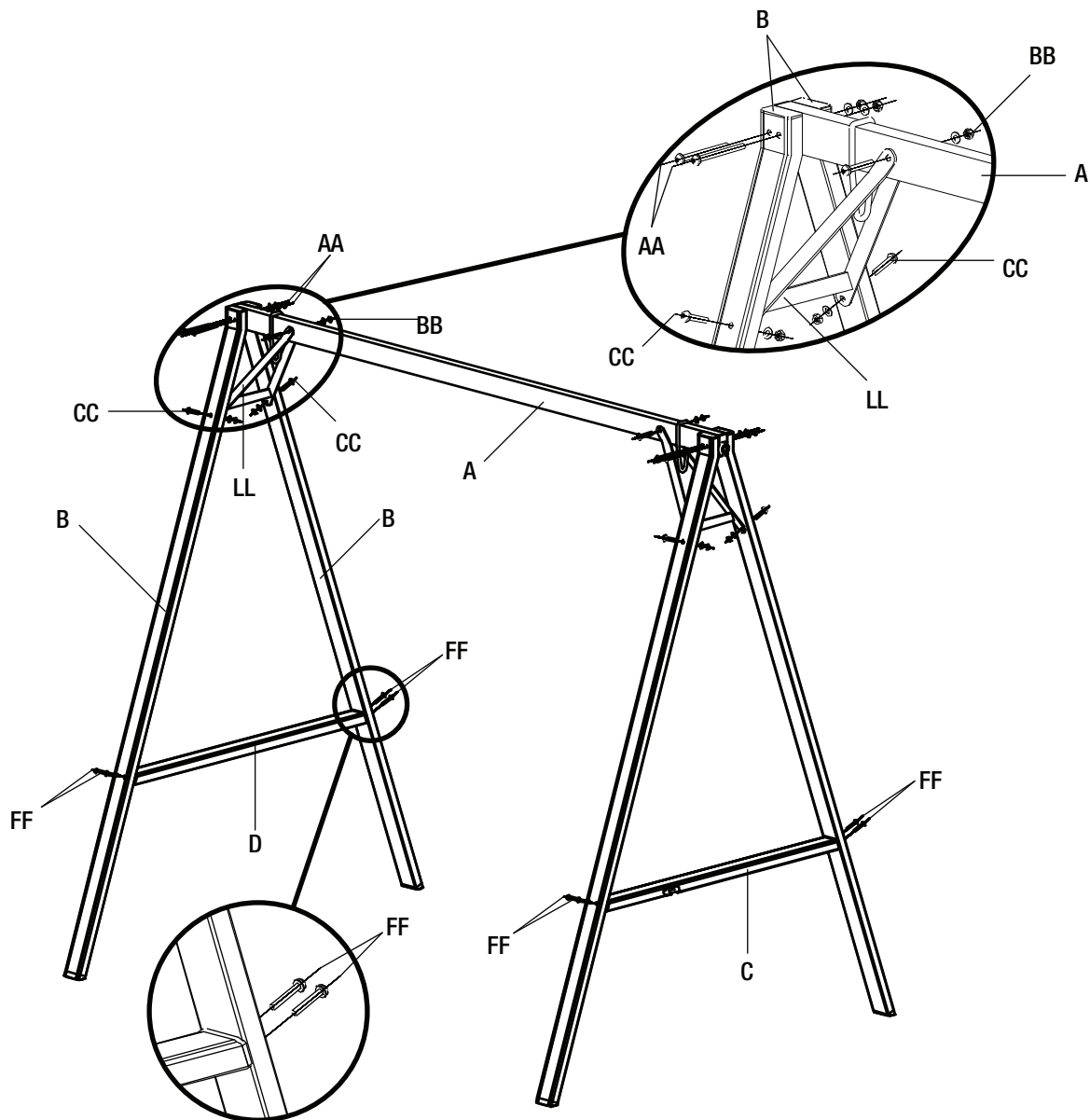


Part	Description	Quantity
A	Top bar	1
B	Leg	4
C	Left side bar	1
D	Right side bar	1
E	Seat	1
F	Back	1
G	Left arm	1
H	Right arm	1
I	Curved bar	2
J	Support bar	3
K	Swing pipe	4
L	Canopy	1
M	Cup holder	2

# Assembly

## 1 ASSEMBLING THE SWING FRAME

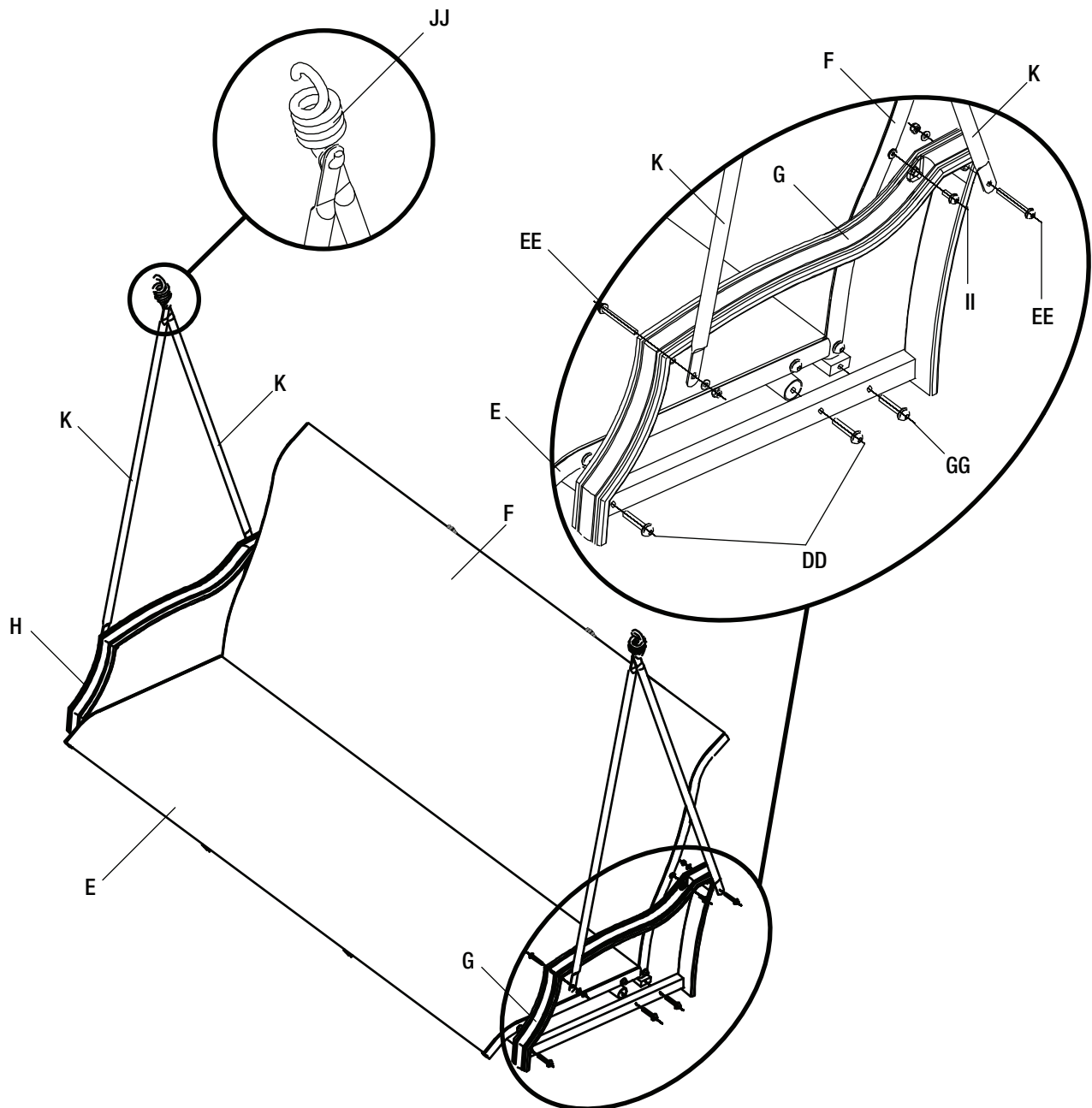
- Attach two sets of the legs (B) to the top bar (A) using M8x100 combination bolts, washers, and nuts (AA).
- Attach the support bars (LL) to the top bar (A) and the legs (B) using M8x50 combination bolts, washers, and nuts (BB) and M8x45 combination bolts and nuts (CC).
- Attach the left side bar (C) and the right side bar (D) to the legs (B) using M6x40 combination bolts (FF).
- Once all of the bolts are in place, fully tighten the bolts.



## Assembly (continued)

### 2 ATTACHING THE ARMS AND THE SWING PIPES TO THE SEAT AND THE BACK

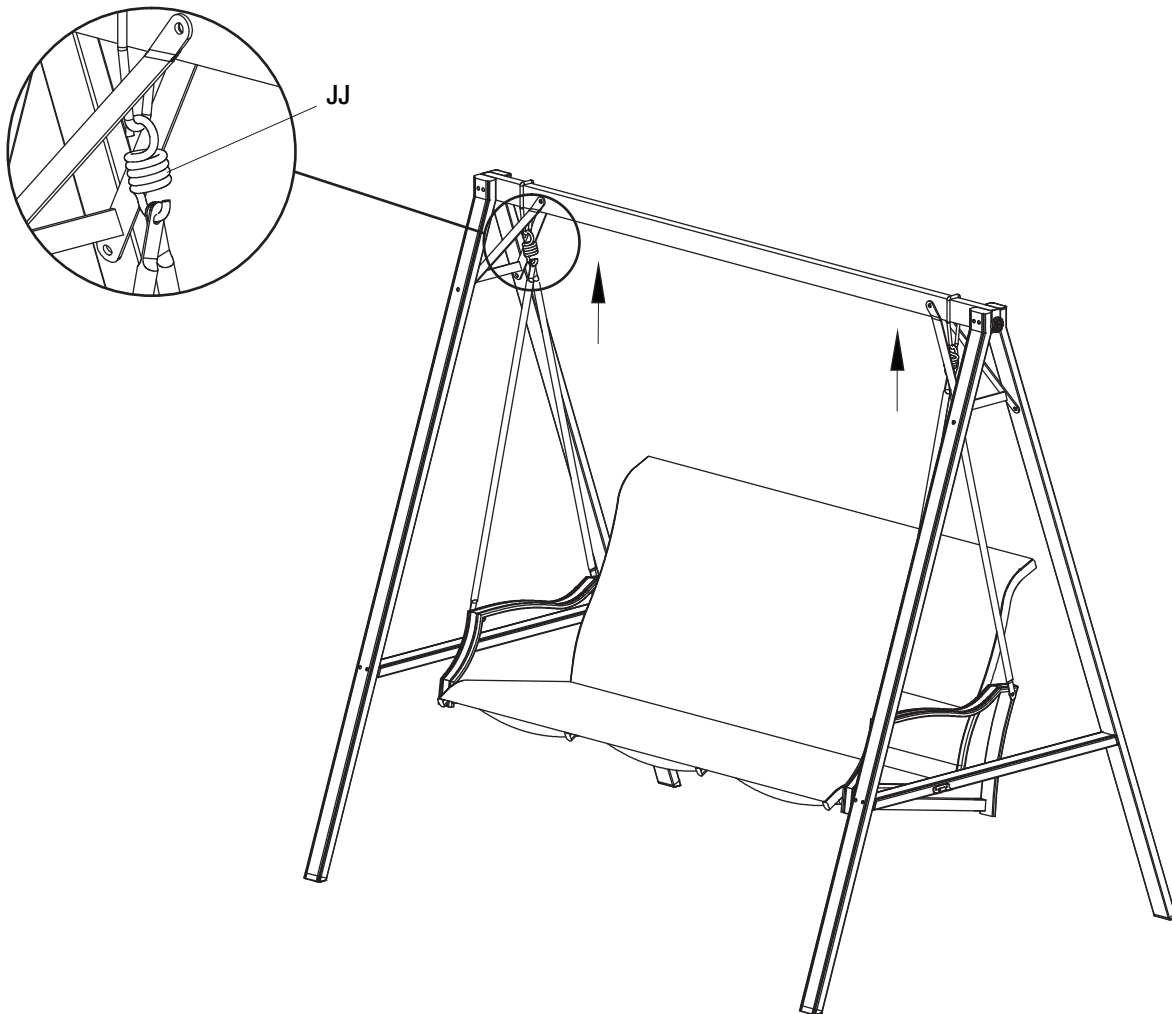
- Attach the arms (G & H) to the seat (E) using M8x30 combination bolts (DD).
- Attach the arms (G & H) to the back (F) using M6x30 combination bolts (GG) and M6x15 combination bolts (II).
- Attach the swing pipes (K) to the arms (G & H) using M6x55 combination bolts, washers and nuts (EE).
- Connect the top of the two swing pipes (K) together by using the hooks (JJ).
- Once all of the bolts are in place, fully tighten the bolts.



## Assembly (continued)

### 3 ATTACHING THE SEAT TO THE SWING FRAME

- Attach the assembled seat to the swing frame using the hooks (JJ).



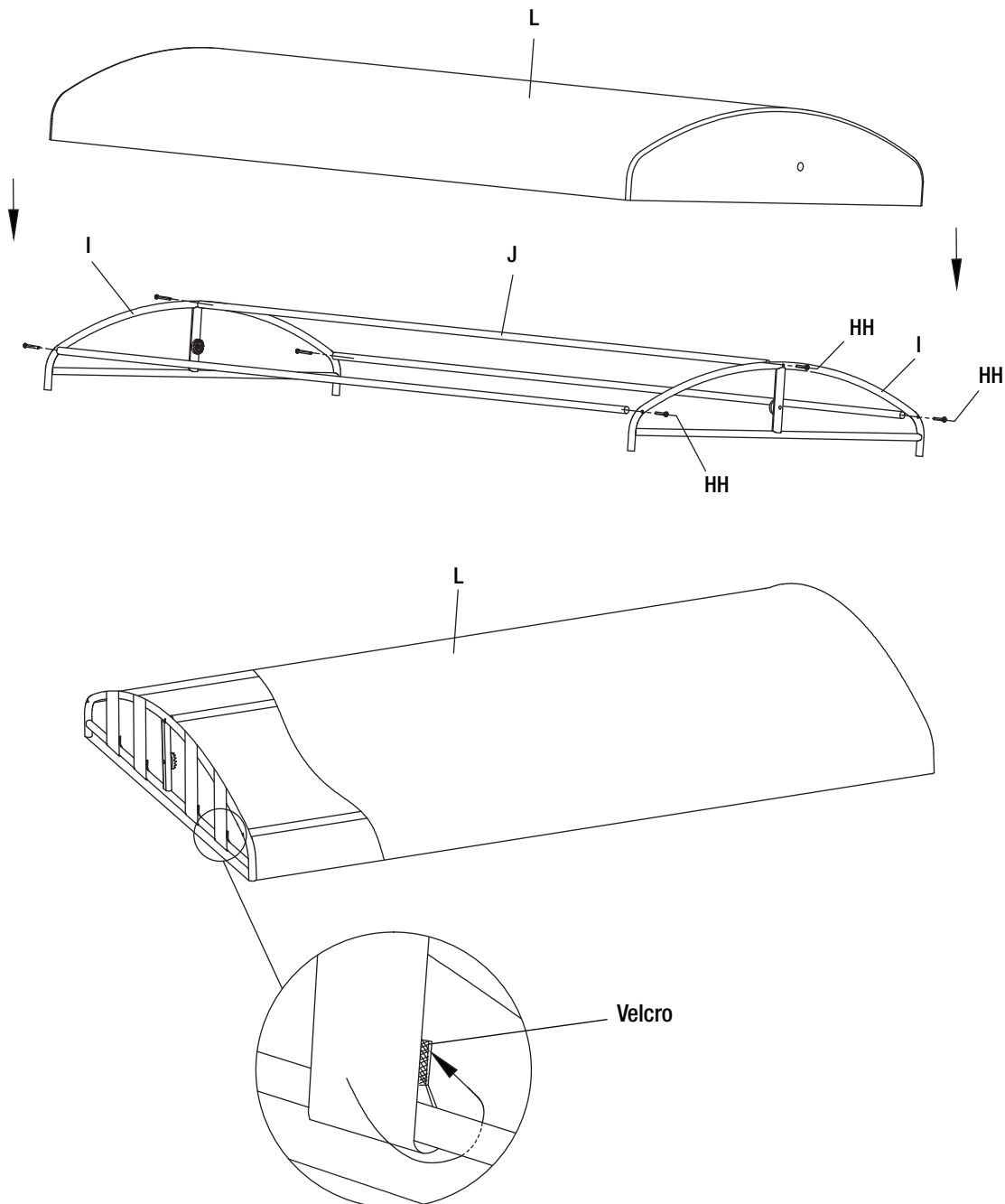
# Assembly (continued)

## 4 ASSEMBLING THE TOP FRAME

- Attach the support bars (J) to the two curved bars (I) using M6x30 bolts (HH).
- Fully tighten all of the bolts on the top frame using the hex wrench (MM) before placing the canopy (L).
- Place the canopy (L) on the assembled top frame and tie the canopy (L) to the curved bars (I) by affixing the Velcro.



**NOTE:** Pay attention on the direction of the curved bars (I).

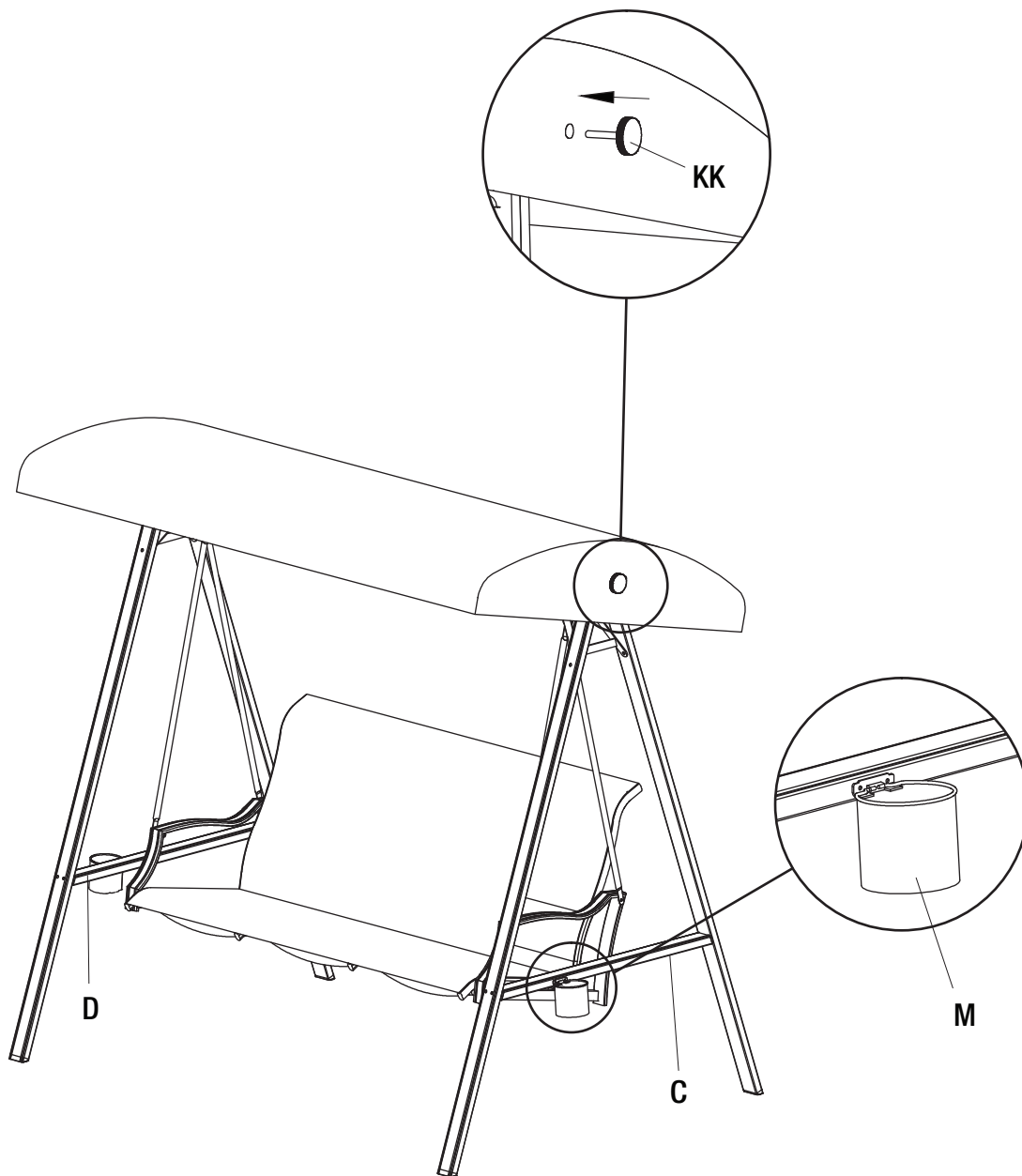




## Assembly (continued)

### 5 ATTACHING THE TOP FRAME TO THE TOP BAR

- Attach the assembled top frame to the top bar (A) using the knobs (KK) on both sides.
- Adjust the angle of the top frame and fully tighten the knobs (KK) in the clockwise direction.
- Place the cup holders (M) to the side bars (C & D) on both sides.



## Assembly (continued)

### 6 TIGHTENING THE BOLTS

- Make sure that the swing is tightly assembled and stable before use.



## Care and Cleaning

- For best results, clean the frame and fabric with a damp cloth and dry thoroughly. This will help prevent mildew by removing dirt particles that may accumulate.
- Do not clean with abrasive materials, bleach, or solvents.
- Store the swing in a dry, sheltered place when not in use.
- Keep the swing away from fire, extreme heat, freezing conditions, and inclement weather such as rain, hail, sleet, snow, or wind.



Questions, problems, missing parts? Before returning to the store,  
call Hampton Bay Customer Service.  
8 a.m. - 7 p.m., EST, Monday - Friday, 9 a.m. - 6 p.m., EST, Saturday

**1-855-HD-HAMPTON**

**HAMPTONBAY.COM**

Retain this manual for future use.