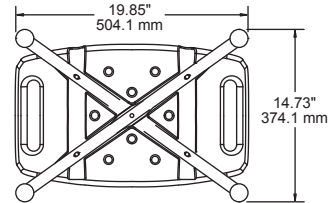
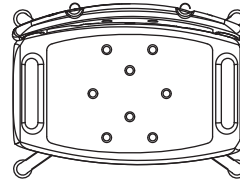
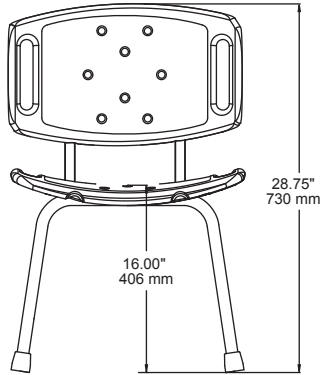


Tub & Shower Safety

TUB & SHOWER CHAIR



MATERIALS:

Blow molded polyethylene seat with integral hand grips. Round section legs are constructed of tempered 6063 grade aluminum extrusion. Back is blow molded polyethylene with extruded aluminum round section support bars. Non-slip thermo plastic rubber feet.

SPECIFICATION:

Tub & shower chair shall be model _____
(fill in model number) by Liberty Hardware® Manufacturing Corporation.