

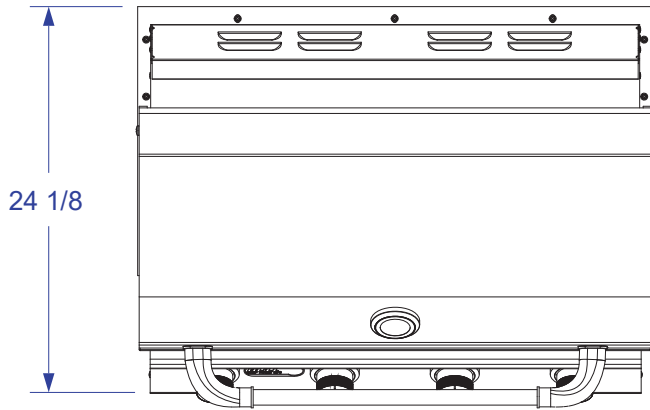
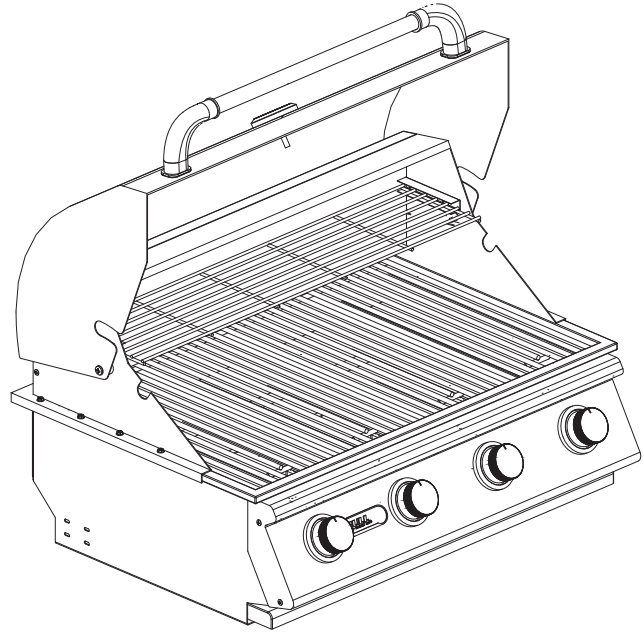


STALLION GRILL

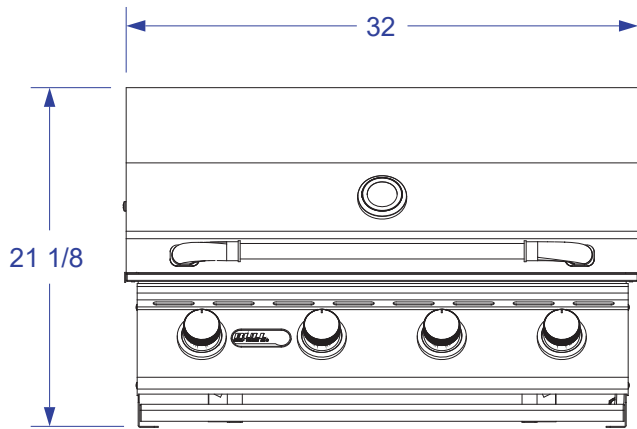
SPEC SHEET

ITEM#48050 LP

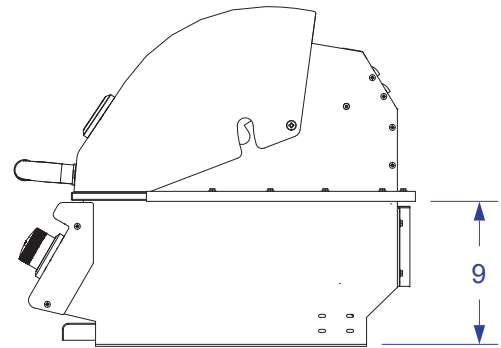
ITEM# 48051 NG



TOP



FRONT



RIGHT

NOTES:

1. ISLAND MUST BE CONSTRUCTED OF NON-COMBUSTIBLE MATERIAL.

2. SCALE: 1" = 1'-0"