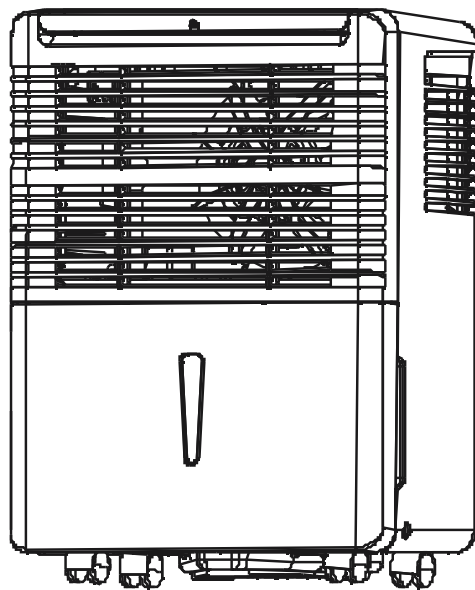


DEHUMIDIFIER

Keystone™

OWNER'S MANUAL



Model: KSTAD70B

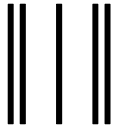
Before operating this product, please read the instructions carefully and save this manual for future use.

MIDEA AMERICA CORPORATION
 PRODUCT REGISTRATION CENTER
 11800 NW 100 ROAD STE 4
 MEDLEY FL 33178-1037



PLACE
 STAMP
 HERE

Postage
 Required.
 Post Office will
 not deliver
 without proper
 postage.





Product Warranty Card
Tarjeta de Garantia de Producto

Air conditioner warranty

Your product is protected by this warranty:
 Your appliance is warranted by Midea. Any obligations for services and parts under this warranty must be performed by Midea Consumer Services or an authorized Midea servicer
 To contact a Customer Service Representative, Call Midea TOLL FREE

1-866-646-4332®

Garantia

Su producto está protegido por esta garantía:
 Su producto está garantizado por Midea. Cualquier obligación de proporcionar servicio o repuestos establecida en esta garantía deberá ser cumplida por los Servicios al consumidor de Midea o por un representante autorizado de Midea.
 Para comunicarse con un Representante de Servicio al Cliente, tenga la bondad de llamar por teléfono sin cargo alguno a Midea, al número:

1-866-646-4332®

SOCIABLE REMARK

When using this dehumidifier in the European countries, the following information must be followed:

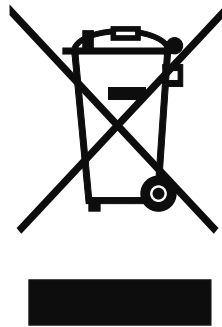
DISPOSAL: Do not dispose this product as unsorted municipal waste. Collection of such waste separately for special treatment is necessary.

It is prohibited to dispose of this appliance in domestic household waste.

For disposal, there are several possibilities:

- A) The municipality has established collection systems, where electronic waste can be disposed of at least free of charge to the user.
- B) When buying a new product, the retailer will take back the old product at least free of charge.
- C) The manufacture will take back the old appliance for disposal at least free of charge to the user.
- D) As old products contain valuable resources, they can be sold to scrap metal dealers.

Wild disposal of waste in forests and landscapes endangers your health when hazardous substances leak into the ground-water and find their way into the food chain.



CONTENTS

SAFETY PRECAUTIONS

Warning	2
Caution	2
Electrical information	3

CONTROL PADS ON THE DEHUMIDIFIER

Control pads.....	4
Other features.....	5

IDENTIFICATION OF PARTS

Identification of parts	6
Positioning the unit	7

OPERATING THE UNIT

When using the unit	7
Removing the collected water	8

CARE AND MAINTENANCE

Care and cleaning of the dehumidifier	9
---	---



TROUBLESHOOTING TIPS

Troubleshooting tips	10
----------------------------	----



SAFETY PRECAUTIONS

To prevent injury to the user or other people and property damage, the following instructions must be followed. Incorrect operation due to ignoring of instructions may cause harm or damage.

- The seriousness is classified by the following indications.

 WARNING	This symbol indicates the possibility of death or serious injury.
 CAUTION	This symbol indicates the possibility of injury or damage to property.

- Meanings of symbols used in this manual are as shown below.

	Never do this.
	Always do this.

WARNING

⊘ Do not exceed the rating of the power outlet or connection device.

- Otherwise, it may cause electric shock or fire due to excess heat generation.

⊘ Do not operate or stop the unit by switching on or off the power.

- It may cause electric shock or fire due to heat generation.

⊘ Do not damage or use an unspecified power cord.

- It may cause electric shock or fire.

⊘ Do not modify power cord length or share the outlet with other appliances

- It may cause electric shock or fire due to heat generation.

⊘ Do not insert or pull out plug with wet hands.

- It may cause electric shock.

⊘ Do not place the unit near a heat source.

- Plastic parts may melt and cause a fire.

⊘ Disconnect the power if strange sounds, smell, or smoke comes from it.

- It may cause fire and electric shock.

⊘ You should never try to take apart or repair the unit by yourself.

- It may cause failure of machine or electric shock.

⊘ Before cleaning, turn off the power and unplug the unit.

- It may cause electrical shock or injury.

⊘ Do not use the machine near flammable gas or combustibles, such as gasoline, benzene, thinner, etc.

- It may cause an explosion or fire.

⊘ Do not drink or use the water drained from the unit.

- It contains contaminants and could make you sick.

⊘ Do not take the water bucket out during operation.

- It may cause bucket full protect of the unit and cause electric shock.

CAUTION

⊘ Do not use the unit in small spaces.

- Lack of ventilation can cause overheating and fire.

⊘ Do not put in places where water may splash onto the unit.

- Water may enter the unit and degrade the insulation. It may cause an electric shock or fire.

⊘ Place the unit on a level, sturdy section of the floor.

- If the unit falls over, it may cause water to spill and damage belongings, or cause electrical shock or fire.

SAFETY PRECAUTIONS

⚠ CAUTION

⊘ Do not cover the intake or exhaust openings with cloths or towels.

- A lack of air flow can lead to overheating and fire.

⊘ Never insert your finger or other foreign objects into grills or openings. Take special care to warn children of these dangers.

- It may cause electric shock or failure of appliance.

⊘ Always insert the filters securely. Clean filter once every two weeks.

- Operation without filters may cause failure.

⊘ Care should be taken when using the unit in a room with the following persons:

- Infants, children, elderly people, and people not sensitive to humidity.

⊘ Do not place heavy object on the power cord and take care so that the cord is not compressed.

- There is danger of fire or electric shock.

⊘ If water enters the unit, turn the unit off and disconnect the power, contact a qualified service technician.

- It may cause failure of appliance or accident.

⊘ Do not use in areas where chemicals are handled.

- This will cause the unit deterioration due to chemicals and solvents dissolved in the air.

⊘ Do not climb up on or sit on the unit.

- You may be injured if you fall or if the unit falls over.

⊘ Do not place flower vases or other water container on top of the unit.

- Water may spill inside the unit, causing insulation failure and electrical shock or fire.

Electrical Information

- The manufacturer's nameplate is located on the rear panel of the unit and contains electrical and other technical data specific to this unit.
- Be sure the unit is properly grounded. To minimize shock and fire hazards, proper grounding is important. The power cord is equipped with a three-prong grounding plug for protection against shock hazards.
- Your unit must be used in a properly grounded wall receptacle. If the wall receptacle you intend to use is not adequately grounded or protected by a time delay fuse or circuit breaker, have a qualified electrician install the proper receptacle.
- Ensure the receptacle is accessible after the unit installation.
- **Do not use extension cords or an adapter plug with this unit.** However, if it is necessary to use an extension cord, use an approved "Dehumidifier" extension cord only (available at most local hardware stores).
- To avoid the possibility of personal injury, always disconnect the power supply to the unit, before installing and/or servicing.

CONTROL PADS ON THE DEHUMIDIFIER

NOTE: The control panel of the unit you purchased may be slightly different according to the models.

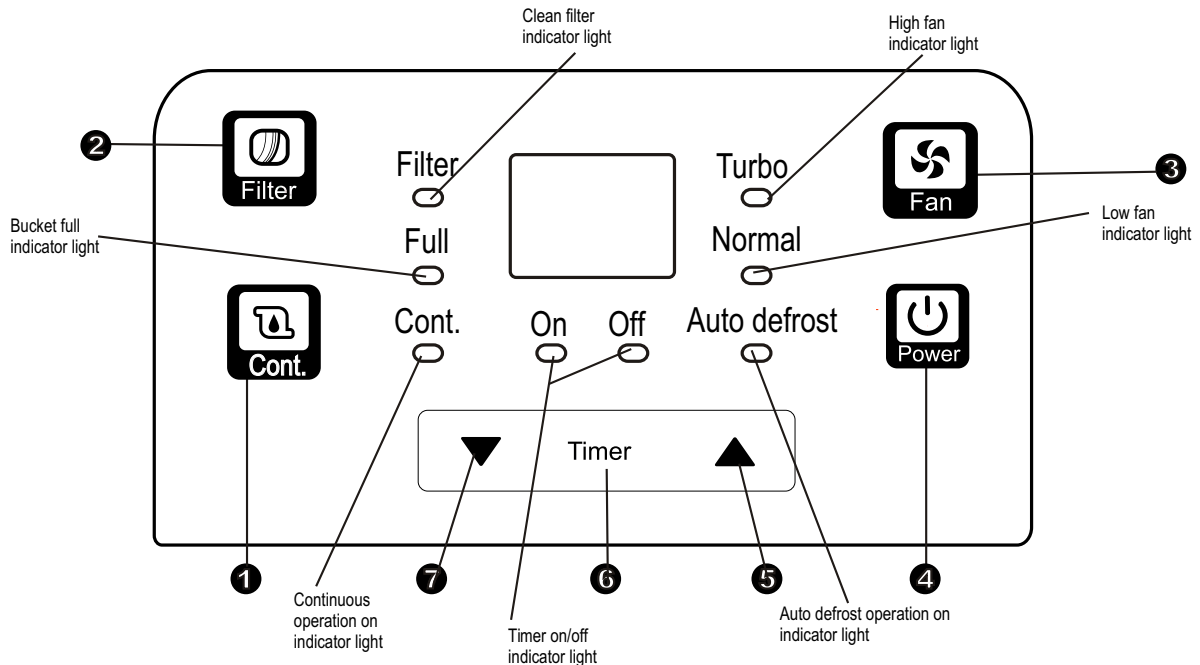


Fig. 1

Control pads

When you push the button to change operation modes, the unit will make a beep sound to indicate that it is changing modes.

❶ Continue Pad

Press to activate the continuous dehumidifying operation.

❷ Filter Pad

The check filter feature is a reminder to clean the Air Filter for more efficient operation. The Filter light (Clean filter light) will illuminate after 250 hours of operation. To reset after cleaning the filter, press the Filter pad and the light will go off.

❸ Fan Pad

Control the fan speed. Press to select either High or Normal fan speed. Set the fan control to High for maximum moisture removal. When the humidity has been reduced and quiet operation is preferred, set the fan control to Normal.

❹ Power Pad

Press to turn the dehumidifier on and off.

❺/❻ ▲ / ▼ : Up/Down Pads

• Humidity Set Control Pads

The humidity level can be set within a range of 35%RH (Relative Humidity) to 85%RH (Relative Humidity) in 5% increments.

For drier air, press the ▼ pad and set to a lower percent value (%).

For damper air, press the ▲ pad and set a higher percent value (%).

• TIMER Set Control Pads

Use the Up/Down pads to set the Auto start and Auto stop time from 0.0 to 24.

❻ Timer Pad

Press to initiate the Auto start and Auto stop feature, in conjunction with the ▲ and ▼ key pads.

CONTROL PADS ON THE DEHUMIDIFIER

10 Display

Shows the set % humidity level from 35% to 85% or auto start/stop time (0~24) while setting, then shows the actual (± 5% accuracy) room % humidity level in a range of 30% RH(Relative Humidity) to 90%RH(Relative Humidity).

Error Codes and Protection Code:

AS- Humidity sensor error--Unplug the unit and plug it back in. If error repeats, call for service.

ES- Temperature sensor error-- Unplug the unit and plug it back in. If error repeats, call for service.

P2- Bucket is full or bucket is not in right position-- Empty the bucket and replace it in the right position.

E1- Unit malfunction-- Unplug the unit and plug it back in. If error repeats, call for service.

EC- Unit malfunction--Please make sure whether the environment temperature is suitable for the stated temperature in the manual or not.If not,please operate the unit under the stated temperature.If the environment temperature is suitable for the stated temperature,please call for service.

Other features

Bucket Full Light

Glows when the bucket is ready to be emptied, or when the bucket is removed or not replaced in the proper position.

Auto Shut Off

The dehumidifier shuts off after 30 seconds when the bucket is full, or when the bucket is removed or not replaced in the proper position. When the setting humidity is reached, the unit will be shut off automatically. For some models, the fan motor will continue operating.

Auto Defrost

When frost builds up on the evaporator coils, the compressor will cycle off and the fan will continue to run until the frost disappears.

Wait 3 minutes before resuming operation

After the unit has stopped, it can not be restart operation in the first 3 minutes. This is to protect the unit. Operation will automatically start after 3 minutes.

Check filter feature

The system starts to count the time once the fan motor operates. The check filter feature can be only activated when the accumulated operation time achieves 250 hours or more. The Reset light(Clean filter indicator light) flashes at one time per second, after finishing clean the air filter, press the Filter pad and the Reset light(Clean filter indicator light) goes off.

Auto-Restart

If the unit breaks off unexpectedly due to the power cut, it will restart with the previous function setting automatically when the power resumes.

Setting the Timer

- When the unit is on, first press the Timer button, the Timer Off indicator light illuminates. It indicates the Auto Stop program is initiated. Press it again the Time On indicator light illuminates. It indicates the Auto Start is initiated.
- When the unit is off, first press the Timer button, the TIMER ON indicator light illuminates. It indicates the Auto Start program is initiated. Press it again the Time Off indicator light illuminates. It indicates the Auto Stop is initiated.
- Press or hold the UP or DOWN pad to change the Auto time by 0.5 hour increments, up to 10 hours, then at 1 hour increments up to 24 hours. The control will count down the time remaining until start.
- The selected time will register in 5 seconds and the system will automatically revert back to display the previous humidity setting.
- When the Auto start & Auto stop times are set, within the same program sequence, TIMER ON OFF indicator lights illuminate identifying both ON and OFF times are now programmed.
- Turning the unit ON or OFF at any time or adjusting the timer setting to 0.0 will cancel the Auto Start/Stop function.
- When LED display window displays the code of P2, the Auto Start/Stop function will also be cancelled.

IDENTIFICATION OF PARTS

Identification of parts

Front

- ❶ Control panel
- ❷ Air intake grille
- ❸ Air outlet grille
- ❹ Air filter (behind the grille)
- ❺ Water bucket
- ❻ Handle (both sides)

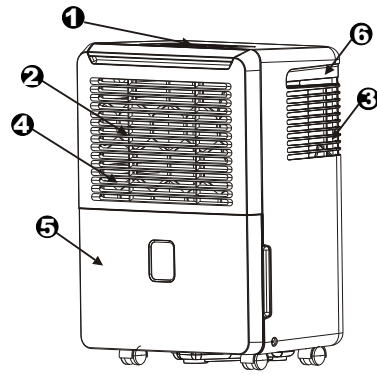


Fig.2

Rear

- ❶ Drain hose outlet
- ❷ Caster
- ❸ Power Cord and plug
- ❹ Band(Used only when storing the unit.)

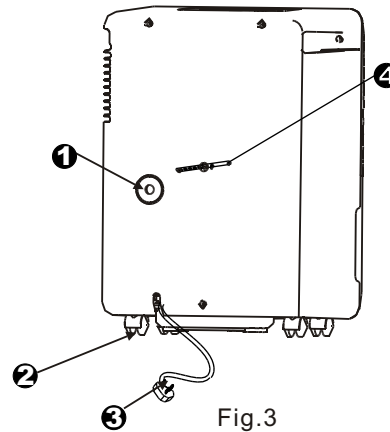
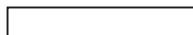


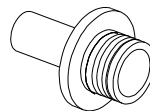
Fig.3

NOTE: All the pictures in the manual are for explanation purposes only. The actual shape of the unit you purchased may be slightly different, but the operations and functions are the same.

Accessories: Drain hose(1pc)



adaptor A(1pc)



screw(2pc)



OPERATING THE UNIT

Positioning the unit

A dehumidifier operating in a basement will have little or no effect in drying an adjacent enclosed storage area, such as a closet, unless there is adequate circulation of air in and out of the area.

- Do not use outdoors.
- This dehumidifier is intended for indoor residential applications only. This dehumidifier should not be used for commercial or industrial applications.
- Place the dehumidifier on a smooth, level floor strong enough to support the unit with a full bucket of water.
- Allow at least 20cm of air space on all sides of the unit for good air circulation.
- Place the unit in an area where the temperature will not fall below 5°C(41°F). The coils can become covered with frost at temperatures below 5°C(41°F), which may reduce performance.
- Place the unit away from the clothes dryer, heater or radiator.
- Use the unit to prevent moisture damage anywhere books or valuables are stored.
- Use the dehumidifier in a basement to help prevent moisture damage.
- The dehumidifier must be operated in an enclosed area to be most effective.
- Close all doors, windows and other outside openings to the room.

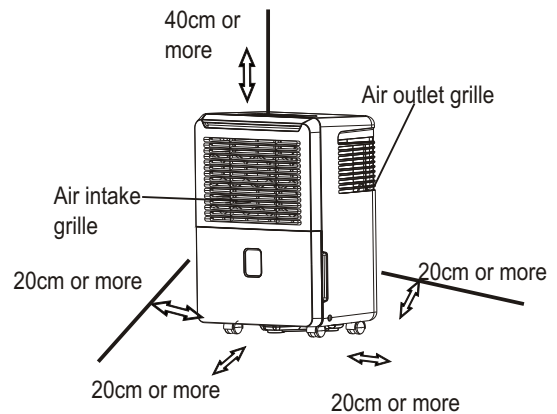


Fig. 4a

Casters (At four points on the bottom of unit)

- Casters can move freely.
- Do not force casters to move over carpet, nor move the unit with water in the bucket. (The unit may tip over and spill water.)

When using the unit

- When first using the dehumidifier, operate the unit continuously 24 hours.
- This unit is designed to operate with a working environment between 5°C/41 °F and 35°C/95 °F.
- If the unit has been switched off and needs to be switched on again quickly, allow approximately three minutes for the correct operation to resume.
- Do not connect the dehumidifier to a multiple socket outlet, which is also being used for other electrical appliances.
- Select a suitable location, making sure you have easy access to an electrical outlet.
- Plug the unit into a electrical socket-outlet with earth connection.
- Make sure the Water bucket is correctly fitted otherwise the unit will not operate properly.

NOTE: When the water in the bucket reaches to a certain level, please be careful to move the machine to avoid it falling down.

OPERATING THE UNIT

Removing the collected water

There are two ways to remove collected water.

1. Use the bucket

- When the unit is off, if the bucket is full, the unit will beep 8 times and the Full indicator light will flash, the digital display shows P2.
- When the unit is on, if the bucket is full, the compressor turns off and the fan turns off after 30 seconds for drying the water of the condenser, then the unit will beep 8 times and the Full indicator light will flash, the digital display shows P2.
- Slowly pull out the bucket. Grip the left and right handles securely, and carefully pull out straight so water does not spill. Do not put the tank on the floor because the bottom of the bucket is uneven. Otherwise the bucket will fall and cause the water to spill.
- Throw away the water and replace the bucket. The bucket must be in place and securely seated for the dehumidifier to operate.
- The machine will re-start when the bucket is restored in its correct position.

NOTES:

- When you remove the bucket, do not touch any parts inside of the unit. Doing so may damage the product.
- Be sure to push the bucket gently all the way into the unit. Banging the bucket against anything or failing to push it in securely may cause the unit not to operate.
- When you remove the bucket, if there is some water in the unit you must dry it.

2. Continuous draining

Water can be automatically emptied into a floor drain by attaching the unit with a water hose (ID $\geq \phi 5/16$, not included) with a female threaded end (ID: M=1", not included).

- Install the drain hose onto the adaptor A (See Fig.7, placed in the bucket).
- Remove the plastic cover from the back drain outlet of the unit and set aside and remove bucket, then insert the drain hose through the drain outlet of the unit and securely press it into the connector on the front of the unit. (See Fig.9)
- Tighten the adaptor A and the unit by using two screws (placed in the bucket).
- Install the female threaded end of the water hose into the adaptor A. (See Fig.10), then lead the water hose to the floor drain or a suitable drainage facility.
- Make sure the hose is secure so there are no leaks.
- Direct the hose toward the drain, making sure that there are no kinks that will stop the water flowing.
- Place the end of the hose into the drain and make sure the end of the hose is level or down to let the water flow smoothly. Do never let it up..
- Place the bucket back in the unit and make sure that it is located correctly.
- Select the desired humidity setting and fan speed on the unit for continuous draining to start..

1. Pull out the bucket a little.

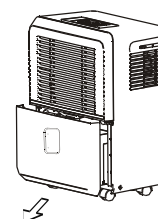


Fig.5

2. Hold both sides of the bucket with even strength, and pull it out from the unit.

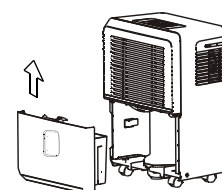


Fig.6

3. Pour the water out.

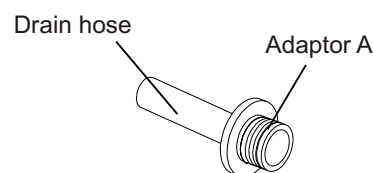


Fig.7

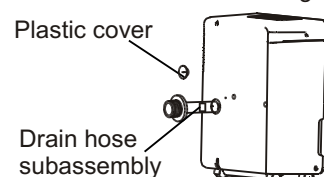


Fig.8

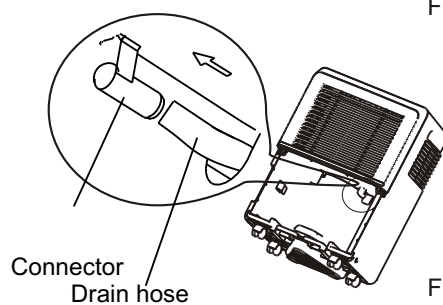


Fig.9

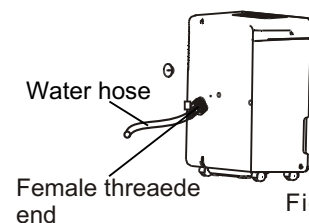


Fig.10

NOTE: When the continuous drain feature is not being used, remove the drain hose from the outlet.

Care and cleaning of the dehumidifier

Turn the dehumidifier off and remove the plug from the wall outlet before cleaning.

1. Clean the Grille and Case

- Use water and a mild detergent. Do not use bleach or abrasives.
- Do not splash water directly onto the main unit. Doing so may cause an electrical shock, cause the insulation to deteriorate, or cause the unit to rust.
- The air intake and outlet grilles get soiled easily, so use a vacuum attachment or brush to clean.

2. Clean the bucket

Every few weeks, clean the bucket to prevent growth of mold, mildew and bacteria. Partially fill the bucket with clean water and add a little mild detergent. Swish it around in the bucket, empty and rinse.

NOTE: Do not use a dishwasher to clean the bucket. After clean, the bucket must be in place and securely seated for the dehumidifier to operate.

3. Clean the air filter

- Remove the filter every two weeks based on normal operating conditions.
- Remove the filter from the top of the unit (See.Fig.11a), or to remove the filter,remove Bucket then pull filter downwards (See.Fig.11b).
- Wash the filter with clean water then dry.
- Re-install the filter,replace Bucket.

CAUTION:

DO NOT operate the dehumidifier without a filter because dirt and lint will clog it and reduce performance.

4. When not using the unit for long time periods

- After turning off the unit, wait one day before emptying the bucket.
- Clean the main unit, water bucket and air filter.
- Wrap the cord and bundle it with the band(Fig.12) .
- Cover the unit with a plastic bag.
- Store the unit upright in a dry, well-ventilated place.

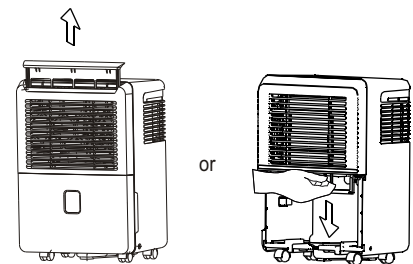


Fig. 11a

Fig. 11b

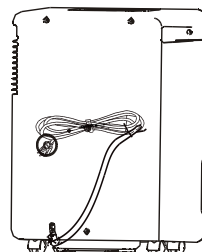


Fig. 12

TROUBLESHOOTING TIPS

Before calling for service, review the chart below first yourself.

Problem	What to check
Unit does not start	<ul style="list-style-type: none">● Make sure the dehumidifier s plug is pushed completely into the outlet.● Check the house fuse/circuit breaker box.● Dehumidifier has reached its preset level or bucket is full.● Water bucket is not in the proper position.
Dehumidifier does not dry the air as it should	<ul style="list-style-type: none">● Did not allow enough time to remove the moisture.● Make sure there are no curtains, blinds or furniture blocking the front or back of the dehumidifier.● The humidity control may not be set low enough.● Check that all doors, windows and other openings are securely closed.● Room temperature is too low, below 5°C(41°F).● There is a kerosene heater or something giving off water vapor in the room.
The unit makes a loud noise when operating	<ul style="list-style-type: none">● The air filter is clogged.● The unit is tilted instead of upright as it should be.● The floor surface is not level.
Frost appears on the coils	<ul style="list-style-type: none">● This is normal. The dehumidifier has Auto defrost feature.
Water on floor	<ul style="list-style-type: none">● Hose to connector or hose connection may be loose.● Intend to use the bucket to collect water, but the back drain plug is removed.
ES, AS,P2 and EC appear in the display	<ul style="list-style-type: none">● These are error codes and protection code. See the CONTROL PADS ON THE DEHUMIDIFIER section.

Air Conditioner Warranty

Your product is protected by this warranty:

Warranty service must be obtained from Midea Consumer Services or an authorized Midea servicer.

	WARRANTY PERIOD	MIDEA, THROUGH ITS AUTHORIZED SERVICERS, WILL:	THE CONSUMER WILL BE RESPONSIBLE FOR:
FULL ONE-YEAR WARRANTY	One year from original purchase date	Pay all costs for repairing or replacing parts of this appliance which prove to be defective in materials or workmanship.	Transportation and costs of service calls that are listed under NORMAL RESPONSIBILITIES OF THE CONSUMER*
LIMITED 2 ND -5 TH YEAR WARRANTY (sealed system)	Second through fifth years from original purchase date	Repair or replace any parts in the Sealed Refrigeration System (compressor, condenser, evaporator and tubing) proves to be defective in materials workmanship.	Diagnostic, removal, transportation and reinstallation costs required because of service. Costs for labor, parts and transportation other than with respect to the Sealed Refrigeration System.

Midea replacement parts shall be used and will be warranted only for the period remaining on the original warranty.

NORMAL RESPONSIBILITIES OF THE CONSUMER*

This warranty applies only to products in ordinary household use, and the consumer is responsible for the items listed below:

1. Proper use of the appliance in accordance with instructions provided with the product.
2. Proper installation by an authorized service professional in accordance with instructions provided with the appliance and in accordance with all local plumbing, electrical and / or gas codes.
3. Proper connection to a grounded power supply of sufficient voltage, replacement of blown fuses, repair of loosen connections or defects in house wiring.
4. Expenses for making the appliance accessible for servicing.
5. Damages to finish after installation.

EXCLUSIONS

This warranty does not cover the following:

- 1) Failure caused by damage to the unit while in your possession (other than damage caused by defect or malfunction), by its improper installation, or by unreasonable use of the unit, including without limitation, failure to provide reasonable and necessary maintenance or to follow the written Installation and Operating Instructions.
- 2) Damages caused by services performed by persons other than authorized Midea servicers; use of parts other than Midea replacement parts; obtained from persons other than such Midea customer service; or external causes such as abuse, misuse, inadequate power supply.
- 3) If the unit is put to commercial, business, rental, or other use or application other than for consumer use, we make no warranties, express or implied, including but not limited to, any implied warranty of merchantability or fitness for particular use or purpose.
- 4) Products without original serial numbers or products that have serial numbers which have been altered or cannot be readily determined.

Note: Some states do not allow the exclusion or limitation of incidental or consequential damages. So this limitation or exclusion may not apply to you.

IF YOU NEED SERVICE

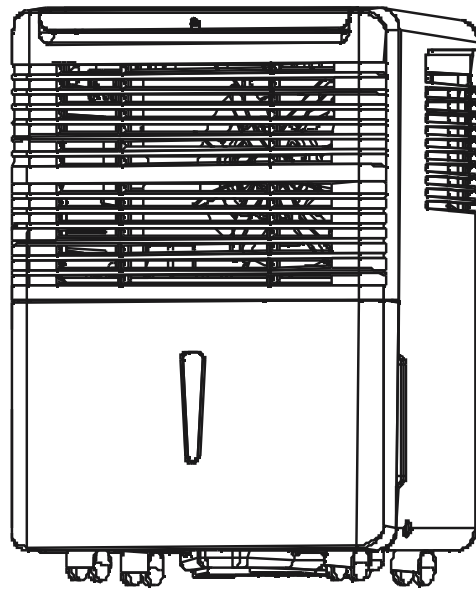
Keep your bill of sale, delivery slip, or some other appropriate payment record.
 The date on the bill established the warranty period should service be required.
 If service is performed, it is your best interest to obtain and keep all receipts.
 This written warranty gives you specific legal rights. You may also have other rights that vary from state to state.
 Service under this warranty must be obtained by following these steps, in order:

1. Contact Midea Consumer Services or an authorized Midea servicer at 1-866-646-4332
2. If there is a question as to where to obtain service, contact our consumer relations Department.

DESHUMEDECEDOR

Keystone™

MANUAL DE INSTRUCCIÓN



Modelo: KSTAD70B

Para un funcionamiento eficaz, por favor lea las instrucciones cuidadosamente y guárdelas en un lugar seguro para referencia futura.

OBSERVACIÓN SOCIABLE

Cuando utilizar este deshumidificador en los países europeos, la siguiente información deben ser seguida:

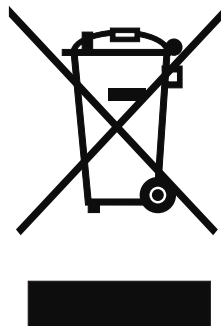
ELIMINACIÓN: No deseche este producto como residuo municipal sin clasificar. La recolección de este residuo por separado para el tratamiento especial es necesaria.

Prohibido desechar este aparato a la basura doméstica.

Para su eliminación, existen varias posibilidades:

- A) El municipio ha establecido sistemas de recolección, donde los residuos electrónicos pueden eliminarse al menos sin cargo alguno al usuario.
- B) En la compra de un nuevo producto, el minorista puede retirar el producto anterior por lo menos de forma gratuita.
- C) La fabricación retirará el aparato usado para la eliminación al menos sin cargo al usuario.
- D) Debido que los productos viejos contienen valiosos recursos, pueden ser vendidos a los chatarreros de metal.

La eliminación silvestre de los residuos en los bosques y paisajes pone en peligro su salud cuando sustancias peligrosas entren en el agua subterránea y encuentren su camino en la cadena alimenticia .



CONTENIDOS

PRECAUCIONES DE SEGURIDAD

Advertencia.....	2
Precaución.....	2
Información eléctrica.....	3

TECLAS DE CONTROL DEL DESHUMIDIFICADOR

Teclas de control.....	4
Otras características.....	5

IDENTIFICACIÓN DE PARTES

Identificación de partes.....	6
Colocación de la unidad.....	7

OPERACIÓN DE LA UNIDAD

Cuando se utiliza la unidad.....	7
Eliminación del agua recogida.....	8

CUIDADO Y MANTENIMIENTO

Cuidado y limpieza del deshumidificador.....	9
--	---



CONSEJOS PARA SOLUCIONAR PROBLEMAS

Consejos para solucionar problemas.....	10
---	----



PRECAUCIONES DE SEGURIDAD

Para evitar lesiones al usuario o otras personas y daños a la propiedad, las siguientes instrucciones deben ser seguidas. La operación incorrecta debido a la inobservancia de las instrucciones puede causar lesiones o daños.

- La gravedad se clasifica mediante las siguientes indicaciones.

 ADVERTENCIA	Este símbolo indica la posibilidad de muerte o lesiones graves.
 PRECAUCIÓN	Este símbolo indica la posibilidad de lesiones o daños a la propiedad.

- La significación de los símbolos utilizados en este manual se indica a continuación.

	Nunca haga esto.
	Siempre Haga esto.

ADVERTENCIA

⊘ No exceda la potencia nominal de la toma de corriente o el dispositivo de conexión.

- De lo contrario, podría producirse descarga eléctrica o incendio debido a la generación de calor excesivo.

⊘ No encienda ni apague la unidad por conectar o desconectar la alimentación.

- Puede causar descarga eléctrica o incendio debido a la generación de calor.

⊘ No encienda ni apague la unidad por conectar o desconectar la alimentación.

- Puede causar descarga eléctrica o incendio.

⊘ No modificar la longitud del cable de alimentación o compartir la toma de con otros aparatos.

- Puede causar descarga eléctrica o incendio debido a la generación de calor.

⊘ No insertar o extraer el enchufe con las manos mojadas.

- Puede causar descarga eléctrica.

⊘ No colocar la unidad cerca de una fuente de calor.

- Las piezas de plástico pueden derretirse y causar un incendio.

⓪ Desconecte la alimentación si ruidos extraños, olor, o humo salen del aparato.

- Puede causar descarga eléctrica y fuego.

⓪ Usted nunca debe tratar de tomar aparte o reparar la unidad por usted mismo.

- Puede causar fallo en el producto o descarga eléctrica.

⓪ Antes de limpiar, desconecte la alimentación y desenchufe la unidad.

- Puede causar descarga eléctrica o lesiones.

⊘ No utilice el equipo cerca de gas inflamable o combustibles, tales como gasolina, benceno, disolvente, etc atos.

- Esto puede causar una explosión o incendio.

⊘ No beber o usar el agua de drenaje de la unidad.

- Contiene contaminantes y puede causar enfermedades.

⊘ No retirar la cubeta de agua durante el funcionamiento.

- Puede causar la cubeta llena de proteger la unidad y causar descarga eléctrica. enfermedades.

PRECAUCIÓN

⊘ No utilizar la unidad en espacios pequeños.

- La falta de ventilación puede causar sobrecalentamiento e incendio.

⊘ No colocar en lugares donde el agua puede salpicar sobre la unidad.

- El agua puede entrar en la unidad y degradar el aislamiento. Puede causar una descarga eléctrica o incendio.

⓪ Coloque la unidad sobre una sección plana y dura del suelo.

- Si la unidad se cae, puede causar que el agua derramarse y dañar la propiedad, o provocar descarga eléctrica o incendio.

PRECAUCIONES DE SEGURIDAD

PRECAUCIÓN

No cubrir las aberturas de admisión o de escape con paños o toallas.

- La falta de flujo de aire puede provocar sobrecalentamiento e incendio.

Nunca inserte su dedo u otros objetos extraños en rejillas o aberturas. Tenga especial cuidado de advertir a los niños de estos peligros.

- Puede causar descarga eléctrica o fallo del aparato.

Inserte siempre el filtro con seguridad. Limpie el filtro una vez cada dos semanas.

- El funcionamiento sin filtros puede provocar fallo.

Se debe tener cuidado cuando se utiliza la unidad en una habitación con las siguientes personas:

- Bebés, niños, ancianos y personas no sensibles a la humedad.

No colocar objetos pesados sobre el cable de alimentación y tenga cuidado para que el cable no está comprimido.

- Existe peligro de incendio o descarga eléctrica.

Si el agua entra en la unidad, apague el aparato y desconecte la alimentación, llame a un técnico de servicio calificado.

- Puede causar fallo de aparato o accidente.

No usar en áreas donde se manipulan productos químicos.

- Esto causará el deterioro de la unidad debido a los productos químicos y disolventes disueltos en el aire.

No subir ni sentarse sobre la unidad.

- Usted puede lesionarse si se cae o si la unidad se cae.

No colocar floreros u otro recipiente con agua en la parte superior de la unidad.

- El agua puede derramarse en el interior de la unidad, causando fallo en el aislamiento y descarga eléctrica o incendio.

Información eléctrica

- La placa del fabricante está situada en el panel trasero de la unidad y contiene datos eléctricos otros datos técnicos específicos para esta unidad.
- Asegúrese de que la unidad está correctamente conectada a tierra. Para minimizar los riesgos de descarga eléctrica e incendio, la conexión a tierra adecuada es importante. El cable de alimentación está equipado con un enchufe de tres clavijas puesto a tierra para la protección contra posibles descargas eléctricas.
- Su unidad debe ser utilizada en una toma de corriente de pared correctamente conectada a tierra. Si la toma de corriente de pared que pretende utilizar no está adecuadamente conectada a tierra o protegida por un fusible de retardo o un interruptor de circuito, haga que un electricista calificado instale la toma de corriente adecuada.
- Asegúrese de que la toma de corriente sea accesible después de la instalación de la unidad.
- No utilizar cables de extensión o un enchufe de adaptador con esta unidad. Sin embargo, si es necesario usar un cable de extensión, utilice sólo un cable de extensión "Deshumidificador" aprobado (como mucho disponible en las tiendas locales de hardware).
- Para evitar la posibilidad de lesiones personales, siempre desconecte la fuente de alimentación a la unidad, antes de la instalación y / o el mantenimiento.

TECLAS DE CONTROL DEL DESHUMIDIFICADOR

NOTA: El panel de control de la unidad que ha adquirido puede ser un poco diferente de acuerdo a los modelos.

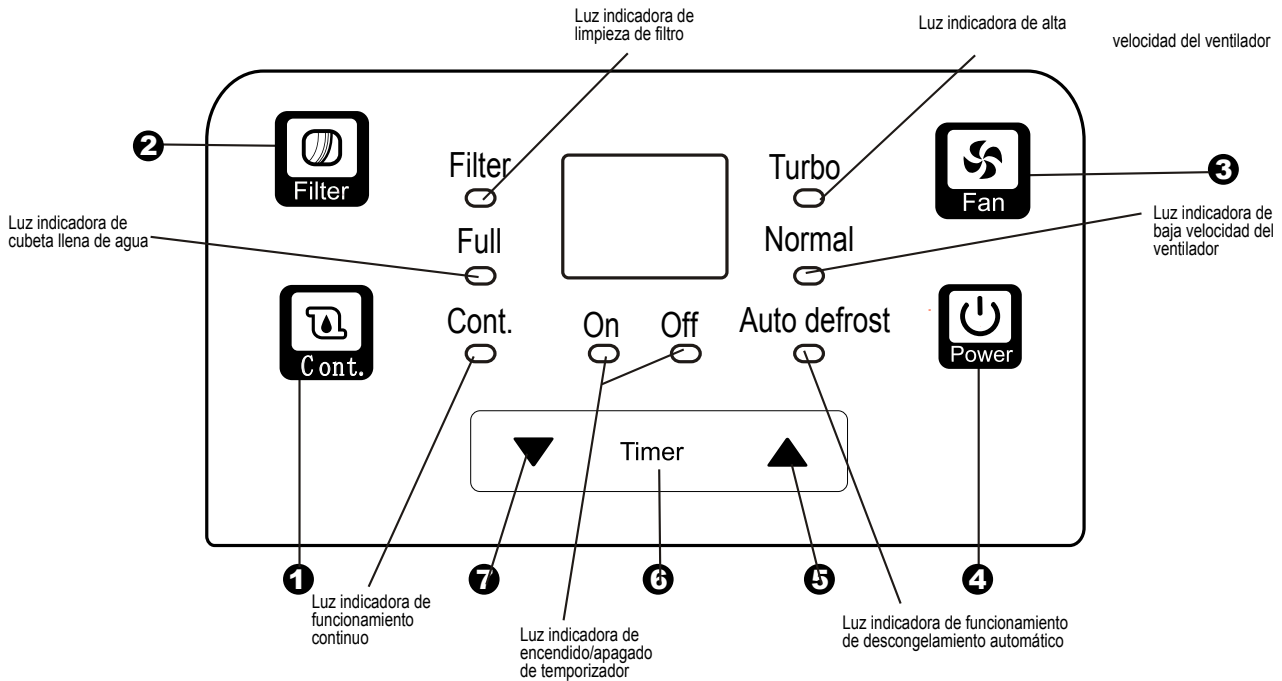


Fig.1

Teclas de control

Cuando usted presiona el botón para cambiar modos de operación, la unidad emitirá un sonido bip para indicar que está cambiando los modos.

1 Tecla de Continúe

Pulse para activar el funcionamiento continuo de deshumidificación.

2 Tecla de Filter

La función de comprobación del filtro es un recordatorio para limpiar el filtro de aire para un funcionamiento más eficiente. La luz de Filter (luz indicadora de limpieza de filtro) se encenderá después de 250 horas de funcionamiento. Para reinicializar después de limpiar el filtro, pulse el tecla de Filter y la luz se apagará.

3 Tecla de Fan

Control de la velocidad del ventilador. Pulse para seleccionar la velocidad alta o normal del ventilador. Ajuste el control del ventilador a High para la eliminación de humedad máxima. Cuando la humedad ha sido reducida y el funcionamiento silencioso se prefiere, ajuste el control del ventilador a Normal

4 Tecla de Power

Pulse para encender o apagar el deshumidificador.

5/7 ▲ / ▼ : Tecla de Up/Down

● Teclas de Controles de Ajuste de Humedad

El nivel de humedad puede ajustarse dentro de una gama de 35% de HR (humedad relativa) y 85% de HR (humedad relativ) en incrementos de 5%.

Para secar el aire, pulse el tecla ▼ y ajuste a un valor porcentual (%) menor.

Para humedecer el aire, pulse el tecla ▲ y ajuste un valor porcentual (%) mayor.

● Teclas de Control de Ajuste de TEMPORIZADOR

Use las teclas de Up / Down para ajustar las horas de encendido automático y apagado automático de 0.0 a 24.

6 Tecla de Timer

Pulse para iniciar la función de encendido automático y apagado automático en conjunto con las teclas ▲ y ▼ .

TECLAS DE CONTROL DEL DESHUMIDIFICADOR

● Pantalla de visualización

Se muestra el nivel % de humedad del 35% al 85% o la hora de encendido/apagado automático a (0 a 24) durante el ajuste, a continuación, se muestra el nivel % de humedad ambiente real ($\pm 5\%$ de exactitud) en una gama de 30% HR (humedad relativa) a 90% HR (humedad relativa).

Códigos de error y código de protección:

AS- Error de sensor de humedad - Desenchufe la unidad y vuelva a enchufela. Si se repite el error, llame al servicio.

ES- Error de sensor de temperatura - Desenchufe la unidad y vuelva a enchufela. Si se repite el error, llame al servicio.

P2- La cubeta de agua está llena o no está en la posición correcta - Vacíe la cubeta y colóquela en la posición correcta.

E1- Mal funcionamiento de la unidad - Desenchufe la unidad y vuelva a enchufela. Si se repite el error, llame al servicio.

EC- Mal funcionamiento de la unidad - Por favor, compruebe si la temperatura ambiente es adecuada para la temperatura indicada en el manual o not. If no, por favor, utilice la unidad bajo la temperatura indicada. If la temperatura ambiente es adecuada para la temperatura indicada, por favor, llame al servicio.

Otras características

Luz indicadora de cubeta llena de agua

Se enciende cuando la cubeta esté lista para ser vaciado, o cuando la cubeta se retire o coloque en la posición incorrecta.

Apagado automático

El deshumidificador se apaga después de 30 segundos cuando la cubeta esté llena, o cuando la cubeta se retire o no se coloque en la posición correcta. When alcanza a la humedad de ajuste, la unidad se apagará automáticamente.

En algunos modelos, el motor del ventilador continuará funcionando.

Descongelamiento automático

Cuando la escarcha se acumule en los serpentines del evaporador, el compresor hará ciclo de apagado y el ventilador continuará funcionando hasta que la escarcha desaparece.

Espere 3 minutos antes de reanudar la operación

Después de que la unidad se ha apagado, no se puede reiniciar la operación en los primeros 3 minutos. Esto es para proteger la unidad. La operación se iniciará automáticamente después de 3 minutos.

Función de comprobación del filtro

El sistema comienza a contar el tiempo una vez que el motor del ventilador funciona. La función de comprobación de filtro sólo puede ser activada cuando el tiempo acumulado de funcionamiento alcanza 250 horas o más. La luz de reajustar (luz indicadora de limpieza de filtro) parpadea a una vez por segundo, después de terminar la limpieza del filtro de aire, pulse la tecla de Filter y la luz de reajustar (luz indicadora de limpieza de filtro) se apagará.

Reanudar automáticamente

Si la unidad se interrumpe de forma inesperada debido al corte de energía, se volverá a encender de manera automática con el ajuste de función anterior cuando la energía reanuda.

Ajuste del temporizador

- Cuando la unidad está encendida, primero pulse la tecla de Timer, la luz indicadora de apagado de temporizador se enciende. Esto indica que el programa de apagado automático es activado. Pulse de nuevo esta tecla, la luz indicadora de encendido de temporizador se enciende, esto indica que el programa de encendido automático es activado.
- Cuando la unidad está apagada, primero pulse la tecla de Timer, la luz indicadora de encendido de temporizador se enciende. Esto indica que el programa de encendido automático es activado. Pulse de nuevo esta tecla, la luz indicadora de apagado de temporizador se enciende, esto indica que el programa de apagado automático es activado.
- Pulse o mantenga pulsada la tecla UP o DOWN para cambiar el tiempo de Auto por los incrementos de 0,5 horas, hasta 10 horas, entonces a los incrementos de 1 hora hasta 24 horas. el control contará atrás el tiempo restante hasta encender.
- El tiempo seleccionado se registrará en 5 segundos y el sistema volverá automáticamente a mostrar la humedad de ajuste anterior.
- Si las horas de encendido automático y apagado automático son ajustados dentro de la misma secuencia de programa, las luces indicadoras de encendido y apagado de temporizador se encienden, esto indica que tanto la hora de encendido como la de apagado ahora son programadas.
- El encendido o apagado de la unidad en cualquier momento, o cambio del ajuste de temporizador a 0.0, cancelará la función de encendido/apagado automático.
- Cuando se muestra el código de P2 en la pantalla de visualización LED, también se cancelará la función de encendido/apagado automático.

IDENTIFICACIÓN DE PARTES

Identificación de partes

Delantero

- ❶ Panel de control
- ❷ Rejilla de entrada de aire
- ❸ Rejilla salida de aire
- ❹ Filtro de aire (detrás de la rejilla)
- ❺ Cubeta de agua
- ❻ Mango (ambos lados)

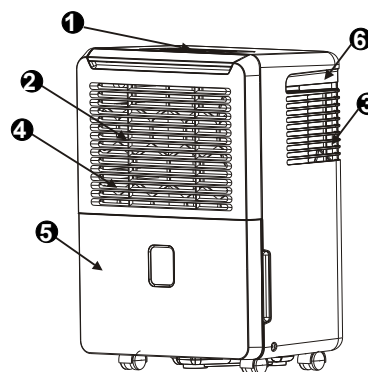


Fig.2

Trasero

- ❶ Salida de la manguera de drenaje
- ❷ Ruedecilla de mobiliario
- ❸ Cable de alimentación y enchufe
- ❹ Banda (se utiliza sólo cuando guardar la unidad.)

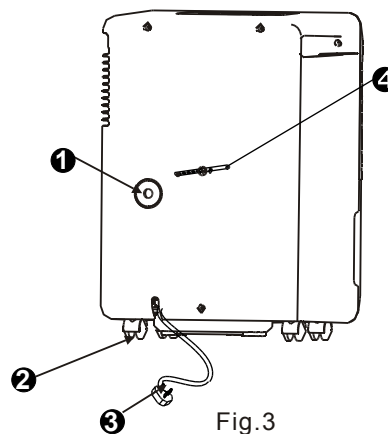


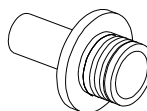
Fig.3

NOTA: Todas las figuras en este manual son sólo para fines ilustrativos. La real forma de la unidad que ha adquirido puede ser un poco diferente, pero las operaciones y funciones son las mismas.

Accesorios: manguera de drenaje (1 pieza)



Adaptador A (1 pieza)



Tornillo (2 piezas)



OPERACIÓN DE LA UNIDAD

Colocación de la unidad

Si un deshumidificador funciona en un sótano, tendrá poco o ningún efecto en el secado de una zona de almacenamiento adyacente cerrada, tal como un armario, a menos que exista una circulación adecuada de aire dentro y fuera de la zona.

- No usar al aire libre.
- Este deshumidificador está diseñado sólo para aplicaciones residenciales de interior. Este deshumidificador no debe utilizarse para aplicaciones comerciales o industriales.
- Coloque el deshumidificador en un piso plano y nivelado, suficientemente firme para soportar la unidad con una cubeta de agua llena de agua.
- Deje al menos 20 cm de espacio por todos lados de la unidad para la buena circulación de aire.
- Coloque la unidad en una zona donde la temperatura no descienda por debajo de 5°C (41°F). Los serpentines pueden ser cubiertos con hielo a temperaturas inferiores a 5°C (41°C), lo que puede reducir el rendimiento.
- Coloque la unidad lejos de la secadora de ropa, calentador o radiador.
- Utilice la unidad para evitar daños por humedad en libros o artículos de valor guardados .
- Utilice el deshumidificador en un sótano para ayudar a prevenir daños por humedad.
- El deshumidificador debe utilizarse en un área cerrada para ser más efectivo.
- Cierre todas las puertas, ventanas y otras aberturas al exterior de la habitación.

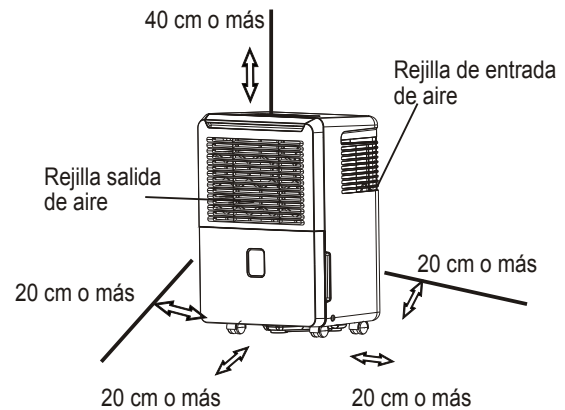


Fig.4a

Ruedecilla de mobiliario (en cuatro puntos de la parte inferior de la unidad)

- Las ruedecillas de mobiliario pueden moverse libremente.
- No forzar ruedecillas de mobiliario moverse sobre la alfombra, ni mover la unidad con agua en la cubeta. (La unidad podría caerse y derramar el agua.)

Quando se utiliza la unidad

- La primera vez que se utiliza el deshumidificador, haga la unidad funcionar por 24 horas.
- Esta unidad está diseñada para funcionar con un medio de trabajo entre 5 °C / 41 °F y 35 °C / 95 °F.
- Si la unidad ha sido apagada y se necesita encender de nuevo rápidamente, deje unos tres minutos para el correcto funcionamiento para reanudar.
- No conectar el deshumidificador a una toma de corriente múltiple, que también está siendo utilizada por otros aparatos eléctricos.
- Seleccione un lugar adecuado, asegurándose de que tenga fácil acceso a una toma de corriente eléctrica.
- Enchufe la unidad en una toma de corriente eléctrica con conexión a tierra.
- Asegúrese de que la cubeta de agua esté instalada correctamente, de lo contrario la unidad no funcionará correctamente.

NOTA: Cuando el agua en la cubeta alcanza un nivel determinado, por favor, mueva cuidadosamente la máquina para evitar que se caiga.

OPERACIÓN DE LA UNIDAD

Eliminación del agua recogida

Hay dos formas de eliminar el agua recogida.

1. Use la cubeta

- Cuando la unidad esté apagada, si la cubeta está llena, la unidad pitará 8 veces y la luz indicadora de cubeta llena de agua parpadeará, en la pantalla digital se muestra P2.
- Cuando la unidad esté encendida, si la cubeta está llena, el compresor se apagará y el ventilador se apagará después de 30 segundos para secar el agua del condensador, entonces la unidad pitará 8 veces y la luz indicadora de cubeta llena de agua parpadeará, en la pantalla digital se muestra P2.
- Retire lentamente la cubeta. Agarre los mangos izquierdo y derecho firmemente y tire con cuidado de forma recta de manera que el agua no se derrame. No colocar el tanque en el suelo debido a que el fondo de la cubeta es desigual. De lo contrario la cubeta va a caerse y causar que el agua se derrame.
- Deseche el agua y coloque de nuevo la cubeta. La cubeta debe estar en su lugar y bien sentada para que el deshumidificador funcione.
- La máquina se reiniciará cuando la cubeta está restaurada en su posición correcta.

NOTAS:

- Cuando usted retira la cubeta, no tocar ninguna pieza del interior de la unidad. Si lo hace, podría dañar el producto.
- Asegúrese de empujar suavemente la cubeta hasta el fondo de la unidad. Golpear la cubeta contra cualquier cosa o no empujarla en forma segura puede hacer que la unidad no funcione.
- Cuando usted retira la cubeta, si hay algo de agua en la unidad, usted debe secarla.

2. Continuo drenaje

El agua puede desecharse automáticamente en un drenaje del piso por conectar la unidad con una manguera de agua ($\text{Id} \geq \Phi 5/16''$, no incluido) con un extremo roscado hembra (ID: M = 1'', no incluido).

- Instale la manguera de drenaje en el adaptador A. (Véase la Fig. 7, colocada en la cubeta)
- Quite la cubierta de plástico de la salida de drenaje posterior de la unidad y deje de lado y retire la cubeta, a continuación, inserte la manguera de drenaje a través de la salida de drenaje de la unidad y presione firmemente la manguera en el conector en la parte frontal de la unidad. (Véase la Fig. 9)
- Apriete el adaptador A y la unidad mediante el uso de dos tornillos (colocado en la cubeta).
- Instale el extremo roscado hembra de la manguera de agua al adaptador A. (Véase la Fig. 10), a continuación, lleve la manguera de agua al drenaje del piso o una instalación de drenaje adecuada.
- Asegúrese de que la manguera sea segura para que no haya fugas.
- Dirija la manguera hacia el drenaje, asegurándose de que no existan dobleces que detengan el flujo de agua.
- Coloque el extremo de la manguera en el drenaje y asegúrese de que el extremo de la manguera está nivelado o hacia abajo para dejar el agua fluir sin problemas. Nunca lo deje arriba.
- Vuelva a colocar la cubeta en la unidad y asegúrese de que se encuentra correctamente.
- Seleccione el ajuste de humedad deseado y la velocidad del ventilador en la unidad para empezar el continuo drenaje.

1. Retire la cubeta un poco.

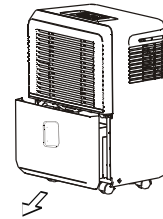


Fig.5

2. Sujete ambos lados de la cubeta con fuerza uniforme, y tire hacia fuera de la unidad.

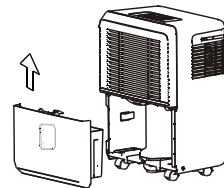


Fig.6

3. Vierta el agua.

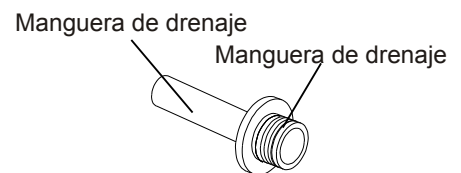


Fig.7

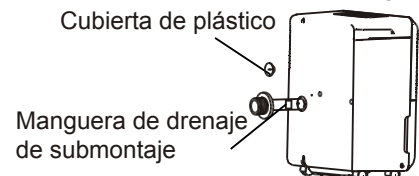


Fig.8

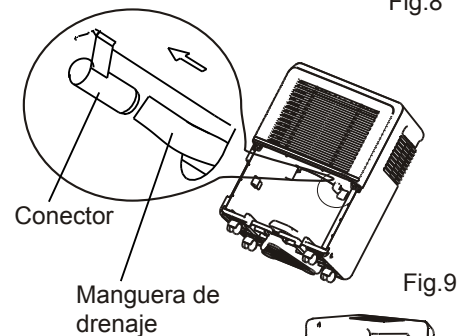


Fig.9

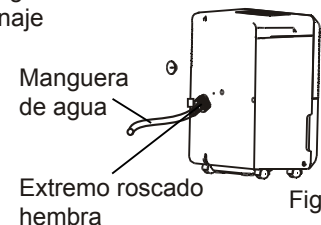


Fig.10

NOTA: Cuando la función de drenaje continuo no está siendo utilizada, retire la manguera de drenaje de la salida.

Cuidado y limpieza del deshumidificador

Apague el deshumidificador y desconecte el enchufe de la toma de corriente antes de limpiarlo.

1. Limpie la rejilla y caja

- Use agua y un detergente suave. No utilizar lejía ni productos abrasivos.
- No salpicar agua directamente sobre la unidad principal. Si lo hace, podría provocar una descarga eléctrica, hacer el aislamiento deteriorarse, o causar que la unidad se oxide.
- La toma de aire y las rejillas de salida se ensucian fácilmente, así que utilice un aspirador o cepillo para limpiar.

2. Limpie la cubeta

Cada pocas semanas, limpie la cubeta para evitar el crecimiento de moho, hongos y bacterias. Llene parcialmente la cubeta con agua limpia y añada un poco de detergente suave. Revuelva el detergente en la cubeta, vacíe y enjuague la cubeta.

NOTA: No utilice el lavaplatos para limpiar la cubeta. Después de la limpieza, la cubeta debe estar en su lugar y bien sentada para que el deshumidificador funcione.

3. Limpie el filtro de aire

- Retire el filtro cada dos semanas según las condiciones normales de funcionamiento.
- Retire el filtro desde la parte superior de la unidad (Véase la Fig. 11a), o retire la cubeta y entonces tire hacia abajo el filtro para retirarlo (Véase la Fig. 11b).
- Lave el filtro con agua limpia y séquelo.
- Vuelva a instalar el filtro, y colocar la cubeta.

PRECAUCIÓN:

NO hacer el deshumidificador funcionar sin filtro ya que la suciedad y las pelusas lo obstruirán y reducirán el rendimiento.

4. Cuando no utilizar la unidad durante largo periodo

- Después de apagar la unidad, espere un día antes de vaciar la cubeta.
- Limpie la unidad principal, cubeta de agua y filtro de aire.
- Enrolle el cable y líe la unidad con la banda (Fig. 12).
- Cubra la unidad con una bolsa de plástico.
- Almacene la unidad verticalmente en un lugar seco y bien ventilado.

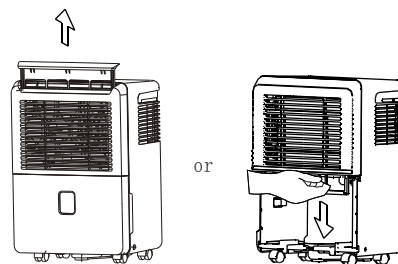


Fig. 11a

Fig. 11b

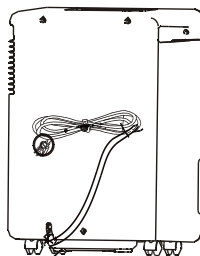


Fig. 12

CONSEJOS PARA SOLUCIONAR PROBLEMAS

Antes de llamar al servicio, primero revise la siguiente tabla por usted mismo.

Problema	Qué comprobar
La unidad no se pone en marcha	<ul style="list-style-type: none">● Asegúrese de que el enchufe del deshumidificador está insertado por completo en la toma.● Compruebe el fusible de habitación/caja de interruptor de circuito.● El deshumidificador ha alcanzado su nivel preestablecido o la cubeta está llena.● La cubeta de agua no está en la posición correcta.
El deshumidificador no seca el aire como debería	<ul style="list-style-type: none">● No dar el tiempo suficiente para eliminar la humedad.● Asegúrese de que no haya cortinas, persianas o muebles que bloqueen la parte delantera o trasera del deshumidificador.● El control de humedad no se puede establecer suficientemente baja.● Compruebe si todas las puertas, ventanas y otras aberturas están cerradas completamente.● La temperatura ambiente es demasiado baja, por debajo de 5 ° C (41 °F).● Hay un calentador de queroseno o algo que emite vapor de agua en la habitación.
La unidad emite un ruido fuerte cuando funciona	<ul style="list-style-type: none">● El filtro de aire está obstruido.● La unidad está inclinada en lugar de vertical como debe ser.● La superficie del piso no está nivelada.
La escarcha aparece en los serpentines	<ul style="list-style-type: none">● Esto es normal. El deshumidificador tiene una función de descongelación automática.
Agua en el piso	<ul style="list-style-type: none">● La conexión de manguera al conector o la conexión de manguera puede estar suelta.● Tiene la intención de utilizar la cubeta para recoger el agua, pero el tapón de drenaje trasero se ha retirado.
ES, AS,P2 y EC aparecen en la pantalla	<ul style="list-style-type: none">● Estos son los códigos de error y protección Véase la sección de TECLAS DE CONTROL DEL DESHUMIDIFICADOR.

Garantía de Deshumecedor

Su producto está protegido por esta garantía:

Reparaciones bajo garantía deben ser obtenidos de Centro de Servicios al Consumidor de Midea o con un administrador de Midea.

	PERIODO DE GARANTIA	MIDEA , A TRAVES DE SU CENTRO DE SERVICIO AUTORIZADO, VAA	EL CONSUMIDOR VA A SER RESPONSABLE PARA
GARANTIA COMPLETA DE UN AÑO	Un año a partir de la fecha de compra original	Pago de la totalidad de los costos de reparación o reemplazo de las partes de este dispositivo que se comprueba defectuosos en materiales o mano de obra.	El transporte y los costos de las llamadas de servicio que se encuentra bajo RESPONSABILIDADES DEL CONSUMIDOR NORMALES
GARANTIA LIMITADA DE 2DO A 5TO AÑOS (sistema sellado)	Segundo hasta quinto Año a partir de la fecha de compra original	Reparar o reemplazar cualquier parte en la Sistema Sellado de refrigeración (compresor, el condensador, el evaporador y el tubo)se comprueban defectuosos en materiales de la mano de obra.	Diagnóstico, retirada, transporte y reinstalación necesarioS delos costos de los servicios que no sean con respecto al sistema de refrigeración Sellado

Repuestos de Midea se utilizarán y se justifican únicamente por el período restante de la garantía original

Responsabilidades de los consumidores NORMALES

Esta garantía se aplica sólo a los productos de uso doméstico ordinario, y el consumidor es el responsable de los temas que figuran a continuación;

1. El uso adecuado del dispositivo, de conformidad con las instrucciones provistas con el producto.
2. Correcta instalación por un profesional de servicio autorizado, de conformidad con las instrucciones provistas con el dispositivo, y de conformidad con todos los plomería local , electricidad y / o códigos de gas.
3. Una buena conexión a tierra a una fuente de alimentación de voltaje suficiente, de sustitución de fusibles quemados, la reparación de los defectos sueltos o las conexiones de cableado en casa.
4. Los gastos para hacer que el dispositivo llegue al centro de la prestación de servicios.
5. Los daños a perfeccionar después de la instalación.

EXCLUSIONES

Esta garantía no incluye los siguientes:

- 1) Fallos causados por el daño a la máquina cuando está de su propiedad (salvo los daños causados por el defecto o mala función), por la instalación no correctas, o por el uso irrazonable de la máquina, incluyendo sin limitación, fracaso de proveer responsabilidad y mantenimiento necesario o de seguir las Instrucciones de Instalación y Operación.
- 2) Daños causados por los servicios realizados por personas salvo los servidores autorizados de Midea, uso de las partes no de Midea
- 3) Si la máquina se usa en el campo comercial, de negocio, renta, o de otros propósitos salvo para el uso del cliente, no ofrecemos la garantía ni expresa ni implícita, incluido pero no limitado, cualquier garantía implícita de comercializable o adaptabilidad para el uso o propósito particular.
- 4) Los productos sin números seriales originales o los que no tiene los números seriales cuales no han sido alterados o no pueden ser reconocido fácilmente.

Nota: En algunos estados no se permite la exclusión o limitación de los daños incidentales o consecuenciales. Por lo tanto, esta limitación o exclusión podría no aplicar para usted.

SI USTED NECESITA SERVICIO

Guarde su recibo de compra, tiquete de reparto, o otros comprobantes apropiados de pago.

La fecha en el recibo estable el período de garantía que se requiere el servicio.

Si el servicio se ha realizado, será su mejor interés de obtener y guardar todos los recibos.

Esta garantía escrita le ofrece los derechos específicos legales.

Usted también puede tener otros derechos que varían entre cada estado.

El servicio bajo esta garantía debe ser obtenido por los pasos siguientes en orden.

1. Contactar a los Servicios a Cliente de Midea o a un servidor autorizado de Midea a 1-866-646-4332.
2. Si se tiene una cuestión como de donde se puede obtener servicio, contacte nuestro Departamento de Relaciones con Clientes.