

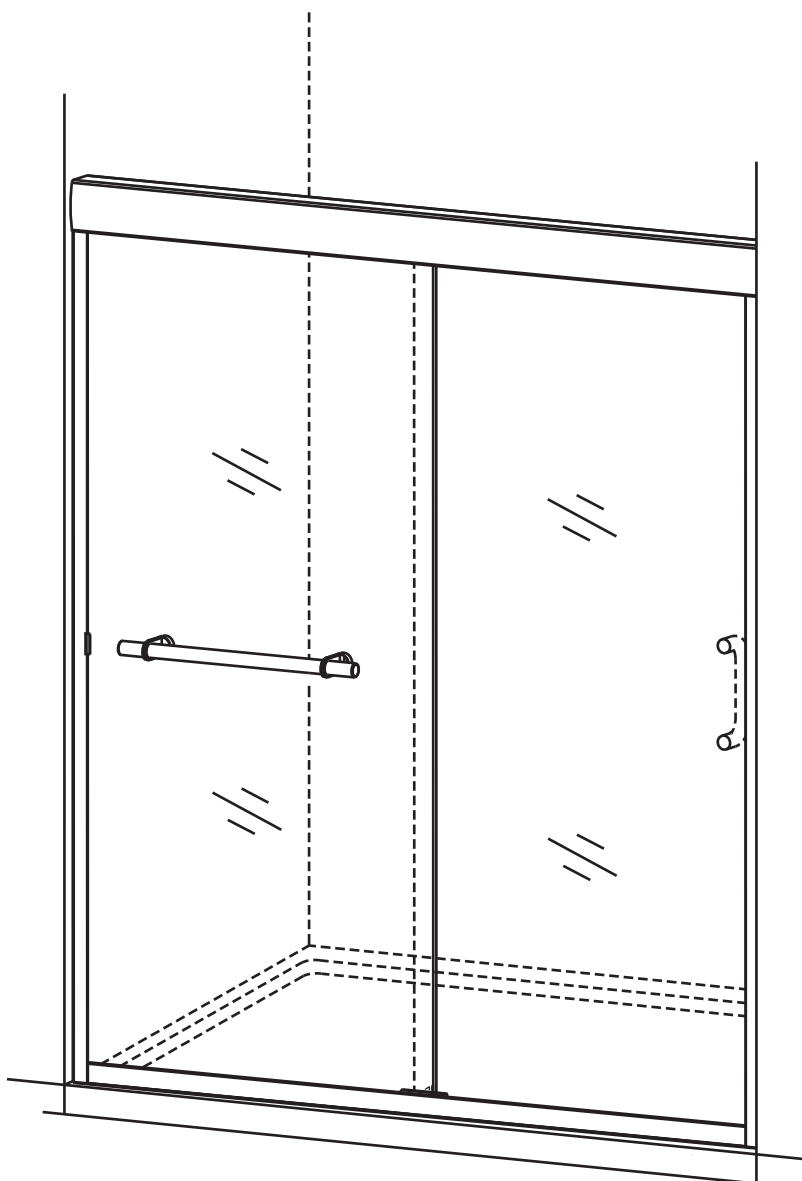
# MARINA BY-PASS

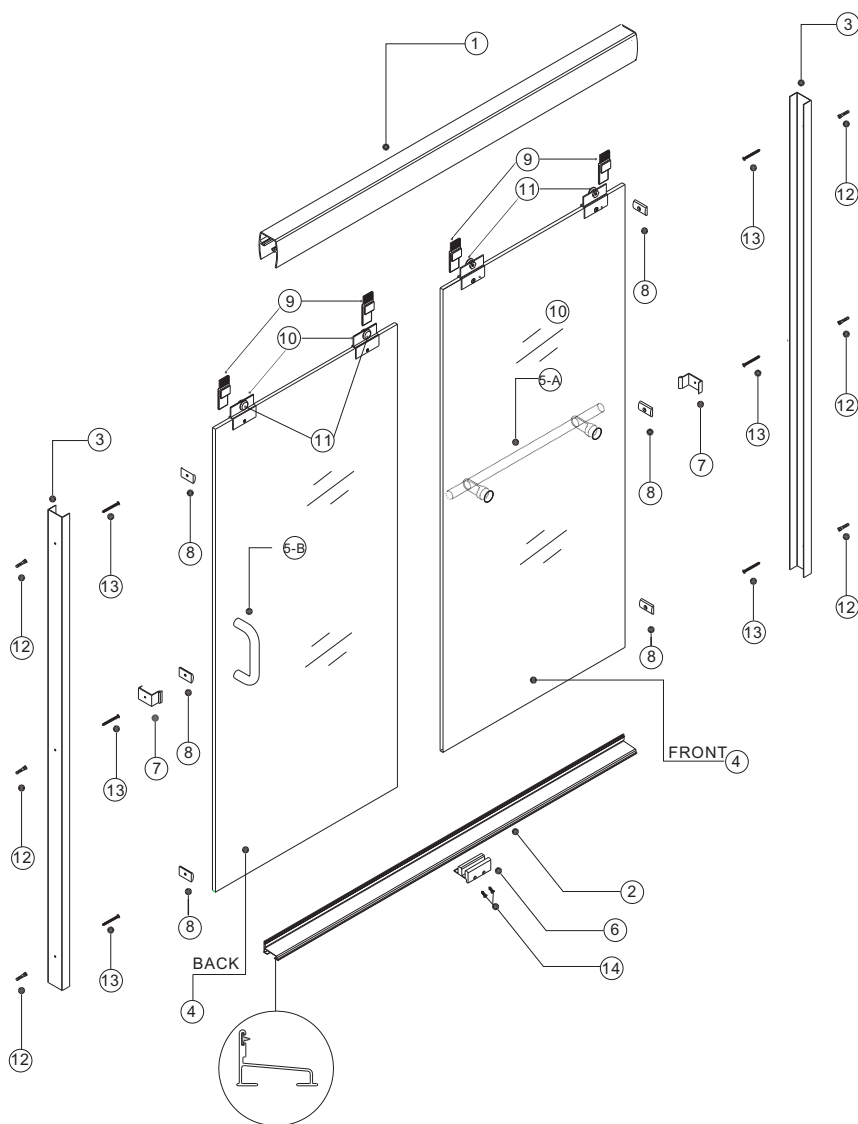
## Installation Manual

**IMPORTANT:** Record the Model No.(see carton) of your tub or shower enclosure for future reference.

Model No. \_\_\_\_\_

**READ THE INSTRUCTIONS CAREFULLY,** familiarize yourself with all the parts as shown in the exploded view. The exploded view will also provide a helpful reference when relating to the location of the various parts and how they are mounted.



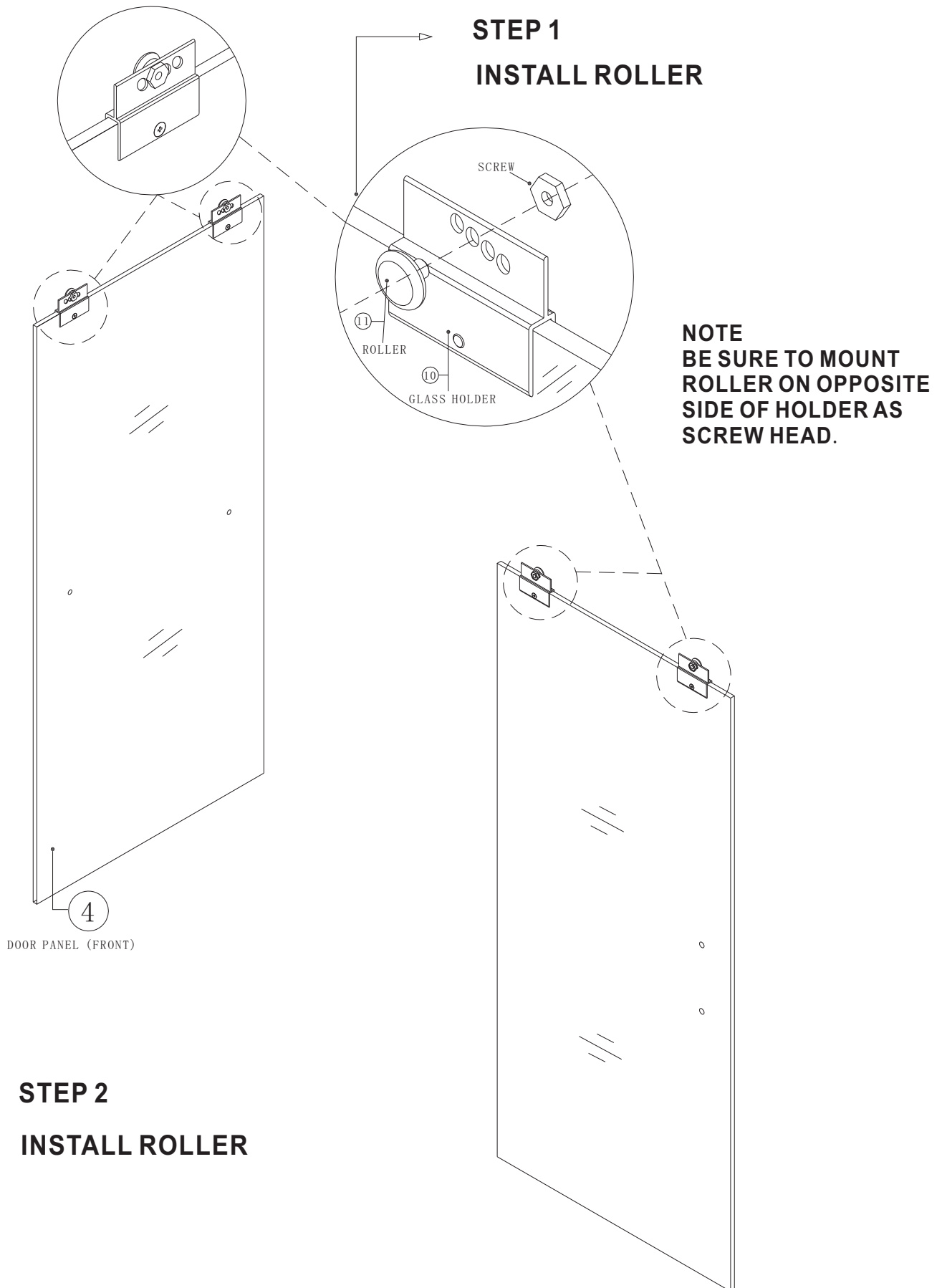


## • PART LIST.

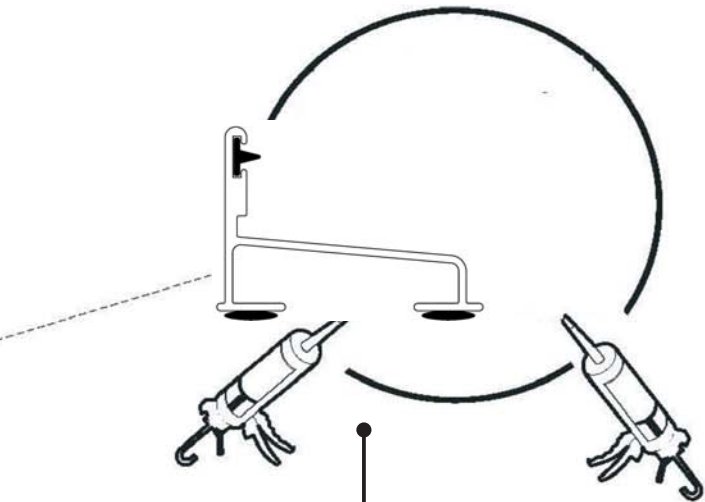
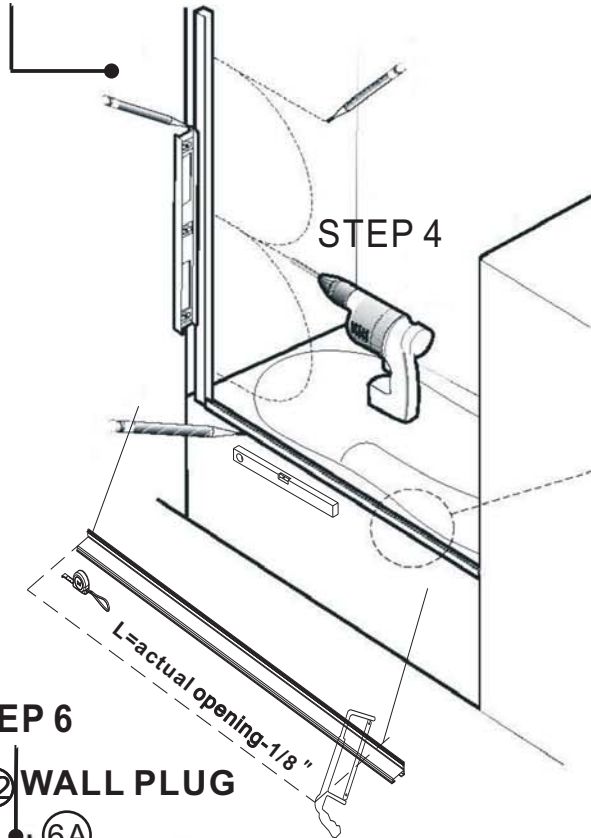
TOP TRACK (1 pcs)	BOTTOM TRACK (1 pcs)	WALL JAMB (2 pcs)	DOOR PANEL (FRONT/BACK)
TOWEL BAR (1 pcs)	HANDLE (1 pcs)	GUIDE (1 pcs)	BUMPER GUIDE (2 pcs)
WALL BUMPER (6 pcs)	SAFE SLIDER CLIP (4 pcs)	GLASS HOLDER (4 pcs)	ROLLER (4 pcs)
WALL PLUG (6 pcs)	SCREW (6 pcs)	SCREW (2 pcs)	WRENCH (1 pcs)

## • TOOLS.

SILICONE	DRILL
MEASURE TAPE	RUBBER MALLET
DRILL BITS 1/8" 1/4"	LEVEL
SCREW DRIVERS	PENCIL
INSTALL BAR (1 pcs)	HANDSAW



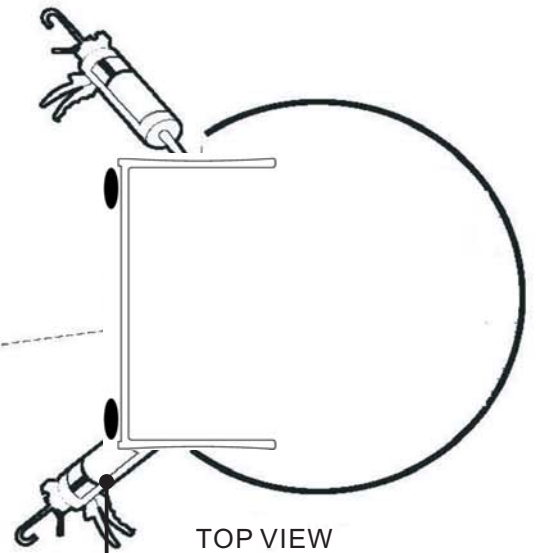
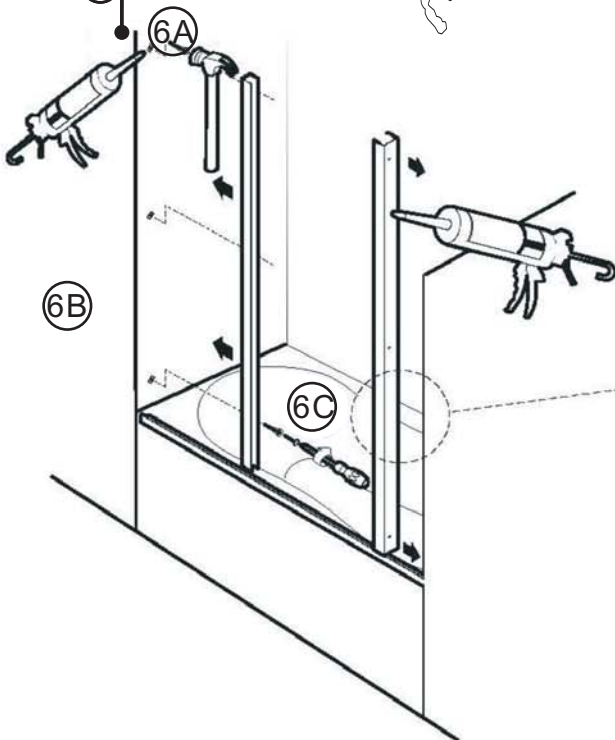
## STEP 3 REPEAT ON BOTH SIDE



## STEP 5 BOTTOM TRACK SILICONE UNDERNEATH

## STEP 6

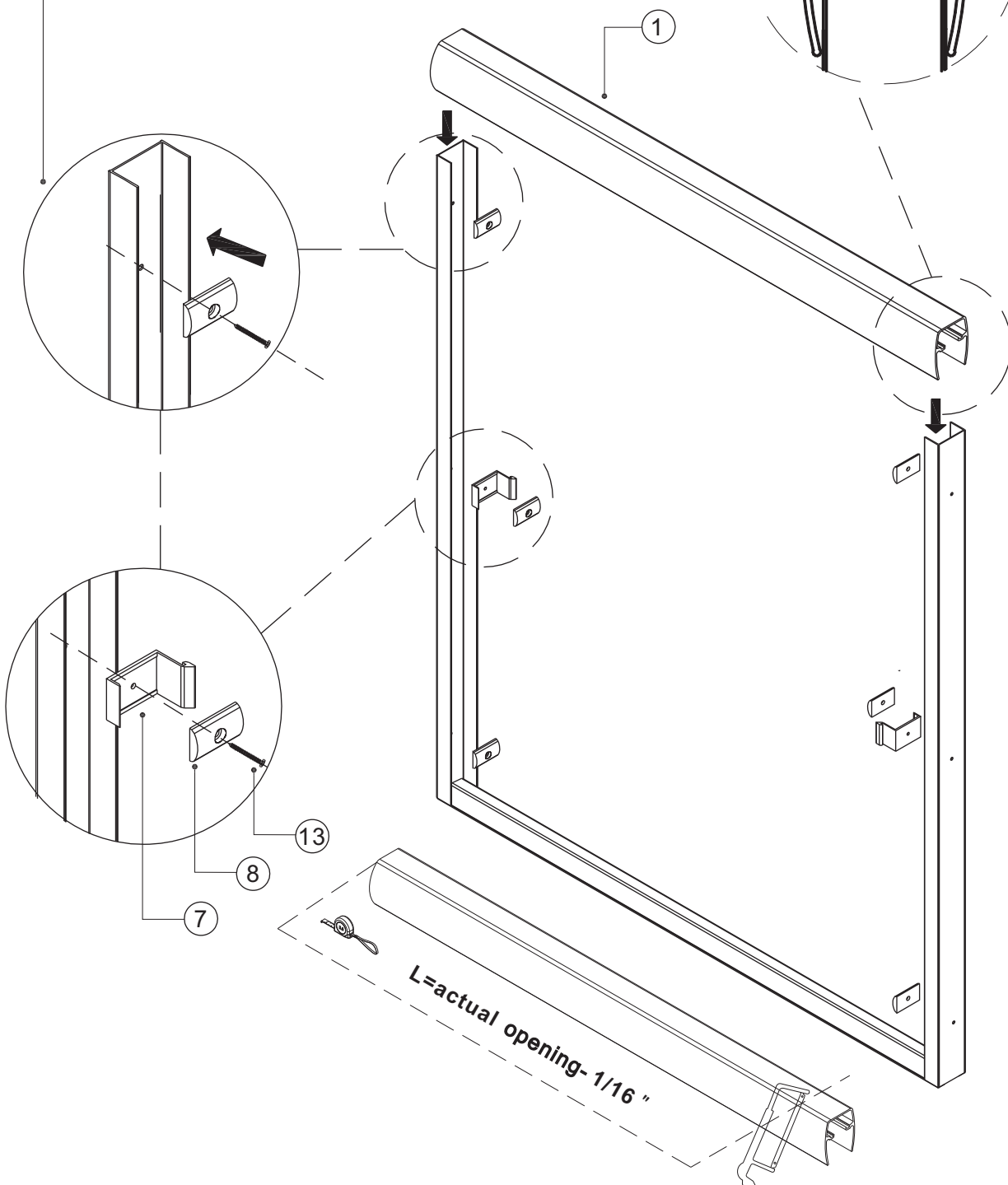
### 12 WALL PLUG



## STEP 7 WALL JAMB SILICONE ON BACK SIDE

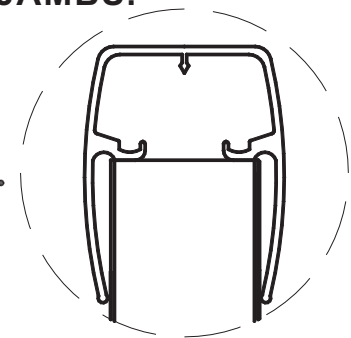
## STEP 8

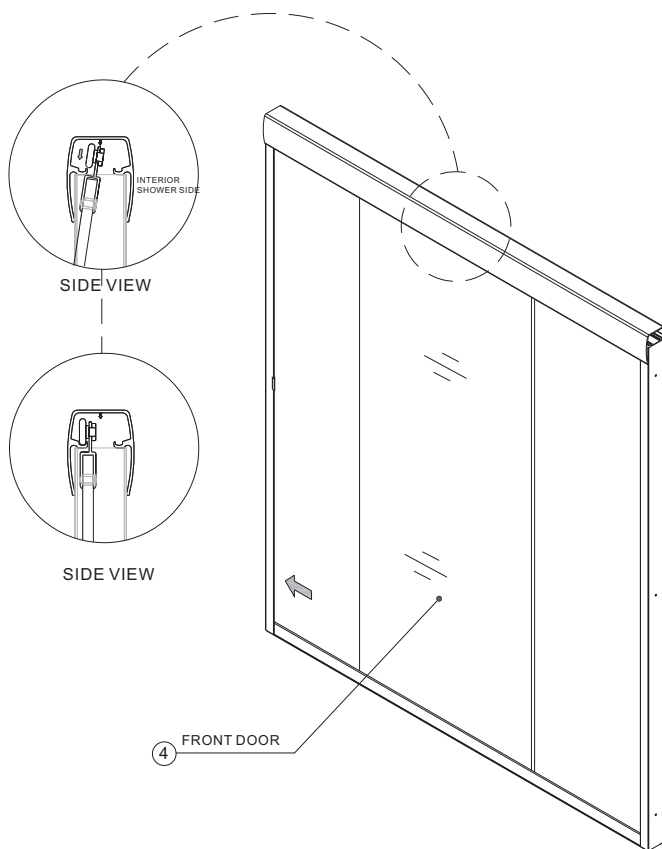
**FASTEN BUMPER GUIDE AND WALL BUMPER ONTO BOTH WALL JAMBS WITH 1-1/2" SCREW**



## STEP 9

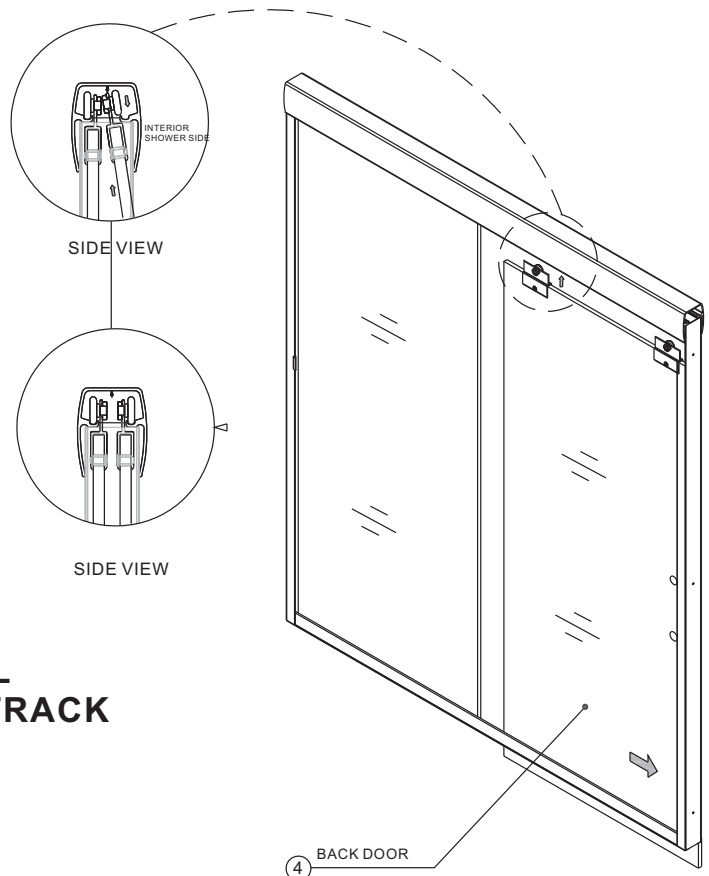
**PLACE TOP RAIL ON THE WALL JAMBS.**





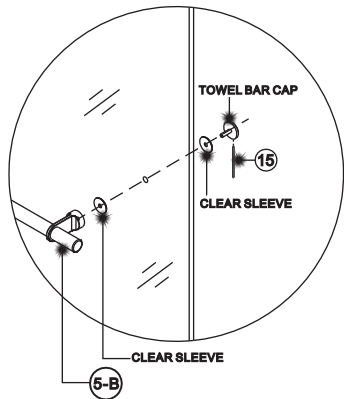
## STEP 10

**INSERT OUTER DOOR PANEL BY LIFTING UP & INTO TOP TRACK**

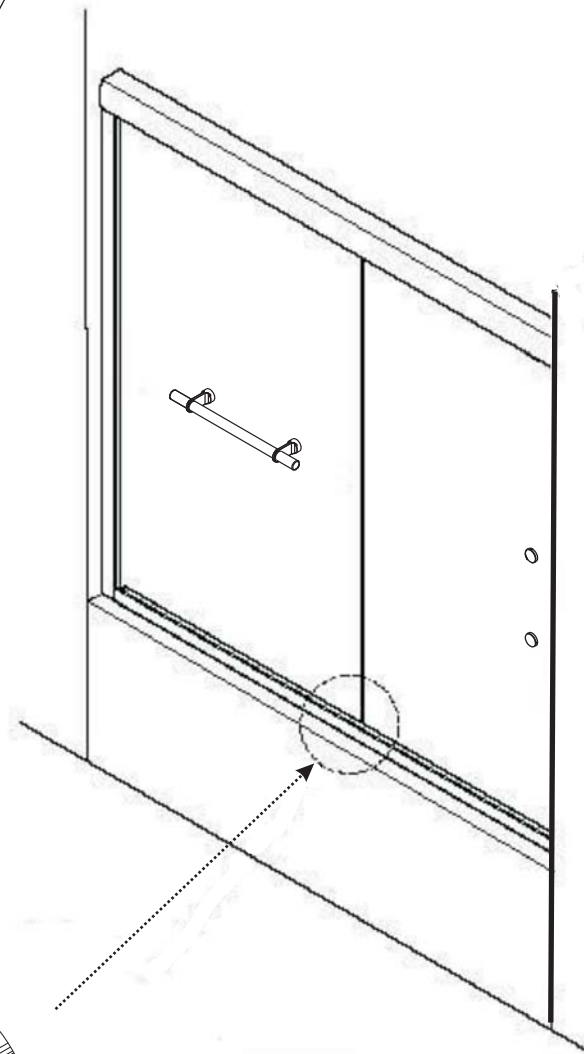


## STEP 11

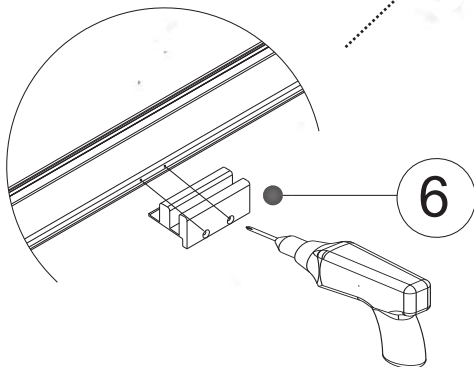
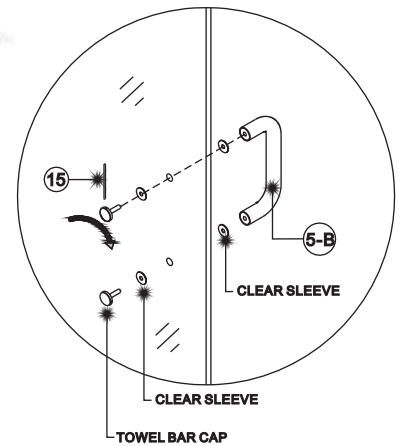
**INSERT INNER DOOR PANEL BY LIFTING UP & INTO TOP TRACK**



## STEP 12 INSTALL TOWEL BAR

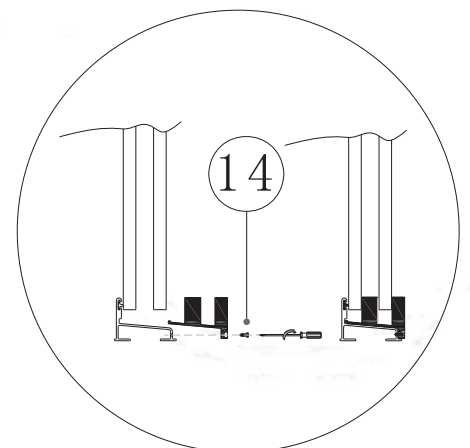


## STEP 13 INSTALL HANDLE



## STEP 14

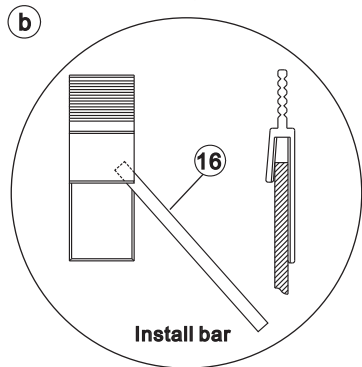
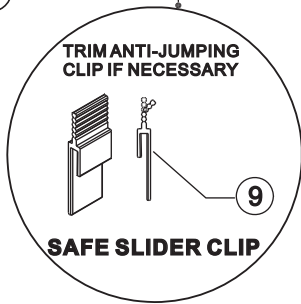
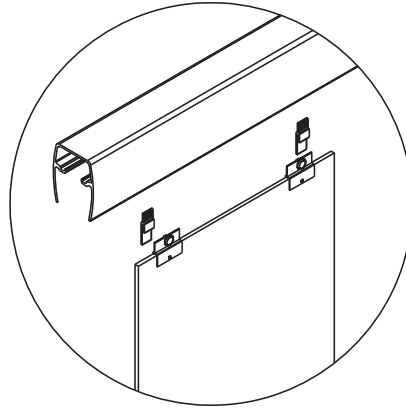
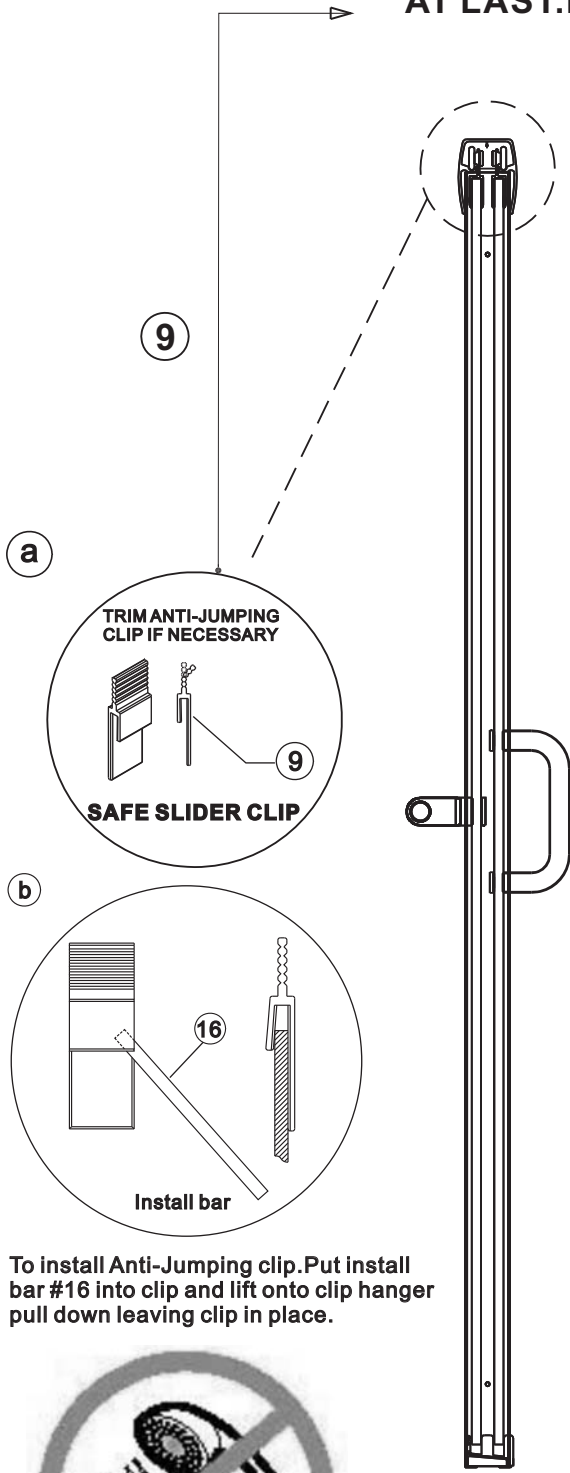
INSTALL GUIDE WITH 3/8" SCREWS



SIDE VIEW

## STEP 16

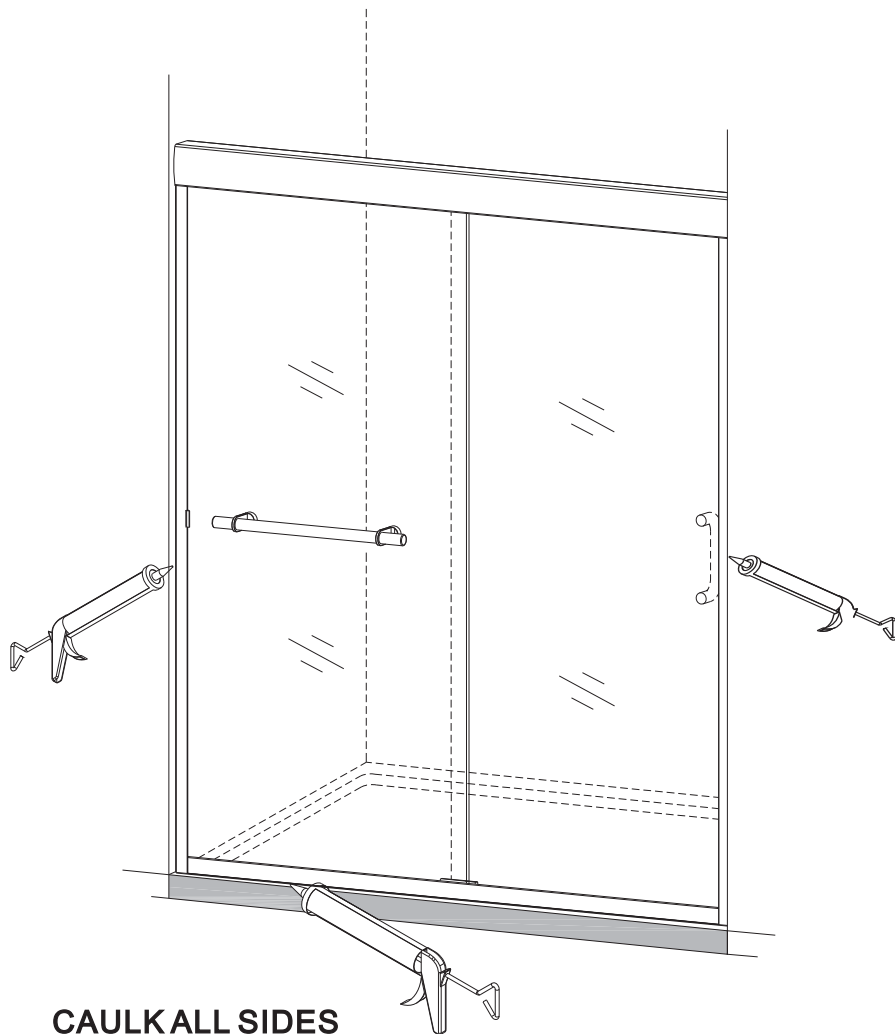
AT LAST. INSTALL SAFE SLIDER CLIP



To install Anti-Jumping clip. Put install bar #16 into clip and lift onto clip hanger pull down leaving clip in place.



**24** Hours



CAULK ALL SIDES