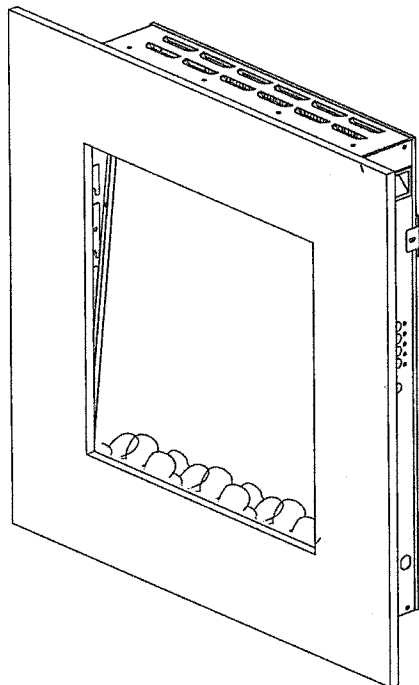


ELECTRIC FLAT PANEL FIREPLACE - NO HEAT

Model Numbers: 80-NH24-2003, 80-NH24-2004, 80-NH24-2005

OWNER'S MANUAL



AC 120V 60Hz 14W

WARNING

Read and understand this entire owner's manual, including all safety information, before plugging in or using this product. Failure to do so could result in fire, electric shock, or serious personal injury.

CAUTION

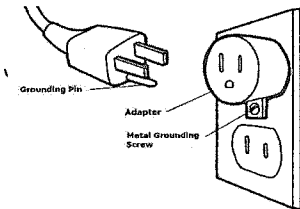
Keep this owner's manual for future reference. If you sell or give this product away, make sure this manual accompanies this product.

IMPORTANT SAFETY INFORMATION!

WARNING

- **Read all instructions before using this electric fireplace!**
- **DO NOT** run **power cord** under carpeting. **DO NOT** cover power cord with throw rugs, runners, or similar coverings. **DO NOT** route power cord under furniture or appliances. Arrange power cord **away from traffic area**, and where it will not be tripped over.
- **Connect to properly grounded outlets ONLY.**
- **NEVER** use this electric fireplace in **bathrooms, laundry rooms**, or any other location where the electric fireplace could fall into a **bathtub or pool, become damp, or come in contact with water.**
- **ALWAYS** mount to wall bracket before use. **DO NOT** set on the floor, or other surface, to use.
- **NEVER** use a wall mount bracket from another manufacturer.
- **For residential use only! NOT for commercial use!** Any commercial or public use of this electric fireplace **voids all warranties**, and could cause **injury**.
- This product is **not intended** to be a **primary heat source**. It is for **DECORATION only**.
- **INDOOR use only! NEVER** use this electric fireplace **outdoors!** Doing so may result in **electric shock!**
- **Risk of electric shock! DO NOT OPEN!** No user-serviceable parts inside!
- **NEVER modify this electric fireplace.** Doing so could result in personal **injury** or property **damage**.
Modification of this fireplace **completely voids all warranties**.
- **ALWAYS** turn this electric fireplace off before unplugging it from the outlet.
- **ALWAYS disconnect** this unit from the **power supply before** performing any assembly or cleaning, or before relocating the electric fireplace.
- **NEVER** leave this electric fireplace unattended. **ALWAYS** unplug this electric fireplace when not in use.
- **ALWAYS** store this electric fireplace in a dry location. **NEVER** use the fireplace if it has become wet.
- Place the electric fireplace near a wall outlet so an extension cord is not needed.
- **ONLY** use this electric fireplace on a **120V AC 15-Amp grounded circuit**. **NEVER overload the circuit**. If this electric fireplace trips the circuit breaker, unplug all other appliances on the same circuit before the next use. Avoid plugging other appliances into the same circuit as this electric fireplace.
- **NEVER** plug this electric fireplace into an outlet that is **old, cracked**, or has any **loose wires or connections**.


- **ALWAYS** check your electric fireplace cord and plug connections with **each use!**
 - MAKE SURE** the plug fits tight in the outlet! Faulty wall outlet connections or loose plugs can cause the outlet to overheat.
 - electric fireplaces draw more current** than small appliances. **Overheating** may occur even if it has not occurred with the use of other appliances.
 - During use **check frequently** to see if the **plug outlet or face plate is HOT!**
 - If the outlet or face plate is **HOT, discontinue use immediately** and have a qualified electrician inspect and/or replace the faulty outlets.



- The power cord supplied with the electric fireplace has three prongs: two flat blades (live and neutral) and one round pin (ground). If a 3-slot receptacle is not available, an adapter **MUST** be used. The adapter **MUST** be **properly grounded** to the outlet box (see figure at right). [NOTE: Adapter NOT INCLUDED.]

- **SAVE THESE INSTRUCTIONS!**

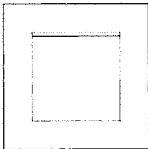


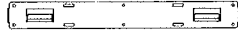

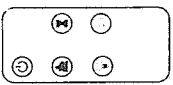
Preparation

 This product includes a **GLASS panel!** Always use **extreme caution** when handling glass. Failure to do so could result in **personal injury** or **property damage**.

Remove all parts and hardware from the carton and place them on a clean, soft, dry surface. Check the parts list to make sure nothing is missing. Dispose of packaging materials properly. Please recycle whenever possible.

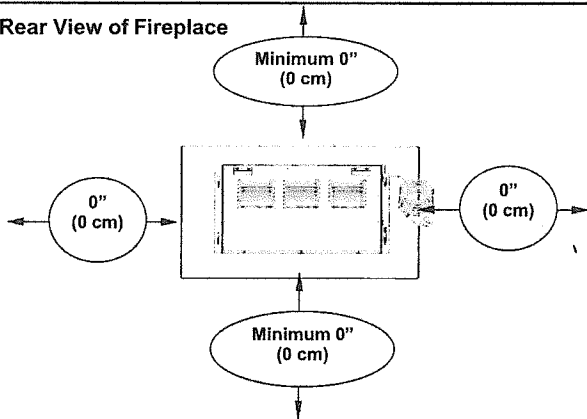
You will need the following tools (not included): Phillips screwdriver; stud finder; level; tape measure; electric drill; 1/4" wood drill bit, hammer.

Parts and Hardware

 <p>A – Fireplace (1)</p>	 <p>B – Wood Screws (3)</p>	 <p>C – Drywall anchors (3)</p>
 <p>E - Wall Bracket (1) -Fixed on the back of fireplace box</p>	 <p>D - Decorative Pebbles/Crystals</p>	 <p>RC - Remote control</p>

Wall Mounted Installation and Assembly

Rear View of Fireplace



Step 1. Find a safe location.

Minimum clearance on each side: 0" (0 cm).

Minimum clearance below: 0" (0 cm).

Minimum clearance above: 0" (0 cm).

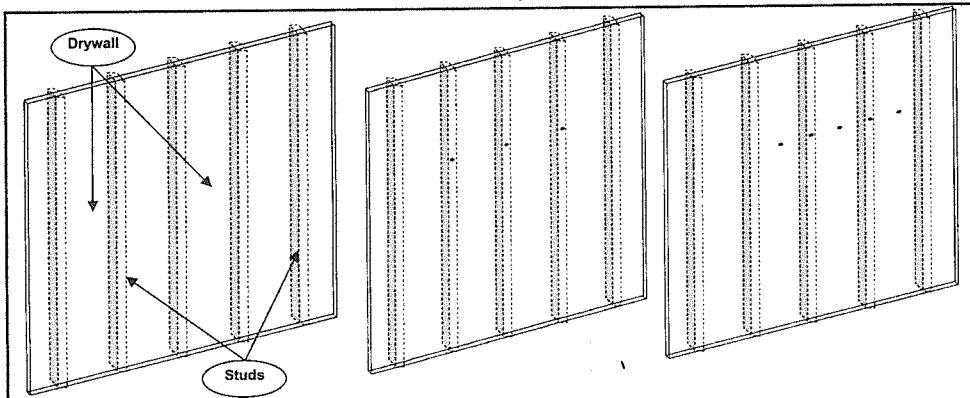
Choose a location near an outlet so an extension cord is not required.

DO NOT position the unit **directly below** a power outlet.

See **Safety Information** on pages **2 and 3** for warnings about **safe placement, safe installation, and proper use** of this product.

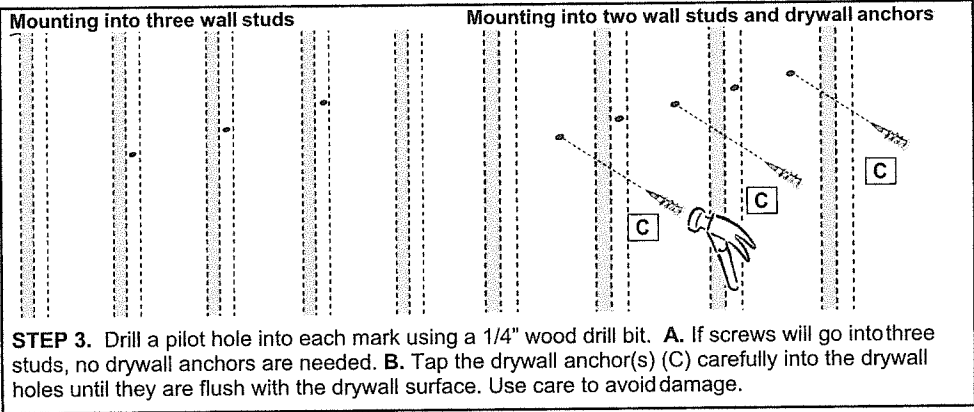
NOTICE

The wall mount fasteners included with this fireplace are for use **ONLY** with a wood-framed wall covered in drywall (sheet rock). For concrete walls, cinder blocks, or other wall types, consult a professional for the best attachment methods.

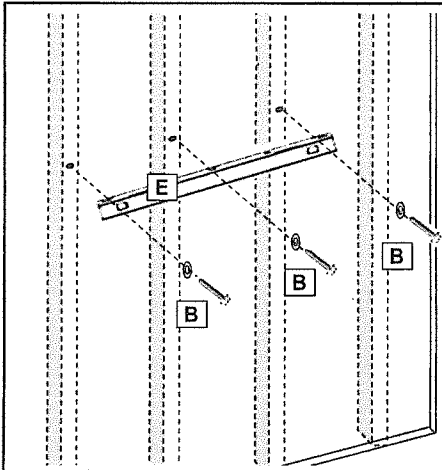


STEP 2. A. Locate the wall studs using an electronic stud-finder. Mark the hole locations with a pencil. The holes should be 8" (20.3 cm) apart, and level. The minimum height from the surface below must be 19.7" (50 cm). **B.** Three screws should be screwed directly into wall studs. Then, no drywall anchors are needed. **C.** If only two studs are available, two screws **MUST** be screwed directly into studs, and the other screws must be screwed into the drywall anchors.

AVOID INJURY and DAMAGE! Three screws should be screwed directly into wall studs. If only two studs are available, two screws must be screwed directly into the wall studs, and additional screws must also be screwed into the drywall anchors.



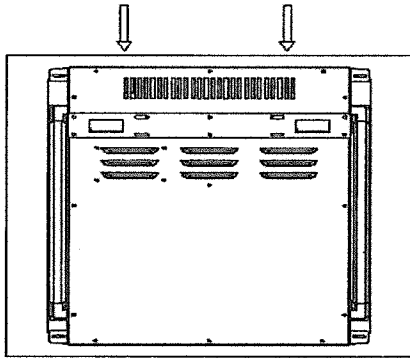
STEP 3. Drill a pilot hole into each mark using a 1/4" wood drill bit. **A.** If screws will go into three studs, no drywall anchors are needed. **B.** Tap the drywall anchor(s) (C) carefully into the drywall holes until they are flush with the drywall surface. Use care to avoid damage.



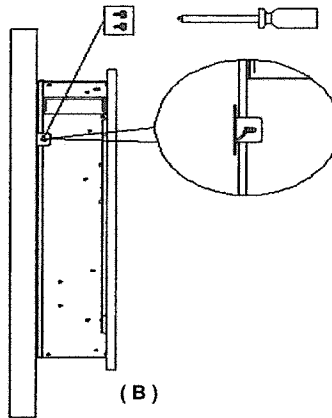
STEP 4. Take off the wall bracket from the back of fireplace box and store the screws as you will need to screw back. Align the holes in the wall bracket (E) with the pilot holes and drywall anchors. Thread wood screws (B) through washers and holes in the wall bracket, then directly into the wall studs and/or drywall anchors. Make sure bracket is level. Tighten all screws securely with a screwdriver.



ALWAYS unplug this fireplace heater before assembly or cleaning, or before relocating. Failure to do so could result in **electric shock, fire, or personal injury.**



(A)



(B)

STEP 5. A. With the help of a capable adult, lift the fireplace (A) and align the hooks on the back of the fireplace with the slots on the wall bracket. Carefully set the hooks into the slots.

B. Secure the fireplace to the wall bracket with two ST 5x10 metal screws, one on each side. Thread the screws through the fireplace and into the wall bracket side tabs. Tighten both screws with a Phillips screwdriver. The unit may now be plugged in.

IMPORTANT GLASS PANEL SAFETY INFORMATION!

WARNING

- Under no circumstances should this product be **operated with broken or chipped** glass panels.
- **Do not strike, slam** or use **blunt force** on any part of the glass.
- **Do not use abrasive** cleansers to clean the glass.
- This product uses **tempered glass**. **Replacement** of the glass supplied by the manufacturer should be done by a **qualified professional**.

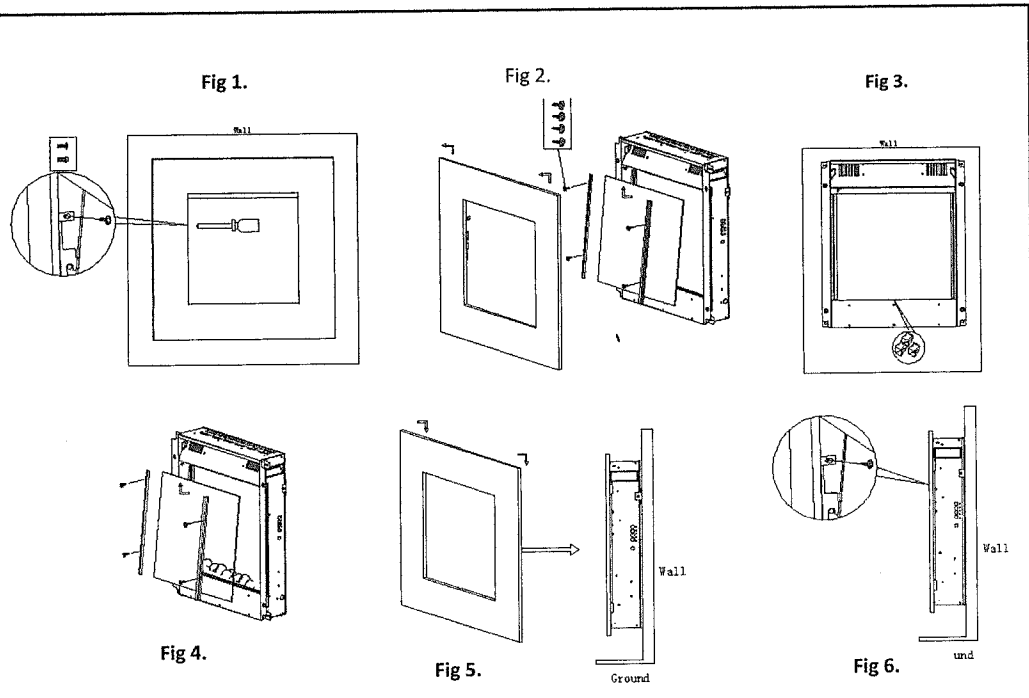


This next step involves **GLASS!** **ALWAYS** use **extreme caution** when handling glass. Failure to do so could result in **personal injury** or **property damage**.

Pebble and Crystals Medias Replacement



ALWAYS keep the decorative pebbles or crystals **OUT OF REACH OF CHILDREN!** Leave no pieces where children can find them. Failure to do so could cause a choking hazard.



- NOTE: We recommend that two capable adult perform this procedure.**
- STEP 6A.** Remove the two screws at the front sides edge of the fireplace with a Phillips (+) screwdriver. **Fig 1.**
- STEP 6B.** With screws off, move the front panel out. Then using the screw driver to take off the 4 screws (each side 2pcs). remove the two metal parts and remove the front glass panel out and set it aside on a clean soft surface.**Fig 2.**
- STEP 6C.** Place the decorative pebbles or crystals (D) on the fireplace ledge in any desired position. **Fig 3.**
- STEP 6D.** Move back glass panel and metal pressing parts , Thread the screws back into the holes and tighten them both with a Phillips screwdriver.**Fig 4**
- STEP 6E.** Move hang back front panel and Thread the screws back into the holes on sides and tighten them both with a Phillips screwdriver.**Fig 5, 6**

Operation



Read and understand this entire owner's manual, including all safety information, before plugging in or using this product. Failure to do so could result in electric shock, fire, serious injury, or death.

Power

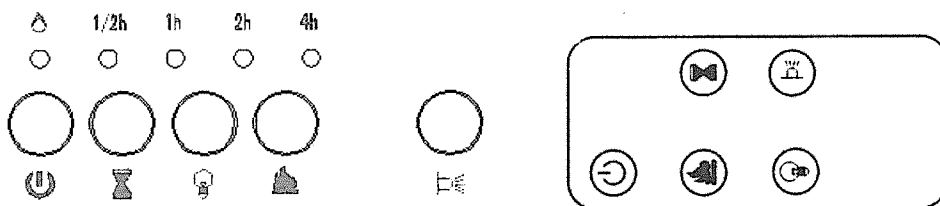
Plug the power cord into a 120 Volt 15 Amp grounded outlet (see **IMPORTANT SAFETY INFORMATION** on Pages 2 and 3). Make sure the outlet is in good condition and that the plug is not loose. **NEVER** exceed the maximum amperage for the circuit. **DO NOT** plug other appliances into the same circuit.

Methods of Operation

This electric fireplace can be operated by the CONTROL BUTTONS, located on the **RIGHT SIDE** panel of the fireplace (see figure below), or by the battery-powered REMOTE CONTROL.




The operation and functions of the two methods are the same.

Before operating, please review the **IMPORTANT SAFETY INFORMATION** on Pages 2 and 3, and heed all warnings.



Remote Control & Control Button Operation


BUTTON	FUNCTION	ACTION & INDICATION
 POWER	ON: Enables control panel functions and remote control. Turns on flame effect. OFF: Disables control panel functions and remote control. Turns off flame effect.	<ol style="list-style-type: none"> Press once. Indicator light turns on. Power turns on. All functions enabled. Press again. Flame effect turns off. Unit goes to standby. All functions turn off.
 TIMER	TIMER button: Controls timer settings to turn off fireplace at selected time. Settings range from 0.5 hours to 7.5 hours.	<ol style="list-style-type: none"> Press once. Indicator light turns on. Timer is set to 0.5 hours. Press again until desired setting is reached. Indicator lights show setting.

 FLAME	<p>FLAME button: Makes flame effect dimmer and brighter.</p> <p>NOTE: Flame effect stays on until power button is turned off. Flame effect must be on for heater to turn on.</p>	<ol style="list-style-type: none"> 1. Press once. Flame brightness effect gets changing. 2. Press again. until desired setting is reached.
 COLOR	<p>COLOR button: Makes the color flame effect changing.</p> <p>NOTE: color effect stays on until power button is turned off. Color flame effect must be on for heater to turn on.</p>	<ol style="list-style-type: none"> 1. Press once. Flame color effect gets changing. 2. Press again until desired setting is reached. In total 10 colors
 BACK LIGHT	<p>BACK LIGHT button: Makes the decorative LED back light effect changing.</p> <p>NOTE: Back light effect stays on until power button is turned off.</p>	<ol style="list-style-type: none"> 1. Press once. LED back lights color effect gets changing. 2. Press again until desired setting is reached. total 13 colors.

NOTICE To improve operation, aim the remote control at the remote receiver, and **DO NOT** press the buttons too quickly. Give the unit time to respond to each command.


Remote Control Battery Information


- This remote control uses one **CR-2025 battery** (included).
- Instructions for battery installation are on the Remote Control battery compartment.

 **NEVER** dispose of batteries in **Fire**. Failure to observe this precaution **may result in an explosion**. Dispose of batteries at your local hazardous material processing center.

Care and Maintenance

Cleaning

 **ALWAYS** turn the heater **OFF** and **unplug the power cord from the outlet** before cleaning, performing maintenance, or moving this fireplace. Failure to do so could result in **electric shock, fire, or personal injury**.

 **NEVER** immerse in **water** or **spray with water**. Doing so could result in **electric shock, fire, or personal injury**.

Metal:

- Buff using a soft cloth, slightly dampened with a citrus oil-based product.
- **DO NOT** use brass polish or household cleaners as these products will damage the metal trim.

Glass:

- Use a good quality glass cleaner sprayed onto the cloth or towel. Dry thoroughly with a paper towel or lint-free cloth.
- **NEVER** use abrasive cleansers, liquid sprays, or any cleaner that could scratch the surface.

Vents:

- Use a vacuum or duster to remove dust and dirt from the heater and vent areas.

Plastic:

- Wipe gently with a slightly damp cloth and a mild solution of dish soap and warm water.
- **NEVER** use abrasive cleansers, liquid sprays, or any cleaner that could scratch the surface.

Maintenance

Risk of electric shock! DO NOT OPEN any panels other than the bulb replacement plate! No user-serviceable parts inside!



ALWAYS turn the heater **OFF** and **unplug the power cord from the outlet** before cleaning, performing maintenance, or moving this fireplace. Failure to do so could result in **electric shock, fire, or personal injury.**

Electrical and Moving Parts:

- The fan motors are lubricated at the factory and will not require lubrication.
- Electrical components are integrated in the fireplace and are not serviceable by the consumer.

Storage:

Store heater in a clean dry place when not in use.

Troubleshooting

WARNING

DISCONNECT THE APPLIANCE COMPLETELY AND LET COOL PRIOR TO ANY SERVICE. ONLY A QUALIFIED SERVICE PERSON SHOULD SERVICE AND REPAIR THIS ELECTRIC APPLIANCE.

Problem	Possible Cause	Solution
1. Flame is not moving.	1. Loose wiring. 2. Flame motor defective. 3. Flame rod out of place	1. Inspect wiring for loose connections. 2. Call a qualified service technician to replace flame motor. 3. "Flame Rod" out of place due to rough transit/handling of the product. This issue can be corrected as simple as removing the glass, flipping the fireplace upside down, removing a set of screws that are holding the bottom frame plate and placing the flame rod back into place.
2. Flame is not visible.	1. Wiring is loose.	1. Disconnect from power source and inspect wiring for loose connections and repair or replace as necessary. 2. Push the flame button to high position.
3. Log set is not glowing.	1. Wiring is loose. 2. Ember is in off mode	1. Disconnect from power source and inspect wiring for loose connections and repair or replace if necessary. 2. Push the ember button to high position.
4. Remote control does not work.	1. Low batteries. 2. Not aiming control correctly. 3. Defective remote control and/or sensor.	1. Replace batteries in remote control. 2. Aim control at sensor located directly behind glass screen in center of unit just above logs. 3. Replace remote control and/or sensor.
5. Fireplace will not turn on when switch is flipped to ON.	1. Fireplace is not plugged in to an electrical outlet. 2. Control failure. 3. Breaker tripped.	1. Check plug. 2. Call a qualified service technician. 3. Reset breaker.