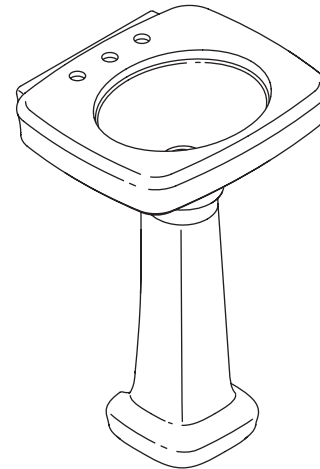


PEDESTAL LAVATORY K-2338

Features

- Vitreous china
- Pedestal lavatory
- 8" (20.3 cm) centers (-8), 4" (10.2 cm) centers (-4), or single-hole (-1)
- With overflow
- 24" (61 cm) x 21" (53.3 cm) x 35-1/4" (89.5 cm)



Codes/Standards Applicable

Specified model meets or exceeds the following:

- ASME A112.19.2/CSA B45.1

Colors/Finishes

- 0: White
- Other: Refer to Price Book for additional colors/finishes

Accessories

- CP: Polished Chrome
- Other: Refer to Price Book for additional colors/finishes

Specified Model

Model	Description	Colors/Finishes	
K-2338-8	8" (20.3 cm) centers pedestal lavatory	<input type="checkbox"/> 0	<input type="checkbox"/> Other _____
K-2338-4	4" (10.2 cm) centers pedestal lavatory	<input type="checkbox"/> 0	<input type="checkbox"/> Other _____
K-2338-1	Single-hole pedestal lavatory	<input type="checkbox"/> 0	<input type="checkbox"/> Other _____
Recommended Accessories			
K-7605-P	Lavatory supplies 3/8" (pair)	<input type="checkbox"/> CP	<input type="checkbox"/> Other _____
K-8998	Trap	<input type="checkbox"/> CP	<input type="checkbox"/> Other _____

Product Specification

The pedestal lavatory shall be 24" (61 cm) in length, 21" (53.3 cm) in width, and 35-1/4" (89.5 cm) in height. Pedestal lavatory shall be made of vitreous china. Pedestal lavatory shall have 8" (20.3 cm) centers (-8), 4" (10.2 cm) centers (-4), or single-hole (-1) drilling. Pedestal lavatory shall have overflow. Pedestal lavatory shall be Kohler Model K-2338-_____.

BANCROFT®

Technical Information

Fixture:		basin area	water depth
Lavatory		17-1/8" (43.5 cm) x 13-15/16" (35.4 cm)	5" (12.7 cm)
Outlet	1-3/4" D. (4.4 cm)		

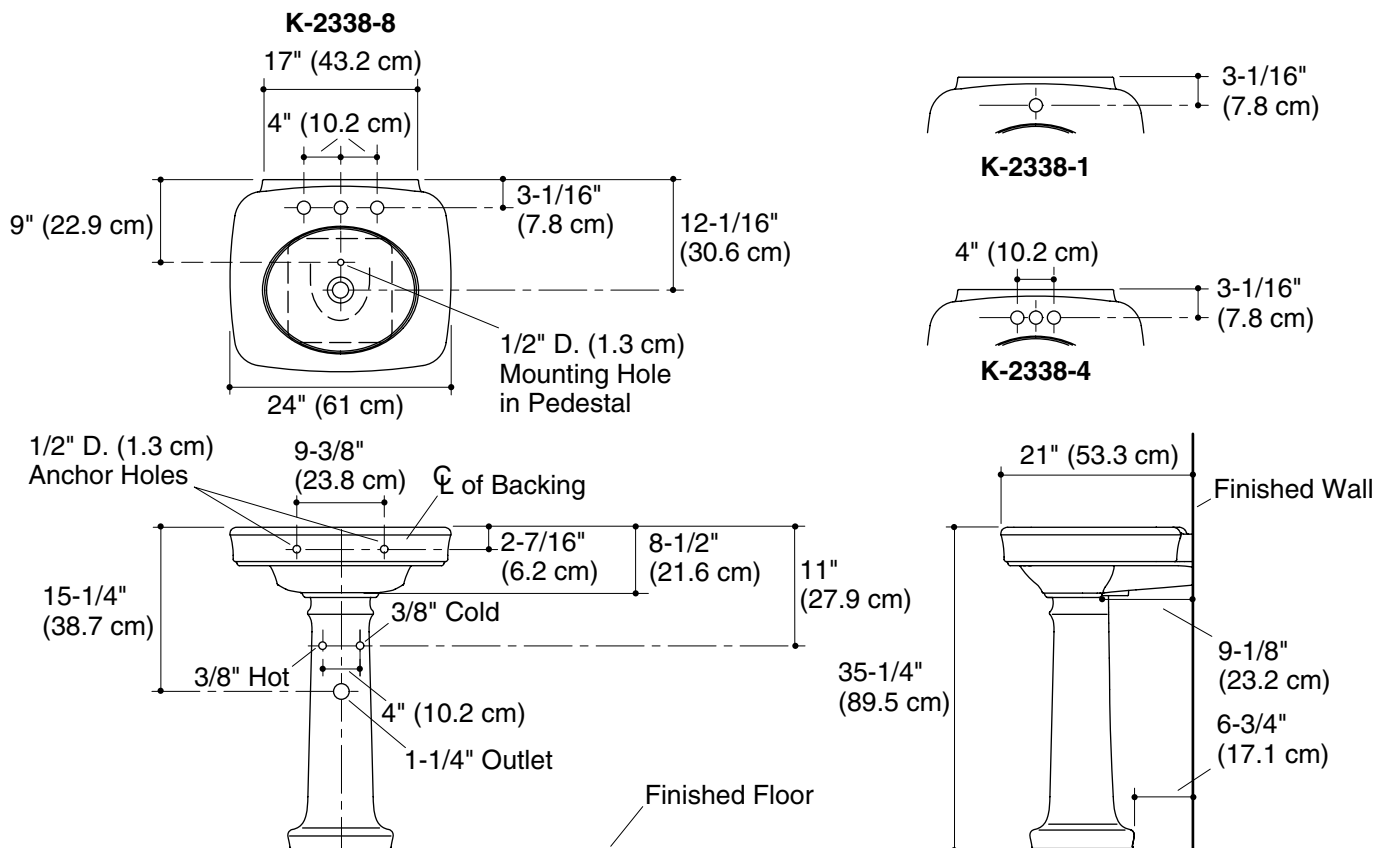
Holes	K-2338-8	K-2338-4	K-2338-1
Spout	1-3/8" D. (3.5 cm)	1-1/4" D. (3.2 cm)	1-3/8" D. (3.5 cm)
Faucet	1-3/8" D. (3.5 cm)	1-1/4" D. (3.2 cm)	

Included components:

Lavatory basin, single-hole	K-2340-1
Lavatory basin, 4" (10.2 cm) centers	K-2340-4
Lavatory basin, 8" (20.3 cm) centers	K-2340-8
Pedestal	K-2346
Pedestal accessory pack	52204
Rubber pads	63069

Installation Notes

Install this product according to the installation guide.



Product Diagram