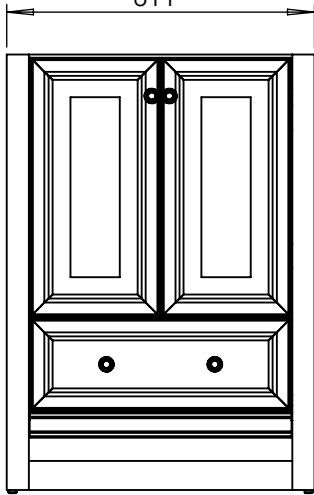


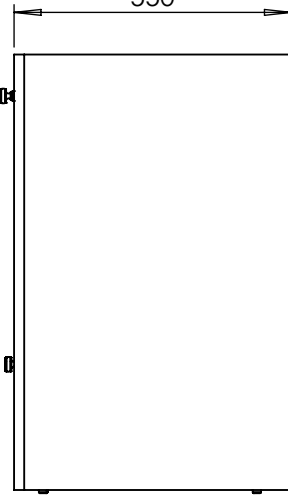
Top view

[24.06]
611



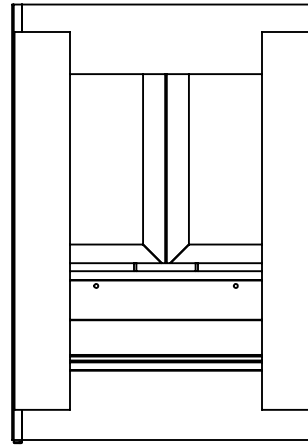
Front view

[21.65]
550

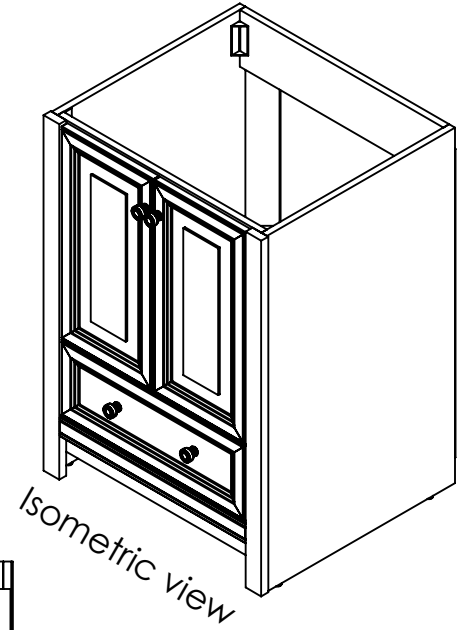


Side view

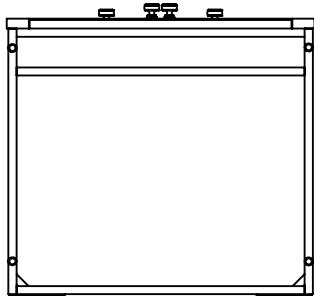
[34.02]
864



Back view



Isometric view

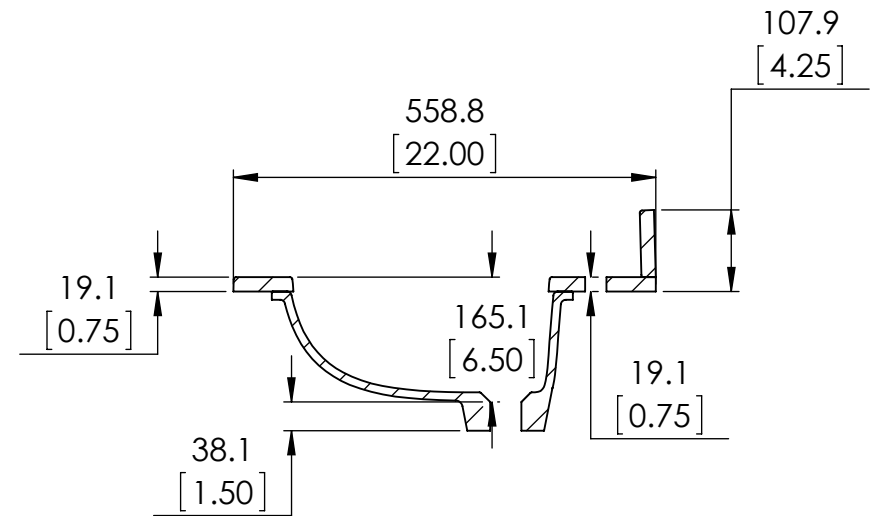
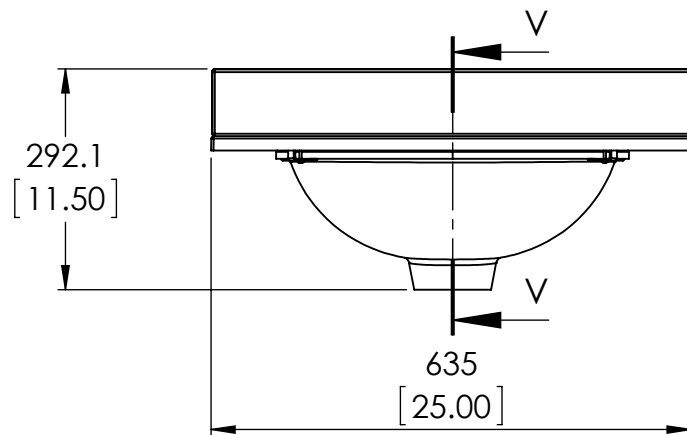
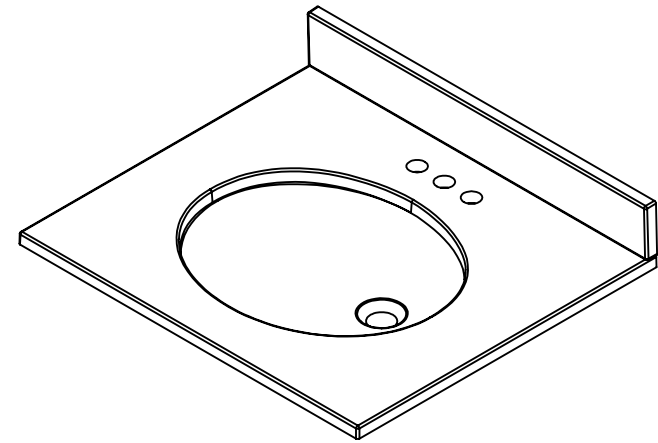
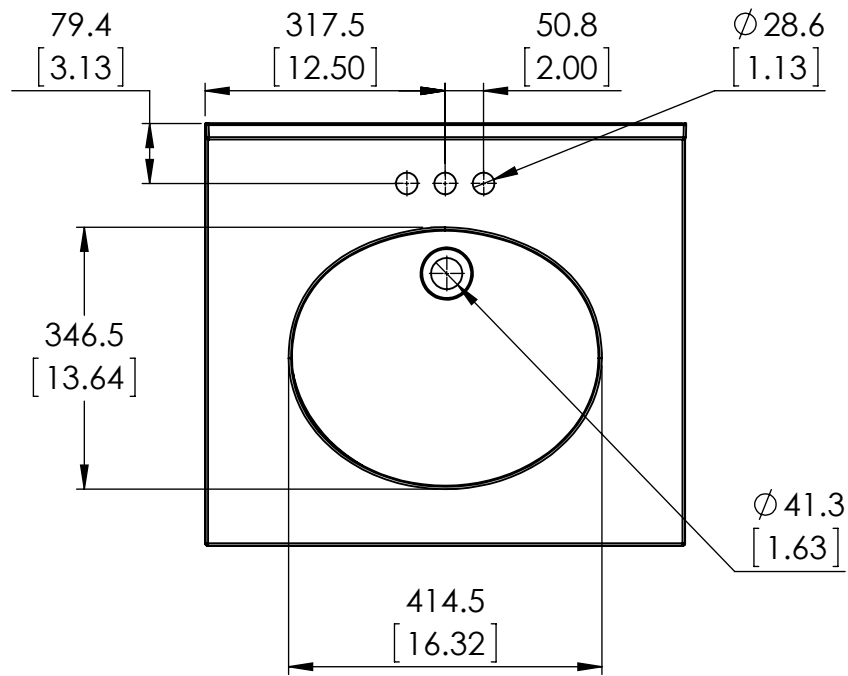


Bottom view

DWR	AEP	10/21/19
REV	ING	10/21/19
APR	R&D	10/21/19

PROJECT:		Shark tank 24in
ITEM:	-	REV A
NAME:		Brinkhill 24in
MATERIAL:	German beech 4/4 Particle board	

REV	CHANGE	DATE	APPROVAL
0	Released	11/25/19	E. SANDOVAL



PROPRIETARY AND CONFIDENTIAL
 THE INFORMATION CONTAINED IN THIS DRAWING IS THE SOLE PROPERTY OF WOODCRAFTERS. ANY REPRODUCTION IN PART OR AS A WHOLE WITHOUT THE WRITTEN PERMISSION OF WOODCRAFTERS IS PROHIBITED.

UNLESS OTHERWISE SPECIFIED
 DIMENSIONS ARE IN MM. AND [INCHES]
 TOLERANCES ARE
 + 3.175 [0.125] - 3.175 [0.125]
 SCALE: 1:10

	NAME	DATE
DRAWN	O. Razo	11/25/2019
CHECKED	E. Sandoval	11/25/2019
ENG APPR.	W. Amaya	11/25/2019
MFG APPR.	A. Casiano	11/25/2019



SIZE DWG. NO.


A

SHEET 1 OF 2

FG

ITEM TYPE	ITEM ID	ITEM DESCRIPTION	DRAWING STATUS
FG	SE25O-CO	Vtop SE Oval 25x22 Cold Fusion 4in	Approved for production
FG	SE25O-DN	Vtop SE Oval 25x22 Dune 4in	Approved for production
FG	SE25O-MG	Vtop SE Oval 25x22 Mineral Gray 4in	Approved for production
FG	SE25O-PR	Vtop SE Oval 25x22 Pulsar 4in	Approved for production
FG	SE25O-WM	Vtop SE Oval 25x22 Winter Mist 4in	Approved for production
FG	SE25O-RU	Vtop SE Oval 25x22 Rustic Gold 4in	Approved for production

REV	CHANGE	DATE	APPROVAL
0	Released	11/25/19	E. SANDOVAL

PROPRIETARY AND CONFIDENTIAL THE INFORMATION CONTAINED IN THIS DRAWING IS THE SOLE PROPERTY OF WOODCRAFTERS. ANY REPRODUCTION IN PART OR AS A WHOLE WITHOUT THE WRITTEN PERMISSION OF WOODCRAFTERS IS PROHIBITED.	UNLESS OTHERWISE SPECIFIED DIMENSIONS ARE IN MM. AND [INCHES] TOLERANCES ARE + 3.175 [.125] - 3.175 [0.125] SCALE:1:10		NAME	DATE	 SIZE DWG. NO. SHEET 2 OF 2
		DRAWN	O. Razo	11/25/2019	
		CHECKED	E. Sandoval	11/25/2019	
		ENG APPR.	W. Amaya	11/25/2019	
		MFG APPR.	A. Casiano	11/25/2019	A

FG