

Measures: inch [millimeter]

INSTALLATION MANUAL

- Carefully read the instructions before starting the installation.
 - This smart toilet seat should be installed by an experienced plumber.
- If you are missing any part, please stop and contact us immediately at:
1-866-839-2888**

CONTENT

SAFETY NOTICE	p.3
WARNINGS	p.4
PART LIST	p.5
TOILET SEAT COMPATIBILITY.....	p.6
INSTALLATION INSTRUCTIONS	p.7-8
FIRST TIME USE	p.9
CONTROLS DESCRIPTION	p.10-12
FEATURES	p.13
INTELLIGENT FEATURES	p.14
CLEANING THE FILTER	p.15
LONG TERM STORAGE	p.16
SPECIFICATION SHEET	p.17
MAINTENANCE & CONSUMER RESPONSIBILITIES	p.18
LIMITED 1 YEAR WARRANTY	p.18
INFORMATION ABOUT YOUR WARRANTY COVERAGE	p.18
NOTES ON WARRANTY	p.18
FOR WARRANTY SERVICE	p.18
INSTALLATION PICTURE	p.19
CONTACT US	p.20

SAFETY NOTICE

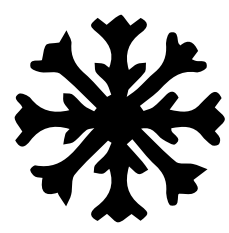
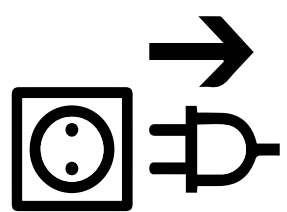
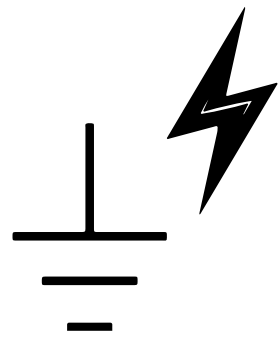
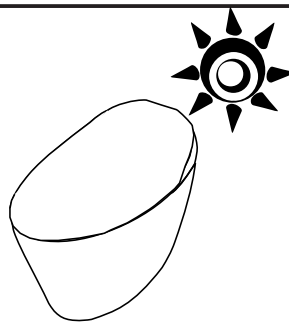


ATTENTION!
BEFORE INSTALLING THE PRODUCT, YOU MUST READ AND UNDERSTAND CAREFULLY ALL BELOW WARNINGS.

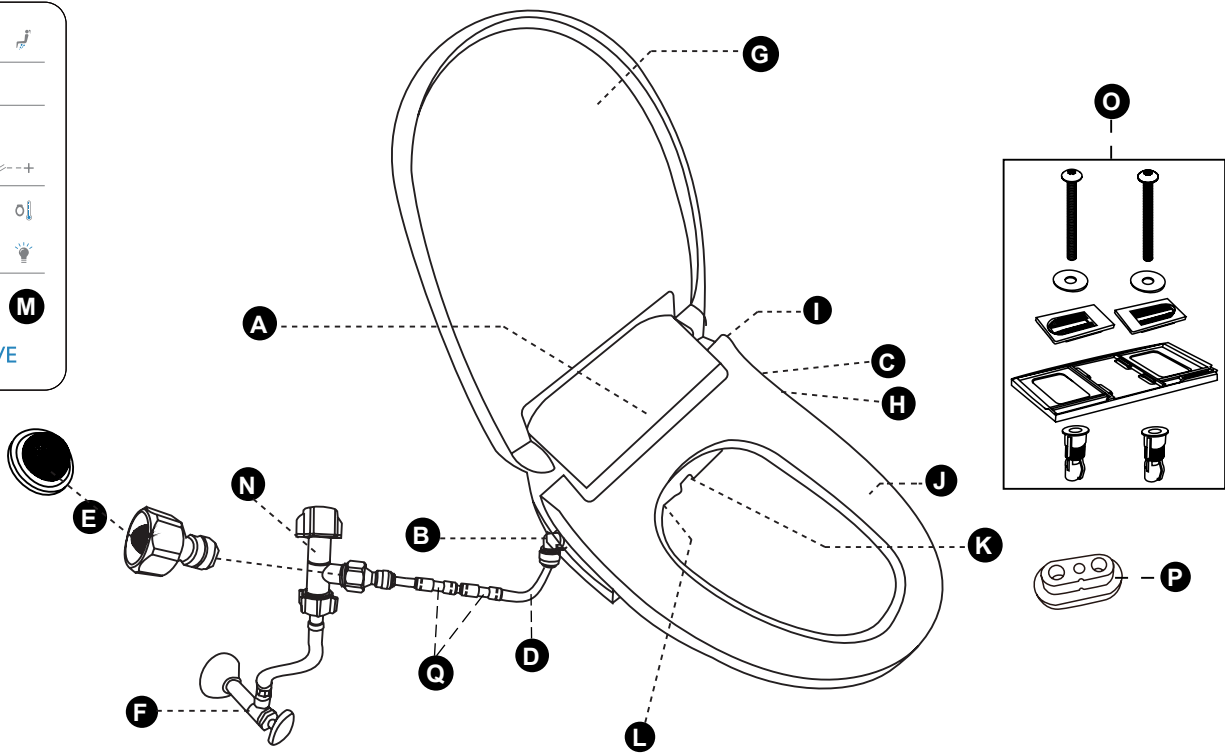
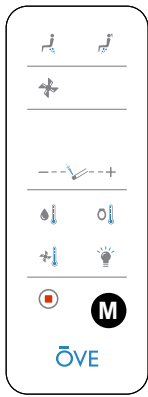
1. It is forbidden to disassemble toilet by yourself.
2. Please do not set this product in a wet place, because it is an electronic product. If set in the bathroom, please insure that there is proper air flow.
3. Please insure that the product is set more than 0.6 meter away from the bathtub.
4. Please make sure electric power is AC 120V. Ensure the electrical socket can bare a load of 1800W power (or else it can cause fire or electrical shock).
5. Please make sure the electrical source is well grounded.
6. Please do not put any water or detergent on the product or its electrical plug.
7. Do not touch the electrical plug with a wet hand (or else it can cause fire or electric shock).
8. Do not use the product if it has these following problems. When any of the following problems occur, turn off the electricity and close the water valve.
 - Water leaking from the pipe or the main body.
 - Crack or breakage
 - Abnormal sound or smell of the product
 - Smoke coming out from the product
9. Keep any flame or flammable products away from the toilet.
10. Please do not step on the toilet seat, the seat cover, the main body, or put anything heavy on the product. Otherwise, the product may break and may cause injury or the product may break and may cause indoor flooding.
11. Please do not put your finger or anything else into the outlet of the drying blower.
12. Please do not touch or cover the drying blower outlet with clothes, or it may lead to burn injury or electric shock.
13. Please do not tightly bend or press the flexible supply hose, or it may lead to water leakage or it may decrease the water pressure.
14. Please clean the product with soft cleaning products.
15. Please do not use any harsh detergents to clean the product.
16. Please do not throw anything other than toilet paper into the toilet or it may lead to blockage and indoor flooding.
17. Please be careful to not let objects like a comb, toothbrush or other stuff fall into the toilet.

WARNINGS

<p>Do not leave the toilet exposed to the sun. May cause yellowing or color fading.</p> <p>Direct sunlight affects the good functioning of the remote.</p>	<p>To prevent against power surge damages, make sure the ground is working in the power socket.</p>
<p>Radio or transmitting devices may interfere with the toilet's remote control functions</p>	<p>If you do not plan to use the toilet for a long time, close the inlet water valve and unplug the toilet.</p>
<p>If the power cut off during washing and the nozzle is still out: Do not push it back manually, it will revert to its resting position once the power is back ON.</p>	<p>Do not use DC current. Only AC 120V with load capacity over 1800W are accepted.</p>
<p>If power cuts off during nozzle self-cleaning, the water will continue to flow out. Manually close the inlet water valve of the toilet until power comes back ON.</p>	<p>Do not expose the toilet to freezing temperature. This will void the warranty and damage the piping.</p>
<p>Be careful not to spill water on the top of the toilet: Electronics are located under the plastic cover.</p>	<p>Do not lean on the cover.</p>



PART LIST



	Item	Qty	#
A	Light Indicator Panel	1	
B	Water Inlet	1	--
C	Side Control Panel	1	
D	Seat Water Tube	1	
E	Water Filter	1	
F	Inlet Valve (not supplied)	1	--
G	Smart Seat (incl. electronics, cover, seat and lid) Smart Seat (incl. cover, seat and lid)	1	
H	Remote Receiver	1	
I	Mounting plate release button	1	--
J	Sensor	1	
K	Nozzle	1	
L	Dryer outlet	1	
M	Remote	1	
N	Tee joint	1	
O	Mounting plate installation kit	1	
P	Thicker seat rim bumper	1	
Q	Check valve	2	

TOILET SEAT COMPATIBILITY

1

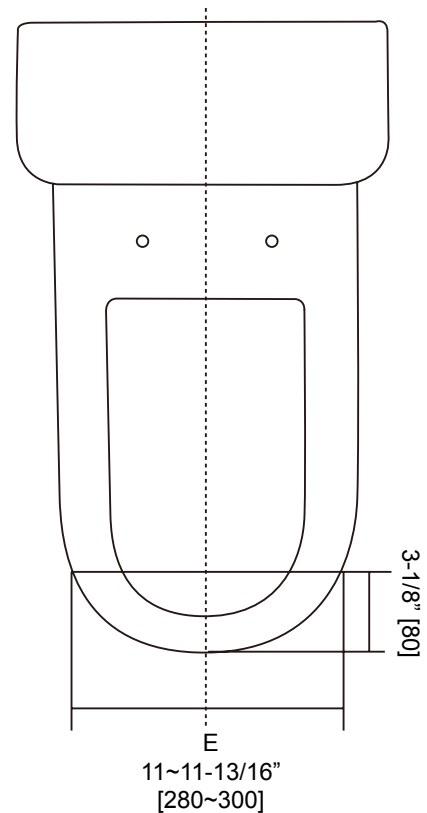
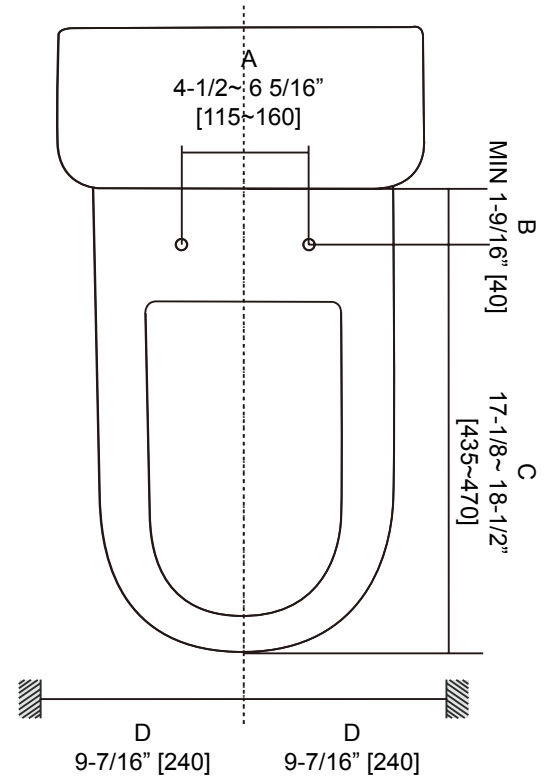
TO ENSURE THAT THE SMART SEAT IS COMPATIBLE WITH YOUR EXISTING TOILET BOWL:

- A) Ensure that the distance between the centers of seat installation holes is in the range given by "A".
- B) Ensure that there is a clearance of at least "B" between the center of the seat installation holes and the front of the flush tank.
- C) Ensure that the distance between the center of the seat installation holes and the front edge of the toilet bowl is in the range given by "C".
- D) Ensure that there is a clearance of at least "D" between the center of the toilet and the nearest wall on both sides.

TO YIELD A PERFECT FIT:

This smart seat is compatible with most elongated toilet bowls, as long as conditions A) to D) above are met. Nevertheless, to yield a nicely matching seat and bowl:

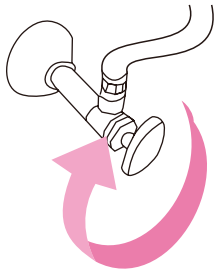
- E) Measure the width of the toilet bowl at 3-1/8" (80mm) from the front edge, and ensure that the width of the toilet bowl at this location is in the range "E". This will ensure a perfect match between the shapes of the smart seat and the toilet bowl.



Measures: inch [millimeter]

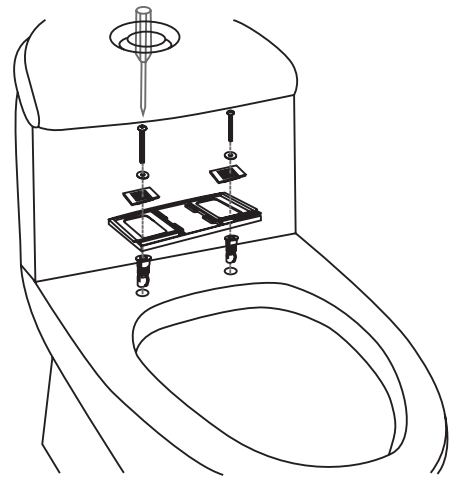
INSTALLATION INSTRUCTIONS

1



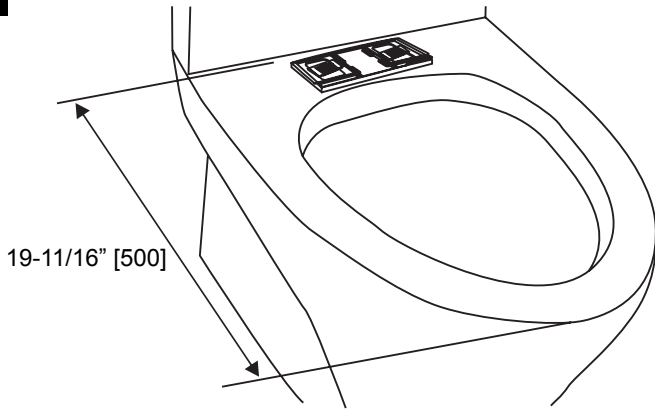
1. Turn off the water inlet valve before starting the installation of the smart toilet seat.
2. Only plug the smart seat to the electrical socket once the installation is completely finished.

2



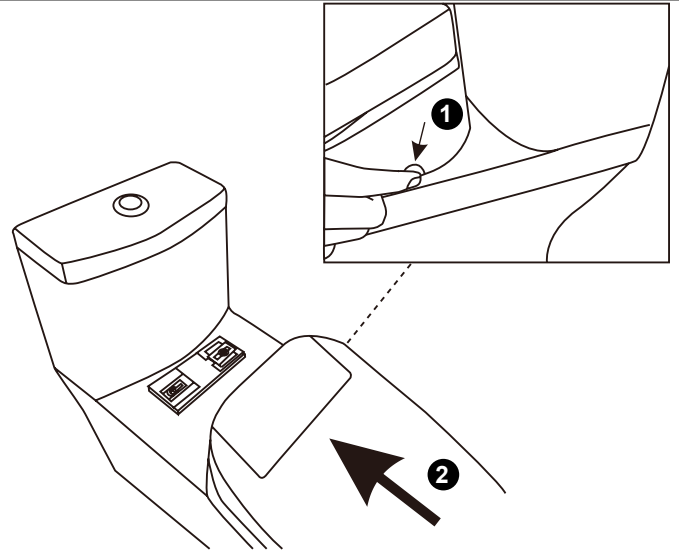
Loosely install the mounting plate with the plastic anchors, washers, and guides provided.

3



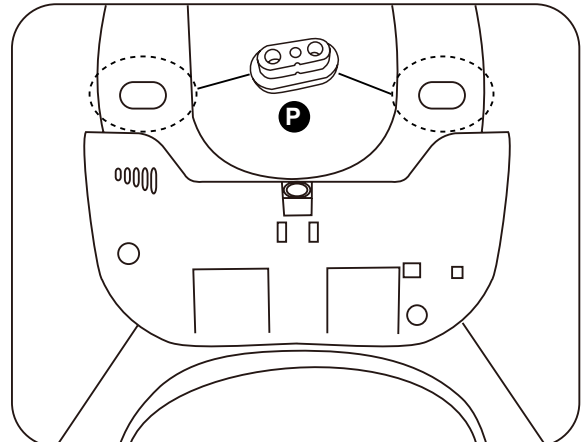
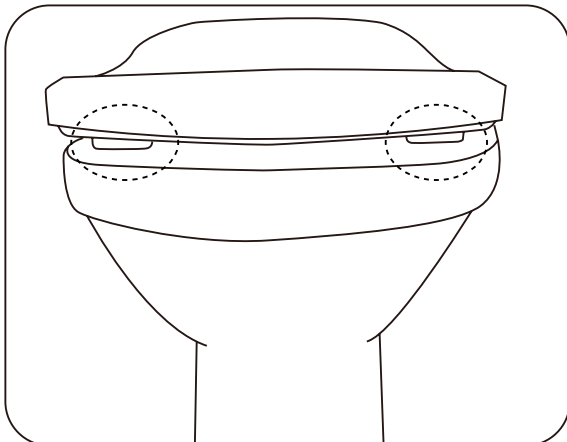
Before tightening the mounting plate, ensure that the distance between the back of plate and front edge of the toilet bowl is set to 19-11/16" (500mm). Then tightly secure the plate.

4



Press the release button located on the left of the seat and push the seat onto the mounting plate. Once the seat is snugly fitted onto the mounting plate, release the button and the seat will be locked in place.

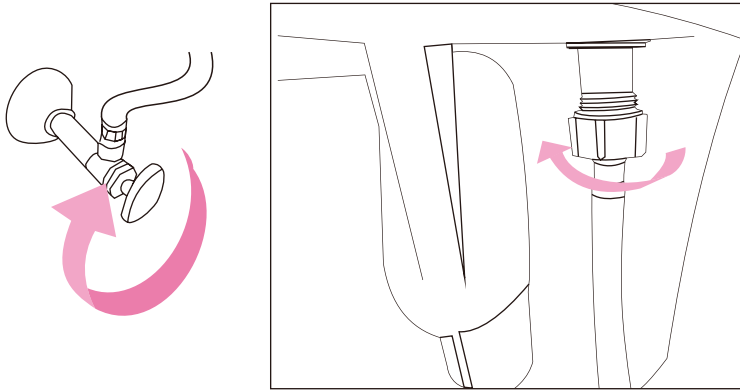
5



If the provided seat rim bumpers do not touch your toilet bowl edge and there is a gap in between the two, change the pre-installed seat rim bumpers to the thicker ones provided (P).

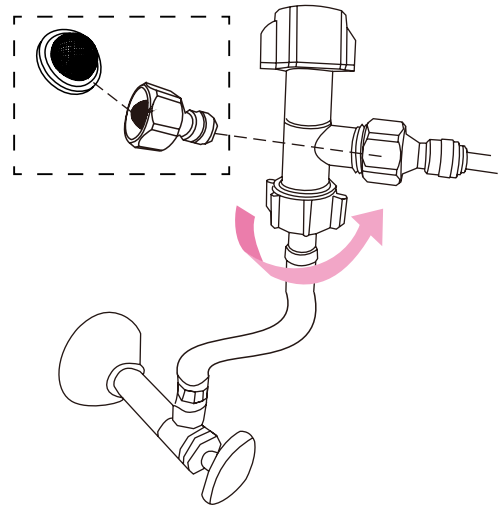
INSTALLATION INSTRUCTIONS

6



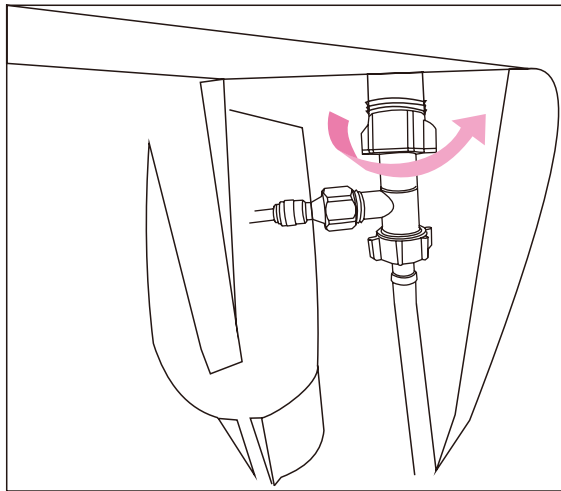
Turn off the inlet valve, and unscrew the supply hose from the toilet.

7



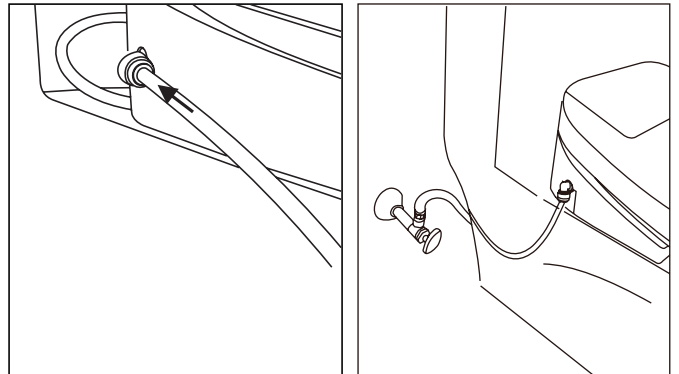
Screw the water supply hose to the Tee joint. Note that the filter is located in the reducer.

8



Screw the Tee joint to the toilet water inlet coupling.

9



Connect the water tube to the smart seat. This is a pressure snap-in system, gently but firmly push the tube inside the hole.

FIRST TIME USE

1

Open the water supply inlet valve.

2

Plug the toilet in the power socket.

3

The toilet's blue light will start blinking.

The blinking light indicates that the wash tank is filling with water, a sensor in the toilet will stop the filling process automatically after around 3 minutes when the tank is full of water.

After the wash tank is filled with water, the indicator light will stop blinking.

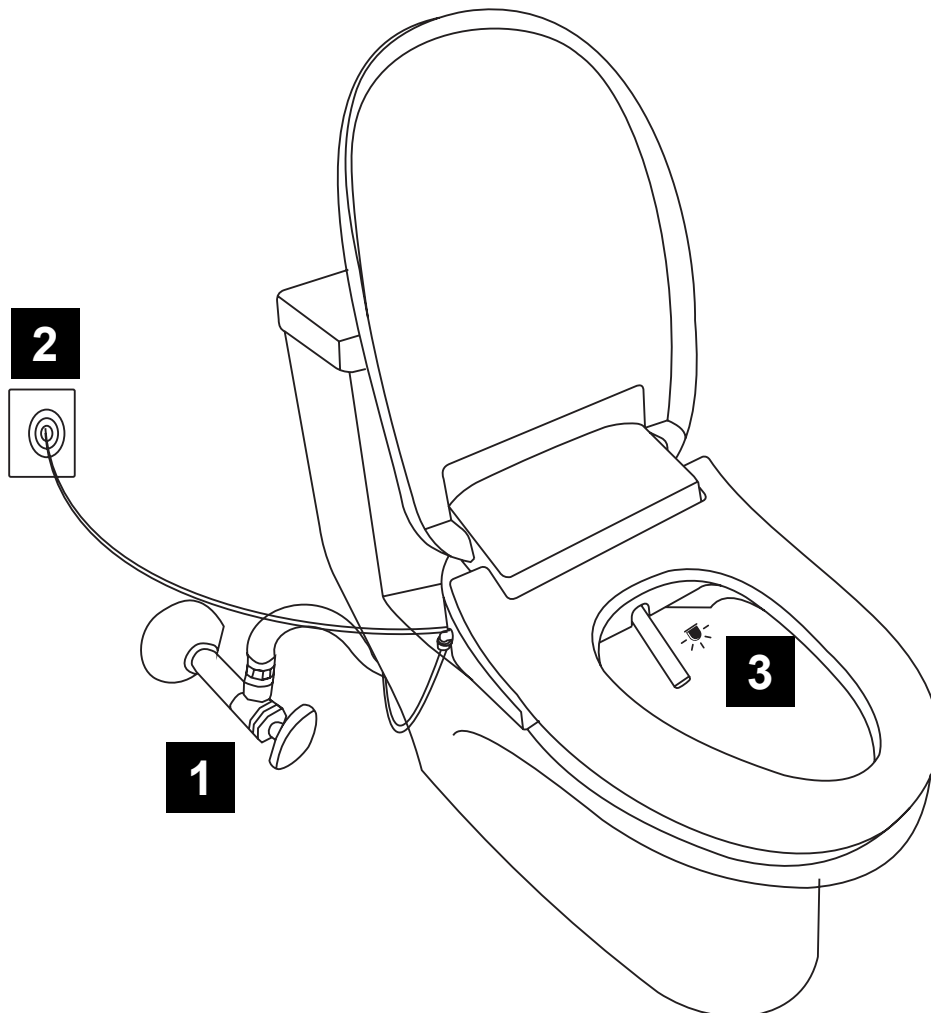
4

The toilet will turn ON automatically. Once the beeping sounds and the flashing light have stopped, the toilet is ready for use.



Notice:

- Warming up the toilet seat will take about 3 minutes.
- Warming up the bidet cleaning water will take about 3 min.
- Leave the power continuously ON to assure all functions are ready for anytime use.



CONTROLS DESCRIPTION



POWER/ECO:

Press 1 time, it will turn the toilet ON.
Press 2 times, it will activate the ECO MODE.
Press 3 times, it will turn the toilet OFF.



REAR BIDET/MOVE & MANUAL NOZZLE WASH:

Pressing this button will initiate the Static Rear Bidet Cleaning function.
*The REAR BIDET refers the 1 water jet function of the nozzle.



LADY BIDET/MOVE:

Pressing this button will initiate the Static Lady Bidet Cleaning function.
*The LADY BIDET refers the 5 water jets function of the nozzle.



DRYING/DEGERMING:

When user sitting on the toilet, pressing this button will initiate the drying function. Pressing again can change the air drying speed.
*The drying refers 2 drying speed.



STOP:

Pressing this button will stop any ongoing function.

LIGHT INDICATOR PANEL



POWER indicator:

The light will turn RED when the toilet is powered ON.
The light will turn off when the toilet is powered OFF.



ECO MODE indicator:

The light will turn YELLOW when the ECO MODE is active.
The light will turn off when the ECO MODE is not active.



WATER TEMP indicator:

Below are the different colors the light takes depending on the current setting:

ROOM TEMP = Light OFF
LOW = GREEN
MEDIUM = ORANGE
HIGH = RED



SEAT TEMP indicator:

Below are the different colors the light takes depending on the current setting:

ROOM TEMP = Light OFF
LOW = GREEN
MEDIUM = ORANGE
HIGH = RED



BEEPING SOUNDS DIRECTIONS

1X BEEP = The toilet will give out one beeping sound every time it successfully receives a command from the Remote Control.

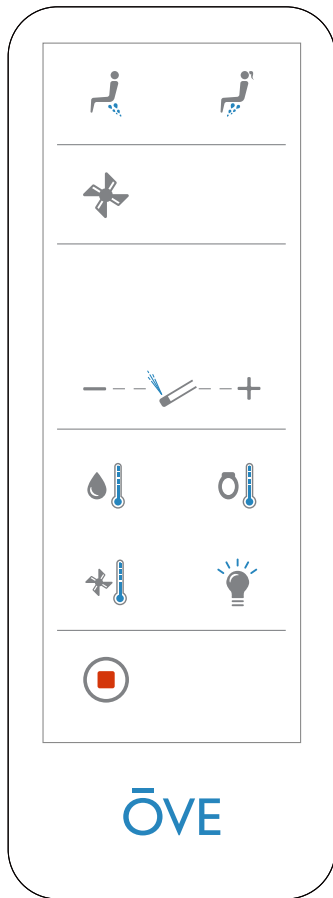
2x BEEP = The toilet will give out two beeping sounds every time it has successfully received a command, but cannot execute it. For example, if the Seat Sensor is not active and the user presses the REAR BIDET/MOVE button, the toilet will beep two times because the bidet function cannot be active if the seat sensor is not active.

BEEPING for Temperature levels:

While adjusting the temperature for the bidet water, the seat or the drying air, the toilet will beep as follow to indicate which temperature has just been set:

- ROOM TEMP = 1x long beep
- LOW = 1 x short beep
- MEDIUM = 2 x beep
- HIGH = 3 x beep

CONTROLS DESCRIPTION



REAR BIDET/MOVE:

Pressing this button will initiate the Static Rear Bidet Cleaning function.
**The REAR BIDET refers the 1 water jet function of the nozzle.*



LADY BIDET/MOVE:

Pressing this button will initiate the Static Lady Bidet Cleaning function.
**The LADY BIDET refers the 5 water jets function of the nozzle.*



DRYING:

Pressing this button will initiate the warm air drying.
 Pressing again can change the air drying speed.
**The drying refers 2 drying speed.*



WATER PRESSURE DOWN:

Pressing this button during the Static or the Back-&-Forth Bidet cleaning will decrease the water jet pressure.
8 settings: 8 increments from high to low.



WATER PRESSURE UP:

Pressing this button during the Static or the Back-&-Forth Bidet cleaning will increase the water jet pressure.
8 settings: 8 increments from low to high.



WATER TEMPERATURE:

Pressing this button will cycle through the 4 possible temperatures settings for the Bidet cleaning water jets.
4 settings: Room temp / Low / Medium / High



SEAT TEMPERATURE:

Pressing on this button will cycle through the 4 possible temperatures settings for the seat heating.
4 settings: Room temp / Low / Medium / High



AIR TEMP:

Pressing this button will cycle through the 4 possible temperatures settings for the air drying function.
4 settings: Room temp / Low / Medium / High

CONTROLS DESCRIPTION

**LIGHT:**

Pressing this button will turn the toilet bowl's light ON / OFF.

**STOP:**

Pressing this button will stop any ongoing function.

**BEEPING SOUNDS DIRECTIONS**

1X BEEP = The toilet will give out one beeping sound every time it successfully receives a command from the Remote Control.

2x BEEP = The toilet will give out two beeping sounds every time it has successfully received a command, but cannot execute it. For example, if the Seat Sensor is not active and the user presses the REAR BIDET/MOVE button, the toilet will beep two times because the bidet function cannot be active if the Seat Sensor is not active.

FEATURES



REAR BIDET CLEANING (1 WATER JET)

This function will only work if the user is sitting on the toilet. Press the REAR BIDET/MOVE button for a rear bidet cleaning. Water will spray and clean the user. You can use this key stroke to get the best cleaning effect.



LADY BIDET CLEANING (5 JETS OF WATER)

This function will only work if the user is sitting on the toilet. Press the LADY BIDET/MOVE button for a lady bidet cleaning. Water will spray and clean the user. You can use this key stroke to get the best cleaning effect.

If you are not seated on the toilet seat, the toilet seat sensors will prevent water from squirting out of the nozzle or warm air from flowing out of the dryer.



The nozzle washes itself before and after every use with the programmed automatic nozzle washing cycle.

The bidet function will automatically stop after 2 minutes of continuous use. To start it again press the button.

It will take about 10 seconds after pressing the REAR BIDET/MOVE or LADY BIDET/MOVE button before water starts to spray out of the nozzle. Please be patient.



AIR DRYING

This function will only work if the user is sitting on the toilet. Press the DRYING button for air drying. The air will dry the user. Press the button again and the air nozzle will move back & forth to insure driest result. You can use this key stroke to get the best drying effect.



If you press the DRYING key while the toilet is flushing, you will need to wait about 10 seconds before the air starts to flow out of the dryer.



STOP

Pressing the stop button at any time will automatically stop any functions.



The toilet will keep spraying for 1-2 seconds after you stand up, so be sure to press the STOP button before standing up from the toilet seat, during the cleaning process.



LIGHT

Pressing the LIGHT button on the remote control board will turn ON the toilet's light, pressing the button again will turn it OFF.

INTELLIGENT FEATURES

ECO MODE

ECO MODE will cut down the electricity usage of your intelligent toilet during times of none-usage. The cleaning water tank will start heating the water only once the user is sitting on the toilet, whereas in normal mode, the cleaning water is kept to your preferences for your instant enjoyment.



SOFT CLOSE DESIGN

The toilet seat and seat cover have a soundless soft close design that prevents them from falling rapidly and denting or scratching the toilet.



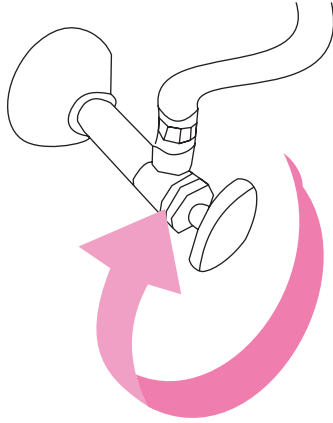
ANTI-MICROBIAL SEAT

The toilet's seat is coated with an eco-friendly anti-microbial polymer preventing the growth of any microbe on the seat. Clean by design, for your piece of mind.

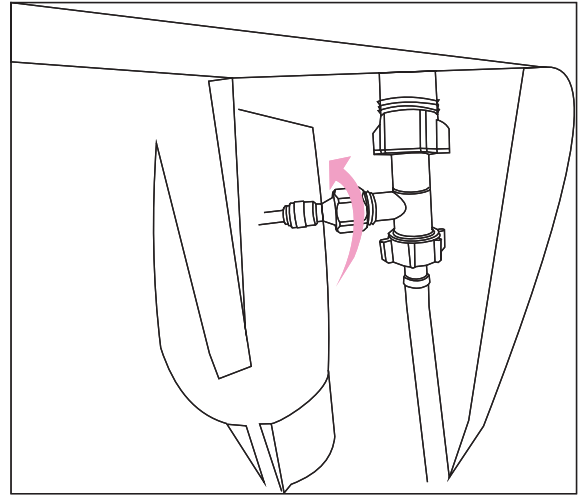


CLEANING THE FILTER

- 1** Close the inlet valve, turn clockwise.
Do not take out the filter before closing the inlet valve.



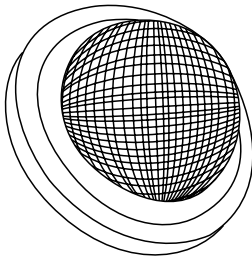
- 2** Unscrew the reducer from the Tee joint and take out the filter.



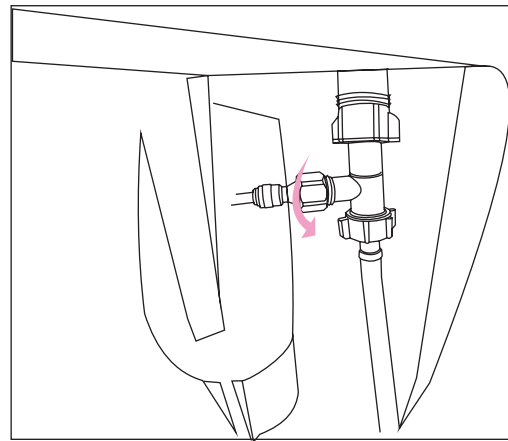
- 3** Clean the filter.
Use a tooth brush to clean the dirt on the filter.

Use a cloth to clean the dirt and deposits in the reducer.

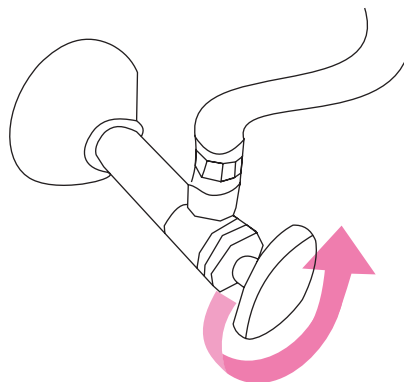
Use water instead of detergent. Do not overexert the filter while cleaning, do not damage the shape of the filter.



- 4** Install the filter back into the reducer.
Screw the reducer back onto the Tee joint.
Firmly tighten to avoid leakage.



- 5** Open the inlet valve by turning counterclockwise.
Ensure there are no leaks.



LONG TERM STORAGE

In order to prevent from any damages that may be caused from frozen toilet water, please drain away the remaining water according to the following methods.

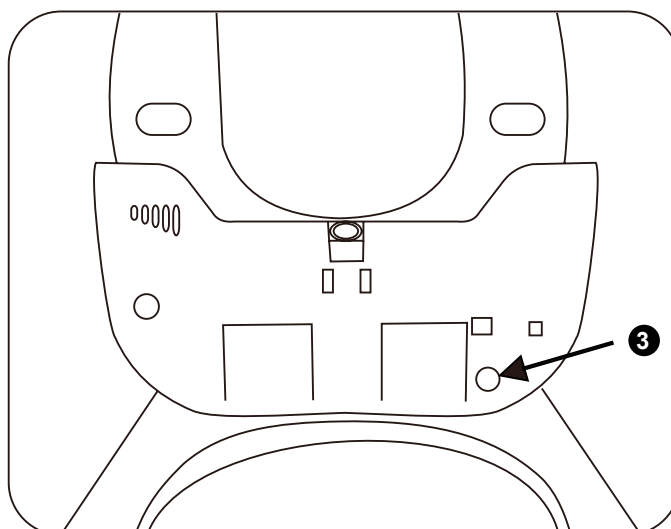
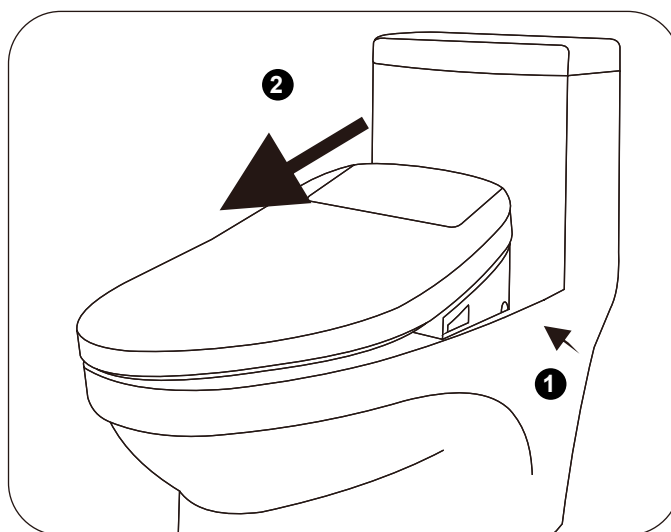
When leaving for a long time without using this toilet, please make sure to drain all the water from the toilet.

Preparation:

1. Close water inlet valve.
2. Turn off the power and unplug the power plug.

Uninstallation:

1. Press in the mounting plate release button.
2. Pull out the seat.
3. Set the seat upright and unscrew the drain bolt, let the water drain entirely.
4. Re-install the seat to the toilet.



SPECIFICATION SHEET

Item	Content
<i>Electric Load</i>	AC 120V / 1300W / 60HZ
<i>Electric Cord</i>	1.2 m insulated power cord
Cleaning System	
<i>REAR Bidet</i>	1 jet
<i>LADY Bidet</i>	5 jets
<i>Water Temp</i>	4 settings: Room temp / LOW / MEDIUM / HIGH
<i>Heater Capacity</i>	AC 120V / 1200W / 60HZ
<i>Cleaning Tank Capacity</i>	500mL
<i>Overheating Safety</i>	Temperature safety reset protector integrated. Toilet will shutdown if temp. is out of specs.
<i>Anti-Reflux</i>	Anti-Reflux check valve integrated.
Drying System	
<i>Drying Air Temp</i>	4 settings: Room temp / LOW / MEDIUM / HIGH
<i>Heater Capacity</i>	AC 120V / 190W / 60HZ
<i>Overheating Safety</i>	Temperature Fuse
Heating Seat	
<i>Seat Temp</i>	4 settings: Room temp / LOW / MEDIUM / HIGH
<i>Heater Capacity</i>	AC 120V / 45W / 60HZ
<i>Overheating Safety</i>	By design
Limitations	
<i>Water Supply Pressure</i>	Lowest water pressure is 0.1MPa (14.5 psi), highest water pressure is 0.5MPa (72.5 psi)
<i>Water Supply Temp</i>	15-35 C
<i>Ambiant Temp</i>	15-35 C

MAINTENANCE & CONSUMER RESPONSIBILITIES

- The DISTRIBUTOR does prohibits the use of harsh abrasive cleansers on any of its products. Harsh cleansers will damage the inner workings of the toilets.
- For daily maintenance, use a wet cloth and a soft liquid cleaner.
- Never use abrasives or cleaners containing acetone, chlorine or strong bleach, scrapers, metallic brushes, nor other objects or products which can graze or tarnish surfaces.

LIMITED 1 YEAR WARRANTY

The DISTRIBUTOR warranty is valid for a period of 1 year after purchased. Improper use of this product or any deviations to the general guidance given in the user manual will void the warranty. This non-transferable warranty applies only to the original purchaser and proof of purchase is required for all claims.

This warranty applies to the DISTRIBUTOR toilet installed for residential use only.

The DISTRIBUTOR warrants that, when installed in accordance with the Recognized Plumbing Industry Practice, the toilets are free of manufacturing defects for a period of one (1) year from the date of purchase.

The DISTRIBUTOR will repair or replace the damaged product or parts only if they were installed and used in a proper way according this user manual.

Before accepting to repair or replace the product, the DISTRIBUTOR is entitled to send a representative to inspect the product. We will offer free of charge service for inspecting, repairing and replacing for the items within this warranty period; However the freight charges are the customer's responsibility.

INFORMATION ABOUT YOUR WARRANTY COVERAGE

This warranty does not cover damages or failure attributable to:

- Toilets installed with obvious visual defects.
- Rough handling or improper operation.
- The presence of sediment or impurity in the water supply system used.
- Defects or damages to toilets caused by installation that does not comply strictly with the instructions set forth in the Recognized Plumbing Industry Practice.
- Defects or damage to toilets caused by severe accidents (e.g. fire, electric surge, etc.)
- Damage caused by flooding or standing water from leaking pipes, faucets, household appliances, etc.; Up to and including flooding and any damage caused by acts of God.

NOTES ON WARRANTY

This warranty applies only to the original purchaser and installation site and is not transferable.

FOR WARRANTY SERVICE

- ▶ To make a claim, contact the DISTRIBUTOR no later than 30 days following the date of discovery or detection of defect.
- ▶ Proof of purchase, such as the bill of sale is mandatory when requesting warranty service.
- ▶ The DISTRIBUTOR reserves the right to designate a representative to inspect the vanity for analysis.
- ▶ No unauthorized person, installer, dealer, agent or employee of the DISTRIBUTOR or any representative is entitled to assume any liability on behalf of the DISTRIBUTOR relating to the sale of this product or has the authority to increase or alter the obligations or limitations of this warranty.

INSTALLATION PICTURE



Save this manual for future reference
Conservez ce manuel pour usage ultérieur
Conserve este manual para futura referencia



HEAD OFFICE / SIÈGE SOCIAL / OFICINA PRINCIPAL
2800 Etienne Lenoir, Laval
Quebec H7R 0A3 Canada

Customer service / Service à la clientèle / Service al cliente
Tel.: 1-866-839-2888
Fax: 1-866-922-9990
customerservice@ovedecors.com

*8:00 am - 5:00 pm E.S.T Monday - Friday
8 h à 17 h HNE, du lundi au vendredi
8 h a 17 h HDE, de lunes a viernes*

*English and Frenchspeaking representatives available
Représentants disponibles en Anglais et Français
Representantes disponibles para inglés y francés*

KEEP THIS INFORMATION
CONSERVEZ CES INFORMATIONS
CONSERVE ESTA INFORMACIÓN

Purchase date

Date d'achat

Fecha de compra

Product Tracking Reference

Suivi et référence du produit

Numero de referencia
