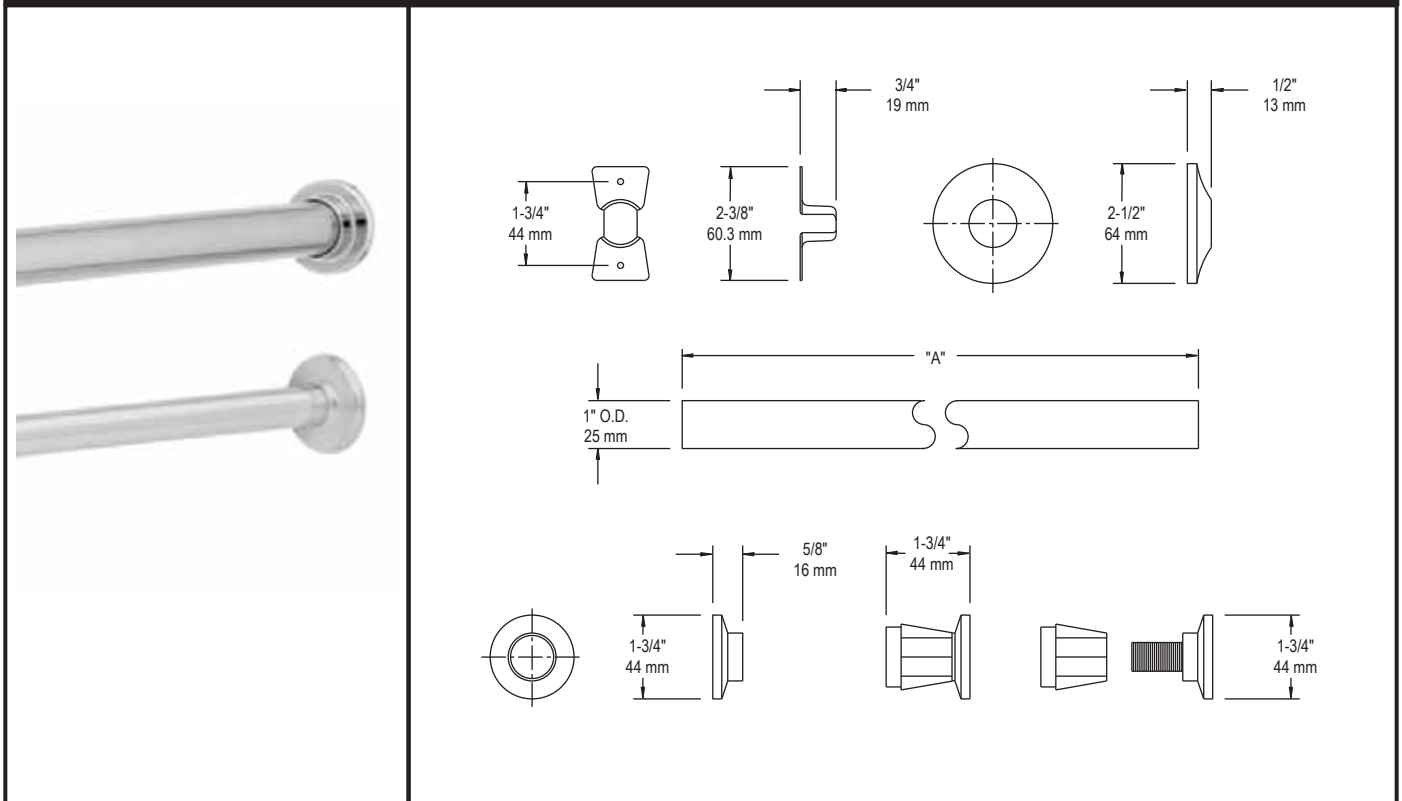


TECHNICAL DATA

Shower Rods

SHOWER ROD - 176 & 177 SERIES



INSTALLATION:

Install hanger type flanges and rod with 4 - #8 X 1-1/4" round head zinc plated steel screws provided. Cover flanges to be on rod before installation of hangers and rod. Slide cover flanges over hangers to complete installation. Install adjustable tension mounted holders and rod by sizing rod 1-5/8" shorter than wall opening. Insert rod into holders and tighten into position with counterclockwise motion on threaded holder until secure.