



Thank you for selecting JELD-WEN products. Attached are JELD-WEN's recommended installation instructions for F-2500 Fiberglass Folding Patio Doors. Read these instructions thoroughly before beginning. They are designed to work in most existing applications, however; existing conditions may require use of alternative methods to these instructions. If changes are needed, they are made at the installer's risk. For installations other than indicated in these instructions, contact a building professional. To adequately protect your door, please refer to "Appropriate Protection for Exterior Doors" for information on protection requirements at www.jeld-wen.com. Areas such as Florida and the Texas TDI region have different anchoring requirements based on product certification. For information on specific products, visit www.floridabuilding.org or www.tdi.texas.gov and follow the anchoring schedule given in the drawings for the product instead of the anchoring schedule in this document.

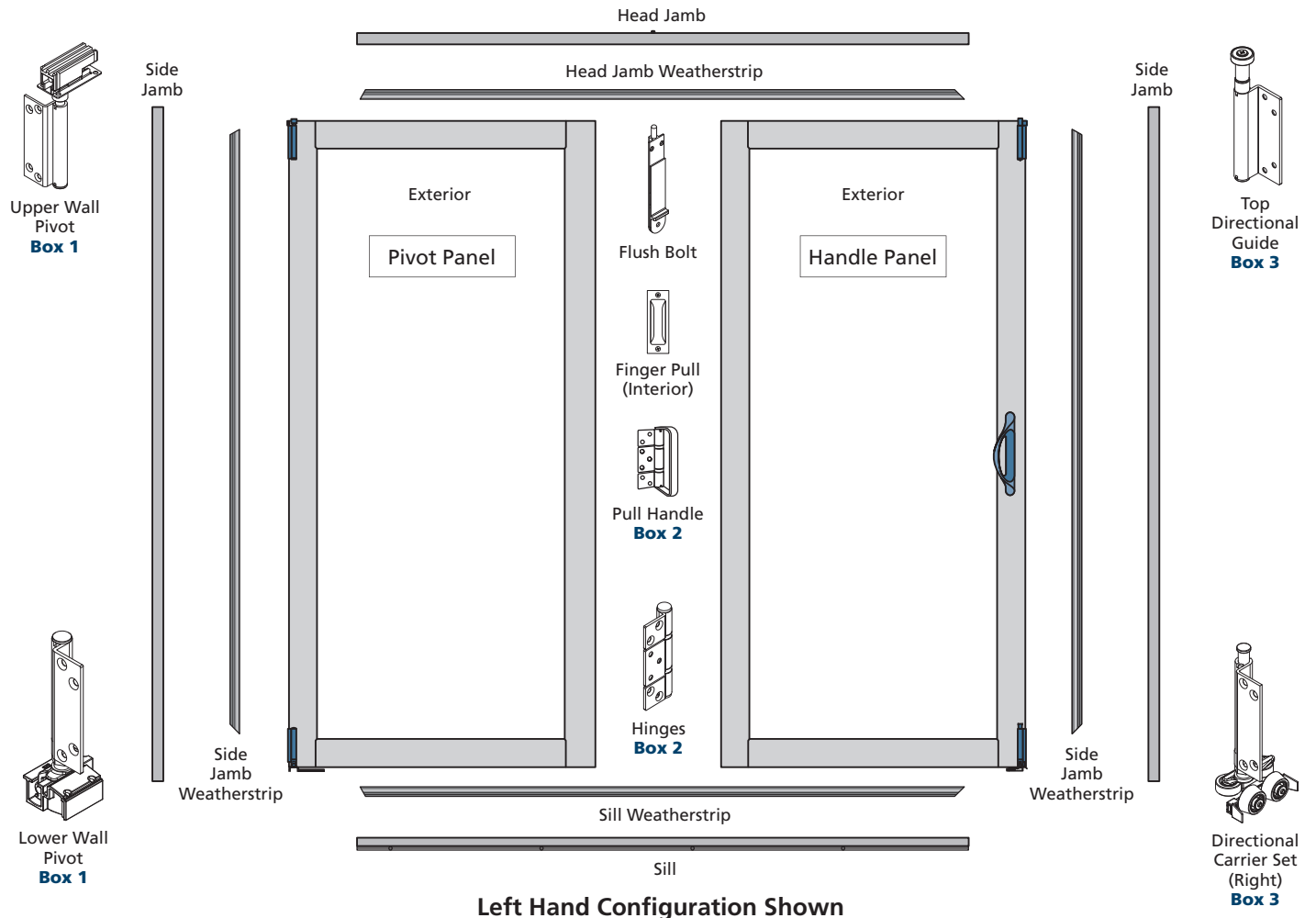
Newer construction methods have led to an increase in air and water tightness in buildings. This frequently leads to negative air pressure inside the house, which can draw water through very small openings. Our installation method uses a sill pan to capture and drain incidental storm water from under the door to the exterior.

Door Finishing

Finishing of door and frame components prior to installation is recommended. To finish your doors, please see our document **JCM004, Finishing and Refinishing Instructions for Interior and Exterior Door Slabs and Systems** located on our website at jeld-wen.com. Finish all

six surfaces (both sides and edges) of the door slab, including cutouts for hardware, as well as the frame to ensure proper protection from the elements. Finish the raw oak interior surface with two applications of clear coat. Fiberglass door slabs **MUST** be finished within thirty (30) days of purchase. Failure to finish the door slab and frame as instructed may result in the denial of warranty claims for operational or performance problems.

Kit Contents



IMPORTANT INFORMATION | TABLE OF CONTENTS | GLOSSARY

Not all exterior door types may be installed into every wall condition in all areas. See our Appropriate Protection document (JGI030) for overhang requirements at www.jeld-wen.com. Consult your local building code official (or Authority having jurisdiction) for applicable building codes and regulations. Local building code requirements supersede recommended installation instructions.

PLEASE NOTE: Any door installation such that the sill is higher than 35 feet above ground level or into a wall condition not specifically addressed in these instructions must be designed by an architect or structural engineer. We recommend that all non pre-finished wood or fiberglass components be finished with an appropriate paint or stain prior to installation. See our Finishing document for details at www.jeld-wen.com. Failure to properly finish or install square, level and plumb and on a flat surface (without peak and valleys) could result in denial of warranty claims for operational or performance problems.

NOTE TO INSTALLER: Provide a copy of these instructions to the building owner. By installing this product, you acknowledge the terms and conditions of the limited warranty as part of the terms of the sale.

Table of Contents

Landings	3
Rough Openings	3
Safety and Handling	3
Materials and Tools	4
Remove Packaging and Inspect Door	4
Inspect Rough Opening	4
Install Sill Pan	5
Prepare Buck	5
Prepare Stud-Framed Wall	6
Door Configurations	8
Materials	9
Frame Assembly	10
Frame Installation and Fasten Frame	10
Hardware Installation	12
Install Panels	13
Panel Adjustments	14
After Installation	15

Glossary

Backer Rod (backing material)

A material (e.g. foam rod) placed into a joint primarily to control the depth and shape of the sealant. Also serves as a bond breaker.

Buck

A code compliant framework built into a door or window opening in a concrete or masonry wall to which the door or window frame is secured.

Continuous Air Seal

A continuous seal put into the air gap area around the interior side of the fenestration perimeter to restrict infiltration or ex-filtration of air past the fenestration product.

Pilot Hole

A drilled hole that is no larger than the body of the screw (minus the threads).

Rough Opening (RO)

The opening in a wall into which a window or door is to be installed.

Self-Adhered Flashing

Flexible facing materials coated completely or partially on at least one side with an adhesive material and which do not depend on mechanical fasteners for attachment. They are used to bridge the joint (gap) between fenestration framing members and the adjacent weather resistive barriers or sealed drainage plane material. The purpose of flashing is to drain water away from the fenestration product to the exterior.

Shiplap

The layering method in which each layer overlaps the layer below it so that water runs down the outside.

Sill Pan

A type of flashing used at the base of the rough opening to divert water to the exterior or the exterior surface of a concealed WRB. Sill pans have upturned legs at the rear interior edge (back dam) and right and left sides (end dams), to form a three-sided pan that has the front open for drainage. They are intended to collect and drain water toward the exterior, including water that may enter through the door unit or around the door (between the rough opening and the fenestration). Sill pans can be made from self-adhered flashing or from a rigid or semi-rigid material, such as metal or a semi-rigid polymer.

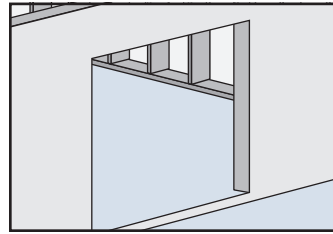
Please allow sufficient time to properly prepare the rough opening, install the door, and ensure its proper operation.

LANDINGS

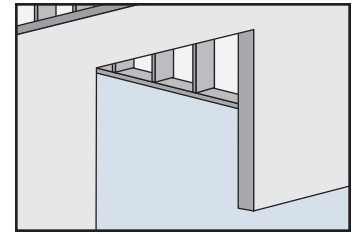
Landings

These instructions cover two door sill conditions: the **step-down landing** and the **continuous slab landing**. The installation methods vary slightly between landing types.

Step-Down Landing



Continuous Slab Landing



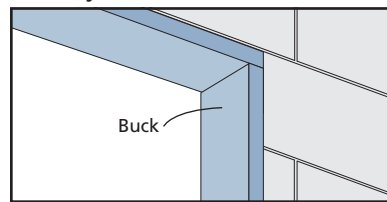
ROUGH OPENINGS

This installation guide specifically addresses masonry/block wall, sheathed wall and open-stud construction.

Masonry/Block Wall Construction

This installation assumes that a building professional has already properly fastened and sealed a framework of studs (often called a buck) to the concrete/masonry wall.

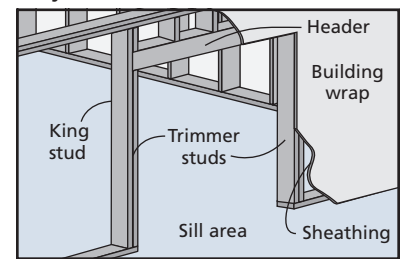
Masonry/Block Wall Construction



Fully Sheathed and Open-Stud Wall Construction

The door will be mounted inside of the rough opening. This installation assumes building wrap is properly installed prior to installation.

Fully Sheathed Wall Construction



SAFETY AND HANDLING

Safety

- Read and fully understand ALL manufacturer's instructions before beginning. Failure to follow proper installation and finishing instructions may result in the denial of warranty claims for operational or performance problems.
- Do not work alone. Two or more people are required. Use safe lifting techniques.
- Use caution when handling glass. Broken or cracked glass can cause serious injury.
- Wear protective gear (e.g. safety glasses, gloves, ear protection, etc.).
- Operate hand/power tools safely and follow manufacturer's operating instructions.
- Use caution when working at elevated heights.
- If disturbing existing paint, take proper precautions if lead paint is suspected (commonly used before 1979). Your regional EPA (www.epa.gov/lead) or Consumer Product Safety Commission offices provide information regarding regulations and lead protection.

WARNING: This product can expose you to chemicals including styrene and wood dust, which are known to the State of California to cause cancer. For more information go to www.P65Warnings.ca.gov.

WARNING: Drilling, sawing, sanding or machining wood products can expose you to wood dust, a substance known to the State of California to cause cancer. Avoid inhaling wood dust or use a dust mask or other safeguards for personal protection. For more information go to www.P65Warnings.ca.gov/wood.

Materials and Door Handling

- Heed material manufacturer's handling and application instructions.
- Protect adhesive surfaces from dirt, moisture, direct sunlight and folding over onto themselves.
- Handle in vertical position; do not drag on floor.
- Do not put stress on joints, corners or frames.
- Store door in dry, well-ventilated area in vertical, leaning position to allow air circulation; do not stack horizontally.
- Protect from exposure to direct sunlight during storage.
- Install only into vertical walls and when conditions are dry.

IF INJURY OCCURS, IMMEDIATELY SEEK MEDICAL ATTENTION!

MATERIALS AND TOOLS

Needed Materials

NOTE: JELD-WEN exterior window and door products should be installed in accordance with JELD-WEN's recommended installation and flashing directions, which are shipped with the products or can be found on our website: www.jeld-wen.com. Note that alternative installation methods and flashing systems may be utilized at the installer's or owner's discretion and, in such situations the installation should be done in accordance with the flashing manufacturer's instructions. Follow all material manufacturer's instructions for proper use and compatibility. When using flashing, spray adhesive/primer, sealant and foam products, we recommend using the same manufacturer and verifying compatibility. It is the End User's responsibility to determine if dissimilar materials are compatible with the substrates in the application.

- 3/16" masonry screws (such as Tapcon®) for sill installation onto concrete. Screws must penetrate at least 1-1/2" into substrate.
- Non-compressible or non-water degradable shims.
- Sill pan: It is best practice to use a pre-formed, rigid, positively sloped, pvc pan that provides continuous support. We recommend using SureSill™ Sloped Sill Pan™, manufactured by SureSill™, Ltd. An alternative would be a non-sloped pre-formed sill pan or one can be fabricated on site from metal or vinyl sheet material with the proper tools.
- Sealant: We recommend OSI® QUAD® Max Sealant or equivalent. This can be used in any application and can be painted or ordered in a color matched product if desired.

- Backer rod 1/8" larger than the widest portion of the gap (used in conjunction with sealant bead).
- Polyurethane low expansion Window and Door foam: We recommend OSI® QUAD® Foam or equivalent.
- 4", 6", or 9" (as required by local code and door configuration) wide self-adhered flashing: We recommend OSI® QUAD® Butyl Flash Tape or equivalent.
- Spray adhesive/primer for self-adhered flashing. Such as Loctite® 300 or equivalent. Follow manufacturer's instructions for application methods.
- Drip cap if required because of door location and exposure. Doors with an adequate overhang (see our Appropriate Protection document (JGI030) at www.jeld-wen.com) may not need a drip cap. In addition to sill pans, SureSill™ also offers types of head flashing.

FOR INSTALLATIONS INTO A BUCK:

- Liquid applied flashing (e.g. Protecto Wrap LWM 200, OSI® QUAD® Flash).

FOR INSTALLATIONS INTO BRICK VENEER:

- Rigid Flashing (see pages 7 and 10).

Needed Tools

- Tape measure
- Utility knife
- Level (3' and 6' recommended)
- J-roller
- Caulking gun
- Vacuum for removing debris from sill track
- Drill and Impact driver (optional) with bits
- Screwdrivers: #2 Phillips head, #3 Phillips head and a small flat head screwdriver (3/32)
- 14 mm open end wrench (panel adjustment only)
- Step Ladder (2)

1

REMOVE PACKAGING AND INSPECT DOOR

Remove Packaging

Remove shipping materials such as corner covers, shipping blocks or pads.

Inspect Door

- Cosmetic damage.
- Correct product (size, color, grid pattern, handing, glazing, energy-efficiency requirements, etc.).

If any of the above conditions represent a concern, or if you expect environmental conditions to exceed the door's performance rating, do not install the door. Contact your dealer or distributor for recommendations.

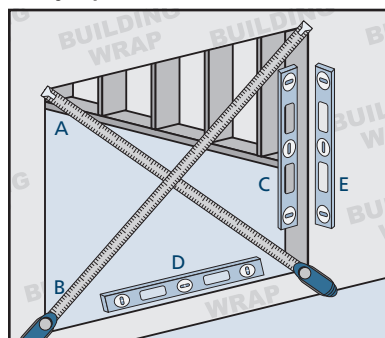
2

INSPECT ROUGH OPENING

Please evaluate the condition of the rough opening prior to installing the door. The procedures mentioned below are required to ensure proper operation and performance of the product.

- Verify the width and height of the door frame are each 1/2" - 3/4" smaller than the rough opening width/height.
- Verify the rough opening is square. The (A) and (B) measurements should be the same. Maximum allowable deviation from square is 1/4".
- Verify the rough opening is plumb and level (C, E and D). The maximum allowable deviation is 1/16" for every 2' of rough opening (not to exceed 1/8").

Verify Square, Level and Plumb



- The rough opening **MUST** be level (D).
- The exterior face of the rough opening must be in a single plane (E) with less than 1/8" twist from corner to corner.
- In wood frame construction, the header must be supported by trimmer studs and designed to ensure that no load is transferred to patio door unit.
- Correct any deviations before installing the patio door. Consult a building professional as needed.
- Verify the rough opening is clean and dry.

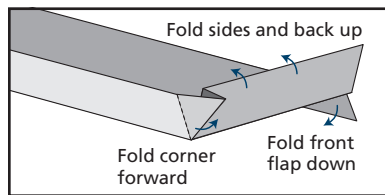
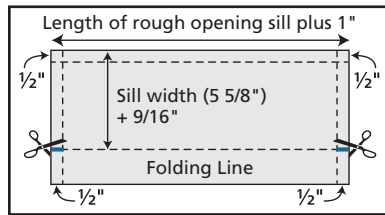
3

INSTALL SILL PAN

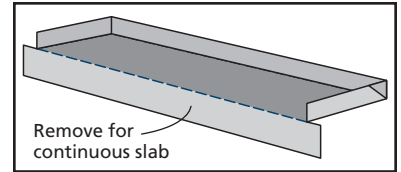
The sill can be prepared using one of two methods: **We recommend SureSill™ Sloped Sill Pan™ available from SureSill at www.suresill.com**, building supply stores, and some manufacturing locations or fabricate a sill pan on site. If installing a SureSill™ sill pan, follow SureSill's instructions for installation and skip to **section 4 "PREPARE BUCK"**, or to **section 5, "PREPARE STUD-FRAMED WALL"** as it applies to your situation. If fabricating a sill pan on the job site, follow the instructions below.

Jobsite Fabricated Sill Pan

1. Cut a piece of sheet material to the length shown.
2. Lightly crease folding lines 1/2" in from the two short sides and one long side.
3. Measure the width of the sill (5 5/8") and add 9/16".
NOTE: If jamb extension has been applied to the frame it may need to be modified in a manner to allow for a sill pan to make contact with the interior part of the sill.
4. Take this distance from the back edge and lightly crease a folding line across the sheet material.
5. For step-down landings, cut 1/2" in at this line on both sides of the sheet material.

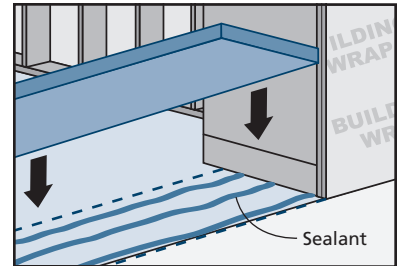
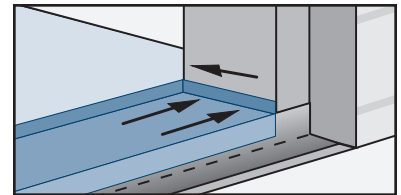


6. For continuous slab, cut across the folding line.
7. Fold the three back sides up to make a 3-sided box, and for step-down landings, fold the front flap down.



Install Sill Pan

1. Set the sill pan in the rough opening, aligning the front edge (for continuous slab) or folded down edge (for step-down) with the exterior of the rough opening.
2. Mark a line across the front and back of the sill pan. Remove sill pan from opening and set aside.
3. Apply three 3/8" beads of sealant between the lines.
4. Place the sill pan in the rough opening. Firmly press the sill pan into the sealant with a J-roller.



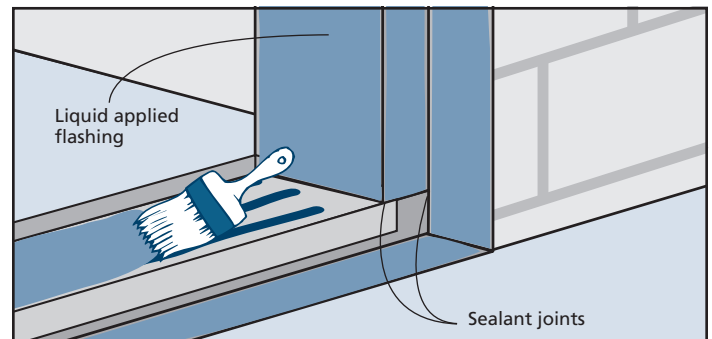
4

PREPARE BUCK

NOTE: This section applies to installations into a buck only. For installations into a stud-framed wall, begin with section 5, "PREPARE STUD-FRAMED WALL."

1. Seal any joint larger than 1/16" in the buck and between the buck and the concrete/masonry with sealant.
2. Cover the buck and the surrounding concrete/masonry at the head and jambs (apply over sill pan if installing a job site fabricated sill pan) with liquid applied or self-adhered flashing. If using self-adhered flashing, follow manufacturer's instructions for appropriate use of primers and other application methods.

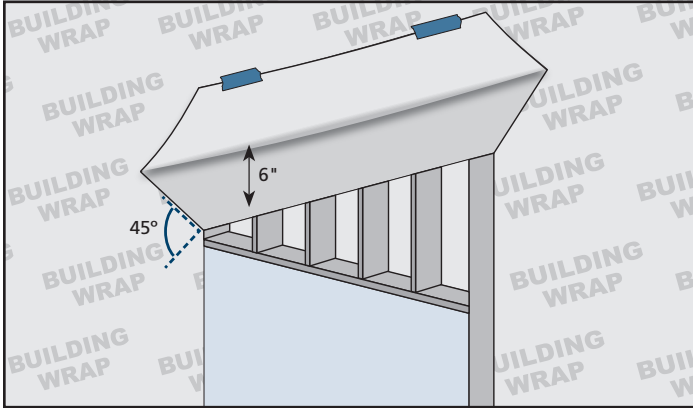
END of Buck Instructions, SKIP to section 6, "DOOR CONFIGURATIONS."



5 PREPARE STUD-FRAMED WALL

Optional Drip Cap

Verify these steps are allowed by the building wrap manufacturer.



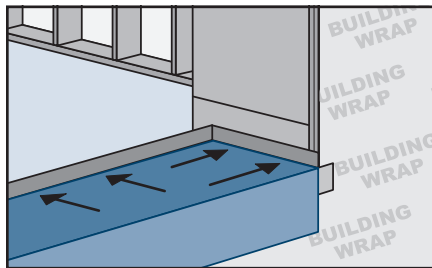
1. If installing a drip cap, (recommended because this integrates the building wrap and drip cap to protect the structure and the product from incidental water) at the head, slit building wrap 6" at 45°. Tape up as shown.

Install Jobsite Fabricated Sill Pan

NOTE: The rest of the steps in this section only apply to a job site fabricated sill pan. If installing a sill pan that you have purchased, follow manufacturer's instructions for installation and skip to section 6, "DOOR CONFIGURATIONS."

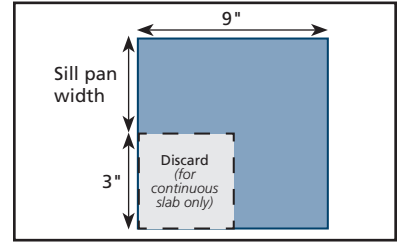
2. Apply spray adhesive/primer to the sill pan and surrounding area. Follow manufacturer's instructions for application methods.

3. Cut a piece of self-adhered flashing the length of the sill and apply over the sill pan as shown. The bottom of the sill pan should be completely covered by the self-adhered flashing. For step-down landings, fold flashing down as shown. For continuous slabs, trim flush with rough opening.

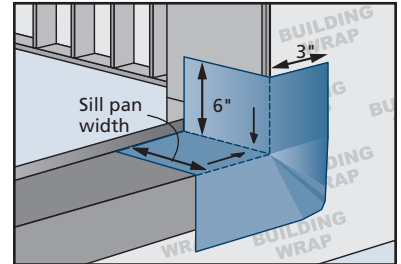


4. Cut two pieces of self-adhered flashing 9" wide by the sill pan width + 3" long.
 - a. For continuous slab landings only, cut out the inside corner.
 - b. Adhere the pieces of flashing to the inside corners. Stretch flashing as needed to cover corners and lay flat.
5. Smooth gaps or bubbles beneath self-adhered flashing with a J-roller (remove and replace if necessary).
6. Seal back corners of sill pan with sealant.

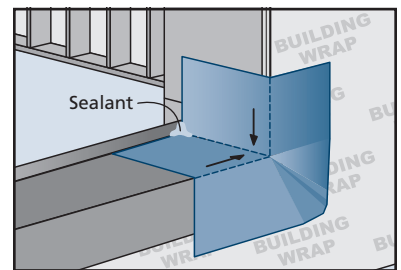
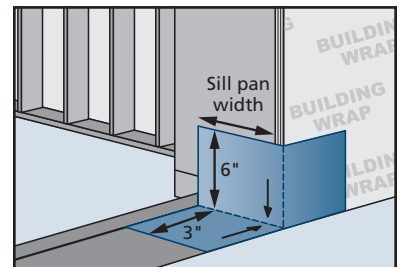
Refer to drawings on pages 7 and 10 for suggestions if installing into a 2x4 stud wall or brick veneer opening. Otherwise, continue with section 6, "DOOR CONFIGURATIONS."



Step-Down Landing

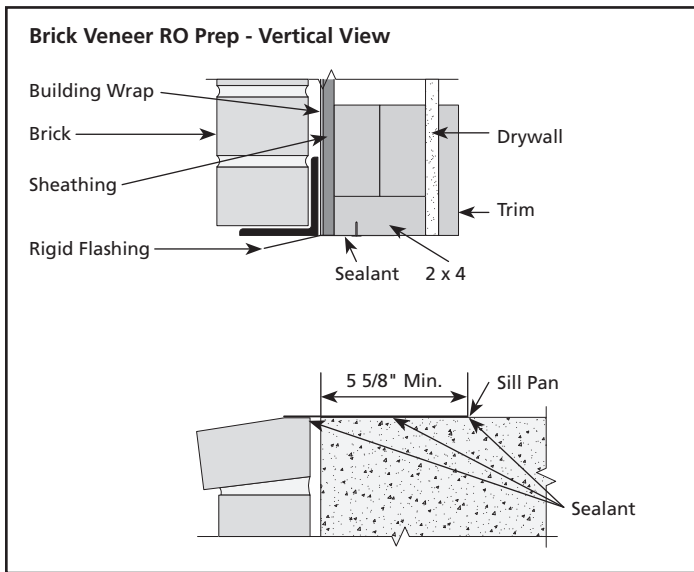
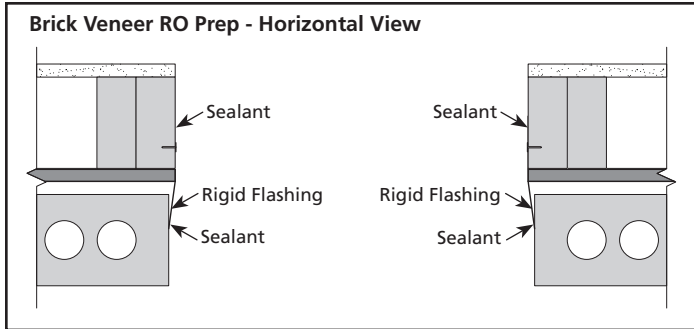


Continuous Slab Landing

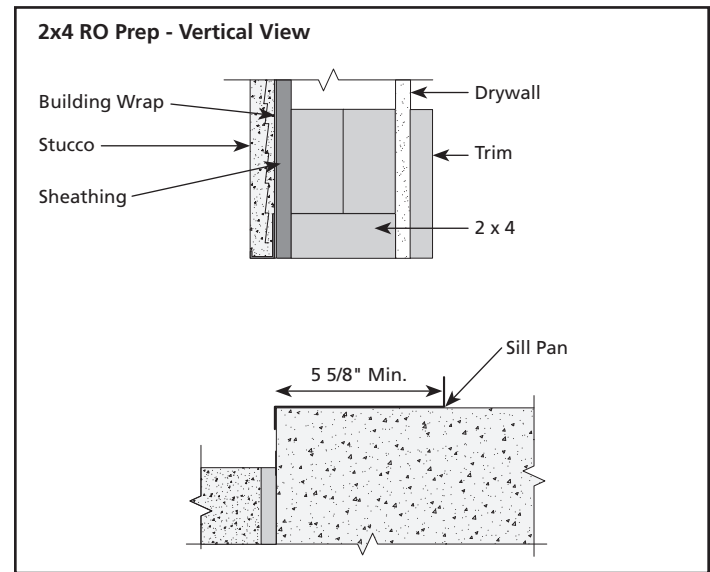
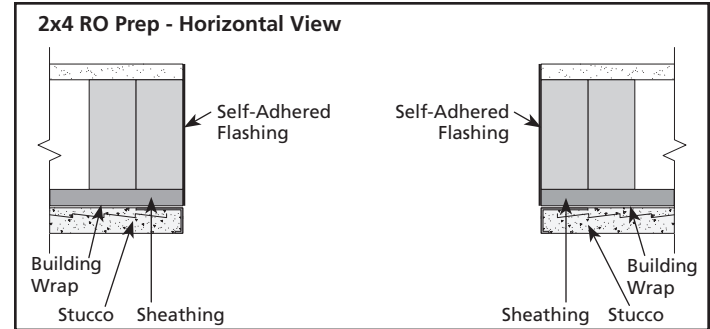


5 PREPARE STUD-FRAMED WALL *CONTINUED*

Brick Veneer Rough Opening Prep

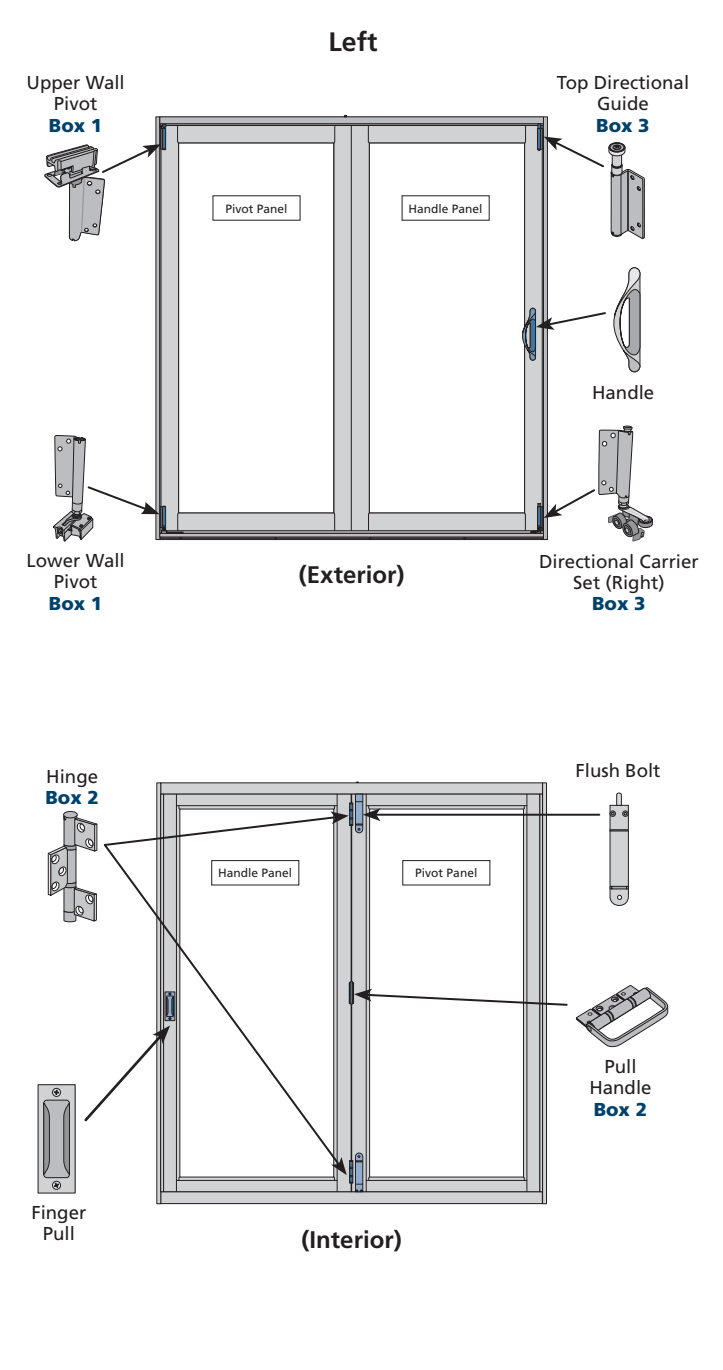
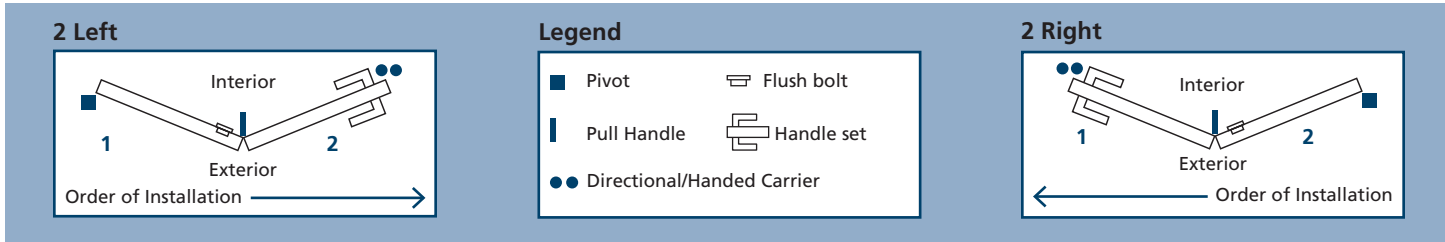


2 x 4 Rough Opening Prep



6 DOOR CONFIGURATIONS

Familiarize yourself with the handing, operation and components of the door unit.



MATERIALS

Provided Fasteners

- #8 x 3/8" Phillips screws for cover plate.
- #6 x 1" Phillips flat head screws for pivot hardware installation.
- #10 x 1-1/2" Phillips flat head screws to fasten hinges/handle/pivot hardware to panels.
- #10 x 2-1/2" Phillips flat head screws for frame assembly and securing the door frame (side jambs, head and sill track) into framing. If installing the sill onto concrete, these screws will need to be replaced with masonry fasteners to use in concrete.

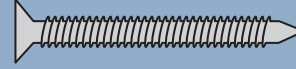
#8 x 3/8"
(Cover Plate)



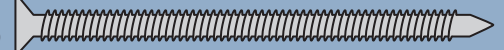
#6 x 1"
(Pivot Hardware)



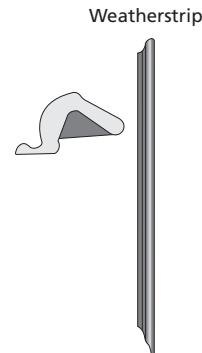
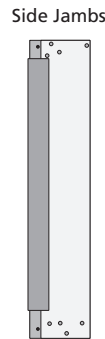
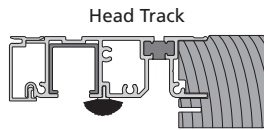
#10 x 1-1/2"
(Hinges/Handle/
Pivot Hardware)



#10 x 2-1/2"
(Frame Assembly)



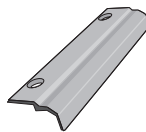
FRAME COMPONENTS



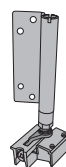
HARDWARE

Box 1

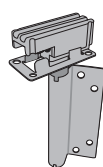
Lower Pivot Cover



Lower Wall Pivot

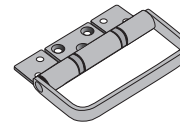


Upper Wall Pivot

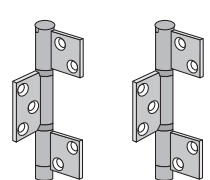


Box 2

Pull Handle

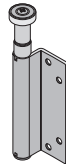


Hinges

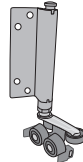


Box 3

Top Directional Guide

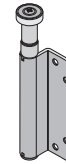


Directional Carrier Set -
Two Wheel (Left)

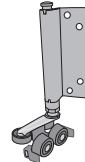


OR

Top Directional Guide



Directional Carrier Set -
Two Wheel (Right)

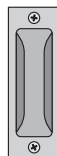


HANDLE SET

Handle



Finger Pull



7 **FRAME ASSEMBLY**

Prepare Frame

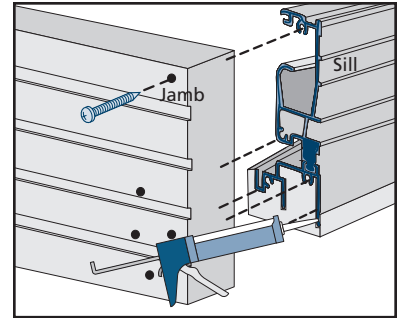
If holes are not pre-drilled in the frame components, pre-drill side jamb holes behind the weatherstrip 4" from the corners and then every 16" on center. Pre-drill the head and sill tracks 4" from the corners and every 8" for the span of pivot panel(s). Remaining holes should be 16" on center for the entire track span.

Assemble Frame

1. On a clean and flat surface, carefully position head, jambs and sill with the interior facing down.

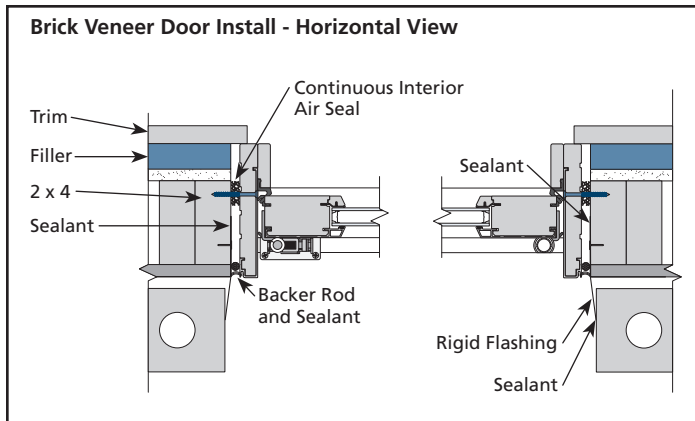
2. Run a bead of sealant on all surfaces of both ends of the sill as shown. Remove backing paper from gaskets applied to jambs. Repeat application for the head where the ends will contact the jambs.

3. Clamp the frame corners together to ensure the frame sits flush with the head and sill. Secure through the pre-drilled holes in the jambs with the provided #10 x 2-1/2" flat head screws.

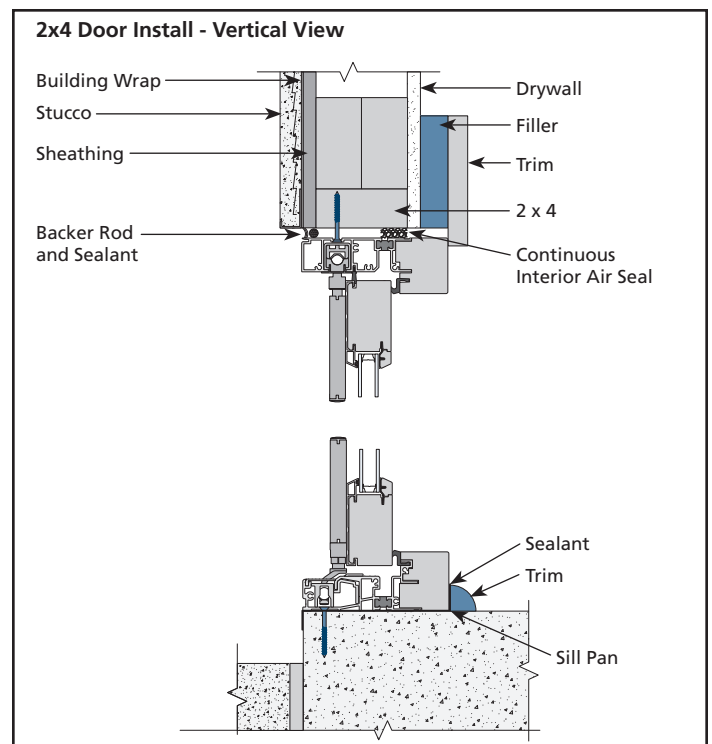
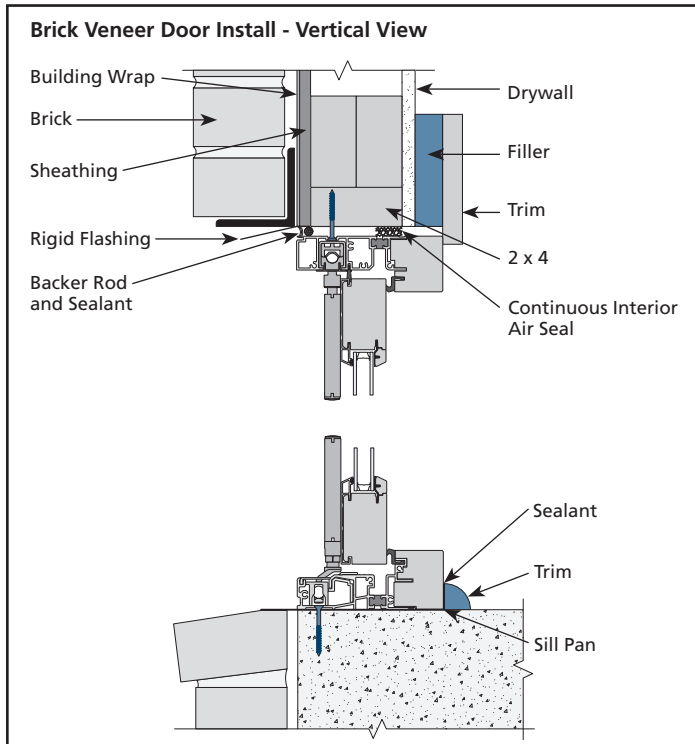
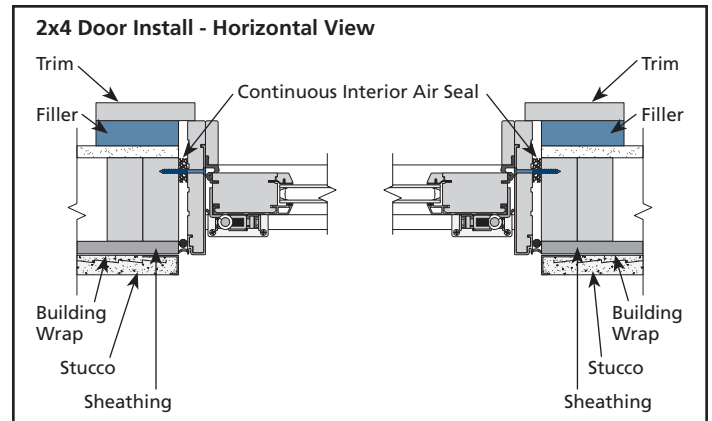


8 **FRAME INSTALLATION AND FASTEN FRAME**

Brick Veneer Door Install



2 x 4 Door Install

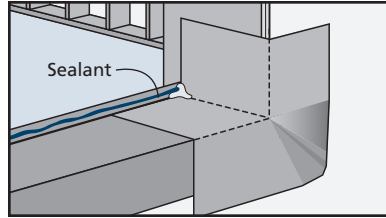


8 FRAME INSTALLATION AND FASTEN FRAME *CONTINUED*

Install Frame

WARNING! To avoid injury, use at least two people to install.

1. If installing a job site fabricated sill pan, run a continuous 3/8" bead of sealant along the sill pan back dam. When the frame is installed, make sure the frame makes solid contact with the sealant. Add more sealant if necessary.

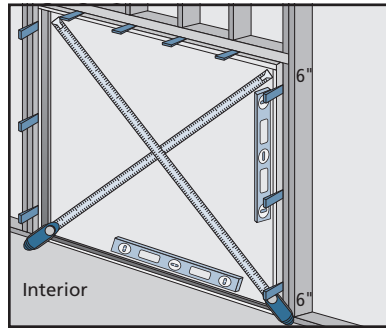


2. Tilt the frame into the rough opening. Install temporary fasteners through head track to adequately support frame until fully installed.

SHIM THE JAMBS

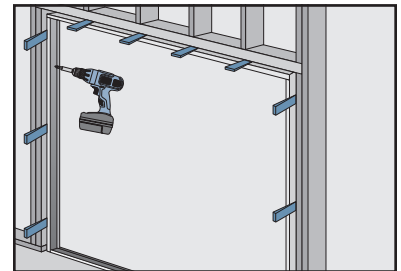
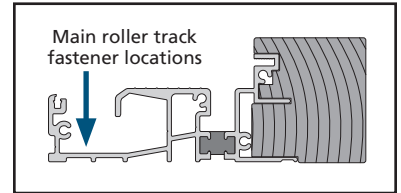
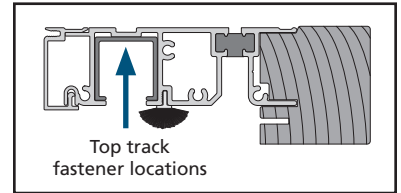
NOTE: Secure all shims with sealant if necessary.

1. From the interior, shim the side jambs at each pre-drilled hole or at maximum 16" on center. Shim head track next to pre-drilled holes.
2. Inspect the frame for square, level and plumb (remove and reinstall if necessary).

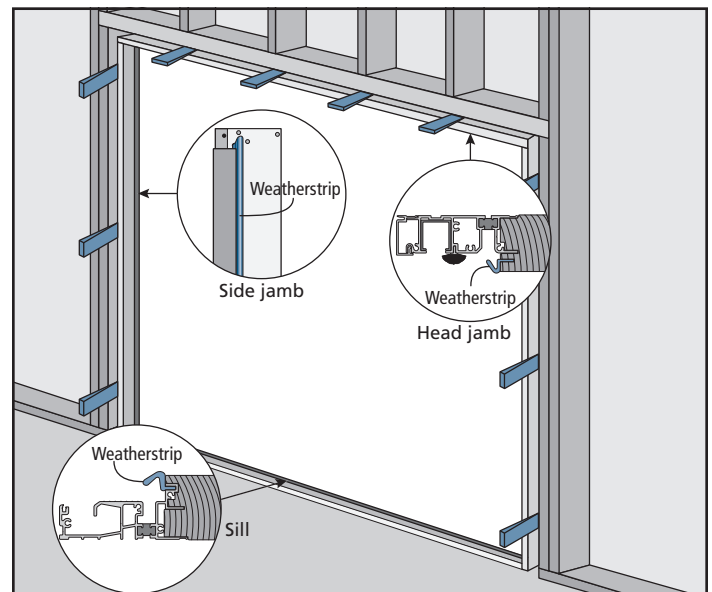


Fasten Frame

1. To secure the head, fasten through each pre-drilled hole using #10 x 2-1/2" flat head screws. Fasteners should not go through shims, but next to shims. Move shims accordingly to be next to fastener holes.
2. To secure the sill, put a generous amount of silicone sealant in each pre-drilled hole and drive a #10 x 2-1/2" flat head screw (wood floors only, for concrete floors, see the Needed Materials section for masonry fasteners) through each hole.
3. Secure the side jambs through each pre-drilled hole using #10 x 2-1/2" flat head screws.



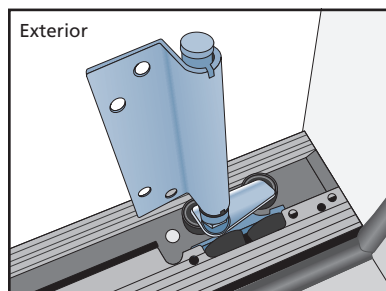
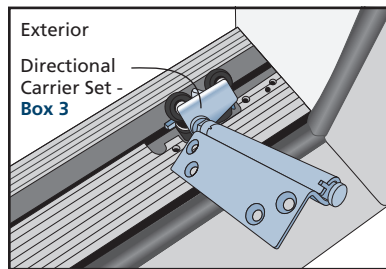
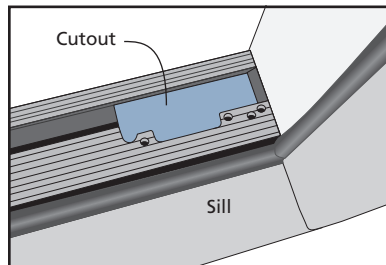
4. Apply the pre-fit weatherstrip in both side jambs, head and sill.



9 **HARDWARE INSTALLATION**

Install Hardware

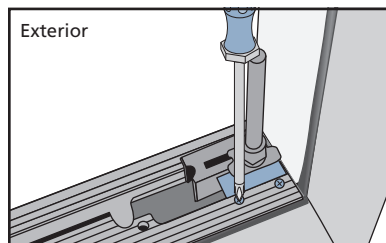
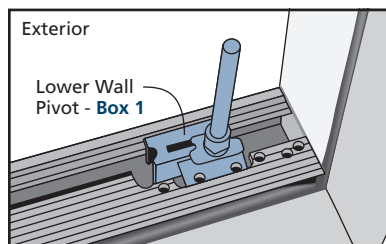
1. Arrange hardware so that it matches the hardware layout within the schematic on page 8.
2. To avoid damage to the rollers, clean all debris from the head and sill track.
3. Locate the cut out near the end of the sill track and insert the properly handed **Directional Carrier Set (two wheel) - Box 3**. Carriers should be positioned so that the tapered wheels face towards the interior and the horizontal wheels face towards the exterior.



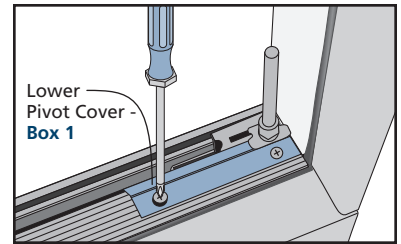
4. Insert the properly handed **Lower Wall Pivot - Box 1**. Hinge should be inserted so that the heel, with the two screw holes, is towards the interior of the sill track. Slide all the way against jamb.

NOTE: The hardware in box 1 includes two plastic housings for the Lower Wall Pivot (one for a left hand door and one for a right hand door). Make sure the correct plastic housing is used according to the handing of the door.

Secure the **Lower Wall Pivot - Box 1** to sill track with two #6 x 1" screws.

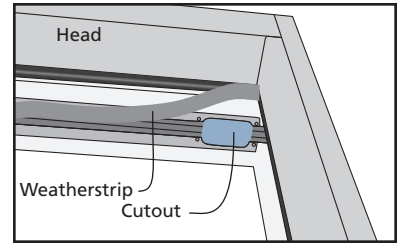


Apply the aluminum sill cover plate on top of the **Lower Wall Pivot - Box 1** and secure with two #8 x 3/8" screws.

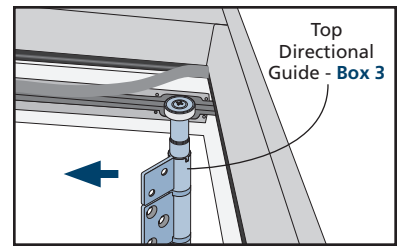


5. Locate the cut out near the end of the head track and insert the **Top Directional Guide - Box 3**.

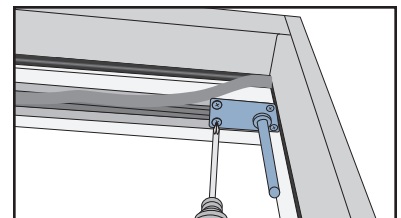
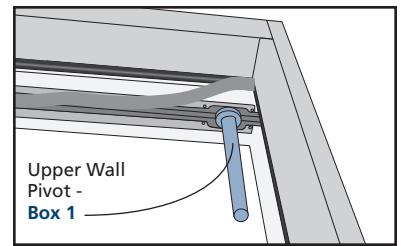
NOTE: Partial removal of the head jamb weatherstrip (just past the cutout in the head jamb) will assist with the Upper Wall Pivot installation.



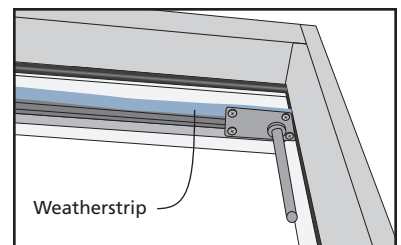
6. Slide the **Top Directional Guide - Box 3** to the opposite end of the head track.



7. Install the **Upper Wall Pivot - Box 1**. Align the metal hinge plate with the plastic housing and secure the hinge to upper track with four #6 x 1" screws.



8. Press the weatherstrip back into the head track.



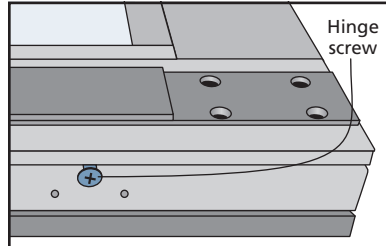
10

INSTALL PANELS

Install Panels

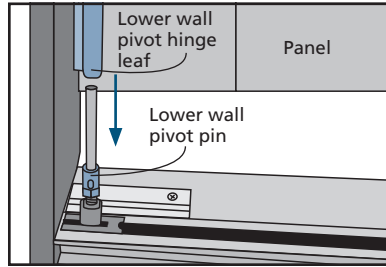
Study the overall door configuration before installation. Begin panel installation from the pivot panel. Panels are labeled "Pivot Panel" and "Handle Panel".

NOTE: Some hinge screws are pre-installed in the edge of the panels that have flush bolts. These screws are shorter than the other hinge screws and must be removed to install the hinge and then re-installed in the same location. This is to eliminate interference between the hinge screws and flush bolt.

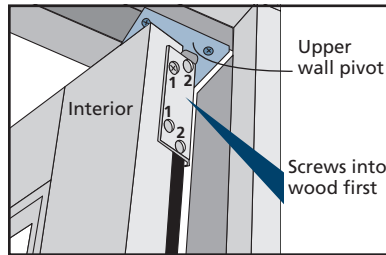


PIVOT PANEL: Installation of Wall Pivot Hardware - Box 1

1. Install **Lower Wall Pivot Hinge Leaf - Box 1** on lower end of panel with provided #10 x 1-1/2" flat head screws.
2. Hold the door in the vertical position. Lift, align and then set the **Lower Wall Pivot Hinge Leaf - Box 1** onto the **Lower Wall Pivot Pin - Box 1** installed into the sill. Ensure the panel does not make contact with the head of the door frame during process. With the door panel supported, rotate to the fully opened position and hold until upper wall pivot hinge leaf is secured.



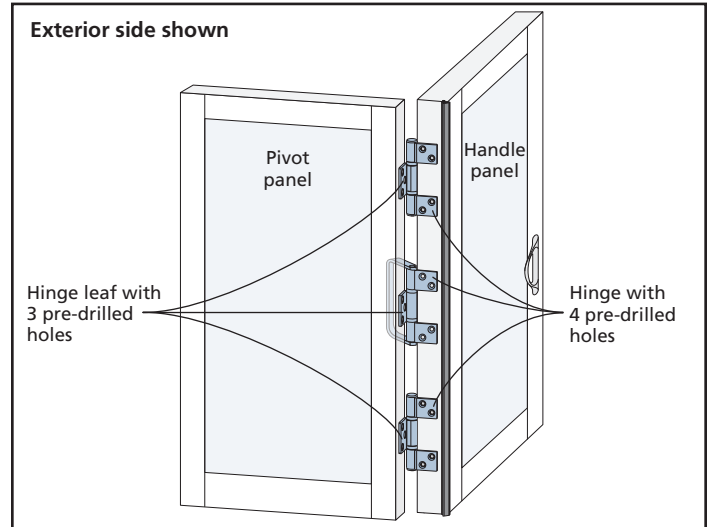
3. Slide the **Upper Wall Pivot Hinge Leaf - Box 1** on the Upper Wall Pivot. Secure the Hinge Leaf to the edge of the pivot panel.



PIVOT PANEL: Installation of Intermediate Hinges - Box 2

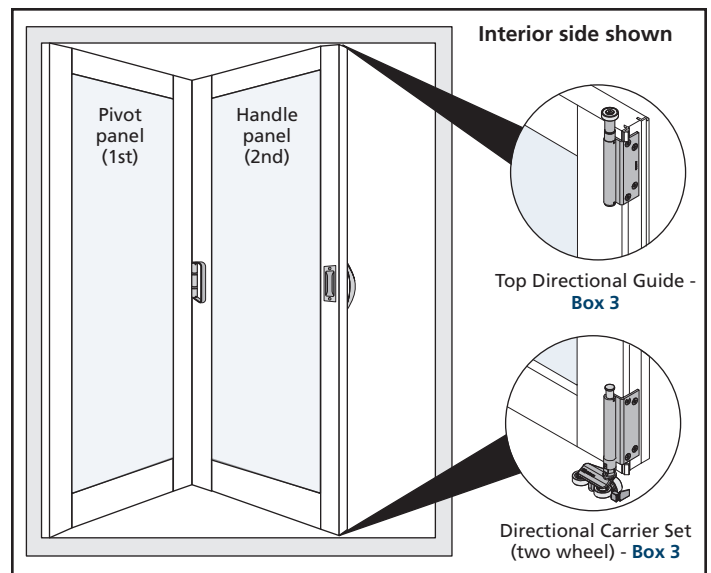
1. Attach the hinges to the pivot panel with the provided #10 x 1-1/2" flat head screws. Use the 3 pre-drilled holes on the pivot panel to align the hinges (the handle panel will be pre-drilled to accept the remaining hinge leaves).

NOTE: Make certain that the countersunk holes for the screw heads on the hinge leaf are facing toward the exterior.



HANDLE PANEL: Installation of Directional Carrier Hardware - Box 3

1. Hold the pivot door panel in the open position. Place the handle panel next to the pivot panel.
2. Make sure the center **Pull Handle - Box 2** is to the inside. Secure **Hinges - Box 2** with the provided #10 x 1-1/2" flat head screws.
3. Attach the pivot panel to the directional hardware installed in the frame **Top Directional Guide - Box 3** and the **Directional Carrier Set (two wheel) - Box 3**.

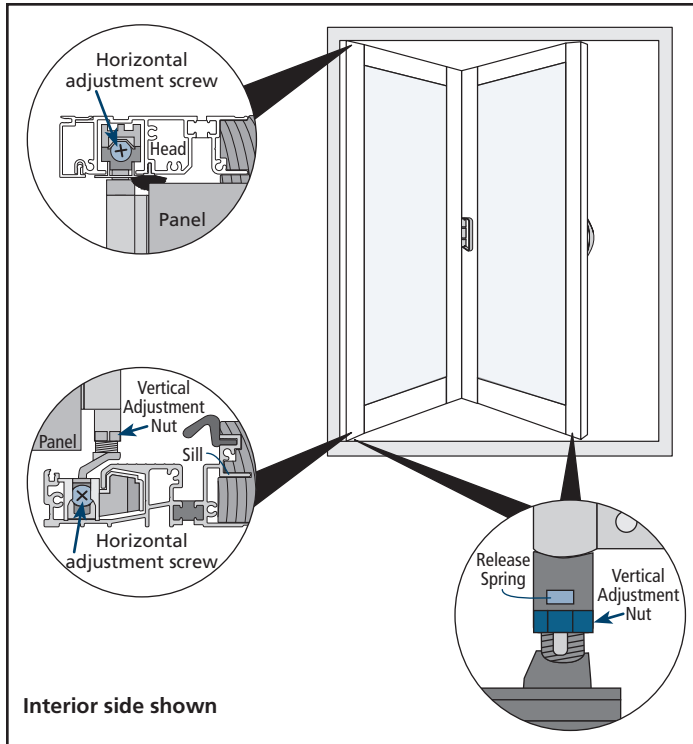


11

PANEL ADJUSTMENTS

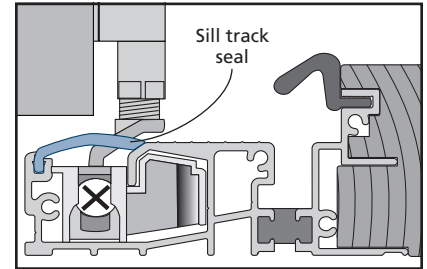
Make Final Adjustments - If Necessary

1. Doors will need adjusting after assembly at the job site. Slide doors into the closed position and push the flush bolt handles down to secure. Check for an approximate 3/16" gap between the panels and the head track and an approximate 3/8" gap between the panels and the sill track.
2. Upper and lower Wall Pivot Hinges adjust horizontally using a #3 Phillips head screwdriver. Clockwise rotations will move panel away from the jamb; counterclockwise moves the panel toward the jamb. Close panel and adjust until equal spacing exists between the panels and jambs.
3. Lower Wall Pivot Hinge and Directional Carrier Sets adjust vertically. Insert a flat head screwdriver into the slot to release the spring and turn the collar with a 14 mm open ended wrench. One rotation will provide approximately 1/16" adjustment. Right will raise and left will lower the panel. Adjust as necessary to achieve a consistent reveal across the opening.
4. Open and close the door system to check for smooth operation.



Finish Installation

1. Press the sill track seal into place in the exterior groove as shown.
2. On the interior side jambs and head, create a continuous air seal between the rough opening and the door frame with backer rod and sealant or low expansion foam. Allow the foam to fully cure and cut flush with a sharp knife. Make sure the foam cuts cleanly and doesn't tear.
3. On the exterior side jambs and head, seal between the rough opening and the door frame with backer rod and sealant.
4. Install drip cap if required or desired. Fold the building wrap (previously taped up) down over the drip cap and seal the cut ends with self-adhered flashing or building wrap tape.



12**AFTER INSTALLATION****After Installation**

1. Leave an expansion/contraction gap of approximately 3/8" between door frame and final exterior wall surface (siding, stucco, etc.). For a finished look and additional protection, seal this gap on the sides with backer rod and sealant. If sealant is applied above the drip cap ensure the sealant bead is discontinuous to allow for drainage.
2. Protect recently installed units from damage from plaster and paint.
3. Remove labels or other materials adhered to glass within 30 days after installation.
4. Apply interior trim as desired for a more finished look.

**Please visit jeld-wen.com for warranty
and care and maintenance information.**

Thank you for choosing

