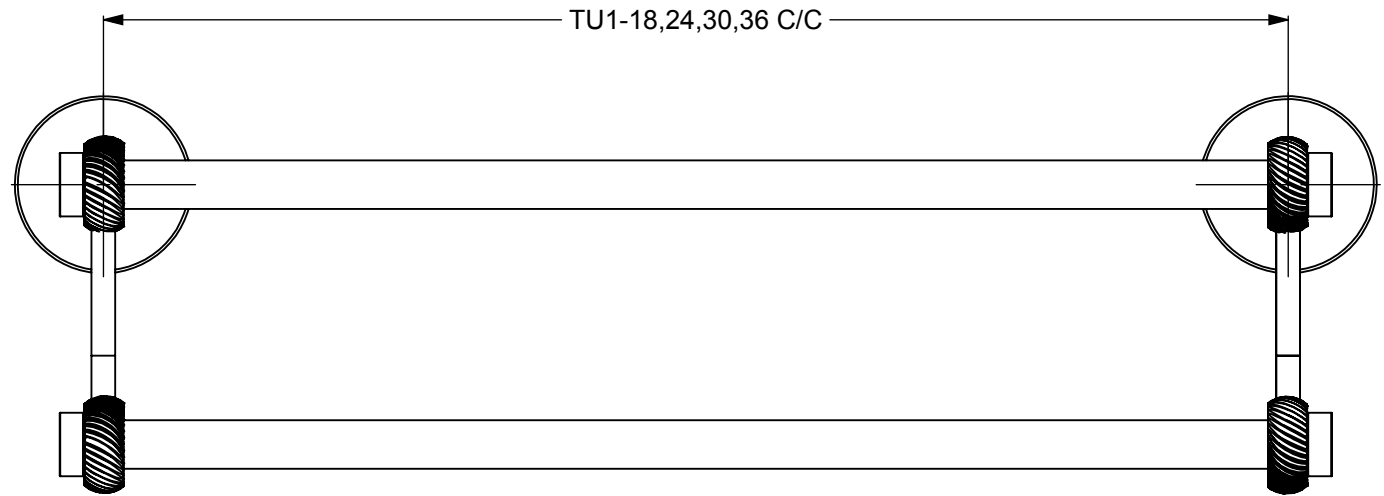
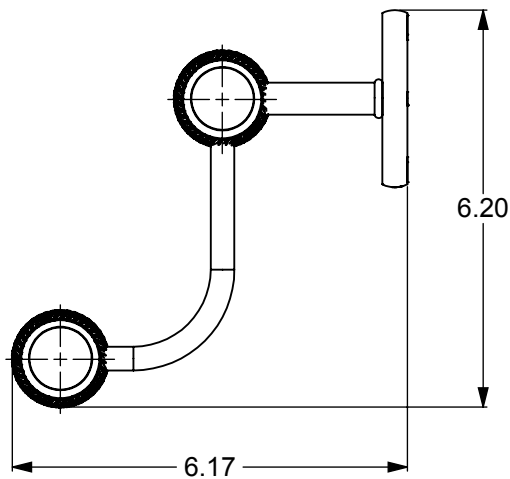
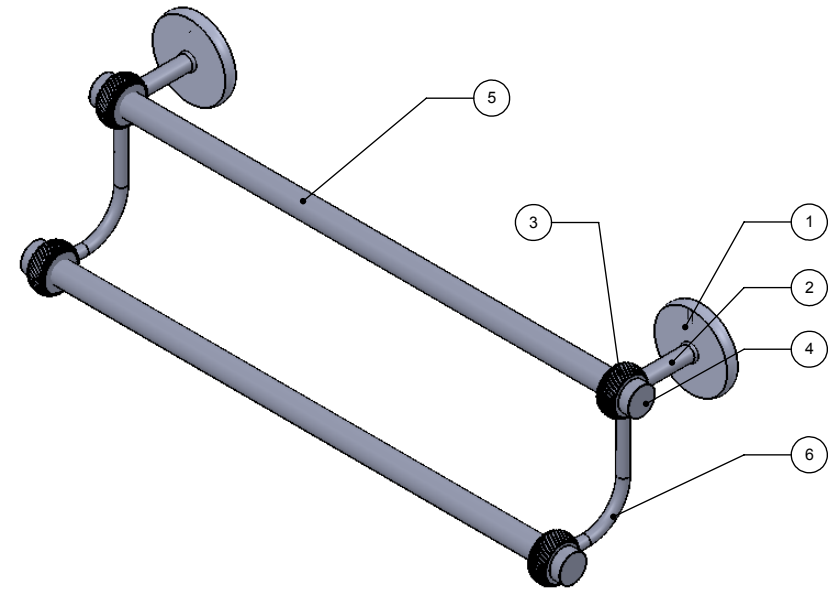


1	BPRD	BASE	2
2	TU12-.75	TUBE	2
3	RGTW	CONNECTOR	4
4	Card-1	END LOCK	4
5	TU1-18,24,30,36	TUBE	2
6	HKTT	TUBE PIPE	2

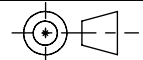


NOTE:
1. UNIT IS IN INCHES


UNLESS OTHERWISE STATED

.X	$\pm .3\text{mm}$
.XX	$\pm .15\text{mm}$
.XXX	$\pm .008\text{mm}$

COPYRIGHT © Allied Brass 2016



THIRD ANGLE PROJECTION

DRAWN	12-30-16	I.M	MATERIAL:	BRASS	FINISH	TBD
CHECKED	12-30-16	P.D	DESCRIPTION:		QUANTITY	TBD
APPROVED	12-30-16	R.A	TOWEL BAR		DRAWING No.	REV
					7272T	0
				SCALE	1:3	SHEET: 01 A4