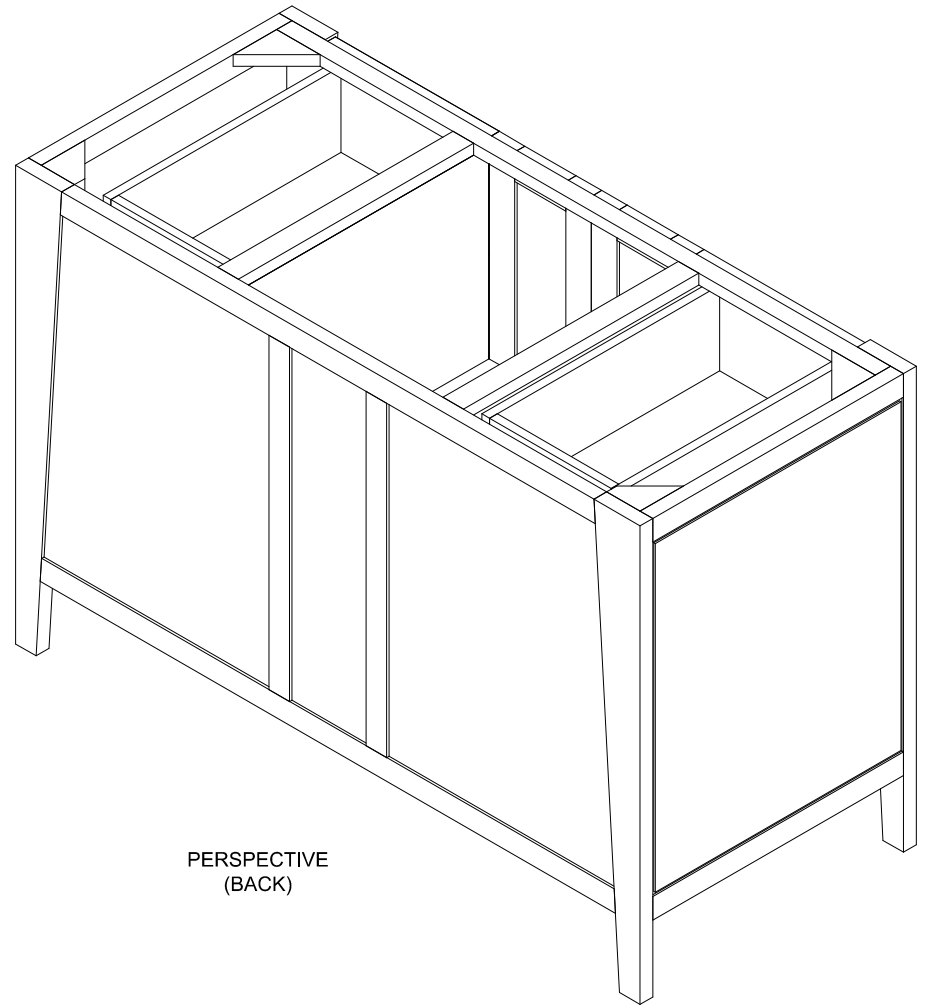



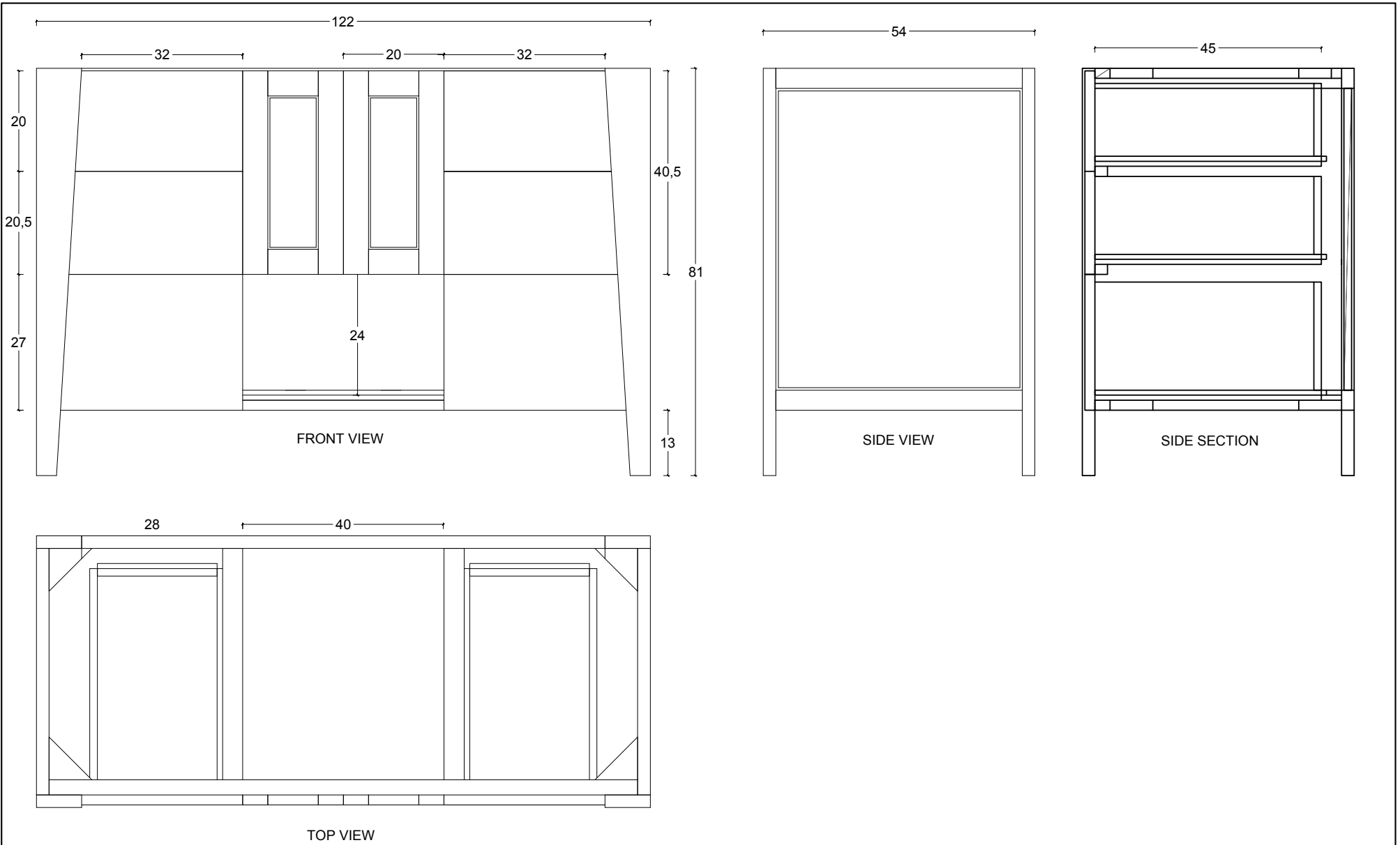
PERSPECTIVE  
(FRONT)




PERSPECTIVE  
(BACK)

All Right Reserved. No manufacturing or distribution without permission of E&T Horizons, USA

	DESCRIPTION :	SIZE :	UNIT OF MEASURE :	PREPARED BY :		PAGE :
	SIGNIFICADO 48" ST-BT-48	122 x 54 x 81 cm 48 x 21.3 x 31.9 in	cm	E&T Horizons		1



All Right Reserved. No manufacturing or distribution without permission of E&T Horizons, USA

DESCRIPTION :	SIZE :	UNIT OF MEASURE :	PREPARED BY :		PAGE :
SIGNIFICADO 48" ST-BT-48	122 x 54 x 81 cm 48 x 21.3 x 31.9 in	cm	E&T Horizons		2