

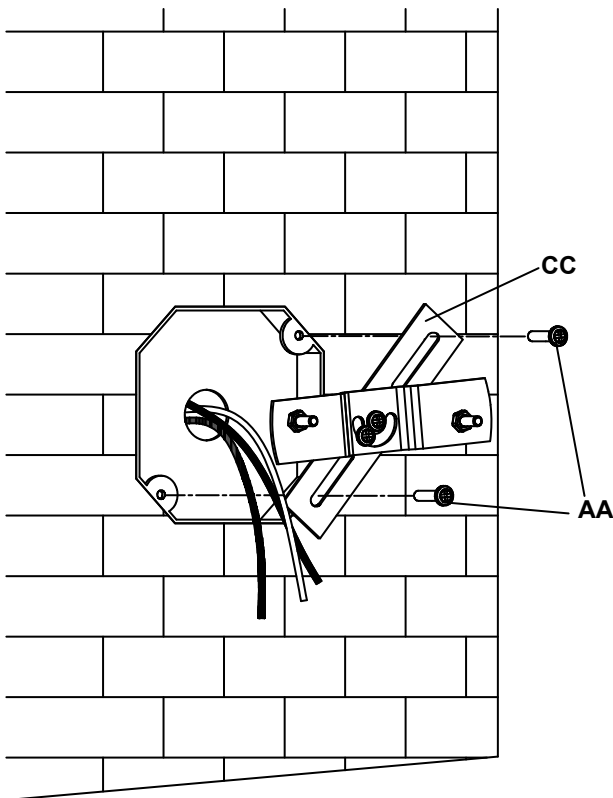
Installation

1 Installing the crossbar



CAUTION: Never rely on the wall switch alone to turn off power.

- Attach the crossbar (CC) to the junction box using the crossbar screws (AA).

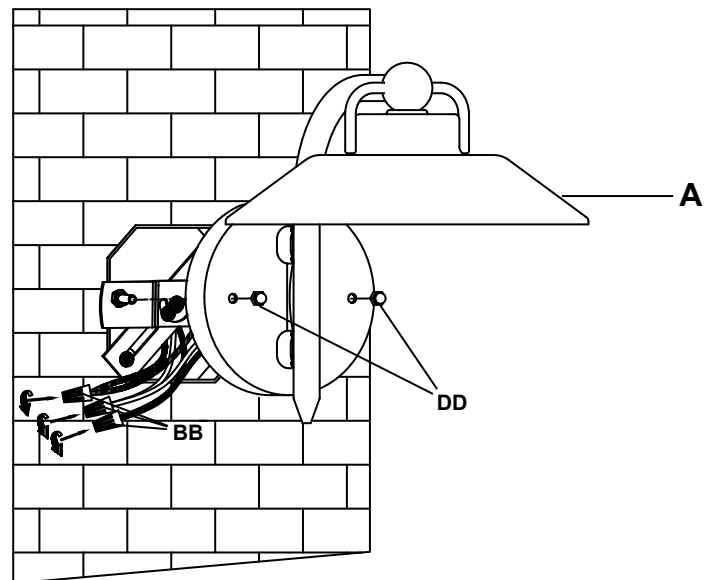


2 Connecting the wires and installing the fixture

- Connect the bare ground wire from the fixture to the ground wire from the junction box by twisting a wire nut (BB) onto the bare ends of the wires. Connect the white wire from the junction box to the white wire from the fixture (A) by twisting a wire nut (BB) onto the bare ends of the wires. Connect the black wire from the junction box to the black wire from the fixture (A) by twisting a second wire nut (BB) onto the bare ends of the wires. Make sure wire connections are secure. Carefully place the wires into the junction box. Then secure the fixture (A) with the fixed nuts (DD).



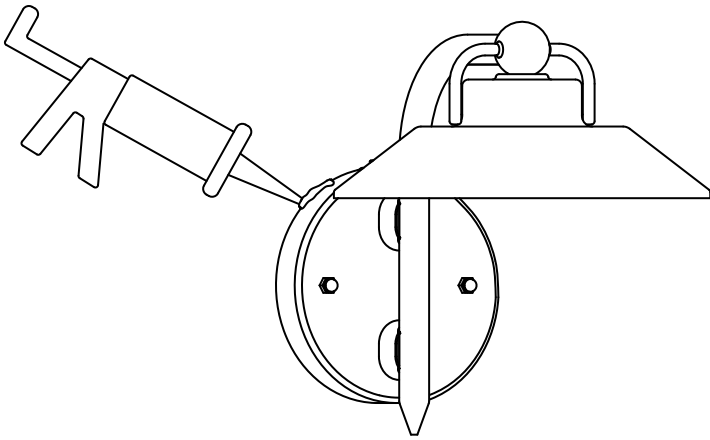
NOTE: The ground wire is green.



Installation (continued)

3 Sealing the fixture

- Apply silicone caulking adhesive (not included) completely around the perimeter of the fixture (A) where the back meets the mounting surface to prevent water from seeping into the junction box.



4 Installing the bulb and the lampshade

- Install the bulb (EE). Then install the lampshade (FF). Turn power back on at the circuit breaker and switch the wall switch to the ON position.

