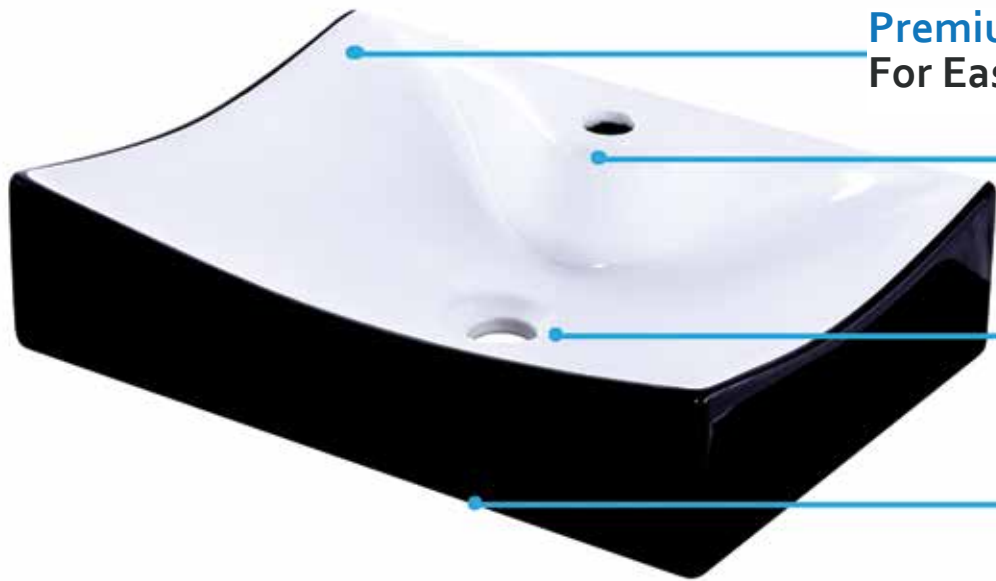




NOVATTO

WHERE STYLE FLOWS

Ceramic Vessel Sink Guide



Premium Gloss
For Easy Cleaning

Faucet Hole (on some sinks)
1.5" Standard

Drain Opening
1.75" Standard

Installation
Above Counter

THANK YOU

We would like to take this opportunity to thank you for choosing Novatto. We hope you are truly satisfied with our product(s) and enjoy it for years to come. As a small business, we learn the most from you, the customer. Please visit the link below and leave us a review with some pictures. We'll then reward you with a \$25 Amazon or Visa gift card.

It's easy as...

- Go to novattoinc.com
- In the top left, click "product registration and review"
- Find your product model
- Review, submit... enjoy!

PORCELAIN VESSEL SINK 101

As an industry leader in bathroom vessel sinks, Novatto uses advanced technology to produce beautiful vessel sinks with unmatched structural integrity and longevity. Each sink is protected with a premium gloss providing an easy to clean finish and lasting beauty. Plus our non-porous and stain resistant finish ensures your purchase looks like new for years to come.

When a bath demands superior design and quality, Novatto's porcelain vessels add that touch. Refresh and vitalize your bath with a stylish ceramic sink from Novatto where combining quality and design has never been more seamless.

TOOLS NEEDED FOR ASSEMBLY

(not included)



NOVATTO
WHERE STYLE FLOWS

Novatto | P: 844.404.4242
support@novattoinc.com
NovattoInc.com



Questions, problems, missing parts? Before returning call our customer service department at 844.404.4242, 8:00 a.m. - 5 p.m., MST Monday - Friday or e-mail us: support@novattoinc.com

INSTALLATION INSTRUCTIONS



TP-V10W (sink only)

Porcelain Vessel Sinks

Please Note:

- Review and abide by all building and plumbing codes.
- Novatto sinks need to be installed by a professional.
- Some counters require different cutting methods; seek the details of your chosen countertop material.
- Check to make sure the sink is sealed watertight.

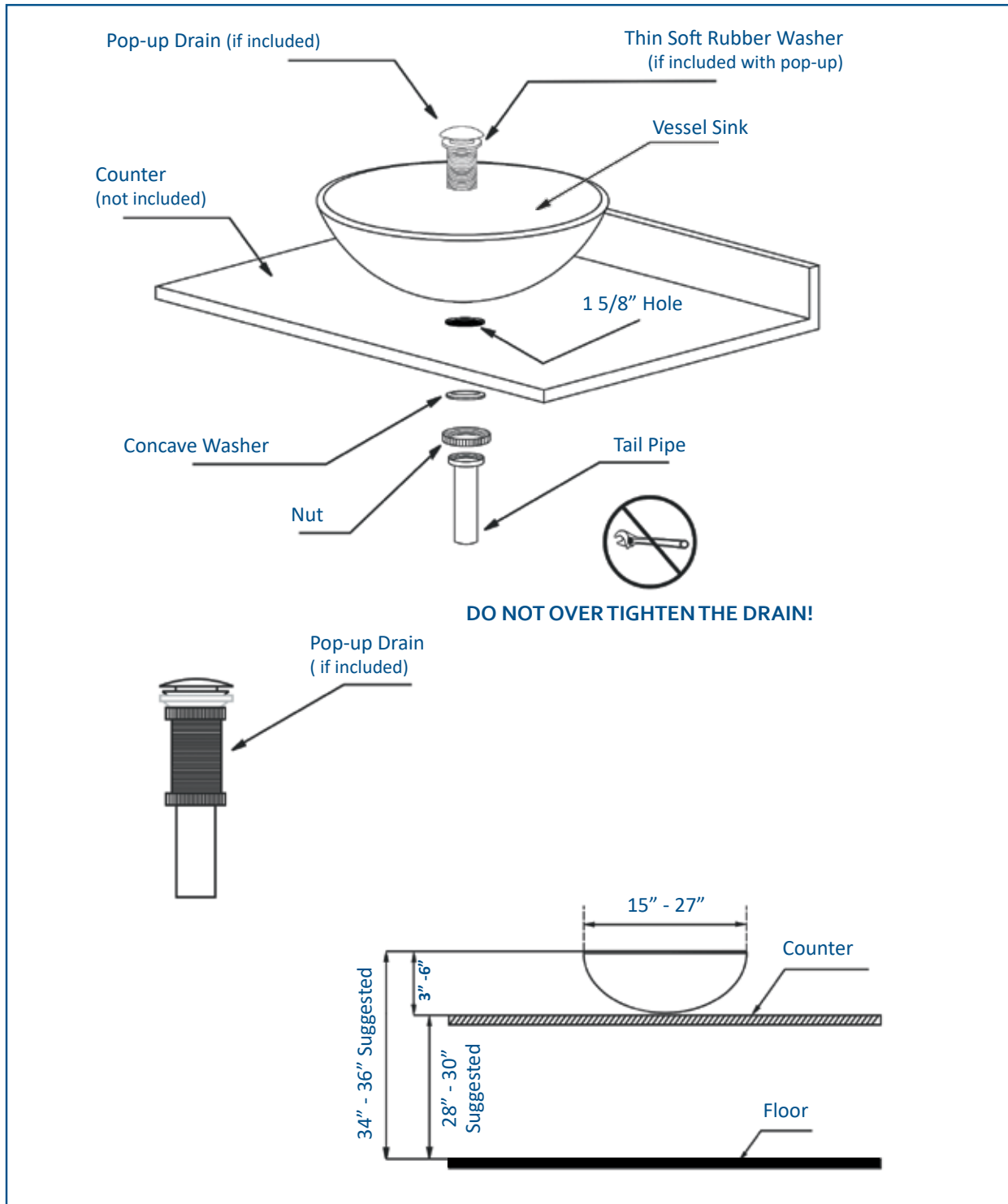
Novatto's vessel sinks are to be installed sitting on the counter top. Most vanity heights are set at 28" - 32". After a vessel sink is mounted on top of the counter the vessel height will be 34" - 36".

Steps to Complete Your Project

- **Layout and place** the sink and faucet of your choice in the desired location. Using a pencil, mark the drain hole and faucet base. Consider the flow of the faucet when marking the location.
- **Drill the counter top** for sink drain opening with a 1 5/8" drill bit. The faucet hole may be 1.5"
- **Place the vessel** on top of the counter and make sure the drain fits down inside of the counter.
- **Use a bead** of clear silicone to seal between the outside edge of vessel where it is mounted to the counter.
- **Use a level** to ensure the vessel is level in every direction and install the drain.
- **Secure the vessel** to the counter with fastener on the drain. Be sure to not over tighten the drain assembly. Hand tightening will be sufficient.

When cleaning up after installation, do not use abrasive cleaners. Use soft soap and warm water with a washcloth to clean the surface.

ASSEMBLY



TROUBLESHOOTING TIPS

<u>Issue</u>	<u>Reason</u>	<u>Solution</u>
Sink wobbles or is loose	Drain is loose	Tighten drain
Does not completely drain	Pop-up is too high, wrong seal used	Make sure correct seal is used and is below bevel
Leakage under sink	Drain has come loose	Tighten the fastener under the countertop



CARE AND MAINTENANCE

TP-V03W (sink only)

Glacier Ice

Glacier Ice (if included) will protect sinks, faucets and shower doors from hard water spots and mineral buildup. This pre-soaked cloth will cover up to 40 sq. feet and is reusable for multiple uses.



Glacier Ice, Faucet and Sink professional sealer kit will not only restore sinks, faucets and shower doors from hard water spots and mineral buildup. It will also protect from future corrosion, oxidation, mold and mildew. Treats up to 100 sq. ft.



Novatto's ceramic vessel sinks are incredibly easy to clean and maintain. To keep your porcelain sink in pristine condition simply wipe down with a soapy sponge or soft cloth, rinse and dry. A ceramic cleaner such as [Glacier Ice](#) or any other non-abrasive ceramic cleaner may be used if grime or minerals build up.

Caution: Do NOT use metal brushes, scouring pads or any abrasive cleaners when cleaning porcelain sinks as this may scratch the ceramic and may discolor or damage the gloss.

Porcelain is made of kaolin, which is a silicate-based mineral found in clay. The clay is sculpted to the required shape and then covered with glaze. After the glaze dries, the piece is fired at extremely high temperatures, triggering a physical reaction, which turns the surface of the sink into the durable, shiny finish known through out the world. Novatto's in-house testing have found the sinks to be very durable and forgiving. Normal items such as toothbrushes, small jewelry, bottles, etc. will not damage a Novatto ceramic sink. Do not allow the ceramic vessel sink to come in contact with steel or other objects which could scratch or damage the sink. Novatto recommends using a professional plumber when installing your ceramic sink.

FAQs



PROTECT YOUR INVESTMENT

What is the best way to care for my Novatto ceramic vessel?

Ultimately, the best way to care and keep your sink like new is to protect it with **Glacier Ice**. This nanotechnology will prevent any hard water spots or oxidation on the sink and faucet. For everyday cleaning simply use a soft cloth, soap and warm water. soap and warm water.

Is there a template available for the ceramic sinks?

Yes, they may be obtained off our website at NovattoInc.com. We always recommend using the actual sink for desired placement before making any cuts in the counter.



NSFC-V07W136BN

May I use a drain from another vendor?

Yes, drains from other manufacturers will be compatible with our porcelain vessel sinks.

Is the drain or faucet included with my purchase?

It may be; we offer our sinks individually or as a combo. Double check your purchase for details. We recommend using a pop-up drain with our ceramic vessel sinks.

Is a mounting ring needed?

Since all of our ceramic sinks have a flat bottom, a mounting ring is not necessary.

Do these ceramic vessel sinks have overflows?

Yes, some do have overflow holes. Check your sink image and specs for reference.

How durable is the gloss on the ceramic sink?

Each porcelain sink is protected with a premium gloss for less maintenance and lasting beauty. A non-porous and stain resistant finish ensures a new look for years to come. Novatto's in house testing has found the sink's gloss to be very durable and forgiving. Normal items such as toothbrushes, small jewelry etc., will not damage a Novatto ceramic sink.

NOVATTO
WHERE STYLE FLOWS

More questions? Feel free to contact our technical support team anytime. More info is also available at our website.

Novatto | P: 844.404.4242
support@novattoinc.com
NovattoInc.com

WARRANTY

Novatto products have been made under the highest standards of craftsmanship and quality. Each product of ours under goes strict quality control testing to ensure years of enjoyment. Novatto's ceramic sinks offer a warranty for defects in workmanship and/or materials when the product was purchased through an authorized Novatto dealer.

Novatto's ceramic sinks are backed by Novatto's Lifetime Limited warranty. Novatto warrants to the original consumer purchaser for as long as the original consumer purchaser owns their home (the "Warranty Period" for homeowners), this sink will be free from defects in material and workmanship. All other purchasers including purchasers for industrial, commercial and business use are excluded from this warranty. Warranties are not transferable, between homes or owners and are only applicable to residential use.

Under no circumstance will Novatto be held responsible for any damage as a result during or after product installation. We will not be responsible for any labor or installation charges, freight cost, lost profit or any other expenses associated with a defective product. Novatto's only responsibility is the replacement, exchange, or repair of a defective product. Novatto will not be responsible for product failures due to lack of maintenance. We will not be held responsible for any damage or product failure due to improper installation, misuse, or failure to use a licensed professional. Please read the care and maintenance documentation to determine the limits of proper use.

If you believe you have a warranty claim, contact Novatto, either through your local Dealer, Plumbing Contractor, Home Center, or by writing: Novatto Inc, Attn.: Product Support, 3533 E. Corona Ave., Phoenix, AZ 85048, USA. Please be sure to provide all pertinent information regarding your claim, including a complete description of the problem, the product, model number, color, finish, the date the product was purchased and from whom the product was purchased. Also include the original sales receipt. For other information, or to obtain the name and address of the service and repair facility nearest you, email: support@novattoinc.com.

Novatto makes no implication our products comply with any or all local building or plumbing codes. It is the consumer's responsibility to determine local code compliance. This warranty extends to the original purchaser and first consumer.

**Get the most out
of your Novatto
sink by registering!**

**By registering, you verify the
Novatto product's warranty.
Plus you will receive helpful
tips, learn of special events
and much more!**

Need more help?

Feel free to contact our technical support anytime at 844.404.4242 or email us at: productsupport@novattoinc.com. More information is also available at: www.NovattoInc.com.