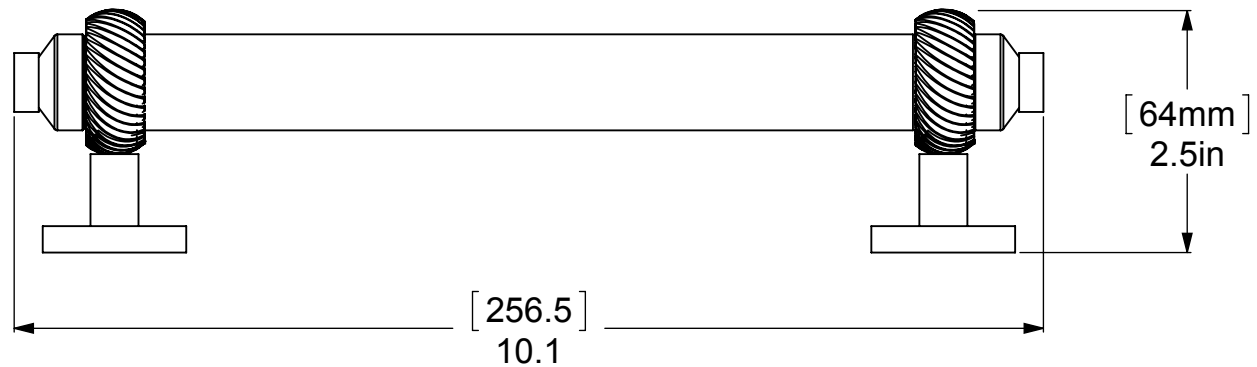
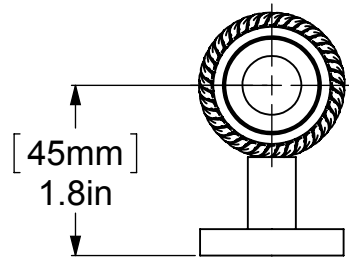
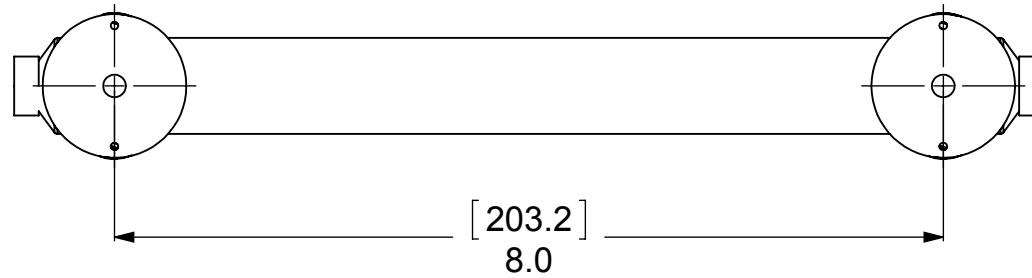
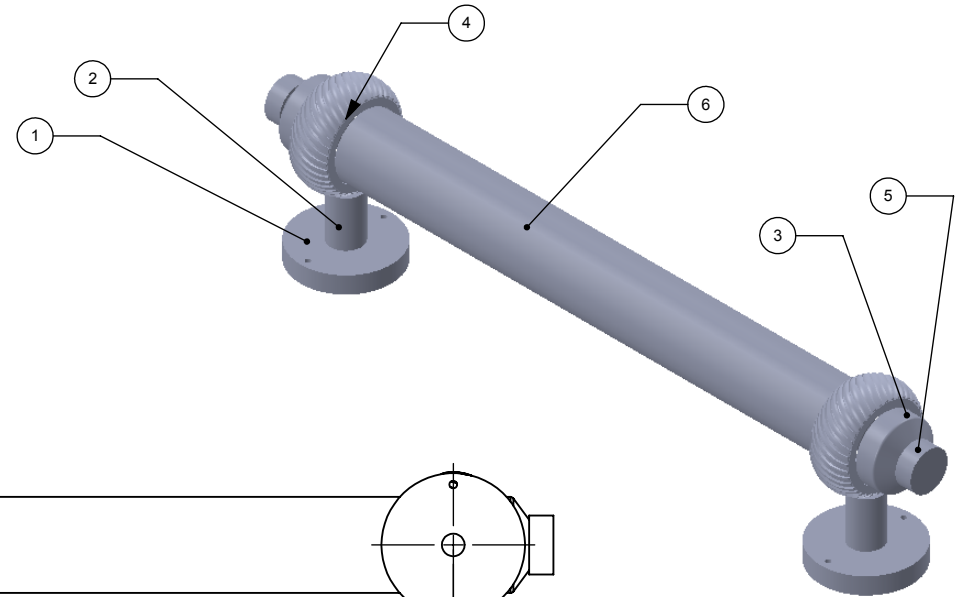


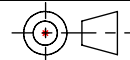
ITEM NO.	PART NUMBER	DESCRIPTION	QTY.
1	LP Casting	BASE	2
2	TU12-.75	TUBE SUPPORT	2
3	SM-LP	RING	2
4	RGTW	CONNECTOR	2
5	CARD-58	BOTTOM BALL	2
6	TU1-7.4	TUBE	1



UNLESS OTHERWISE STATED

.X	±.3mm
.XX	±.15mm
.XXX	±.008mm

COPYRIGHT © Allied Brass 2017



THIRD ANGLE PROJECTION

DRAWN	5/17/2017	I.M
CHECKED	5/17/2017	P.D
APPROVED	5/17/2017	R.A

MATERIAL: BRASS

DESCRIPTION:
8 Inch Door Pull



FINISH	TBD
QUANTITY	TBD
DRAWING No.	REV
403T	0
SCALE	1:2
SHEET: 01	A4