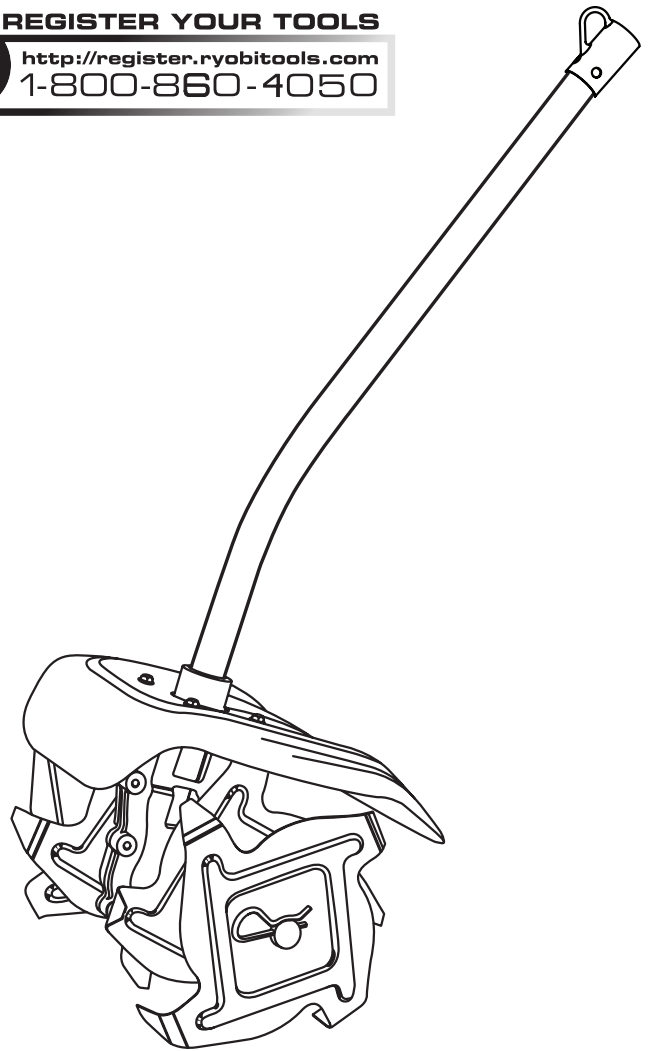




OPERATOR'S MANUAL
MANUEL D'UTILISATION
MANUAL DEL OPERADOR

CULTIVATOR ATTACHMENT
ACCESSOIRE CULTIVATEUR
ACCESORIO PARA CULTIVADORA

RY15550



Your cultivator attachment has been engineered and manufactured to our high standard for dependability, ease of operation, and operator safety. When properly cared for, it will give you years of rugged, trouble-free performance.

WARNING: To reduce the risk of injury, the user must read and understand the operator's manual before using this product.

Thank you for your purchase.

SAVE THIS MANUAL FOR FUTURE REFERENCE

L'accessoire cultivateur a été conçu et fabriqué conformément aux strictes normes de fiabilité, simplicité d'emploi et sécurité d'utilisation. Correctement entretenu, il vous donnera des années de fonctionnement robuste et sans problème.

AVERTISSEMENT : Pour réduire les risques de blessures, l'utilisateur doit lire et veiller à bien comprendre le manuel d'utilisation avant d'employer ce produit.

Merci de votre achat.

**CONSERVER CE MANUEL POUR
FUTURE RÉFÉRENCE**

Su nuevo accesorio para cultivadora ha sido diseñado y fabricado de conformidad con estrictas normas de calidad para brindar fiabilidad, facilidad de uso y seguridad para el operador. Con el debido cuidado, le brindará muchos años de sólido y eficiente funcionamiento.

ADVERTENCIA: Para reducir el riesgo de lesiones, el usuario debe leer y comprender el manual del operador antes de usar este producto.

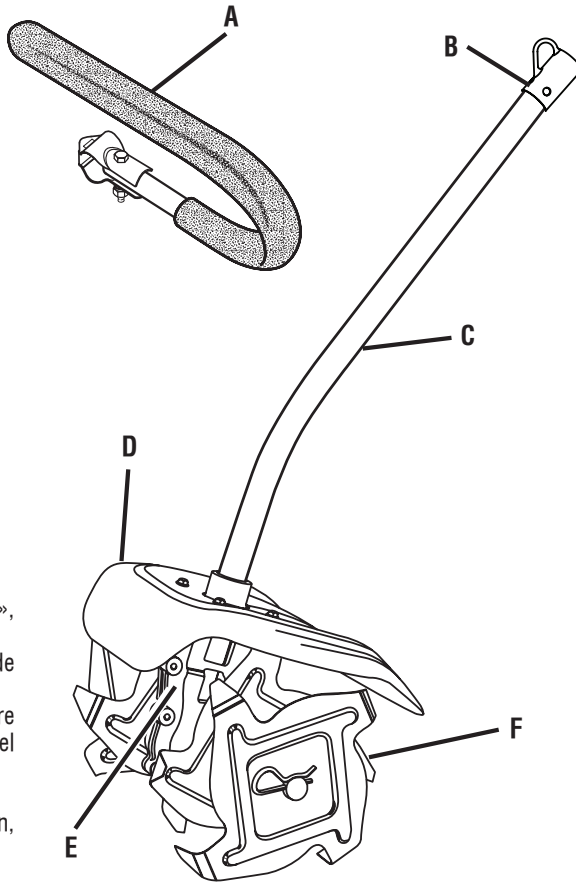
Le agradecemos su compra.

**GUARDE ESTE MANUAL PARA
FUTURAS CONSULTAS**

See this fold-out section for all of the figures referenced in the operator's manual.

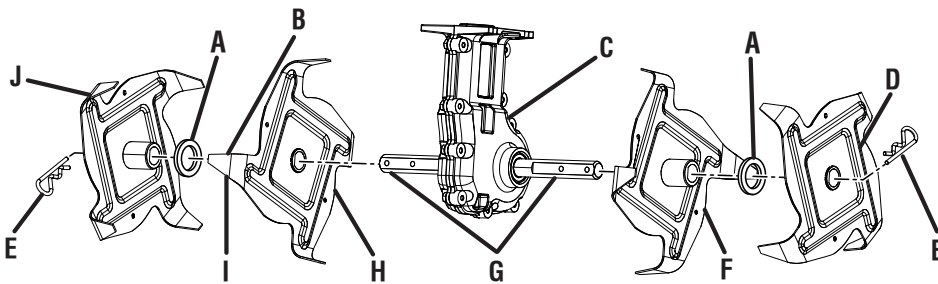
Consulter l'encart à volets afin d'examiner toutes les figures mentionnées dans le manuel d'utilisation.
 Consulte esta sección desplegable para ver todas las figuras a las que se hace referencia en el manual del operador.

Fig. 1



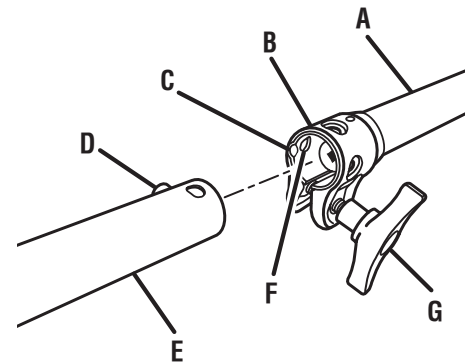
- A - "J" handle (poignée en « J », mango "J")
- B - Hanger cap (capuchon de suspension, tapa de suspensión)
- C - Cultivator attachment shaft (arbre de l'accessoire cultivateur, eje del accesorio para cultivadora)
- D - Shield (écran, pantalla)
- E - Gear box (boîte de transmission, caja de engranajes)
- F - Tines (lames dentées, aspas)

Fig. 2



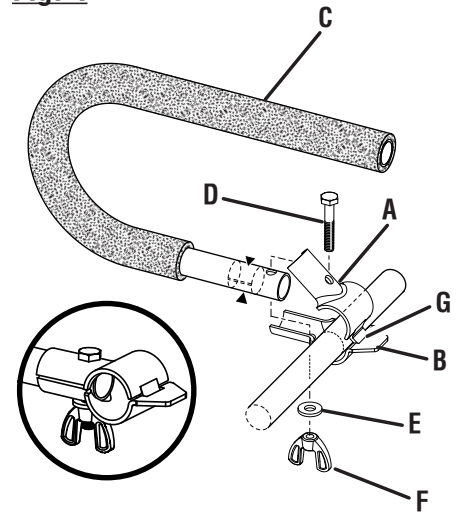
- A - Felt washer (rondelle de feutre, arandela de fieltro)
- B - Flat edge (bord plat, borde plano)
- C - Gear box (boîte d'engrenages, caja de engranajes)
- D - Tine A (lame A, aspas A)
- E - Hitch pin (goupille de sûreté, pasador del enganche)
- F - Tine B (lame B, aspas B)
- G - Tine shaft (arbre de lames, eje de las aspas)
- H - Tine C (lame C, aspas C)
- I - Angled edge (bord biseauté, borde angular)
- J - Tine D (lame D, aspas D)

Fig. 3



- A - Power head shaft (arbre moteur, cabezal motor eje)
- B - Coupler (coupleur, acoplador)
- C - Guide recess (renforcement du guide, hueco guía)
- D - Button (bouton, botón)
- E - Attachment shaft (arbre de l'accessoire, eje del accesorio)
- F - Positioning hole (trou de positionnement, orificio de posicionamiento)
- G - Knob (bouton, perilla)

Fig. 4



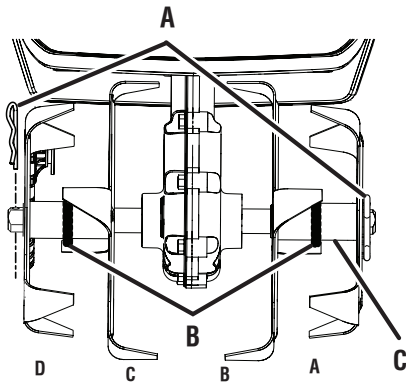
- A - Top clamp (collier supérieur, abrazadera superior)
- B - Bottom clamp (collier inférieure, abrazadera inferior)
- C - J-handle (poignée en « J », mango "J")
- D - Bolt (boulon, perno)
- E - Flat washer (rondelle plate, arandela plana)
- F - Wing nut (écrou à oreilles, tuerca de mariposa)
- G - Tab (ergot, orejeta)

Fig. 5



Fig. 6

**REGULAR TINE PATTERN / DISPOSITION
NORMALE DES LAMES DENTÉES /
PATRÓN DE ASPAS REGULAR**

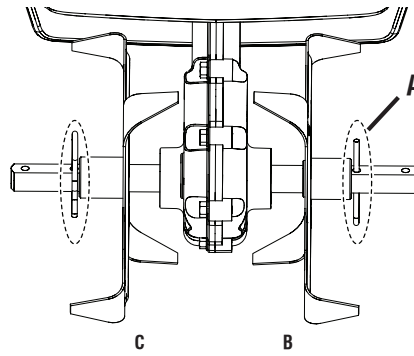


**FRONT VIEW / VUE AVANT / VISTA DE
FRENTE**

- A - Hitch pin (goupille de sûreté, pasador del enganche)
- B - Felt washer (rondelle de feutre, arandela de fieltro)
- C - Tine hub (moyeu de lame dentée, cubo de aspas)

Fig. 7

**NARROW TINE PATTERN / DISPOSITION
ÉTROIT DES DENTS / PATRÓN DE ASPAS
ESTRECHO**

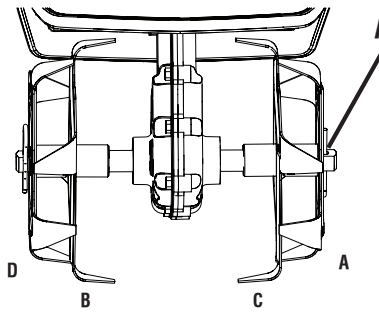


**FRONT VIEW / VUE AVANT / VISTA DE
FRENTE**

- A - Hitch pin (goupille de sûreté, pasador del enganche)

Fig. 8

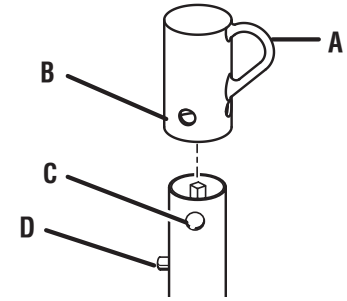
**STONY OR ROCKY SOIL TINE PATTERN
/ DISPOSITION DES LAMES POUR SOL
PIERREUX OU ROCHEUX / PATRÓN DE
ASPAS PARA SUELO PEDREGOSO O
ROCOSO**



**FRONT VIEW / VUE AVANT / VISTA DE
FRENTE**

- A - Hitch pin (goupille de sûreté, pasador del enganche)

Fig. 9



- A - Hanger cap (capuchon de suspension, tapa de suspensión)
- B - Hole (trou, orificio)
- C - Secondary hole (trou secondaire, orificio secundario)
- D - Button (bouton, botón)

TABLE OF CONTENTS

TABLE DES MATIÈRES / ÍNDICE DE CONTENIDO

■ Introduction	2
Introduction / Introducción	
■ General Safety Rules	3
Règles de sécurité générales / Reglas de seguridad generales	
■ Specific Safety Rules.....	4
Règles de sécurité particulières / Reglas de seguridad específicas	
■ Symbols.....	5
Symboles / Símbolos	
■ Features.....	6
Caractéristiques / Características	
■ Assembly	6-7
Assemblage / Armado	
■ Operation.....	8
Utilisation / Funcionamiento	
■ Maintenance	9
Entretien / Mantenimiento	
■ Warranty	10
Garantie / Garantía	
■ Illustrated Parts List.....	12-13
Liste des pièces illustrées / Lista de piezas ilustradas	
■ Parts Ordering and Service	Back Page
Commande de pièces et réparation / Pedidos de piezas y servicio	Page arrière / Pág. posterior

INTRODUCTION

INTRODUCTION / INTRODUCCIÓN

This product has many features for making its use more pleasant and enjoyable. Safety, performance, and dependability have been given top priority in the design of this product making it easy to maintain and operate.

* * *

Ce produit offre de nombreuses fonctions destinées à rendre son utilisation plus plaisante et satisfaisante. Lors de la conception de ce produit, l'accent a été mis sur la sécurité, les performances et la fiabilité, afin d'en faire un outil facile à utiliser et à entretenir.

* * *

Este producto ofrece numerosas características para hacer más agradable y placentero su uso. En el diseño de este producto se ha conferido prioridad a la seguridad, el desempeño y la fiabilidad, por lo cual se facilita su manejo y mantenimiento.

GENERAL SAFETY RULES

WARNING:


Read and understand all instructions. Failure to follow all instructions listed below may result in electric shock, fire, and/or serious personal injury.

SAVE THESE INSTRUCTIONS

- Read these instructions and the instructions for the power head thoroughly before using cultivator.
- Know the tool. Read and understand the operator's manual and observe the warnings and instruction labels affixed to the tool.
- Do not allow children or untrained individuals to use this unit.
- Always wear eye protection with side shields marked to comply with ANSI Z87.1, along with hearing protection when operating this unit.
- Wear heavy long pants, boots, and gloves. Do not wear loose fitting clothing, short pants, jewelry of any kind, sandals, or go barefoot.
- Secure long hair so it is above shoulder level to prevent entanglement in any moving parts.
- Keep all bystanders, children, and pets at least 50 ft. away.
- Stay alert, watch what you are doing, and use common sense when operating a power tool. Do not use tool while tired or under the influence of drugs, alcohol, or medication. A moment of inattention while operating power tools may result in serious personal injury.
- Do not operate in poor lighting.
- Do not overreach. Keep proper footing and balance at all times. Proper footing and balance enables better control of the tool in unexpected situations.
- Keep all parts of your body away from any moving part.
- Inspect unit before each use for loose fasteners and damaged or missing parts. Correct before using the cultivator attachment. Failure to do so can cause serious injury.
- Use only original manufacturer's replacement parts. Failure to do so may cause poor performance, possible injury, and will void your warranty.
- Do not, under any circumstance, use any attachment or accessory on this product, which was not provided with the product, or identified as appropriate for use with this product in the operator's manual.
- Avoid dangerous environments. Do not use the attachment in damp or wet locations.
- Do not use in rain.
- Use the right attachment. Do not use attachment for any job except that for which it is intended.

- Do not touch areas around the muffler or cylinder of a gas power head. These parts get hot from operation. Contact with hot surfaces could result in possible serious personal injury.
- Always stop the engine or motor and remove the spark plug wire or disconnect from the power supply before making any adjustments or repairs except for carburetor adjustments.

WHEN USING AN ELECTRIC POWER HEAD:

- Do not leave appliance when plugged in. Unplug from outlet when not in use and before servicing.
- Do not allow to be used as a toy. Close attention is necessary when used by or near children.
- Use only as described in this manual. Use only manufacturer's recommended attachments.
- Do not use with damaged cord or plug. If appliance is not working as it should, has been dropped, damaged, left outdoors, or dropped into water, return it to a service center.
- Do not pull or carry by cord, use cord as a handle, close a door on cord, or pull cord around sharp edges or corners. Do not run appliance over cord. Keep cord away from heated surfaces.
- Do not unplug by pulling on cord. To unplug, grasp the plug, not the cord.
- Do not handle plug or appliance with wet hands.
- Do not put any object into openings. Do not use with any opening blocked; keep free of dust, lint, hair, and anything that may reduce air flow.
- Keep hair, loose clothing, fingers, and all parts of body away from openings and moving parts.
- Turn off all controls before unplugging.
- This appliance is provided with double insulation. Use only identical replacement parts. See Instructions for Servicing of Double-Insulated Appliances.
- **SERVICING OF DOUBLE-INSULATED APPLIANCES.** A double-insulated appliance is marked with one or more of the following: The words "DOUBLE INSULATION" or "DOUBLE INSULATED" or the double insulation symbol (square within a square).  In a double-insulated appliance, two systems of insulation are provided instead of grounding. No grounding means is provided on a double-insulated appliance, nor should a means for grounding be added to the appliance. Servicing a double-insulated appliance requires extreme care and knowledge of the system, and should be done only by qualified service personnel. Replacement parts for a double-insulated appliance must be identical to the parts they replace.

SPECIFIC SAFETY RULES




- Do not use near underground electric cables, telephone lines, pipes, or hoses. If in doubt, contact your utility or telephone company to locate underground services.
- Rotating tines can cause severe injury, keep all body parts away from rotating tines.
- Use extreme caution when reversing or pulling the machine towards you.
- Always be sure of your footing; keep a firm hold on the handles and walk; never run.
- If the cultivator should start to vibrate abnormally or become noisy, stop the motor and check immediately for the cause. Abnormal noise is generally a warning of trouble.
- Keep all fasteners tight to be sure the cultivator is in safe working condition.
- Check that the hitch pins are fully inserted on the tine shaft before each use.
- Do not operate power equipment after it has been dropped or damaged. Return it to your nearest authorized servicing dealer for inspection and repair.
- Stop the engine or motor whenever you leave the cultivator, or when making any repairs or inspections.
- Make sure all proper guards and other safety devices are properly and securely attached before using this product.
- Be extremely careful when tilling in hard ground. The tines could catch in the ground and propel the cultivator forward.
- Do not overload the capacity of the machine by attempting to till too deep at too fast a speed.
- Inspect the area where the equipment is to be used and remove all foreign objects.
- Keep hands, feet, and other body parts away from rotating parts.
- Before storing the unit, allow the engine to cool.
- When not in use, store the cultivator indoors in a dry place which is inaccessible to children.
- Always stop the engine or motor and remove the spark plug wire or disconnect from the power supply before installing attachments or making any adjustments.
- Save these instructions. Refer to them frequently and use them to instruct others who may use this tool. If you loan someone this tool, loan them these instructions also to prevent misuse of the product and possible injury.

NOTE: SEE YOUR POWER HEAD OPERATOR'S MANUAL FOR ADDITIONAL SPECIFIC SAFETY RULES.






SAVE THESE INSTRUCTIONS

SYMBOLS

The following signal words and meanings are intended to explain the levels of risk associated with this product.

SYMBOL	SIGNAL	MEANING
	DANGER:	Indicates an imminently hazardous situation, which, if not avoided, will result in death or serious injury.
	WARNING:	Indicates a potentially hazardous situation, which, if not avoided, could result in death or serious injury.
	CAUTION:	Indicates a potentially hazardous situation, which, if not avoided, may result in minor or moderate injury.
	NOTICE:	(Without Safety Alert Symbol) Indicates important information not related to an injury hazard, such as a situation that may result in property damage.

Some of the following symbols may be used on this product. Please study them and learn their meaning. Proper interpretation of these symbols will allow you to operate the tool better and safer.

SYMBOL	NAME	EXPLANATION
	Safety Alert Symbol	Precautions that involve your safety.
	Read Operator's Manual	Always wear eye protection with side shields marked to comply with ANSI Z87.1, along with hearing protection when operating this product.
	Eye and Hearing Protection	Wear eye protection which is marked to comply with ANSI Z87.1 as well as hearing protection when operating this equipment.
	Keep Bystanders Away	Keep all bystanders at least 50 ft. away.
	Rotating Tines	Danger — Keep hands and feet away from rotating tines. Rotating tines will cause injury.

FEATURES

PRODUCT SPECIFICATIONS

Tine Size.....	8 in.
Tilling Depth	7-3/4 in.
Tilling Width.....	7-10 in.
Weight	13.5 lbs.

KNOW YOUR CULTIVATOR ATTACHMENT

See Figure 1.

The safe use of this product requires an understanding of the information on the product and in this operator's manual as well as a knowledge of the project you are attempting. Before use of this product, familiarize yourself with all operating features and safety rules.

ASSEMBLY

UNPACKING

This product requires assembly.

- Carefully remove the items from the box. Make sure that all items listed in the packing list are included.

WARNING:

Do not use this product if any parts on the Packing List are already assembled to your product when you unpack it. Parts on this list are not assembled to the product by the manufacturer and require customer installation. Use of a product that may have been improperly assembled could result in serious personal injury.

- Inspect the product carefully to make sure no breakage or damage occurred during shipping.
- Do not discard the packing material until you have carefully inspected and satisfactorily operated the tool.
- If any parts are damaged or missing, please call 1-800-860-4050 for assistance.

PACKING LIST

Ryobi® Expand-it™ Cultivator Attachment
J-Handle with Mounting Hardware
Hitch Pins (2)
Felt Washers (2)
Outer Tines (2)
Inner Tines (2)
Operator's Manual

WARNING:

If any parts are damaged or missing, do not operate this product until the parts are replaced. Use of this product with damaged or missing parts could result in serious personal injury.

WARNING:

Do not attempt to modify this product or create accessories not recommended for use with this product. Any such alteration or modification is misuse and could result in a hazardous condition leading to possible serious personal injury.

WARNING:

Do not connect to power head until assembly is complete. Failure to comply could result in accidental starting and possible serious personal injury.

INSTALLING THE TINES

See Figure 2.

NOTE: Install the tines before the attachment is connected to the power head.

The cultivator has four tines — two inner tines labeled B and C, and two outer tines labeled A and D. For correct operation of the unit, the tines must be installed in the correct orientation.

- Place tine C on the tine shaft to the left of the gear box. The stamped side of the tine should face away from the gear box.
- Place tine B on the tine shaft to the right of the gear box. The stamped side of the tine should face away from the gear box.
- Place a felt washer on each side of the tine shaft, and slide to rest against the inner tines.
- Place the outer tine labeled D on the left side of the tine shaft. The stamped side should face in toward tine C.
- Place the outer tine labeled A on the right side of the tine shaft. The stamped side should face in toward tine B.

NOTE: When installed correctly, the angled edge of the tine blades should face the ground.

- To secure the tines to the tine shaft, insert the hitch pin into the holes located on either side of the tine shaft.

ASSEMBLY

NOTE: The unit will not operate properly if the tines are installed incorrectly. If you notice a problem with the cultivating operation of the unit, check for proper tine positioning.

CAUTION:

Wear heavy gloves when installing, removing, or adjusting the cultivator tines. With wear, the cultivator tines may become sharper.

JOINING THE POWER HEAD TO THE CULTIVATOR ATTACHMENT

See Figure 3.

The cultivator attachment connects to the power head by means of a coupler device.

WARNING:

Never attach or adjust any attachment while power head is running. Failure to stop the engine or motor may cause serious personal injury.

To install the attachment:

- Remove the spark plug wire or disconnect from the power supply.
- Remove the hanger cap from the attachment.
- Loosen the knob on the coupler of the power head shaft.
- Push in the button located on the shaft of the cultivator attachment.
- Align the button with the guide recess on the power head coupler and slide the two shafts together. Rotate attachment shaft until button locks into the positioning hole.

NOTE: If the button does not release completely in the positioning hole, the shaft is not locked into place. Slightly rotate from side to side until the button is locked into place.

- Tighten the knob securely.

WARNING:

Be certain the knob is fully tightened before operating equipment; check it periodically for tightness during use to avoid serious injury.

To remove:

- Stop the engine or motor and remove the spark plug wire or disconnect from the power supply.
- Loosen the knob.
- Push in the button and twist the shafts to remove and separate ends.

ATTACHING THE J-HANDLE

See Figure 4.

The J-handle included with the cultivator attachment provides a barrier to assist the operator in maintaining a safe distance from the rotating tines. If the power head to which the cultivator attachment will be mounted does not have such a handle, install handle provided.

- Place the bottom J-handle clamp on the drive shaft as shown. Insert the tab on the top J-handle clamp into the slot on the bottom J-handle clamp.
- Insert the end of the J-handle between the clamps so that holes align and handle will be located to the operator's left.
- Push the bolt through the clamp and handle.
- Install flat washer and wing nut to hold the assembly in place.
- Adjust the position of the handle.
- Tighten the wing nut securely.

OPERATION

WARNING:

Do not allow familiarity with this product to make you careless. Remember that a careless fraction of a second is sufficient to inflict serious injury.

WARNING:

Always wear eye protection with side shields marked to comply with ANSI Z87.1, along with hearing protection. Failure to do so could result in objects being thrown into your eyes and other possible serious injuries.

WARNING:

Do not use any attachments or accessories not recommended by the manufacturer of this product. The use of attachments or accessories not recommended can result in serious personal injury.

APPLICATIONS

You may use this product for the purposes listed below:

- Breaking up garden soil to prepare seed beds for planting
- Shallow cultivating to remove weeds

OPERATING THE CULTIVATOR

See Figure 5.

Hold the cultivator attachment with your right hand on the rear handle and your left hand on the front handle. Keep a firm grip with both hands while in operation.

In nearly all types of soil, it is not necessary or recommended to operate the cultivator attachment at full throttle. Doing so consistently will shorten the life of the engine and drivetrain. Partial throttle will usually be sufficient.

WARNING:

Keep hands and feet away from the rotating tines. Rotating tines will cause serious personal injury.

NOTE: The tines of the cultivator may rotate when the engine or motor is started.

- Move the cultivator to the work area before starting the engine or motor.
- With the cultivator on flat level ground, start the engine or motor of the power head. Refer to the operator's manual of your power head.
- Hold the handles firmly, depress the trigger to increase the engine speed to a moderate speed, then lower the cultivator so the tines can make contact with the ground.
- Pull the cultivator carefully toward you while it is digging into the soil's surface.

NOTE: Pulling the cultivator carefully toward you while it is digging into the soil will reduce your effort and make the tilling easier.

WARNING:

To avoid personal injury, never carry the cultivator while the engine or motor is running. Move the cultivator to the work area before starting the engine or motor.

WARNING:

After extended periods of use, the cultivator gearbox may become hot. To avoid burns, do not touch the gearbox until it has had time to cool down.

MAINTENANCE

WARNING:

When servicing, use only identical replacement parts. Use of any other parts may create a hazard or cause product damage.

WARNING:

Always wear eye protection with side shields marked to comply with ANSI Z87.1, along with hearing protection. Failure to do so could result in objects being thrown into your eyes and other possible serious injuries.

WARNING:

Before inspecting, cleaning, or servicing the machine, shut off engine or motor, wait for all moving parts to stop, and disconnect spark plug wire and move it away from spark plug or disconnect from power supply. Failure to follow these instructions can result in serious personal injury or property damage.

GENERAL MAINTENANCE

Avoid using solvents when cleaning plastic parts. Most plastics are susceptible to damage from various types of commercial solvents and may be damaged by their use. Use clean cloths to remove dirt, dust, oil, grease, etc.

WARNING:

Do not at any time let brake fluids, gasoline, petroleum-based products, penetrating oils, etc., come in contact with plastic parts. Chemicals can damage, weaken or destroy plastic which may result in serious personal injury.

You can often make adjustments and repairs described here. For other repairs, have the product serviced by an authorized service dealer.

TINE MAINTENANCE

- Occasionally apply a few drops of oil to the shaft to keep the tines free on the shaft.
- If tines are being replaced due to wear, all four tines should be replaced as a set.

REGULAR TINE PATTERN

See Figure 6.

For most applications, the regular tine pattern will work best. This is the pattern set by the factory.

NOTE: Pay attention to the hub position in relationship to the tines.

NARROW TINE PATTERN

See Figure 7.

When tilling in confined areas or rows, a narrow tine pattern may be required. For a narrow tine pattern:

- Remove hitch pin from each side of the cultivator.
- Remove the left and right outer tines (A and D).
- Remove felt washers.
- Replace hitch pin in alternate holes on each side of shaft.

NOTE: Do not force the tines on or off the shaft. If you experience difficulties when removing the tines, apply some penetrating oil on the shaft. When reinstalling the tines, make sure to clean and oil the shaft and the tine hubs.

STONY OR ROCKY SOIL TINE PATTERN

See Figure 8.

If you are tilling in stony or rocky soil and experience continual rock jams, there is an additional tine pattern that will help correct the problem. In the stony soil tine pattern, the center gap is wider than in the regular tine pattern. This will require additional passes to till the area. For a stony soil tine pattern:

- Remove hitch pin from each side of the cultivator.
- Remove tines and felt washers from the shaft.
- Reinstall tines B and C on opposite sides of the shaft. When facing the cultivator attachment, tine B will now be on the left and tine C will be on the right.
- Reinstall felt washers.
- Reinstall tines A and D. Tines D and B will now be on one side, with tines A and C on the other.
- Replace hitch pins.

ATTACHING THE STORAGE HANGER

See Figure 9.

There are two ways to hang the attachment for storage.

- To use the hanger cap, push in the button and place the hanger cap over the end of the attachment shaft. Slightly rotate the cap from side to side until the button locks into place.
- The secondary hole in the attachment shaft can be used for hanging purposes as well.

STORING THE ATTACHMENT

- Store the attachment indoors in a well-ventilated place that is inaccessible to children.
- Keep away from corrosive agents such as garden chemicals and de-icing salts.

WARRANTY

LIMITED WARRANTY STATEMENT

Techtronic Industries Power Equipment, warrants to the original retail purchaser that this RYOBI® brand outdoor product is free from defect in material and workmanship and agrees to repair or replace, at Techtronic Industries Power Equipment's, discretion, any defective product free of charge within these time periods from the date of purchase.

- Three years if the product is used for personal, family or household use;
- 90 days, if used for any other purpose, such as commercial or rental.

This warranty extends to the original retail purchaser only and commences on the date of the original retail purchase.

Any part of this product found in the reasonable judgment of Techtronic Industries Power Equipment to be defective in material or workmanship will be repaired or replaced without charge for parts and labor by an authorized service center for RYOBI® brand outdoor products (Authorized Ryobi Service Center).

The product, including any defective part, must be returned to an authorized Ryobi service center within the warranty period. The expense of delivering the product to the service center for warranty work and the expense of returning it back to the owner after repair or replacement will be paid by the owner. Techtronic Industries Power Equipment's, responsibility in respect to claims is limited to making the required repairs or replacements and no claim of breach of warranty shall be cause for cancellation or rescission of the contract of sale of any RYOBI® brand outdoor product. Proof of purchase will be required by the dealer to substantiate any warranty claim. All warranty work must be performed by an authorized service dealer.

This warranty is limited to ninety (90) days from the date of original retail purchase for any RYOBI® brand outdoor product that is used for rental or commercial purposes, or any other income-producing purpose.

This warranty does not cover any product that has been subject to misuse, neglect, negligence, or accident, or that has been operated in any way contrary to the operating instructions as specified in this operator's manual. This warranty does not apply to any damage to the product that is the result of improper maintenance or to any product that has been altered or modified. The warranty does not extend to repairs made necessary by normal wear or by the use of parts or accessories which are either incompatible with the RYOBI® brand outdoor product or adversely affect its operation, performance, or durability. In addition, this warranty does not cover:

- A. Tune-ups – Spark Plugs, Carburetor, Carburetor Adjustments, Ignition, Filters
- B. Wear items – Bump Knobs, Outer Spools, Cutting Lines, Inner Reels, Starter Pulleys, Starter Ropes, Drive Belts, Tines, Felt Washers, Hitch Pins, Mulching Blades, Blower Fans, Blower and Vacuum Tubes, Vacuum Bag and Straps, Guide Bars, Saw Chains

Techtronic Industries Power Equipment, reserves the right to change or improve the design of any RYOBI® brand outdoor product without assuming any obligation to modify any product previously manufactured.

ALL IMPLIED WARRANTIES ARE LIMITED IN DURATION TO THE STATED WARRANTY PERIOD. ACCORDINGLY, ANY SUCH IMPLIED WARRANTIES INCLUDING MERCHANTABILITY, FITNESS FOR A PARTICULAR PURPOSE, OR OTHERWISE, ARE DISCLAIMED IN THEIR ENTIRETY AFTER THE EXPIRATION OF THE APPROPRIATE THREE-YEAR OR NINETY-DAY WARRANTY PERIOD. TECHTRONIC INDUSTRIES POWER EQUIPMENT'S, OBLIGATION UNDER THIS WARRANTY IS STRICTLY AND EXCLUSIVELY LIMITED TO THE REPAIR OR REPLACEMENT OF DEFECTIVE PARTS AND TECHTRONIC INDUSTRIES POWER EQUIPMENT, DOES NOT ASSUME OR AUTHORIZE ANYONE TO ASSUME FOR THEM ANY OTHER OBLIGATION. SOME STATES DO NOT ALLOW LIMITATIONS ON HOW LONG AN IMPLIED WARRANTY LASTS, SO THE ABOVE LIMITATION MAY NOT APPLY TO YOU. TECHTRONIC INDUSTRIES POWER EQUIPMENT, ASSUMES NO RESPONSIBILITY FOR INCIDENTAL, CONSEQUENTIAL, OR OTHER DAMAGES INCLUDING, BUT NOT LIMITED TO, EXPENSE OF RETURNING THE PRODUCT TO AN AUTHORIZED RYOBI SERVICE CENTER AND EXPENSE OF DELIVERING IT BACK TO THE OWNER, MECHANIC'S TRAVEL TIME, TELEPHONE OR TELEGRAM CHARGES, RENTAL OF A LIKE PRODUCT DURING THE TIME WARRANTY SERVICE IS BEING PERFORMED, TRAVEL, LOSS OR DAMAGE TO PERSONAL PROPERTY, LOSS OF REVENUE, LOSS OF USE OF THE PRODUCT, LOSS OF TIME, OR INCONVENIENCE. SOME STATES DO NOT ALLOW THE EXCLUSION OR LIMITATION OF INCIDENTAL OR CONSEQUENTIAL DAMAGES, SO THE ABOVE LIMITATION OR EXCLUSION MAY NOT APPLY TO YOU.

This warranty gives you specific legal rights, and you may also have other rights which vary from state to state.

This warranty applies to all RYOBI® brand outdoor products manufactured by or for Techtronic Industries Power Equipment, and sold in the United States and Canada.

To locate your nearest Authorized Ryobi Service Center, dial 1-800-860-4050.

RÈGLES DE SÉCURITÉ GÉNÉRALES



AVERTISSEMENT :

Lire et veiller à bien comprendre toutes les instructions.

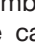
Le non-respect de toutes les instructions ci-dessous peut entraîner un choc électrique, un incendie et/ou des blessures graves.

CONSERVER CES INSTRUCTIONS

- Lire attentivement ces instructions et celles du moteur avant d'utiliser cet accessoire.
- Apprendre à connaître l'outil. Lire et veiller à bien comprendre le manuel de l'opérateur et observer les avertissements et les instructions des autocollants apposés sur l'outil.
- Ne pas laisser des enfants ou personnes n'ayant pas reçu une formation adéquate utiliser cet outil.
- Pour utiliser cet appareil, toujours porter une protection oculaire avec écrans latéraux certifiée conforme à la norme ANSI Z87.1, avec protection auditive.
- Porter des pantalons longs, des chaussures de travail et des gants épais. Ne pas porter de vêtements amples, shorts, bijoux quels qu'ils soient, des sandales et ne pas travailler pieds nus.
- Attacher les cheveux longs pour les maintenir au-dessus des épaules, afin qu'ils ne se prennent pas dans les pièces en mouvement.
- Garder les badauds, enfants et animaux domestiques à une distance minimum de 15 m (50 pi).
- Rester attentif, prêter attention au travail, et faire preuve de bon sens lors de l'utilisation de tout outil motorisé. Ne pas utiliser cet outil en état de fatigue ou sous l'influence d'alcool, de drogues ou de médicaments. Un moment d'inattention pendant l'utilisation d'un outil motorisé peut entraîner des blessures graves.
- Ne pas travailler sous un éclairage insuffisant.
- Ne pas travailler hors de portée. Toujours se tenir bien campé et en équilibre. Des pieds bien campés et un bon équilibre permettent de mieux contrôler l'outil en cas de situation imprévue.
- Garder toutes les parties du corps à l'écart des pièces en mouvement.
- Inspecter l'appareil avant chaque utilisation pour s'assurer qu'il n'y a pas de fixations desserrées ou de pièces endommagées ou manquantes. Effectuer les corrections requises avant d'utiliser l'accessoire cultivateur. Ne pas prendre cette précaution peut entraîner des risques de blessures graves.
- Utiliser exclusivement des pièces de rechange d'origine. Toute dérogation peut entraîner un mauvais fonctionnement, des blessures graves et l'annulation de la garantie.
- N'utiliser en aucun cas un accessoire non fourni avec le produit, ou non indiqué comme pouvant être utilisé sur l'outil dans le manuel d'utilisation.
- Éviter les environnements dangereux. Ne pas utiliser l'accessoire dans des endroits humides ou mouillés.
- Ne pas utiliser sous la pluie.
- Utiliser l'accessoire approprié. Ne pas utiliser l'accessoire dans une application pour laquelle il n'a pas été prévu.

- Ne pas toucher les alentours de l'échappement ou du cylindre de l'ensemble moteur à essence. Ces pièces deviennent très chaudes en cours de fonctionnement. Le contact avec des surfaces brûlantes pourrait entraîner des blessures graves.
- Toujours arrêter le moteur et débrancher le fil de la bougie ou débrancher de la prise secteur avant d'effectuer tout entretien ou réglage, à l'exception des réglages du carburateur.

AU MOMENT D'UTILISER UN ENSEMBLE MOTEUR ÉLECTRIQUE :

- Ne pas laisser l'appareil branché sans surveillance; le débrancher lorsqu'il n'est pas utilisé et avant de procéder à son entretien.
- Cet appareil n'est pas un jouet. Porter une attention particulière en présence d'enfants.
- Utiliser le produit tel que décrit dans le présent manuel. Utiliser uniquement des accessoires recommandés par le fabricant.
- Ne pas utiliser l'appareil si le cordon ou la fiche est endommagé. Si l'appareil ne fonctionne pas correctement, s'il a été échappé, s'il est endommagé ou s'il est tombé dans l'eau, envoyez le au centre de réparations.
- Utiliser le produit tel que décrit dans le présent manuel. Utiliser uniquement des accessoires recommandés par le fabricant.
- Ne pas utiliser l'appareil si le cordon ou la fiche est endommagé.
- Ne pas manipuler la fiche ou l'appareil avec les mains mouillées.
- Ne placer aucun objet dans les ouvertures. Ne pas utiliser le produit si l'une ou l'autre des ouvertures est obstruée. Enlever toute la poussière, toutes les peluches et tous les cheveux, ou tout autre élément pouvant réduire la circulation de l'air.
- Garder les cheveux, les vêtements amples, les doigts ainsi que toutes les parties du corps à l'écart des ouvertures et des pièces en mouvement.
- Si l'appareil n'est pas utilisé, mettre les commandes à la position d'arrêt avant de le débrancher.
- Cet appareil est doté d'une double isolation. Utiliser uniquement des pièces de remplacement identiques. Lire les instructions sur l'entretien des appareils à double isolation.
- **ENTRETIEN DES APPAREILS À DOUBLE ISOLATION.** Les mots « DOUBLE ISOLATION » ou le symbole de la double isolation  (un carré dans un autre carré) sont indiqués sur les appareils à double isolation. Un appareil à double isolation comporte deux systèmes d'isolation au lieu d'un système de mise à la terre. Aucun appareil à double isolation ne comprend ni ne requiert de dispositif de mise à la terre. La réparation d'un appareil à double isolation exige des précautions extrêmes et une bonne connaissance du système; c'est pourquoi elle doit être confiée à un technicien qualifié. Utiliser exclusivement des pièces de remplacement identiques à celles d'origine.

RÈGLES DE SÉCURITÉ PARTICULIÈRES




- Ne pas utiliser à proximité de conduites, tuyaux, lignes téléphoniques ou câbles électriques souterrains. En cas de doute, contacter la compagnie d'électricité, de gaz, d'eau ou de téléphone pour identifier les services souterrains.
- Les dents tournantes peuvent entraîner de graves blessures. Garder toutes les parties du corps éloignées des dent tournantes.
- Faire extrêmement attention pour aller en arrière ou tirer la machine vers soi.
- Toujours travailler bien d'aplomb ; maintenir fermement les poignées et marcher ; ne jamais courir.
- Si le cultivateur se met à vibrer anormalement ou devient bruyant, arrêter le moteur et rechercher immédiatement la cause. Un bruit anormal annonce en général un problème.
- Maintenir tous les assemblages serrés et s'assurer de la bonne sécurité de fonctionnement du cultivateur.
- Vérifier avant chaque utilisation que les goupilles en épingle à cheveux sont bien insérées dans l'axe des lames dentées.
- Ne pas utiliser un outil à moteur ayant chuté ou été endommagé. Le confier au centre de réparations agréé le plus proche pour le faire inspecter et réparer.
- Toujours arrêter le moteur lorsque le cultivateur n'est plus utilisé et avant d'effectuer toute réparation ou inspection.
- Avant d'utiliser cet appareil, s'assurer que toutes les protections requises et les autres dispositifs de sécurité sont correctement et solidement fixés.
- Faire preuve de la plus grande prudence pour travailler une terre dure. Les dents pourraient se bloquer dans la terre et projeter le cultivateur vers l'avant.
- Ne pas surcharger la machine en essayant de travailler à une profondeur et une vitesse excessives.
- Inspecter la zone de travail et retirer tout corps étranger.
- Garder les mains, les pieds et les autres parties du corps éloignées des parties tournantes.
- Laisser le moteur refroidir avant de remiser l'outil.
- Lorsque le cultivateur n'est pas utilisé, le remiser à l'intérieur dans un endroit sec inaccessible aux enfants.
- Toujours arrêter le moteur et débrancher le fil de la bougie ou débrancher de la prise secteur avant d'installer des accessoires ou d'effectuer des réglages.
- Conserver ces instructions. Les consulter fréquemment et les utiliser pour instruire les autres utilisateurs éventuels. Si cet outil est prêté, il doit être accompagné de ces instructions, afin d'éviter un usage incorrect et d'éventuelles blessures.

NOTE : CONSULTEZ LE MANUEL D'UTILISATION DE BLOC MOTEUR POUR DE TÊTE POUR DES SUPPLEMENTAIRE RÈGLES DE SÉCURITÉ PARTICULIÈRES.






CONSERVER CES INSTRUCTIONS

SYMBOLES

Les termes de mise en garde suivants et leur signification ont pour but d'expliquer le degré de risques associé à l'utilisation de ce produit.

SYMBOLE	SIGNAL	SIGNIFICATION
	DANGER :	Indique une situation extrêmement dangereuse qui, si elle n'est pas évitée, aura pour conséquences des blessures graves ou mortelles.
	AVERTISSEMENT :	Indique une situation potentiellement dangereuse qui, si elle n'est pas évitée, pourrait entraîner des blessures graves ou mortelles.
	ATTENTION :	Indique une situation potentiellement dangereuse qui, si elle n'est pas évitée, pourrait entraîner des blessures légères ou de gravité modérée.
	AVIS :	(Sans symbole d'alerte de sécurité) Indique une information importante ne concernant pas un risque de blessure comme une situation pouvant occasionner des dommages matériels.

Certains des symboles ci-dessous peuvent être présents sur le produit. Veiller à les étudier et à apprendre leur signification. Une interprétation correcte de ces symboles permettra d'utiliser l'outil plus efficacement et de réduire les risques.

SYMBOLE	NOM	DÉSIGNATION / EXPLICATION
	Symbole d'alerte de sécurité	Précautions destinées à assurer la sécurité.
	Lire le manuel d'utilisation	Pour réduire les risques de blessures, l'utilisateur doit lire et veiller à bien comprendre le manuel d'utilisation avant d'utiliser ce produit.
	Protection oculaire, protection de l'ouïe	Toujours porter une protection oculaire avec écrans latéraux certifiée conforme à la norme ANSI Z87.1, avec protection auditive, lors de l'utilisation de produit.
	Ne laisser personne s'approcher	Garder les badauds à une distance de 15 m (50 pi) minimum.
	Dents tournantes	Danger — Garder les dents tournantes loin des mains et des pieds. Elles peuvent infliger des blessures.

CARACTÉRISTIQUES

FICHE TECHNIQUE

Dimensions des lames dentées 203,2 mm (8 po)
Profondeur de bêchage..... 196,9 mm (7-3/4 po)
Largeur de bêchage 177,8 à 254 mm (7 à 10 po)
Poids 6,1 kg (13,5 lb)

APPRENDRE À CONNAÎTRE L'ACCESSOIRE CULTIVATEUR

Voir la figure 1.

La sécurité d'utilisation de ce produit exige la compréhension des informations apposées sur le produit et contenues dans ce manuel d'utilisation, ainsi que la connaissance du travail à exécuter. Avant d'utiliser ce produit, se familiariser avec toutes ses fonctions et règles de sécurité.

ASSEMBLAGE

DÉBALLAGE

Ce produit doit être assemblé.

- Retirer soigneusement les articles du carton. S'assurer que toutes les pièces figurant sur la liste de contrôle sont incluses.

AVERTISSEMENT :

Ne pas utiliser le produit si, en le déballant, vous constatez que des éléments figurant dans la *Liste de contrôle d'expédition* sont déjà assemblés. Certaines pièces figurant sur cette liste n'ont pas été assemblées par le fabricant et exigent une installation. Le fait d'utiliser un produit qui a été assemblé de façon inadéquate peut entraîner des blessures.

- Examiner soigneusement l'outil pour s'assurer que rien n'a été brisé ou endommagé en cours de transport.
- Ne pas jeter les matériaux d'emballage avant d'avoir soigneusement examiné l'outil et avoir vérifié qu'il fonctionne correctement.
- Si des pièces sont manquantes ou endommagées, appeler le 1-800-860-4050.

LISTE DE CONTRÔLE D'EXPÉDITION

Accessoire cultivateur Ryobi® Expand-it™

Poignée en « J » avec quincaillerie de montage

Goupilles de sûreté (2)

Rondelles en feutre (2)

Lame dentée extérieure (2)

Lame dentée intérieur (2)

Manuel d'utilisation

AVERTISSEMENT :

Si des pièces manquent ou sont endommagées, ne pas utiliser cet produit avant qu'elles aient été remplacées. Le fait d'utiliser ce produit même s'il contient des pièces endommagées ou s'il lui manque des pièces peut entraîner des blessures graves.

AVERTISSEMENT :

Ne pas essayer de modifier cet produit ou de créer des accessoires non recommandés pour le produit. De telles altérations ou modifications sont considérées comme un usage abusif et peuvent créer des conditions dangereuses, risquant d'entraîner des blessures graves.

AVERTISSEMENT :

Ne pas enlever le fourreau avant que l'accessoire ne soit complètement assemblé et prêt à l'emploi. Le non-respect de ces mises en garde pourrait entraîner des blessures graves.

INSTALLATION DES LAMES

Voir la figure 2.

NOTE : Installer les lames dentées avant de fixer l'accessoire sur l'ensemble moteur.

Le cultivateur présente quatre lames – deux lames intérieures étiquetées B et C et deux lames extérieures étiquetées A et D. Pour assurer le bon fonctionnement de l'équipement, les lames doivent être installées dans le bon sens.

- Positionner la lame C sur l'arbre de lames sur la gauche de la boîte d'engrenages. Le côté marqué de la lame doit être opposé à la boîte d'engrenages.
- Positionner la lame B sur l'arbre de lames à la droite de la boîte d'engrenages. Le côté marqué de la lame doit être opposé à la boîte d'engrenages.
- Positionner une rondelle en feutre de chaque côté de l'arbre des lames et les glisser contre les lames intérieures.
- Positionner la lame extérieure étiquetée D sur le côté gauche de l'arbre de lames. Le côté marqué doit être face à la lame C.
- Positionner la lame extérieure étiquetée A sur le côté droit de l'arbre de lames. Le côté marqué doit être face à la lame B.

NOTE : Dans une installation correcte, le bord biseauté des lames dentées doit être face au sol.

ASSEMBLAGE

- Pour bloquer les lames sur l'arbre de lames, insérer la goupille de sûreté dans les trous d'un côté ou de l'autre de l'arbre de lames.

NOTE : L'équipement ne fonctionne pas correctement si les lames ne sont pas installées correctement. En cas de problème au niveau du travail du sol effectué avec l'équipement, vérifier le bon positionnement des lames.

ATTENTION :

Porter des gants épais pour installer, retirer ou régler les lames dentées du cultivateur. Avec l'usure, ils peuvent devenir plus tranchants.

CONNEXION DU BLOC-MOTEUR À L'ACCESSOIRE CULTIVATEUR

Voir la figure 3.

L'accessoire cultivateur se raccorde au bloc-moteur à l'aide d'un dispositif de couplage.

AVERTISSEMENT :

Ne jamais installer ou ajuster un accessoire lorsque le moteur tourne. Ceci pourrait causer des blessures graves.

Installation de l'accessoire :

- Débrancher le fil de la bougie ou débrancher de la prise secteur.
- Retirer le capuchon de suspension de l'accessoire
- Desserrer le bouton du coupleur du bloc-moteur.
- Appuyer sur le bouton se trouvant sur l'axe de l'accessoire cultivateur.
- Aligner le bouton avec la rainure de guidage sur le dispositif de couplage du bloc-moteur et glisser les deux arbres l'un dans l'autre. Tourner l'arbre de l'accessoire jusqu'à ce que le bouton de verrouillage s'engage dans le trou de positionnement.

NOTE : Si le bouton ne relâche pas complètement dans le trou de positionnement, l'arbre n'est pas verrouillé en place. Tourner légèrement les arbres dans les deux sens jusqu'à ce que le bouton s'engage complètement.

- Serrer fermement le bouton.

AVERTISSEMENT :

S'assurer que le bouton est bien serré avant d'utiliser l'outil, et le vérifier de temps à autre pour éviter le risque de blessures graves.

Retrait :

- Arrêter le moteur et débrancher le fil de la bougie ou débrancher de la prise secteur.
- Desserrer le bouton.
- Enfoncer le bouton et tourner les arbres pour retirer et séparer les extrémités.

FIXATION DE LA POIGNÉE EN J

Voir la figure 4.

La poignée en J fournie avec l'accessoire cultivateur offre une barrière permettant d'aider l'utilisateur à maintenir une distance de sécurité suffisante par rapport aux dents tournantes. Si le bloc-moteur sur lequel le cultivateur est monté ne comporte pas une telle poignée, installer la poignée fournie.

- Placer le collier inférieur de la poignée en J sur l'arbre d'entraînement, tel qu'illustré. Insérer l'ergot situé sur le collier supérieur de la poignée en J dans la fente du collier inférieur de la poignée en J.
- Insérer l'extrémité de la poignée en J entre les colliers de manière à ce que les trous soient alignés et que la poignée soit placée à la gauche de l'utilisateur.
- Insérer le boulon à travers le collier et la poignée.
- Installer la rondelle plate, la rondelle frein et l'écrou à oreilles pour maintenir l'ensemble en place.
- Placer la poignée à l'endroit indiqué par l'étiquette apposée sur le tube de l'arbre moteur.
- Serrer l'écrou à oreilles solidement.

UTILISATION

AVERTISSEMENT :

Ne pas laisser la familiarité avec cet produit faire oublier la prudence. Ne pas oublier qu'une fraction de seconde d'inattention peut entraîner des blessures graves.

AVERTISSEMENT :

Toujours porter une protection oculaire avec écrans latéraux certifiée conforme à la norme ANSI Z87.1, avec protection auditive. Si cette précaution n'est pas prise, des objets peuvent être projetés dans les yeux et d'autres lésions graves.

AVERTISSEMENT :

Ne pas utiliser d'outils ou accessoires non recommandés par le fabricant pour cet produit. L'utilisation de pièces et accessoires non recommandés peut entraîner des blessures graves.

APPLICATIONS

Cet produit peut être utilisé pour les applications ci-dessous :

- Travailler la terre à jardin pour préparer la couche de semis
- Grattage pour retirer les mauvaises herbes

UTILISATION DU CULTIVATEUR

Voir la figure 5.

Tenir le cultivateur avec la main droite sur la poignée arrière et la main gauche sur la poignée avant. Tenir fermement les deux poignées pendant le fonctionnement.

Dans pratiquement tous les types de terre, il n'est ni nécessaire ni conseillé de faire fonctionner le cultivateur à plein régime, afin d'éviter l'usure prématurée du moteur et de la transmission. Un fonctionnement à mi-régime est en général suffisant.

AVERTISSEMENT :

Garder les lames tournantes loin des mains et des pieds. Elles peuvent infliger de graves blessures corporelles.

NOTE : Les lames du cultivateur peuvent tourner au démarrage du moteur.

- Mettre le cultivateur dans la zone de travail avant de démarrer le moteur.
- Le cultivateur étant posé sur un sol plat et horizontal, démarrer le bloc-moteur. Consulter le manuel d'utilisation du bloc-moteur.
- Tenir fermement les poignées, appuyer sur l'accélérateur pour amener progressivement le moteur à une vitesse modérée, puis abaisser le cultivateur jusqu'à ce que les dents touchent la terre.
- Tirer doucement le cultivateur vers soi tandis qu'il s'enfonce dans la terre.

NOTE : Le fait de tirer doucement le cultivateur vers soi tandis qu'il s'enfonce dans la terre permet de réduire l'effort et de faciliter le travail du sol.

AVERTISSEMENT :

Pour éviter les blessures corporelles, ne jamais transporter le cultivateur avec le moteur en marche. Mettre le cultivateur dans la zone de travail avant de démarrer le moteur.

AVERTISSEMENT :

Dans le cas d'une utilisation prolongée, la boîte de transmission du cultivateur peut devenir très chaude. Pour éviter les brûlures, ne pas la toucher avant de l'avoir laissée refroidir.

ENTRETIEN

AVERTISSEMENT :

Utiliser exclusivement des pièces d'origine pour les réparations. L'usage de toute autre pièce pourrait créer une situation dangereuse ou endommager l'outil.

AVERTISSEMENT :

Toujours porter une protection oculaire avec écrans latéraux certifiée conforme à la norme ANSI Z87.1, avec protection auditive. Si cette précaution n'est pas prise, des objets peuvent être projetés dans les yeux et d'autres lésions graves.

AVERTISSEMENT :

Avant d'inspecter, nettoyer ou entretenir l'équipement, couper le moteur, attendre que toutes les pièces en mouvement s'arrêtent, déconnecter le fil de la bougie et l'écarter de la bougie ou débrancher de la prise secteur. Le non-respect de ces instructions peut entraîner des blessures graves ou des dégâts matériels.

ENTRETIEN GÉNÉRAL

Éviter d'utiliser des solvants pour le nettoyage des pièces en plastique. La plupart des matières plastiques peuvent être endommagées par divers types de solvants du commerce. Utiliser un chiffon propre pour éliminer la saleté, la poussière, l'huile, la graisse, etc.

AVERTISSEMENT :

Ne jamais laisser de liquides tels que le fluide de freins, l'essence, les produits à base de pétrole, les huiles pénétrantes, etc., entrer en contact avec les pièces en plastique. Les produits chimiques peuvent endommager, affaiblir ou détruire le plastique, ce qui peut entraîner des blessures graves.

Les réglages et réparations décrits ci-dessous peuvent bien souvent être effectués par l'utilisateur. Les autres réparations doivent être confiées à un centre de réparations agréé.

ENTRETIEN DES LAMES DENTÉES

- Appliquer de temps en temps quelques gouttes d'huile sur l'axe afin de maintenir libres les lames dentées.
- Si des lames dentées doivent être remplacées à cause de l'usure, il faut les remplacer toutes les quatre en même temps.

LABOURAGE NORMAL

Voir la figure 6.

Dans la plupart des applications, le labourage normal convient le mieux. Il s'agit de la configuration installée par l'usine.

NOTE : Faire attention à la position du moyeu par rapport aux dents.

LABOURAGE ÉTROIT

Voir la figure 7.

Pour travailler dans des endroits confinés ou des sillons, un labourage étroit peut être requis. Pour creuser des sillons plus rapprochés :

- Retirer la goupille de sûreté de chaque côté du cultivateur.
- Enlever les lames extérieures de gauche et de droite (A et D).
- Enlever les rondelle de feutre.
- Replacer la goupille de sûreté dans l'autre trou perforé sur l'arbre.

NOTE : Ne pas forcer pour mettre les lames dentées sur l'axe ou les retirer. En cas de difficultés pour retirer les lames dentées, appliquer une huile pénétrante sur l'arbre. Pour les remettre en place, veiller à nettoyer et huiler l'axe et leurs moyeux.

LABOURAGE DE SOL PIERREUX OU ROCHEUX

Voir la figure 8.

Pour travailler dans un sol pierreux ou rocheux présentant en permanence des obstacles rocheux, une autre configuration des lames permet de résoudre ce problème. La configuration pour sol pierreux offre un écartement central plus large que la configuration normale. La zone devra être labourée en plusieurs passes. Pour la disposition pour sols pierreux :

- Retirer la goupille de sûreté de chaque côté du cultivateur.
- Retirer les lames et les rondelles de feutre de l'arbre.
- Réinstaller les lames B et C sur les côtés opposés de l'arbre. Face au cultivateur, la lame B doit à présent être à gauche et la lame C à droite.
- Réinstaller les rondelles de feutre.
- Réinstaller les lames A et D. Les lames D et B seront d'un côté, avec les lames A et C de l'autre côté.
- Replacer la goupille de sûreté dans trou perforé sur l'arbre.

INSTALLATION DE L'ANNEAU DE SUSPENSION

Voir la figure 9.

Il existe deux façons de suspendre l'accessoire pour le remisage.

- Pour installer l'anneau de suspension, appuyer sur le bouton et emboîter le capuchon sur l'extrémité de l'arbre d'accessoire. Tourner légèrement le capuchon dans un sens et l'autre pour enclencher le bouton.
- Le trou secondaire de l'arbre d'accessoire peut également être utilisé pour suspendre l'accessoire.

REMISAGE DE L'ACCESSOIRE

- Ranger l'accessoire à l'intérieur dans un endroit bien aéré inaccessible aux enfants.
- Le tenir à l'écart de produits corrosifs, tels que les produits chimiques de jardinage et le sel de dégivrage.

GARANTIE

ÉNONCÉ DE LA GARANTIE LIMITÉE

Techtronic Industries Power Equipment, garantit à l'acheteur original que ce produit RYOBI® est exempt de tous vices de matériaux ou de fabrication et s'engage à réparer ou remplacer gratuitement, à son choix, tout produit s'avérant défectueux au cours des périodes indiquées ci-dessous, à compter de la date d'achat.

- Trois ans sur les produits utilisés par des particuliers ;
- 90 jours sur les produits utilisés à toutes autres fins, telles que les travaux commerciaux et la location.

Cette garantie n'est offerte qu'à l'acheteur original et entre en vigueur à la date de l'achat original.

Toute pièce de ce produit jugée, après évaluation raisonnable par Techtronic Industries Power Equipment, comme présentant des vices de matériaux ou de fabrication, sera réparée ou remplacée, sans facturation pour pièces ou main d'oeuvre par un centre de réparations agréé pour produits d'extérieur de marque RYOBI® (centre de réparations Ryobi agréé).

Le produit, y compris toutes les pièces défectueuses devront être retournés à un centre de réparations Ryobi agréé, avant expiration de la période de garantie. Les frais d'expédition au centre de réparations pour les travaux sous garantie et de retour au propriétaire du produit seront assumés par le propriétaire. En ce qui concerne les réclamations en garantie, la responsabilité Techtronic Industries Power Equipment, se limitera à la réparation ou au remplacement des produits défectueux et aucune revendication de rupture de garantie ne pourra causer l'annulation ou la résiliation du contrat de vente d'un produit d'extérieur RYOBI® quel qu'il soit. Une preuve d'achat sera exigée par le centre de réparation, afin de valider toute réclamation au titre de la garantie. Toutes les réparations sous garantie devront être effectuées par un centre de réparations agréé.

La garantie sur tout produit d'extérieur RYOBI® utilisé pour la location, des travaux commerciaux ou tout autre usage lucratif, sera limitée à quatre-vingt-dix (90) jours, à compter de la date d'achat au détail original.

Cette garantie ne couvre pas les produits ayant fait l'objet d'un usage abusif ou négligent, d'un manque d'entretien, ayant été impliqués dans un accident ou employé de façon contraire aux instructions du manuel d'utilisation. Cette garantie ne couvre ni les dommages aux produits résultant d'un manque d'entretien, ni les produits qui ont été altérés ou modifiés. La garantie exclut les réparations rendues nécessaires par l'usure normale ou l'utilisation de pièces et accessoires incompatibles avec le produit d'extérieur RYOBI® ou nuisibles à son bon fonctionnement, ses performances ou sa durabilité. En outre, cette garanti exclut :

A. Les réglages – Bougies, carburateur, réglages du carburateur, allumage, filtres

B. Les articles consommables – Boutons d'avance par choc, bobines externes, lignes de coupe, bobines internes, poulies et cordons de lanceur, courroies d'entraînement, dents, rondelles en feutre, axes d'attelage, lames de paillage, ventilateur de soufflante, tubes de soufflage et d'aspiration, sacs à débris, guides, chaînes de scie

Techtronic Industries Power Equipment, se réserve le droit d'apporter des modifications ou améliorations à tout produit extérieur RYOBI®, sans obligation de modifier les produits fabriqués antérieurement.

LA DURÉE DE TOUTES LES GARANTIES IMPLICITES NE SAURAIT EN AUCUN CAS EXCÉDER LA PÉRIODE DE GARANTIE DÉCLARÉE. PAR CONSÉQUENT, TOUTES LES GARANTIES IMPLICITES, Y COMPRIS LES GARANTIES DE VALEUR MARCHANDE OU D'ADÉQUATION À UN USAGE PARTICULIER OU AUTRES SERONT INVALIDÉES À L'EXPIRATION DE LA PÉRIODE DE GARANTIE APPROPRIÉE DE TROIS ANS OU QUATRE-VINGT-DIX JOURS. LES OBLIGATIONS DE Techtronic Industries Power Equipment, DANS LE CADRE DE CETTE GARANTIE SE LIMITENT EXCLUSIVEMENT À LA RÉPARATION OU AU REMPLACEMENT DES PIÈCES DÉFECTUEUSES ET Techtronic Industries Power Equipment N'ASSUME OU N'AUTORISE QUICONQUE À ASSUMER QUELQUE AUTRE OBLIGATION QUE CE SOIT. CERTAINS ÉTATS ET PROVINCES NE PERMETTANT PAS DE LIMITATION DE DURÉE DES GARANTIES IMPLICITES, LES RESTRICTIONS CI-DESSOUS PEUVENT NE PAS ÊTRE APPLICABLES. Techtronic Industries Power Equipment, DÉCLINE TOUTE RESPONSABILITÉ EN CE QUI CONCERNE LES DOMMAGES DIRECTS, INDIRECTS OU AUTRES, Y COMPRIS, MAIS SANS S'Y LIMITER, LES FRAIS DE RETOUR DE PRODUITS À UN CENTRE DE RÉPARATION RYOBI AGRÉÉ ET DE RENVOI AU PROPRIÉTAIRE, DE DÉPLACEMENT D'UN TECHNICIEN, DE TÉLÉPHONE OU TÉLÉGRAMME, DE LOCATION D'UN PRODUIT SIMILAIRE PENDANT LA DURÉE DES RÉPARATIONS SOUS GARANTIE, DE DÉPLACEMENT, DE PERTES OU DOMMAGES À DES BIENS PERSONNELS, DE MANQUE À GAGNER, DE PERTE D'USAGE DU PRODUIT, DE PERTE DE TEMPS OU DE DÉRANGEMENT. CERTAINS ÉTATS ET PROVINCES NE PERMETTANT L'EXCLUSION OU LA LIMITATION DES DOMMAGES DIRECTS OU INDIRECTS, LES RESTRICTIONS CI-DESSOUS PEUVENT NE PAS ÊTRE APPLICABLES.

Cette garantie donne au consommateur des droits spécifiques, et celui-ci peut bénéficier d'autres droits, qui varient selon les états ou provinces.

Cette garantie couvre tous les produits d'extérieur RYOBI® fabriqués par Techtronic Industries Power Equipment, vendus aux États-Unis et au Canada.

Pour obtenir l'adresse du centre de réparations Ryobi agréé le plus proche, appeler le 1-800-860-4050.

NOTES

REGLAS DE SEGURIDAD GENERALES



ADVERTENCIA:

Lea y comprenda todas las instrucciones. El incumplimiento de las instrucciones señaladas abajo puede causar descargas eléctricas, incendios y lesiones serias.

GUARDE ESTAS INSTRUCCIONES

- Lea detenidamente estas instrucciones y las instrucciones para su cabezal motor antes de utilizar la accesorio para cultivadora.
- Familiarícese con la herramienta. Lea y comprenda el manual del operador y observe las advertencias y etiquetas de instrucciones adheridas a la herramienta.
- No permita que utilicen esta unidad niños ni personas carentes de la debida instrucción para su manejo.
- Cuando utilice este producto, siempre póngase protección ocular con protección lateral con la marca de cumplimiento de la norma ANSI Z87.1, junto con protección auditiva.
- Póngase pantalones, botas y guantes gruesos. No se ponga ropa holgada, pantalones cortos, joyería de ningún tipo, sandalias o ni ande descalzo.
- Recójase el cabello si lo tiene largo, de manera que le quede arriba de los hombros para evitar que se enrede en las piezas en movimiento.
- Mantenga a todos los circunstantes, niños y animales por lo menos a 15 m (50 pies) de distancia.
- Permanezca alerta, preste atención a lo que esté haciendo, y aplique el sentido común al utilizar herramientas eléctricas. No utilice la herramienta si está cansado o se encuentra bajo los efectos de alguna droga, alcohol o medicamento. Un momento de inatención al utilizar una herramienta eléctrica puede causar lesiones corporales serias.
- No utilice este producto si no hay luz suficiente.
- No estire el cuerpo para alcanzar mayor distancia. Mantenga una postura firme y buen equilibrio en todo momento. Una postura firme y un buen equilibrio permiten un mejor control de la herramienta en situaciones inesperadas.
- Mantenga todas las partes del cuerpo alejadas de toda pieza móvil.
- Inspeccione la unidad antes de cada uso para verificar que no haya pernos sueltos no partes dañadas o faltantes. Efectúe las correcciones necesarias antes de utilizar el accesorio para cultivadora. La inobservancia de esta advertencia puede causar lesiones serias.
- Sólo utilice piezas de repuesto del fabricante original. De lo contrario puede originarse un mal desempeño de la herramienta y lesiones corporales, además de anularse la garantía.
- En ninguna circunstancia, use accesorio o accesorio alguno en este producto, que no se haya suministrado con el producto mismo, o que no esté identificado como apropiado para el uso con este producto en el manual del operador.
- Evite los entornos peligrosos de trabajo. No use el accesorio en lugares húmedos o mojados.
- No lo use en la lluvia.
- Utilice el accesorio adecuado para la tarea. No utilice este producto para ninguna función diferente de las especificadas.

- No toque las zonas alrededor del silenciador o cilindro del cabezal del motor a gasolina. Estas piezas se calientan durante el funcionamiento. El contacto con superficies calientes puede causar posibles lesiones graves.
- Siempre apague el motor y desconecte el cable de la bujía o desconecte la unidad del suministro de corriente antes de efectuar cualquier tarea de ajuste o reparación, excepto ajustes del carburador.

CUANDO UTILIZA UN CABEZAL MOTOR ELÉCTRICO:

- No deje el aparato mientras esté enchufado. Desenchúfelo de la toma de corriente cuando no se utiliza y antes de darle servicio.
- No permita que se use este artefacto como un juguete. Es necesario que preste mucha atención si se lo utiliza cerca de niños.
- Solo utilice el producto como se describe en este manual. Utilice solamente accesorios recomendados por el fabricante.
- No lo utilice si está dañado el cordón o el enchufe. Si el artefacto no está funcionando como debería, si se ha caído, dañado o mojado diríjase al centro de servicios.
- No tire del cordón ni lo acarree tomándolo por este, ni utilice el cordón como mango, ni cierre una puerta en el cordón, ni tire del cordón alrededor de bordes o esquinas afilados. No pase el aparato sobre el cordón. Mantenga el cordón alejado de las superficies calientes.
- No lo desenchufe tirando del cordón. Para desenchufarlo, sujete el enchufe, no el cordón.
- No manipule el enchufe o el aparato con las manos mojadas.
- No coloque objetos en los orificios. No utilice la unidad con orificios bloqueados, manténgala libre de polvo, hilachas, cabellos y todo aquello que pueda disminuir el flujo de aire.
- Mantenga el cabello, la ropa holgada, los dedos y todas las partes del cuerpo alejados de las aberturas y piezas móviles de la unidad.
- Apague los controles antes de desconectar la unidad.
- Este aparato se proporciona con doble aislamiento. Utilice solamente piezas de repuesto idénticas. Consulte las Instrucciones para el mantenimiento de aparatos con doble aislamiento.
- **MANTENIMIENTO DE APARATOS CON DOBLE AISLAMIENTO.** Un aparato con doble aislamiento está marcado con una o más de las siguientes leyendas: Las palabras "AISLAMIENTO DOBLE" o "DOBLE AISLAMIENTO" o el símbolo de doble aislamiento  (un cuadrado dentro de un cuadrado). En un aparato con doble aislamiento, se proporcionan dos sistemas de aislamiento en lugar de una conexión a tierra. Ningún medio de conexión a tierra se proporciona en un aparato con doble aislamiento, ni debe agregarse al aparato un medio de conexión a tierra. El mantenimiento de un aparato con doble aislamiento requiere extremo cuidado y conocimiento del sistema, y solo debe realizarlo personal de servicio calificado. Las piezas de repuesto para un aparato con doble aislamiento deben ser idénticas a las piezas que reemplazan.

REGLAS DE SEGURIDAD ESPECÍFICAS




- No utilice la unidad cerca de cables eléctricos o telefónicos, o tubería subterráneos, ni de mangueras. Si tiene dudas, comuníquese con la compañía de servicios públicos o de teléfonos para localizar las líneas de servicio subterráneas.
- Las aspas giratorias pueden causar lesiones graves, mantenga las partes del cuerpo alejadas de las aspas giratorias.
- Tenga suma precaución al retroceder o halar la máquina en dirección a usted.
- Siempre asegúrese de su postura; sujete firmemente el manubrio y camine; nunca corra.
- Si el accesorio para cultivadora comienza a vibrar anormalmente o hace mucho ruido, detenga el motor e inspeccione inmediatamente el accesorio para cultivadora y determinar la causa. El ruido anormal es generalmente una advertencia de problemas.
- Mantenga apretados todos los pernos para asegurarse que el accesorio para cultivadora esté en condiciones seguras de funcionamiento.
- Antes de cada uso, verifique que las chavetas estén completamente introducidas en el eje de cada aspa.
- No accione ningún equipo eléctrico después que se haya caído o dañado. Devuélvalo al distribuidor de servicio autorizado más cercano en su localidad para su inspección y reparación.
- Pare el motor siempre que deje el accesorio para cultivadora, o al efectuar reparaciones o inspecciones.
- Asegúrese que todas las guardas y otros dispositivos de seguridad apropiados estén debidamente acoplados y de manera segura antes de usar este producto.
- Tenga sumo cuidado al cultivadora en tierra dura. Las aspas podrían penetrar en el suelo e impulsar hacia adelante el accesorio para cultivadora.
- No sobrepase la capacidad de la máquina al intentar cultivadora con mucha profundidad a una velocidad muy rápida.
- Inspeccione el área donde piense utilizar el equipo y elimine todos los objetos extraños.
- Mantenga las manos, los pies y otras partes del cuerpo alejados de las partes giratorias.
- Antes de almacenar la unidad, deje que se enfríe el motor.
- Cuando no esté en uso, guarde su accesorio para cultivadora dentro en un sitio seco que sea inaccesible para los niños.
- Siempre apague el motor y desconecte el cable de la bujía o desconecte la unidad del suministro de corriente antes de instalar cualquier accesorio o realizar cualquier ajuste.
- Guarde estas instrucciones. Consúltelas con frecuencia y empléelas para instruir a otras personas que puedan utilizar esta herramienta. Si presta a alguien esta herramienta, facilítele también las instrucciones con el fin de evitar un uso indebido del producto y posibles lesiones.

NOTA: VEA LA MANUAL DEL OPERADOR DE CABEZAL DE MOTOR PARA REGLAS DE SEGURIDAD ESPECÍFICAS ADICIONALES.






GUARDE ESTAS INSTRUCCIONES

SÍMBOLOS

Las siguientes palabras de señalización y sus significados tienen el objeto de explicar los niveles de riesgo relacionados con este producto.

SÍMBOLO	SEÑAL	SIGNIFICADO
	PELIGRO:	Indica una situación peligrosa inminente, la cual, si no se evita, causará la muerte o lesiones serias.
	ADVERTENCIA:	Indica una situación peligrosa posible, la cual, si no se evita, podría causar la muerte o lesiones serias.
	PRECAUCIÓN:	Indica una situación potencialmente peligrosa la cual, si no se evita, puede causar lesiones leves o moderadas.
	AVISO:	(Sin el símbolo de alerta de seguridad) Indica información importante no relacionada con ningún peligro de lesiones, como una situación que puede ocasionar daños físicos.

Es posible que se empleen en esta producto algunos de los siguientes símbolos. Le suplicamos estudiarlos y aprender su significado. Una correcta interpretación de estos símbolos le permitirá utilizar mejor y de manera más segura la producto.

SÍMBOLO	NOMBRE	DENOMINACIÓN/EXPLICACIÓN
	Alerta de seguridad	Precauciones para su seguridad.
	Lea el manual del operador	Para reducir el riesgo de lesiones, el usuario debe leer y comprender el manual del operador antes de usar este producto.
	Protección para los ojos, los oídos y la cabeza	Toujours porter une protection oculaire avec écrans latéraux certifiée conforme à la norme ANSI Z87.1, avec protection auditive, lors de l'utilisation de produit.
	Mantenga alejadas a las personas presentes	Mantenga a los circunstantes a una distancia mínima de 15 m (50 pies).
	ASPAS giratorias	Peligro — Mantenga las manos y los pies alejados de las aspas giratorias. Las aspas giratorias causarán lesiones.

CARACTERÍSTICAS

ESPECIFICACIONES DEL PRODUCTO

Tamaño de la aspa	203,2 mm (8 pulg.)
Profundidad de cultivo	196,9 mm (7-3/4 pulg.)
Ancho de cultivo.....	177,8 a 254 mm (7 a 10 pulg.)
Peso	6,1 kg (13,5 lb.)

FAMILIARÍCESE CON EL ACCESORIO PARA CULTIVADORA

Vea la figura 1.

Para usar este producto con la debida seguridad se debe comprender la información indicada en la producto misma y en este manual, y se debe comprender también el trabajo que intenta realizar. Antes de usar este producto, familiarícese con todas las características de funcionamiento y normas de seguridad del mismo.

ARMADO

DESEMPAQUETADO

Este producto requiere armarse.

- Retire cuidadosamente los artículos de la caja. Asegúrese de que estén presentes todos los artículos enumerados en la lista de empaquetado.

ADVERTENCIA:

No utilice este producto si alguna pieza incluida en la lista de empaquetado ya está ensamblada al producto cuando lo desempaqueta. El fabricante no ensambla las piezas de esta lista en el producto. Éstas deben ser instaladas por el usuario. El uso de un producto que puede haber sido ensamblado de forma inadecuada podría causar lesiones personales graves.

- Inspeccione cuidadosamente el producto para asegurarse de que no haya sufrido roturas o daños durante el envío.
- No deseche el material de empaquetado hasta que haya inspeccionado cuidadosamente la herramienta y la haya utilizado satisfactoriamente.
- Si hay piezas dañadas o faltantes, le suplicamos llamar al 1-800-860-4050, donde le brindaremos asistencia.

LISTA DE EMPAQUETADO

Accesorio para cultivadora Ryobi® Expand-it™
Mango "J" con piezas de montaje
Pasadores del enganche (2)
Arandelas de fieltro (2)
Aspas exterior (2)
Aspas interior (2)
Manual del operador

ADVERTENCIA:

Si hay piezas dañadas o faltantes, no utilice esta producto sin haber reemplazado todas las piezas. La inobservancia de esta advertencia podría causar posibles lesiones serias.

ADVERTENCIA:

No intente modificar esta producto ni hacer accesorios no recomendados para la misma. Cualquier alteración o modificación constituye maltrato el cual puede causar una condición peligrosa, y como consecuencia posibles lesiones corporales serias.

ADVERTENCIA:

No conecte la unidad al cabezal motor antes de terminar de armarla. De lo contrario la unidad puede ponerse en marcha accidentalmente, con el consiguiente riesgo de lesiones serias.

INSTALACIÓN DE LAS ASPAS

Vea la figura 2.

NOTA: Instale las aspas antes de acoplar el accesorio al cabezal motor.

La cultivadora tiene cuatro aspas - dos interiores denominadas B y C y dos exteriores denominadas A y D. Para obtener un funcionamiento correcto de la unidad, las aspas deben instalarse con la debida orientación.

- Coloque el aspa C en el eje correspondiente, a la izquierda de la caja de engranajes. El lado troquelado del aspa debe quedar orientada en la dirección contraria de donde está la caja de engranajes.
- Coloque el aspa B en el eje, a la derecha de la caja de engranajes. El lado troquelado del aspa debe quedar orientada en la dirección contraria de donde está la caja de engranajes.
- Coloque una arandela de fieltro en cada lado del eje de las aspas, y coloque el resto contra las aspas interiores.
- Coloque el aspa exterior D en el lado izquierdo del eje. El lado troquelado debe quedar orientado hacia adentro, hacia el aspa C.

ARMADO

- Coloque el aspa exterior A en el lado derecho del eje. El lado troquelado debe quedar orientado hacia adentro, hacia el aspa B.

NOTA: Si se ha efectuado correctamente la instalación, el borde angular de las cuchillas de las aspas debe quedar orientado hacia el suelo.

- Para asegurar las aspas en el eje de las mismas, introduzca el pasador de enganche en los agujeros situados en cada lado de dicho eje.

NOTA: La unidad no funciona correctamente si no se instalan correctamente las aspas. Si observa algún problema en el funcionamiento de la unidad, revise la colocación de las aspas para ver si es la correcta.



PRECAUCIÓN:

Al instalar, retirar o ajustar las aspas del accesorio para cultivadora use guantes pesados. Con el desgaste, las aspas del accesorio para cultivadora se volverán más filosas.

CÓMO ACOPLAR EL CABEZAL MOTOR AL ACCESORIO PARA CULTIVADORA

Vea la figura 3.

El accesorio para cultivadora se acopla al cabezal motor mediante un dispositivo acoplador.



ADVERTENCIA:

Nunca una ni ajuste ningún accesorio mientras esté funcionando el cabezal motor. Si no se detiene el motor podría causar lesiones personales graves.

Para instalar el accesorio:

- Desconecte el cable de la bujía o desconecte la unidad del suministro de corriente.
- Retire la tapa de suspensión del accesorio.
- Afloje la perilla en el acoplador del eje del cabezal de potencia.
- Oprima el botón situado en el eje de accesorio.
- Alinee el botón con el rebajo de guía en el acoplador del cabezal de potencia y deslice ambos ejes para acoplarlos entre sí. Gire el eje de accesorio hasta que el botón se trabe en el orificio de posicionamiento.

NOTA: El accesorio para cultivadora solamente debe utilizarse con la hoja en posición vertical. Si el botón no brota completamente en el orificio de posicionamiento, significa que el eje no está asegurado. Gire levemente los ejes de un lado a otro hasta que el botón quede asegurado.

- Apriete firmemente la perilla.



ADVERTENCIA:

Asegúrese de que esté bien apretada la perilla antes de utilizar el equipo; verifique periódicamente el apriete de la misma durante el uso para evitar lesiones graves.

Para el desmontaje:

- Apague el motor y desconecte el cable de la bujía o desconecte la unidad del suministro de corriente.
- Afloje la perilla.
- Oprima el botón y gire los ejes para separar los extremos de los mismos.

ACOPLAMIENTO DEL MANGO “J”

Vea la figura 4.

El mango “J” incluido con el accesorio para cultivadora proporciona una barrera para ayudar al operador a mantenerse a una distancia segura de las aspas giratorias. Si el cabezal de potencia al cual se acoplará el accesorio para cultivadora no tiene un mango como tal, instale el mango suministrado.

- Coloque la mordaza inferior del mango en J en el eje de impulsión como se muestra. Introduzca la orejeta ubicada en la mordaza superior del mango en J dentro de la ranura de la mordaza inferior de éste.
- Coloque el extremo del mango en J entre las mordazas para que los orificios se alineen y el mango quede ubicado a la izquierda del operador.
- Empuje el perno a través de la mordaza y del mango.
- Instale la arandela plana, la arandela de seguridad y la tuerca de mariposa para sujetar el conjunto en posición.
- Ajuste la posición del mango de acuerdo con el área que indica la etiqueta en el alojamiento del eje de impulsión.
- Apriete la tuerca de mariposa firmemente.

FUNCIONAMIENTO

ADVERTENCIA:

No permita que su familiarización con esta producto lo vuelva descuidado. Tenga presente que un descuido de un instante es suficiente para causar una lesión grave.

ADVERTENCIA:

Siempre póngase protección ocular con la marca de cumplimiento de la norma ANSI Z87.1 junto con protección para los oídos. La inobservancia de esta advertencia puede permitir que los objetos lanzados hacia los ojos y otros provocar lesiones graves.

ADVERTENCIA:

No utilice ningún accesorio o accesorio no recomendado por el fabricante de esta producto. El empleo de accesorios o accesorios no recomendados podría causar lesiones serias.

USOS

Esta producto puede emplearse para los fines enumerados abajo:

- Mullido de la tierra del jardín como preparación para plantar
- Cultivo superficial para eliminar maleza

FUNCIONAMIENTO DEL ACCESORIO PARA CULTIVADORA

Vea la figura 5.

Sujete el accesorio para cultivadora con la mano derecha en el mango trasero y coloque la mano izquierda en el mango frontal. Sujete firmemente la unidad con ambas manos durante la operación.

En casi todos los tipos de suelo, no es necesario ni se recomienda operar el accesorio para cultivadora a toda velocidad. Al hacerlo repetidamente se acortará la vida útil del motor y del tren de impulsión. Usualmente, debe ser suficiente abrir parcialmente el acelerador.

ADVERTENCIA:

Mantenga las manos y los pies alejados de las aspas giratorias. Las aspas giratorias causarán lesiones personales.

NOTA: Las aspas del accesorio para cultivadora pueden girar al poner en marcha el motor.

- Mueva el accesorio para cultivadora al área de trabajo antes de poner en marcha el motor.
- Con el accesorio para cultivadora sobre suelo a nivel, ponga en marcha el motor del cabezal de potencia. Consulte el manual del operador de su cabezal de potencia.
- Sujete firmemente los mangos, oprima el gatillo para aumentar la velocidad del motor hasta alcanzar una velocidad moderada, después baje el accesorio para cultivadora de manera que las aspas puedan hacer contacto con el suelo.
- Hale cuidadosamente el accesorio para cultivadora en dirección hacia usted mientras éste excava la superficie del suelo.

NOTA: Al halar cuidadosamente el accesorio para cultivadora en dirección hacia usted, mientras éste excava el suelo, útil reducirá su esfuerzo y volverá más fácil el cultivo.

ADVERTENCIA:

Para evitar lesiones personales, nunca desplace el accesorio para cultivadora mientras el motor esté en marcha. Mueva el accesorio para cultivadora al área de trabajo antes de poner en marcha el motor.

ADVERTENCIA:

Después de períodos extendidos de uso, se puede calentar la caja de engranajes del accesorio para cultivadora. Para evitar quemaduras, no toque la caja de engranajes hasta que haya tenido tiempo de enfriarse.

MANTENIMIENTO



ADVERTENCIA:

Al dar servicio a la unidad, sólo utilice piezas de repuesto idénticas. El empleo de piezas diferentes puede causar un peligro o dañar el producto.



ADVERTENCIA:

Siempre póngase protección ocular con la marca de cumplimiento de la norma ANSI Z87.1 junto con protección para los oídos. La inobservancia de esta advertencia puede permitir que los objetos lanzados hacia los ojos y otros provocar lesiones graves.



ADVERTENCIA:

Antes de inspeccionar, limpiar o dar mantenimiento a la máquina, apague el motor, espere hasta que se detengan todas las piezas en movimiento, desconecte el cable de la bujía y apártelo de la bujía o desconecte la unidad del suministro de corriente. El incumplimiento de estas instrucciones puede provocar lesiones personales graves o daños materiales.

MANTENIMIENTO GENERAL

Evite el empleo de solventes al limpiar piezas de plástico. La mayoría de los plásticos son susceptibles a diferentes tipos de solventes comerciales y pueden resultar dañados. Utilice paños limpios para eliminar la suciedad, el polvo, el aceite, la grasa, etc.



ADVERTENCIA:

No permita en ningún momento que fluidos para frenos, gasolina, productos a base de petróleo, aceites penetrantes, etc., lleguen a tocar las piezas de plástico. Los productos químicos pueden dañar, debilitar o destruir el plástico, lo cual puede causar lesiones serias.

A menudo, usted puede efectuar los ajustes y reparaciones descritos aquí. Para otro tipo de reparaciones, lleve el producto a un establecimiento de servicio autorizado.

MANTENIMIENTO DE LAS ASPAS

- Ocasionalmente aplique unas cuantas gotas de aceite en el eje para mantener libres las aspas.
- Si se desea reemplazar las aspas gastadas, se recomienda cambiar las cuatro aspas como un solo conjunto.

PATRÓN DE ASPAS REGULAR

Vea la figura 6.

Para la mayoría de las aplicaciones, el patrón regular de las aspas funcionará mejor. Éste es el patrón que se ajusta en la fábrica.

NOTA: Ponga atención a la posición del cubo en relación con las aspas.

PATRÓN DE ASPAS ESTRECHO

Vea la figura 7.

Al cultivadora en áreas confinadas o en surcos, quizá sea necesario usar un patrón estrecho. Para obtener un surco más angosto:

- Quite la pasador del enganche de ambos lados del eje.
- Extraiga las aspas externas izquierda y derecha (A y D).
- Extraiga las arandela de fieltro.
- Vuelva a colocar la pasador del enganche en el otro agujero del eje.

NOTA: No fuerce las aspas para colocarlas o desprenderlas del eje. Si surgen dificultades al retirar las aspas, aplique al eje un poco de aceite de baja viscosidad. Al volver a instalar las aspas, asegúrese de limpiar y aceitar el eje y los cubos de las aspas.

PATRÓN DE ASPAS PARA SUELO PEDREGOSO O ROCOSO

Vea la figura 8.

Si desea cultivadora en suelo pedregoso o rocoso, y ocurren atascamientos continuos de rocas o piedras, hay disponible un patrón adicional de aspas que ayudará a corregir el problema. En el patrón de aspas para suelo rocoso, la separación central es más ancha que en el patrón regular de aspas. Esto requiere pases adicionales para cultivadora el área. Para el patrón de aspas para suelo rocoso:

- Quite la pasador del enganche de ambos lados del eje.
- Extraer del eje las aspas y las arandelas de fieltro.
- Reinstalar las aspas B y C en los lados opuestos del eje. Al mirar de frente el accesorio de cultivo, la aspa B está a la izquierda y la aspa C a la derecha.
- Volver a instalar las arandelas de fieltro.
- Volver a instalar las aspas A y D. Las aspas D y B estarán ahora en un lado y las aspas A y C en el otro.
- Vuelva a colocar la pasador del enganche en el agujeros del eje.

MONTAJE DEL COLGADOR DE ALMACENAMIENTO

Vea la figura 9.

Hay dos formas de colgar el accesorio para guardarlo.

- Para usar la tapa de suspensión, oprima el botón y coloque la tapa en el extremo del eje del accesorio. Gire levemente la tapa de un lado a otro hasta que quede asegurado en su lugar el botón.
- El orificio secundario del eje del accesorio también se puede utilizar para colgarlo.

ALMACENAMIENTO DEL ACCESORIO

- Guarde el accesorio dentro en un lugar bien ventilado inaccesible a los niños.
- Evite que la unidad entre en contacto con agentes corrosivos como las sustancias químicas para el jardín y las sales para derretir el hielo.

GARANTÍA

DECLARACIÓN DE LA GARANTÍA LIMITADA

Techtronic Industries Power Equipment garantiza al comprador original al menudeo que este producto de la marca RYOBI® carece de defectos en los materiales y en la mano de obra, y acuerda reparar o reemplazar, a la sola discreción de Techtronic Industries Power Equipment, cualquier producto defectuoso, sin cargo alguno al comprador, dentro de los siguientes períodos de tiempo a partir de la fecha de compra.

- Tres años si los productos se emplean para uso personal, familiar o casero;
- 90 días si el producto se emplea para cualquier otro propósito, como el uso comercial o el de alquiler.

Esta garantía se otorga solamente al comprador original al menudeo, y comienza en la fecha de la compra original al menudeo.

Cualquier parte de este producto Techtronic Industries Power Equipment que, a juicio razonable de la compañía, tenga defectos en los materiales o en la mano de obra, será reparado o reemplazado por un centro de servicio autorizado de herramientas para uso en el exterior de la marca RYOBI®, sin cargo alguno al comprador por concepto de piezas y mano de obra (Centro de Servicio Autorizado Ryobi).

El producto, incluida toda pieza defectuosa, debe enviarse a un centro de servicio autorizado Ryobi dentro del período de la garantía. El gasto de enviar el producto al centro de servicio para cualquier trabajo cubierto por la garantía, así como el gasto de devolverlo al propietario después de la reparación, correrán por cuenta del propietario. La responsabilidad de Techtronic Industries Power Equipment con respecto a todo reclamo se limita a las reparaciones o reemplazo del producto, y ningún reclamo de incumplimiento de la garantía será causante de la cancelación o rescisión del contrato de venta de ninguna herramienta de uso en el exterior de la marca RYOBI®. En el establecimiento se requerirá el recibo de compra para respaldar cualquier reclamo al amparo de la garantía. Todo trabajo cubierto en la garantía debe ser realizado por un concesionario de servicio autorizado.

Esta garantía se limita a noventa (90) días a partir de la fecha original de la compra de cualquier herramienta de uso en el exterior de la marca RYOBI® empleada para propósitos comerciales o de alquiler, o cualquier otro propósito generador de ingresos.

Esta garantía no cubre ningún producto que haya sido sujeto a un uso indebido, maltrato, negligencia o accidente, o que haya sido utilizado de cualquier forma contraria a las instrucciones de manejo especificadas en el manual del operador del producto. Esta garantía no aplica a ningún daño en el producto que resulte de un mantenimiento indebido ni a ningún producto que haya sido alterado o modificado. La garantía no cubre ninguna reparación necesaria por el uso normal ni por el uso de piezas o accesorios que sean incompatibles con la herramienta para uso exterior de la marca RYOBI®, o afecten de forma desfavorable su funcionamiento, desempeño o durabilidad.

Además, esta garantía no cubre:

- A. Afinación – Bujías, carburador, ajustes del carburador, encendido, filtros

- B. Artículos sujetos a desgaste – Perillas de tope, carretes exteriores, hilos de corte, carretes interiores, poleas del arrancador, cuerdas del arrancador, correas de transmisión, aspas, arandelas de fieltro y pasadores de enganche, hojas de triturar, ventiladores de sopladoras, tubos de sopladoras y de aspiradoras, sacos y correas de aspiradoras, barras guía y cadenas de sierras

Techtronic Industries Power Equipment se reserva el derecho a cambiar o mejorar el diseño de cualquier herramienta para uso en el exterior de la marca RYOBI® sin asumir ninguna obligación de modificar ningún producto fabricado previamente.

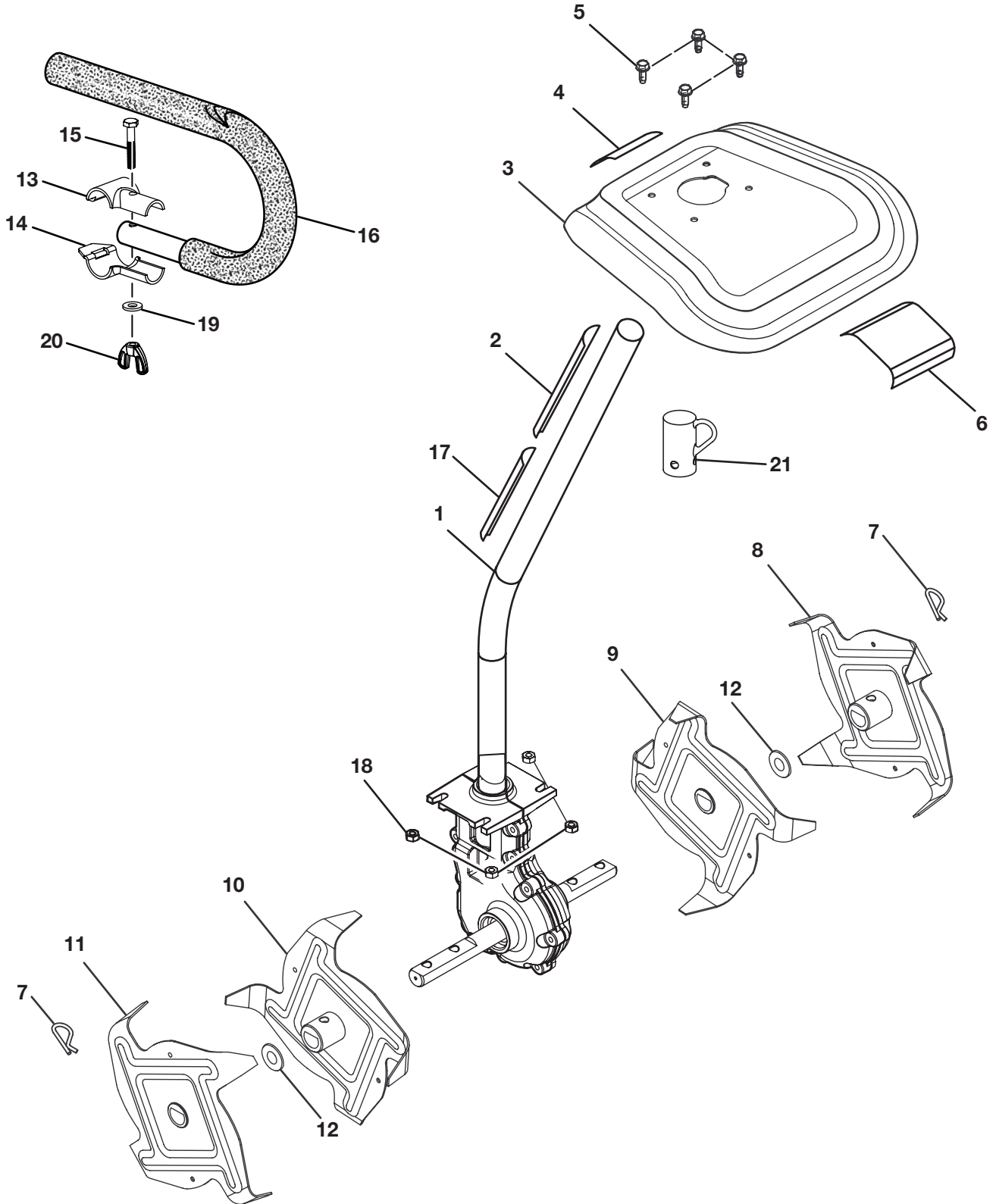
TODAS LAS GARANTÍAS IMPLÍCITAS ESTÁN LIMITADAS EN DURACIÓN SEGÚN EL PERÍODO DE GARANTÍA DECLARADA. POR CONSIGUIENTE, CUALQUIER GARANTÍA IMPLÍCITA, INCLUSO LAS DE COMERCIABILIDAD, IDONEIDAD PARA UN PROPÓSITO EN PARTICULAR, O DE CUALQUIER TIPO, PIERDEN TOTALMENTE SU VALIDEZ DESPUÉS DEL VENCIMIENTO DEL PERÍODO DE GARANTÍA CORRESPONDIENTE DE TRES AÑOS O NOVENTA DÍAS. DE CONFORMIDAD CON ESTA GARANTÍA, LA OBLIGACIÓN DE Techtronic Industries Power Equipment SE LIMITA ESTRUCTA Y EXCLUSIVAMENTE A LA REPARACIÓN O REPLAZO DE LAS PIEZAS DEFECTUOSAS, Y Techtronic Industries Power Equipment NO ASUME NINGUNA OTRA OBLIGACIÓN, NI AUTORIZA A NADIE ASUMIRLA A NOMBRE DE DICHA COMPAÑÍA. ALGUNOS ESTADOS NO PERMITEN LIMITACIONES EN CUANTO A LA DURACIÓN DE UNA GARANTÍA IMPLÍCITA, POR LO CUAL ES POSIBLE QUE LA LIMITACIÓN ANTERIOR NO SE APLIQUE EN EL CASO DE USTED. Techtronic Industries Power Equipment NO ASUME NINGUNA RESPONSABILIDAD POR DAÑOS DIRECTOS, INDIRECTOS O DE NINGÚN OTRO TIPO, COMO EL GASTO DE ENVIAR EL PRODUCTO A UN CENTRO DE SERVICIO AUTORIZADO RYOBI Y EL GASTO DE ENVIARLO DE ALLÍ AL PROPIETARIO, EL TIEMPO DE VIAJE DEL MECÁNICO, CARGOS TELEFÓNICOS O TELEGRÁFICOS, ALQUILER DE UN PRODUCTO SUSTITUTO DURANTE EL TIEMPO DE REALIZACIÓN DEL SERVICIO DE LA GARANTÍA, VIAJES, PÉRDIDA O DAÑOS A OBJETOS DE PROPIEDAD PERSONAL, PÉRDIDA DE INGRESOS, PÉRDIDA DEL USO DEL PRODUCTO, PÉRDIDA DE TIEMPO O INCONVENIENTES. EN ALGUNOS ESTADOS NO SE PERMITE LA EXCLUSIÓN O LIMITACIÓN DE DAÑOS DIRECTOS O INDIRECTOS, POR LO CUAL ES POSIBLE QUE LA LIMITACIÓN O EXCLUSIÓN DESCRITA ARRIBA NO SE APLIQUE EN SU CASO.

Esta garantía le confiere derechos legales específicos, y es posible que usted goce de otros derechos, los cuales pueden variar de estado a estado.

Esta garantía se aplica a todas las herramientas para uso en el exterior de la marca RYOBI® fabricadas por Techtronic Industries Power Equipment y vendidos en Estados Unidos y Canadá.

Para encontrar el centro de servicio autorizado Ryobi más cercano a usted, llame al 1-800-860-4050.

ILLUSTRATED PARTS LIST
LISTE DES PIÈCES ILLUSTRÉES
LISTA DE PIEZAS ILUSTRADAS



ILLUSTRATED PARTS LIST

LISTE DES PIÈCES ILLUSTRÉES

LISTA DE PIEZAS ILUSTRADAS

KEY NO. Pièce Num. Núm. Ref.	PART NO. Num. Réf. Núm. Pieza	DESCRIPTION	DESCRIPTION	DESCRIPCIÓN	QTY. Qté. Cant.
1	120530006	Gear Case and Drive Shaft Assembly (Includes Key Nos. 2 and 17)	Carter d'engrenages et arbre moteur (incl. pièces no. 2 et 17)	Conjunto de la caja de engranajes y alojamiento del eje de impulsión (incl. pzas. núms. ref. 2 y 17)	1
2	940657031	Warning Label	Étiquette d'avertissement	Etiqueta de advertencia	1
3	120530007	Tine Shield Assembly (Includes Key Nos. 4 and 6)	Ensemble de protection des lames (incl. pièces no. 4 et 6)	Conunto del protector de las aspas (incl. pzas. núms. ref. 4 y 6)	1
4	940705022	Logo Label	Autocollant de logo	Etiqueta del logotipo	1
5	660955001	* Screw (1/4-20 x 5/8 in.)	Vis (1/4-20 x 5/8 po)	Tornillo (1/4-20 x 5/8 pulg.)	4
6	940654015	Warning Label	Étiquette d'avertissement	Etiqueta de advertencia	1
7	638001004	* Hitch Pin (3/4 in.)	Goupille de sûreté (3/4 po)	Pasador del enganche (3/4 pulg.)	2
8	308693004	Tine Assembly D	Lame dentées D	Conjunto de aspas D	1
9	308693003	Tine Assembly C	Lame dentées C	Conjunto de aspas C	1
10	308693002	Tine Assembly B	Lame dentées B	Conjunto de aspas B	1
11	308693001	Tine Assembly A	Lame dentées A	Conjunto de aspas A	1
12	900755001	Felt Washer	Rondelle en feutre	Arandela de fieltro	2
13	638564001	Top "J" Handle Clamp	Collier supérieure de la poignée en J	Mordaza superior del mango en J	1
14	638565001	Bottom "J" Handle Clamp	Collier inférieur de la poignée en J	Mordaza inferior del mango en J	1
15	660643001	* Bolt (1/4-20 x 1-1/2 in., Hex Hd.)	Boulon (1/4-20 x 1-1/2 po, tête hex.)	Perno (1/4-20 x 1-1/2 pulg., cabeza hexagonal)	1
16	308046005	"J" Handle and Grip	Poignée en « J » et poignée rembourrée	Mango "J" y empuñadura	1
17	940726013	Logo Label	Étiquette de logo	Etiqueta logotipo	1
18	678132001	* Lock Nut (1/4-20)	Écrou frein (1/4-20)	Tuerca (1/4-20)	4
19	678013001	* Washer	Rondelle	Arandela	1
20	518949001	* Wing Nut (1/4-20)	Écrou à oreilles (1/4-20)	Tuerca de mariposa (1/4-20)	1
21	518019002	Hanger Cap	Capuchon de suspension	Tapa de suspensión	1
	987000381	Operator's Manual	Manuel d'utilisation	Manual del operador	1

* STANDARD HARDWARE ITEM — MAY BE PURCHASED LOCALLY

* ARTICLE DE QUINCAILLERIE STANDARD — EN VENTE DANS LES MAGASINS LOCAUX

* ARTÍCULO ESTÁNDAR DE FERRETERÍA — PUEDE ADQUIRIRSE EN LA LOCALIDAD



OPERATOR'S MANUAL
MANUEL D'UTILISATION / MANUAL DEL OPERADOR
CULTIVATOR ATTACHMENT
ACCESSOIRE CULTIVATEUR
ACCESORIO PARA CULTIVADORA
RY15550

CALIFORNIA PROPOSITION 65

⚠ WARNING:

This product and substances that may become airborne from its use may contain chemicals, including lead, known to the State of California to cause cancer, birth defects, or other reproductive harm.
Wash hands after handling.

PROPOSITION 65 DE L'ÉTAT DE CALIFORNIE

⚠ AVERTISSEMENT :

Ce produit et les autres substances rejetées dans l'air suite à son utilisation peuvent contenir des produits chimiques, notamment du plomb qui, selon l'État de la Californie, peuvent causer le cancer, des anomalies congénitales et d'autres dommages au système reproducteur.
Bien se laver les mains après toute manipulation.

CALIFORNIA - PROPUESTA DE LEY NÚM. 65

⚠ ADVERTENCIA:

Este producto y las sustancias que puedan llegar a ser aerotransportadas por su uso pueden contener sustancias químicas (incluido el plomo) reconocidas por el estado de California como causantes de cáncer, defectos congénitos y otras afecciones del aparato reproductor. **Lávese las manos después de utilizar el aparato.**

RYOBI is a registered trademark of Ryobi Limited and is used pursuant to a license granted by Ryobi Limited.

RYOBI est une marque déposée de Ryobi Limited et est utilisée en vertu d'une licence accordée par Ryobi Limited.

RYOBI es una marca registrada de Ryobi Limited y se utiliza conforme a una licencia otorgada por Ryobi Limited.

• PARTS AND SERVICE

Prior to requesting service or purchasing replacement parts, please obtain your item and serial number from the product data plate.

• ITEM NO. _____ **SERIAL NO.** _____

• HOW TO OBTAIN REPLACEMENT PARTS:

Replacement parts can be purchased online at www.ryobitools.com or by calling 1-800-860-4050. Replacement parts can also be obtained at one of our Authorized Service Centers.

• HOW TO LOCATE AN AUTHORIZED SERVICE CENTER:

Authorized Service Centers can be located online at www.ryobitools.com or by calling 1-800-860-4050.

• HOW TO OBTAIN CUSTOMER OR TECHNICAL SUPPORT:

To obtain Customer or Technical Support please contact us at 1-800-860-4050.

• • • • •

• PIÈCES ET SERVICE

Avant de faire la demande de service ou l'achat de pièces de remplacement, veuillez obtenir le numéro de série du article à partir de la plaque de données du produit.

• NUMÉRO DE ARTICLE _____ **NUMÉRO DE SÉRIE** _____

• COMMENT OBTENIR LES PIÈCES DE REMPLACEMENT :

Les pièces de remplacement peuvent être achetées en ligne sur le site www.ryobitools.com ou par téléphone au 1-800-860-4050. Les pièces de remplacement peuvent être obtenues à un de nos centres de service autorisés.

• COMMENT TROUVER UN CENTRE DE SERVICE AUTORISÉ :

Les centres de service autorisés peuvent être localisés en ligne au www.ryobitools.com ou en téléphonant au 1-800-860-4050.

• COMMENT OBTENIR DE L'AIDE EN CONTACTANT LE SERVICE À LA CLIENTÈLE :

Pour contacter le service à la clientèle pour une question technique ou pour tout autre renseignement, veuillez nous téléphoner au 1-800-860-4050.

• • • • •

• PIEZAS DE REPUESTO Y SERVICIO

Antes de solicitar servicio técnico o comprar piezas de repuesto, obtenga su artículo y número de serie de la placa de datos del producto.

• NÚMERO DE ARTICULO _____ **NÚMERO DE SERIE** _____

• CÓMO OBTENER PIEZAS DE REPUESTO:

Las piezas de repuesto se pueden comprar en nuestro sitio en la red mundial, en la dirección www.ryobitools.com o llamando al 1-800-860-4050. Las piezas de repuesto también se pueden obtener en uno de nuestros Centros de Servicio Autorizados.

• CÓMO LOCALIZAR UN CENTRO DE SERVICIO AUTORIZADO:

Puede encontrar los Centros de Servicio Autorizados visitando nuestro sitio en la red mundial, en la dirección www.ryobitools.com or by calling 1-800-860-4050.

• CÓMO OBTENER SERVICIO O ASISTENCIA TÉCNICA AL CONSUMIDOR:

Para obtener Servicio o Asistencia Técnica al Consumidor, sírvase comunicarse con nosotros llamando al 1-800-860-4050.

Techtronic Industries Power Equipment

1428 Pearman Dairy Road, Anderson, SC 29625 USA

1-800-860-4050 • www.ryobitools.com