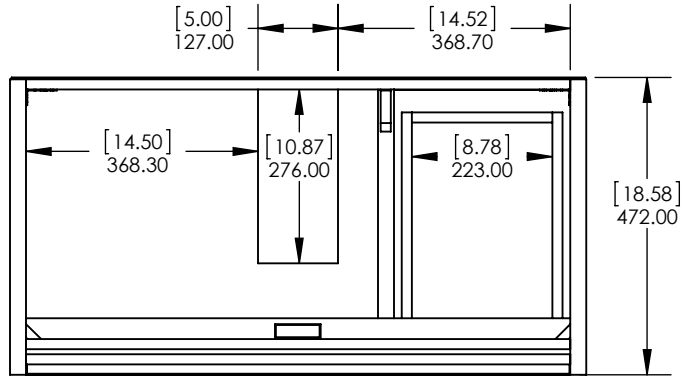
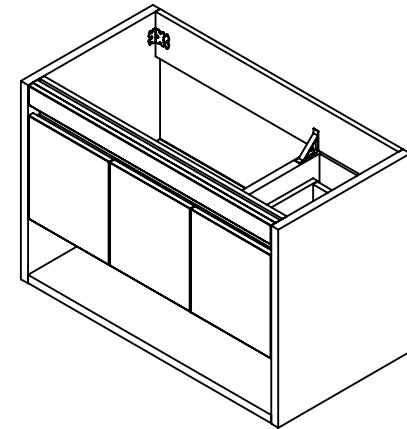


ITEM ID	DESCRIPTION
WY36P2-DO	WALL HUNG 36 DARK OAK

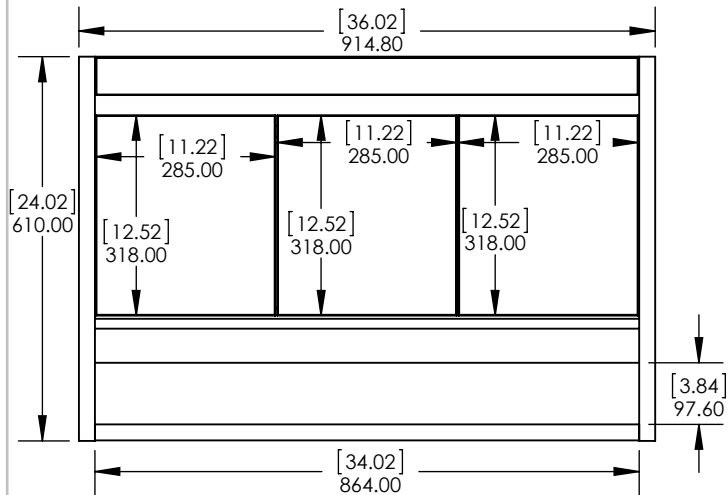
REV	ECO#	DESCRIPTION	REV'D BY DATE	CHK'D BY DATE	APRV'D BY DATE
0		RELEASE	AGS 05/24/19	KN 05/24/19	EC 05/24/19



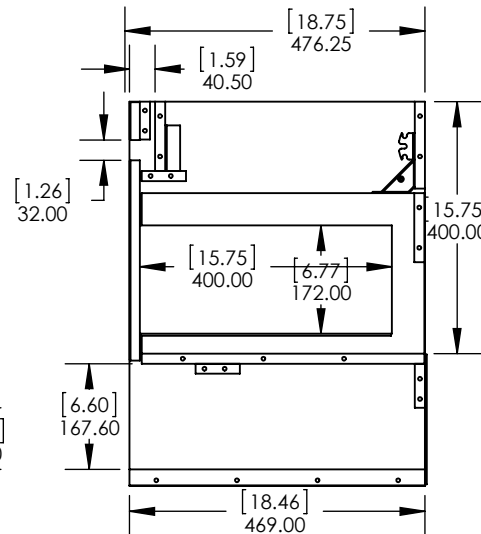
Top View / Vista Superior



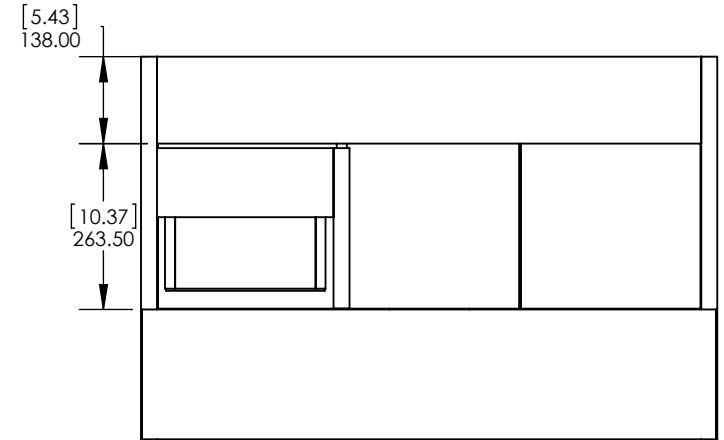
Isometric View / Vista Isometrica



Front view / Vista Frontal



Side View / Vista Lateral



Back View / Vista Trasera

PROPRIETARY AND CONFIDENTIAL
 THE INFORMATION CONTAINED IN THIS DRAWING IS THE SOLE PROPERTY OF WOODCRAFTERS HOME PRODUCTS L.L.C. ANY REPRODUCTION IN PART OR AS A WHOLE, WITHOUT THE WRITTEN PERMISSION OF WOODCRAFTERS HOME PRODUCTS L.L.C. IS PROHIBITED.

Tolerancia no especificada

Lineal
±0.5mm

Angular
±0.5°

Drawn By / Dibujado por:	Adolfo Gallegos	05/24/19
Checked By / Revisado Por:	Karina Navarro	05/24/19
Approved By / Revisado Por:	Eduardo Cisneros	05/24/19



Cabinet Name/Nombre de Gabinete:
WALL HUNG 36 DARK OAK

FIG ID:

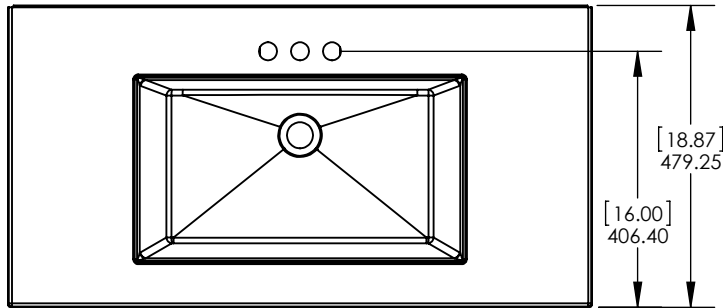
of Drawing/ de Dibujo:

PAGE 1 OF 1

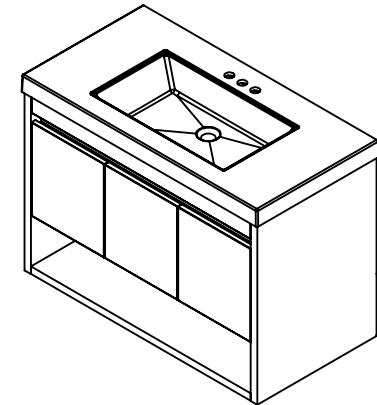
REV: 0

ITEM ID	DESCRIPTION
WY36P2-DO	WALL HUNG 36 DARK OAK

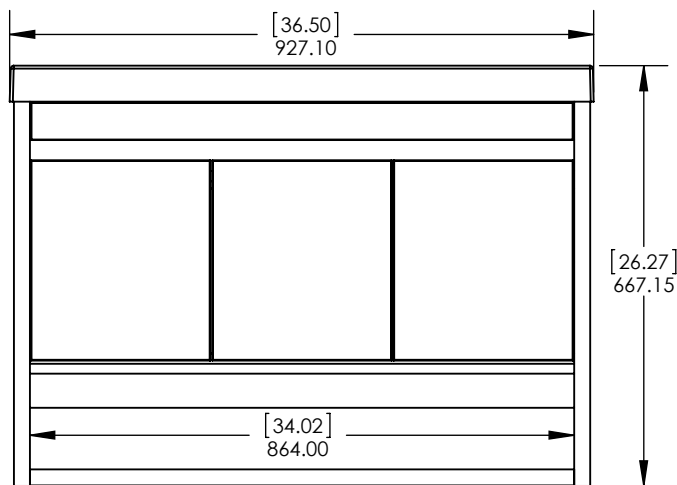
REV	ECO#	DESCRIPTION	REV'D BY DATE	CHK'D BY DATE	APRV'D BY DATE
0		RELEASE	AGS 05/24/19	KN 05/24/19	EC 05/24/19



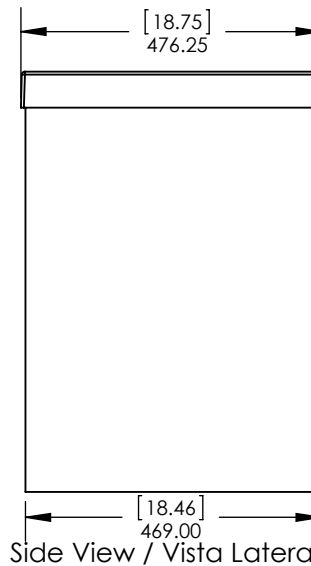
Top View / Vista Superior



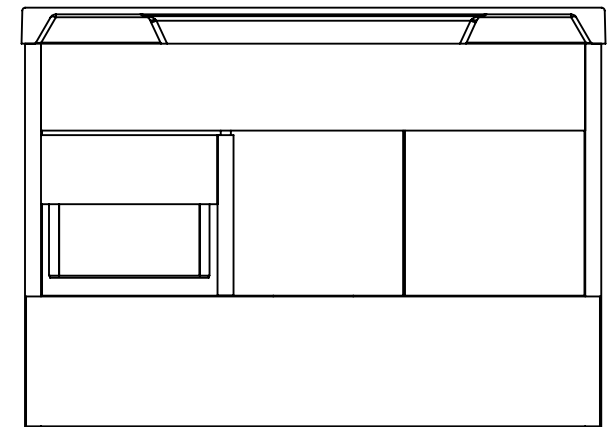
Isometric View / Vista Isometrica



Front view / Vista Frontal



Side View / Vista Lateral



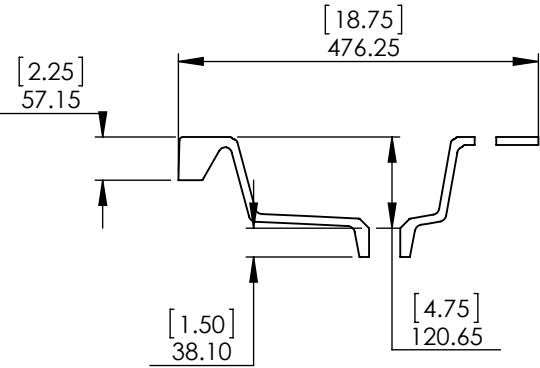
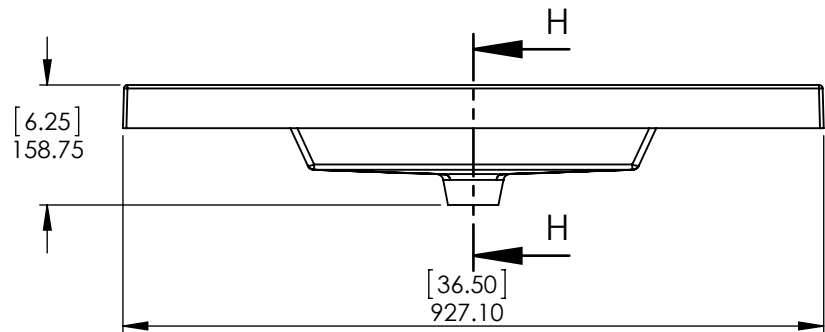
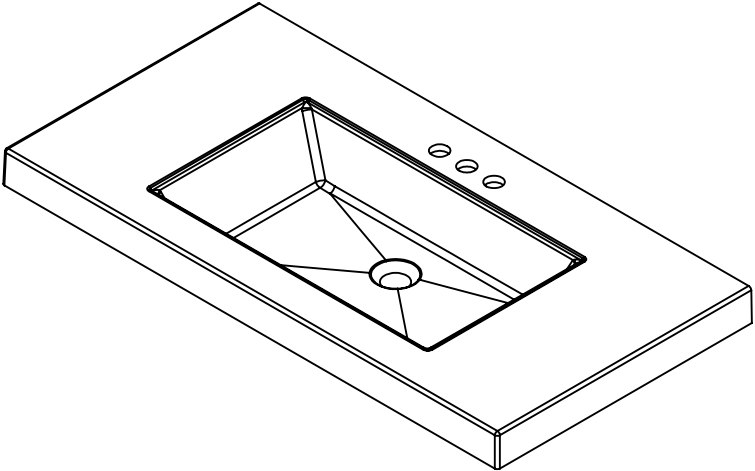
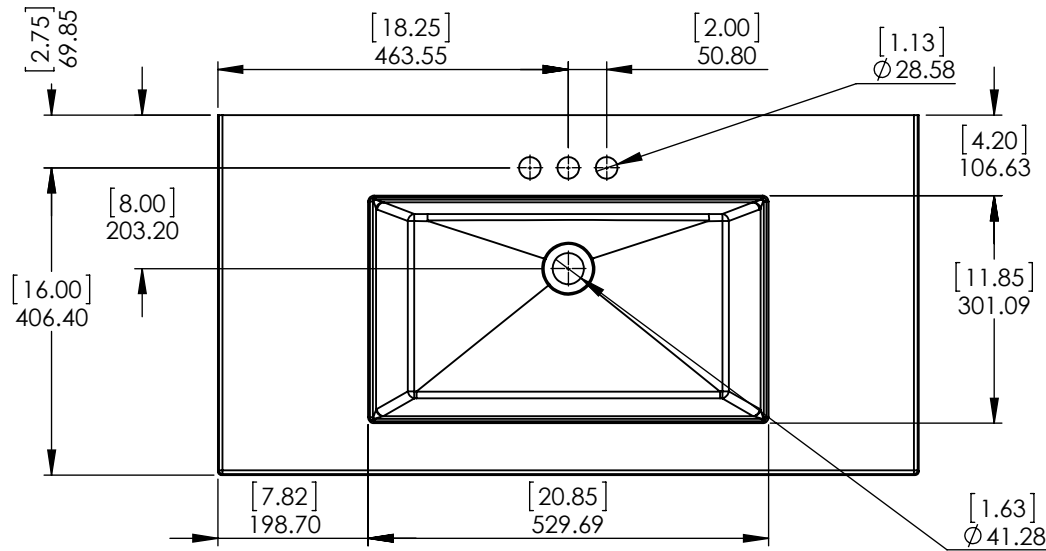
Back View / Vista Trasera



PROPRIETARY AND CONFIDENTIAL THE INFORMATION CONTAINED IN THIS DRAWING IS THE SOLE PROPERTY OF WOODCRAFTERS HOME PRODUCTS L.L.C. ANY REPRODUCTION IN PART OR AS A WHOLE, WITHOUT THE WRITTEN PERMISSION OF WOODCRAFTERS HOME PRODUCTS L.L.C. IS PROHIBITED.	Tolerancia no epespecificada		Drawn By / Dibujado por:	Adolfo Gallegos	05/24/19	Cabinet Name/Nombre de Gabinete: WALL HUNG 36 DARK OAK	FIG ID:
	Lineal ±0.5mm	Angular ±0.5°	Checked By / Revisado Por:	Karina Navarro	05/24/19		
			Approved By / Revisado Por:	Eduardo Cisneros	05/24/19	# of Drawing/ de Dibujo:	PAGE 1 OF 1 REV: 0

ID	Description	Technology	Status
595426	Vtop Oslo 36.5x18.75 White	Solid White	Approved for production

Rev #	Approved by	Change
0	R. Rubio	Released



NOTE: MAX. WARPAGE
TOLERANCE 1/8"

PROPRIETARY AND CONFIDENTIAL
THE INFORMATION CONTAINED IN THIS DRAWING IS THE
SOLE PROPERTY OF WOODCRAFTERS. ANY
REPRODUCTION IN PART OR AS A WHOLE WITHOUT THE
WRITTEN PERMISSION OF WOODCRAFTERS IS PROHIBITED.

UNLESS OTHERWISE SPECIFIED
DIMENSIONS ARE IN MM.
AND (INCHES)
TOLERANCES ARE
+ 0.125 [3.175] - 0.125 [-3.175]
SCALE:1:10

	NAME	DATE
DRAWN	R. Rubio	11/01/16
CHECKED	R. Rubio	11/01/16
ENG APPR.	R. Rubio	11/01/16
MFG APPR.	C. Leal	11/01/16



SIZE	DWG. NO.	SHEET 1 OF 1	REV: 0
A	Vtop Oslo 36.5x18.75 4in		