

UVH13012MSS/UVH13013MDS/UVH13013MTS/UVH13014MWM

Kitchen Hub

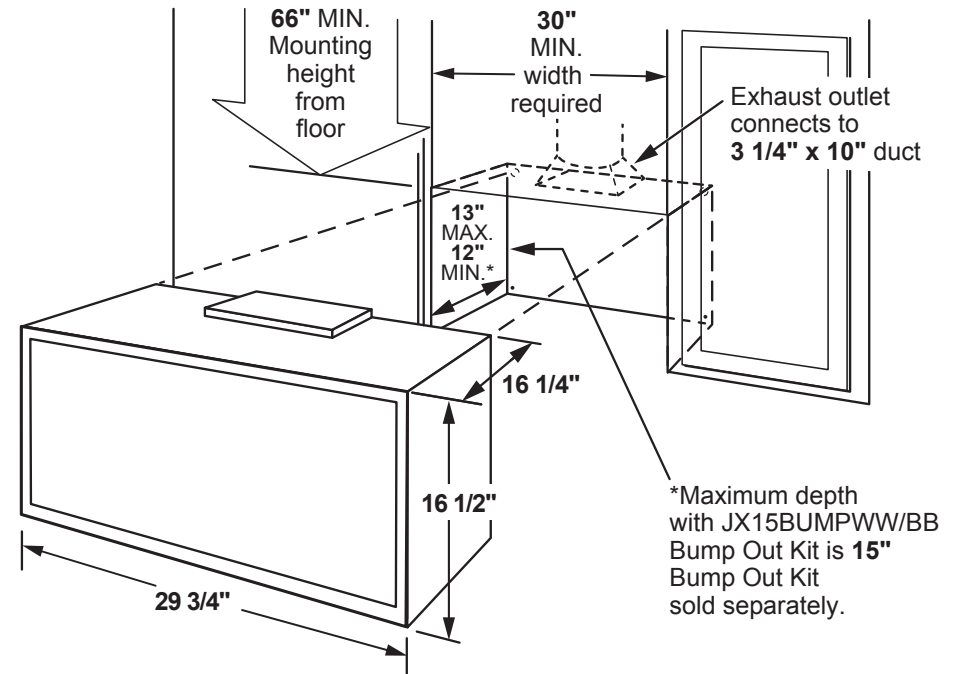
DIMENSIONS AND INSTALLATION INFORMATION (IN INCHES)

NOTE: Requires 120V grounded outlet. Electrical receptacle must be located in cabinet above unit. No additional wiring, venting or cabinet rebuilding necessary in many cases. Complete detailed, easy-to-follow installation instructions and convenient full-size templates are packed with the Kitchen Hub.

IMPORTANT INFORMATION: When installing the unit over a range, allow minimum of 2" from bottom of unit to top of range backguard to allow for removal of light and vent covers.

VENTILATION OPTIONS: The Kitchen Hub is designed for adaptation to the following three types of ventilation:
-Outside exhaust (vertical – as shown)
-Outside exhaust (horizontal)
-Recirculating (non-vented ductless – see Filter Kit drawing in installation instructions)

INSTALLATION INFORMATION: This information is not intended to be used for installing unit described. Before installing, consult installation instructions packed with product/kit for current dimensional data.



For answers to your Monogram, GE Café™ Series, GE Profile™ Series or GE Appliances product questions, visit our website at geappliances.com or call GE Answer Center® Service, 800.626.2000.



Specification Revised 2/19

UVH13012MSS/UVH13013MDS/UVH13013MTS/UVH13014MWM

Kitchen Hub

DIMENSIONS AND INSTALLATION INFORMATION (IN INCHES)

HOOD EXHAUST DUCT: Outside ventilation requires a HOOD EXHAUST DUCT. Read the following carefully.

EXHAUST CONNECTION: The hood exhaust has been designed to mate with a standard 3-1/4" x 10" rectangular duct. If a round duct is required, a rectangular-to-round transition adaptor must be used. Do not use less than a 6" diameter duct.

REAR EXHAUST: If a rear or horizontal exhaust is to be used, care should be taken to align exhaust with space between studs, or wall should be prepared at the time it is constructed by leaving enough space between the wall studs to accommodate exhaust.

MAXIMUM DUCT LENGTH: For satisfactory air movement, the total duct length of 3-1/4" x 10" rectangular or 6" diameter round duct should not exceed 140 equivalent feet.

ELBOWS, TRANSITIONS, WALL AND ROOF CAPS, ETC., present additional resistance to airflow and are equivalent to a section of straight duct which is longer than their actual physical size. When calculating the total duct length, add the equivalent length of all transitions and adaptors plus the lengths of all straight duct sections. The chart below shows the approximate feet of equivalent length of some typical ducts.

DUCT	EQUIVALENT FEET
A. Rectangular-To-round Transition Adaptor	5 ft.
B. Wall Cap	40 ft.
C. 90° Elbow	10 ft.
D. 45° Elbow	5 ft.
E. 90° Elbow	25 ft.
F. 45° Elbow	5 ft.
G. Roof Cap	24 ft.



For answers to your Monogram, GE Café™ Series, GE Profile™ Series or GE Appliances product questions, visit our website at geappliances.com or call GE Answer Center® Service, 800.626.2000.

UVH13012MSS/UVH13013MDS/UVH13013MTS/UVH13014MWM

Kitchen Hub

FEATURES AND BENEFITS

Guided Cooking App – Step up your cooking game with the Recipe App that provides step-by-step instructions for thousands of recipes and lets you snap and store images of your favorite family recipe cards

U+ Connect Smart Home App – Control your entire smart home from one place with a platform that lets you interact with your GE Appliances and other connected devices—including adjusting your Nest Thermostat or dimming your Philips Hue lights—and more!

Dual Camera System – Video chat, cook live with a loved one, or snap pictures of your food and share them on social media with front-facing and overhead cameras

Entertainment – Stream music, shows and movies using your favorite entertainment apps such as Netflix, Hulu and Spotify, right in your kitchen

Google Assistant – Use your voice to preheat your oven, extend tumbling on your dryer, progress to the next step in the Recipe App, check your calendar, respond to texts and more

Google Apps – Keep your favorite apps close at hand in the kitchen. Download any app that's available in the Google Play Store, including those that control your smart home products.

Ventilation System – Keep your kitchen air fresh and odor free with a 600-CFM, vertical exhaust ventilation system with variable speed fan control and illuminate the cooktop with LED lighting

Model UVH13012MSS – Stainless Steel

Model UVH13013MDS – Matte Black

Model UVH13013MTS – Black Stainless

Model UVH13014MWM – Matte White

