

ITEM #XXXXX
MODEL #XXXXX

Use and Care Guide

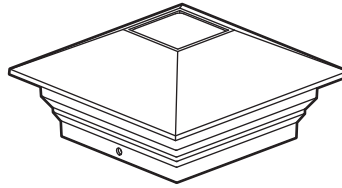
Solar Post Cap

TOOLS REQUIRED



Phillips
screwdriver

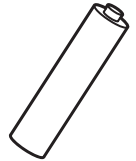
PACKAGE CONTENTS



Post Cap (1)



Installation
Screw (2)

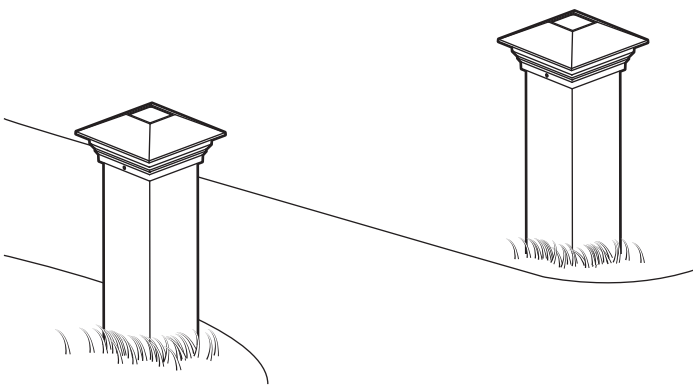


600 mAh Ni-Cd
Rechargeable Battery (1)

Installation

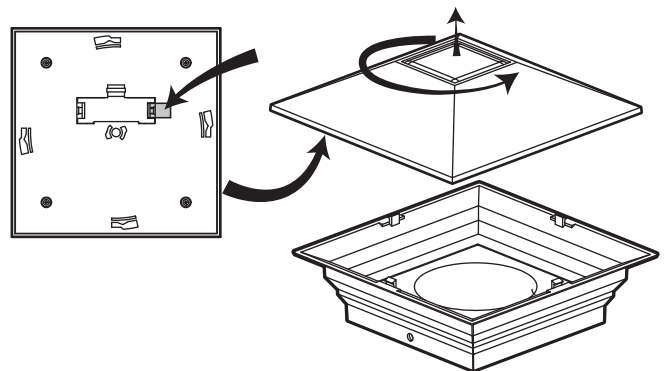
1 Choosing a location

- Choose a location that gets a full day of direct sunlight. Avoid shaded areas.
- Ensure the fixture receives a minimum of 8 hours of sunlight per day to ensure optimal performance at night.
- Avoid an installation area that is near nighttime light sources, such as street or porch lights. These light sources may be bright enough to turn the fixture off.



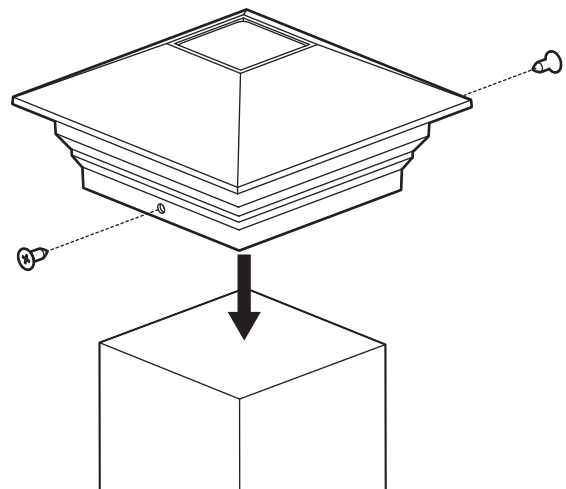
2 Preparing for installation

- Remove the post cap and screws from the box.
- Gently remove the protective film from the solar panel.
- Remove the top portion from the post cap by holding the bottom and rotating the top counterclockwise.
- Remove the pull-tab from the battery compartment to activate the battery.
- Reassemble the post cap.



3 Installing the post cap

- Place the post cap on top of your 4x4 post, and secure it with the screws included in the box.



Operation

HOW SOLAR WORKS

During the day, the solar panel collects sunlight and converts it into electrical power that is stored in the rechargeable battery (included). At night, the photocell (light sensing device) senses the absence of light and turns on the light using the electricity stored during the day. The more sunlight the fixture gets, the stronger the charge will be and the longer the bulb will stay lit.

Solar post cap lights utilize LED technology to provide light. LED bulbs are an efficient source of light compared to other types of bulbs and they rarely need replacement.

Troubleshooting

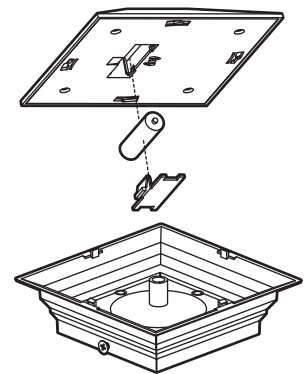
Problem	Possible Cause	Solution
The solar light does not turn on at night or the amount of time that it operates during the night is shorter.	The battery is not fully charged.	Ensure the solar light is located in an area where it can receive the maximum amount of full, direct sunlight everyday. If the solar light does not receive enough sunlight during a day (e.g. due to cloudy or overcast weather conditions), it will be recharged on the next sunny day and resume normal operation. Keeping the solar panel clean is equally important to ensure the maximum charging performance.
	The solar light is installed close to other light sources which are causing the photocell to turn the fixture off.	Relocate the fixture to a place with no other light sources, or remove the other light sources from the fixture location.
	The battery is reaching the end of its useful life.	Replace the rechargeable battery with a rechargeable battery that has a similar rating and type. Do not use a non-rechargeable battery.
	There is not enough direct sunlight.	Ensure the solar light is not installed in a shaded area, such as in the shadows or trees or a house.
	The pull tab may not be fully removed from the battery compartment.	Remove the battery, and verify that the pull tab is completely removed.

Maintenance – Replacing the Batteries



CAUTION: Always dispose of recyclable batteries at a proper battery disposal facility. Do not dispose in fire or attempt to open a sealed battery. Use only a similar rating and type of battery as the one that came with the fixture. Do not mix old and new batteries.

- Remove the top portion from the post cap by holding the bottom and rotating the top counterclockwise.
- Remove the battery cover, and replace the old battery, ensuring the new battery is inserted correctly.
- Reassemble the post cap.



Warranty

One year limited warranty

Contact the Customer Service Team at 1-877-527-0313 or visit www.HomeDepot.com.