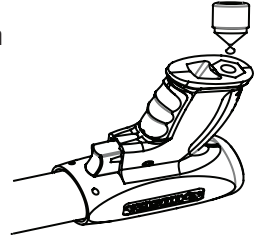


Maintenance

Ensure the air line is shut-off and drained of air before removing this tool for service. This will prevent the tool from operating if the throttle is accidentally engaged.

LUBRICATION

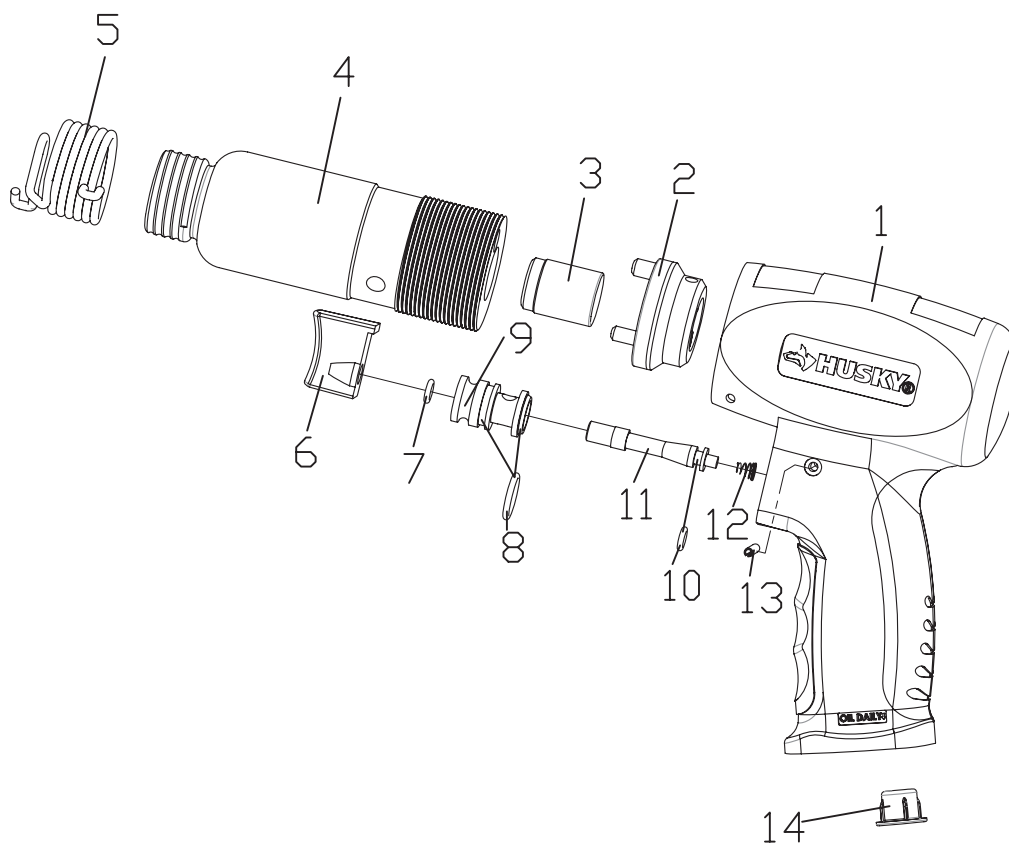
- An in-line filter-regulator-lubricator is recommended as it increases tool life and keeps the tool in sustained operation.
- Regularly check and fill the in-line lubricator with air tool oil. Avoid using excessive amounts of oil.
- Adjust the in-line lubricator by placing a sheet of paper next to the tool's exhaust ports and holding the throttle open approximately 30 seconds. The lubricator is properly set when a light stain of oil collects on the paper.
- If it is necessary to store the tool for an extended period of time (overnight, weekend, etc.), generously lubricate the tool through the air inlet. Run the tool for approximately 30 seconds to ensure the oil is evenly distributed throughout the tool. Store the tool in a clean and dry environment.
- Recommended lubricants: Air tool oil or any other high grade turbine oil containing moisture absorbent, rust inhibitors, metal wetting agents, and an EP (extreme pressure) additive.



Troubleshooting

| Problem | Possible Cause | Solution |
|--|-----------------------------------|--|
| The tool runs slowly or will not operate. | There is grit or gum in the tool. | Flush the tool with air tool oil or gum solvent. |
| | The tool is out of oil. | Lubricate the tool according to the lubrication instructions in this manual. |
| | The air pressure is low. | <ul style="list-style-type: none"> □ Adjust the regulator on the tool to the maximum setting. □ Adjust the compressor regulator to the tool's maximum setting of 90 psi. |
| | The air hose leaks. | Tighten and seal the hose fittings with pipe thread tape if leaks are found. |
| | The air pressure drops. | <ul style="list-style-type: none"> □ Ensure the hose is the proper size. Long hoses or tools using large volumes of air may require a hose with an I.D. of ½" or larger depending on the total length of the hose. □ Do not use a multiple number of hoses connected together with a quick connect fitting. This causes additional pressure drops and reduces the tool power. Directly connect the hoses together. |
| | The piston is worn or damaged. | Replace the piston. |
| | The valve assembly is worn. | Replace the valve assembly. |
| There is moisture blowing out of the tool's exhaust. | There is water in the tank. | Drain the tank. (See the air compressor manual for instructions.) Lubricate the tool and run it until water is not evident. Lubricate the tool again and run for 1-2 seconds. |

Service Parts



| Reference Number | Part Number | Description |
|------------------|-------------|------------------|
| 1 | 9262420 | Housing Assembly |
| 2 | 9319115 | Valve |
| 3 | 93191192 | Piston |
| 4 | 93191193 | Cylinder |
| 5 | M99368 | Spring Retainer |
| 6 | 120520 | Trigger Button |
| 7 | 93191197 | O-Ring |

| Reference Number | Part Number | Description |
|------------------|-------------|--------------------|
| 8 | 115160 | O-Ring |
| 9 | 120120 | Trigger Valve Body |
| 10 | 931911910 | O-Ring |
| 11 | 120220 | Valve Stem |
| 12 | 118020 | Throttle Spring |
| 13 | 111230 | Trigger Pin |
| 14 | 931911914 | Plastic Plug |