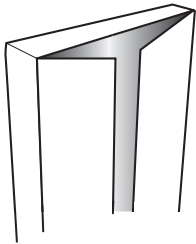


Premium Security Screen Door Installation Instructions

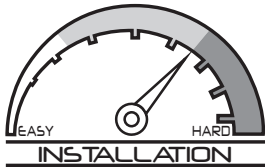


- Read completely through the installation instructions before proceeding with installation
- Installation requires two people
- Use appropriate protective equipment, including safety glasses
- Children should not be allowed in work area
- Failure to install door correctly could result in injury



RETAIN PACKAGING DURING INSTALLATION

Do NOT discard packaging materials until installation is complete



PROFESSIONAL INSTALLATION RECOMMENDED

Above average degree of difficulty. Requires installation experience.



helpmeinstallit.com

NEED HELP?

REVIEW INSTALLATION VIDEO

Even professional installers will benefit from watching.



1-866-317-8867
support@uhdco.com

CONTACT US BEFORE RETURNING

Customer service and technical support are available.
Monday - Friday: 6:30am - 4pm PST

RECOMMENDED TOOLS



Safety Glasses



Measuring Tape



Pencil

Box Cutter



Drill Bits

1/8" & 3/32"
minimum length: 2-3/4"



Drill



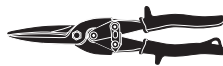
Needle Nose
Pliers



Square



Phillips-head & Flat-blade
screwdriver



Tin Snips



Level



Rubber Mallet



Wood Blocks (2"x4"x6")
Shims



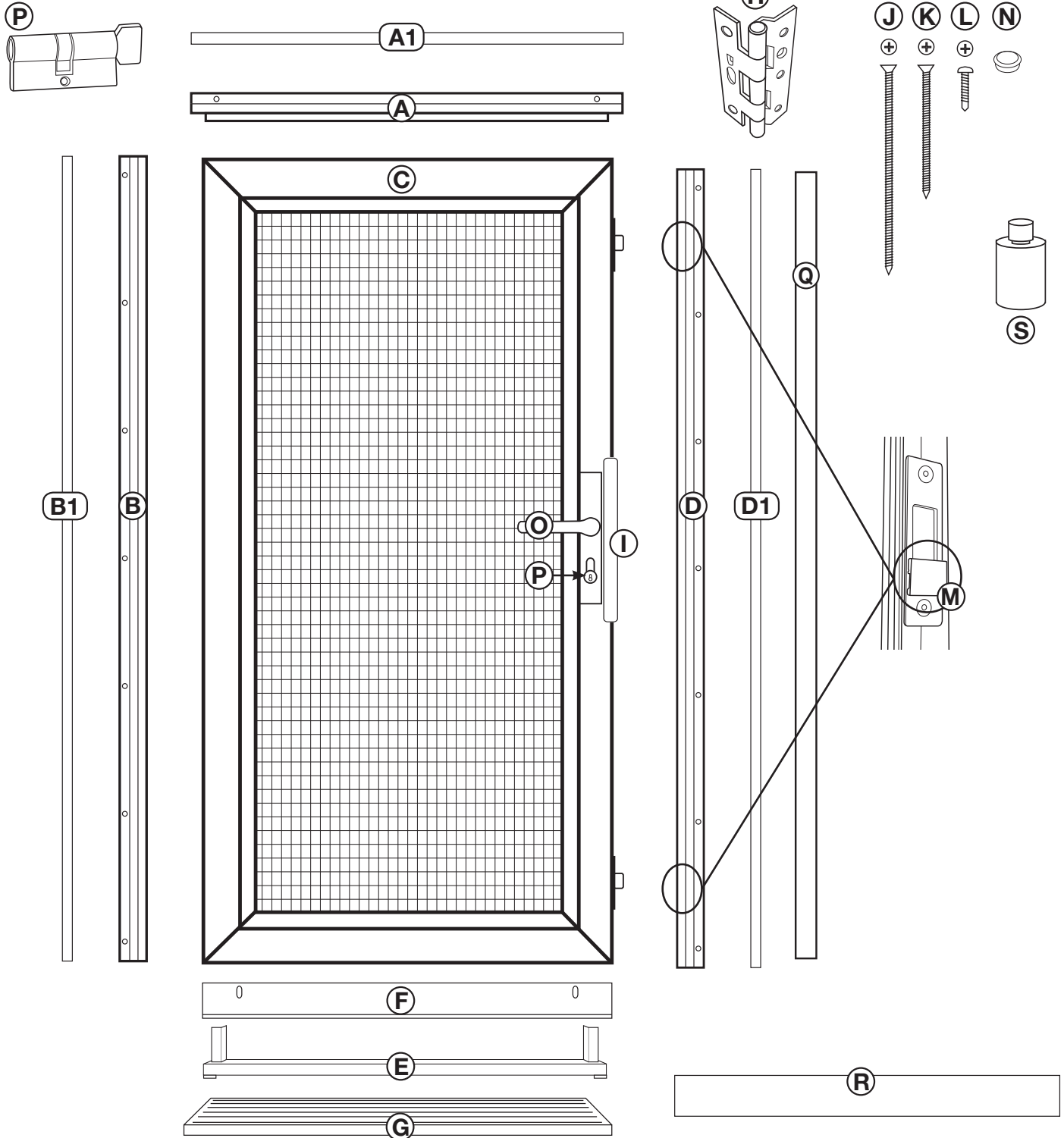
Paintable Caulk &
Caulk Gun

DOOR PARTS

- A) Top header jamb
- A1) Top header jamb snap cover
- B) Hinge-side jamb
- B1) Hinge-side snap cover
- C) Security screen door
- D) Lock-side jamb
- D1) Lock-side snap cover
- E) Bottom bar
- F) Bug sweep
- G) Threshold plate

HARDWARE & FASTENERS

- H) Hinges (3)
- I) Latch guard
- J) #10x3-1/2" flat-head screws (12 pcs.)
- K) #6 x1-5/8" temporary drywall screws (6 pcs.)
- L) #6x5/8" pan head screws (white - 10 pcs, black - 10 pcs)
- M) Alignment clips
- N) Screw cover caps (white - 2 pcs)
- O) Handles (2)
- P) Lock cylinder (1)
- Q) Throw protector (do not remove until step 7)
- R) Threshold template
- S) Touch-up paint



1 Identify and prepare mounting surface

Inspect Your Entryway for Obstructions

Check for any obstructions above and around your entryway that may prevent the outward swing of your new security door, and/or its installation, such as:

- Light fixtures
- Low overhang
- Door bell
- Trees, bushes, or hanging plants

Determine Type and Readiness of Mounting Surface

Your security door will require a minimum mounting surface of 1" on the trim above, and on both sides of your entry door. Mounting screws must be secured to a stud in the wall. Review diagrams at right and determine which one most resembles the trim around the entry door to which you will mount your security door.

Measure Your Opening

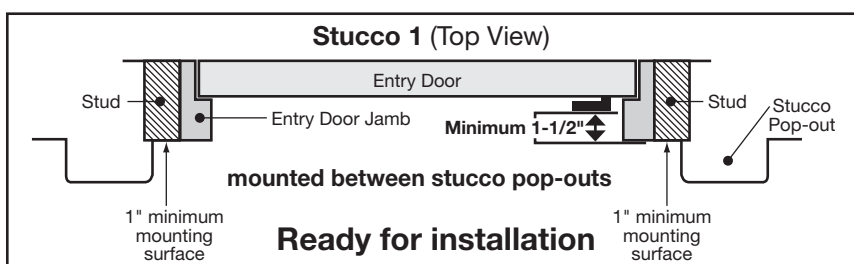
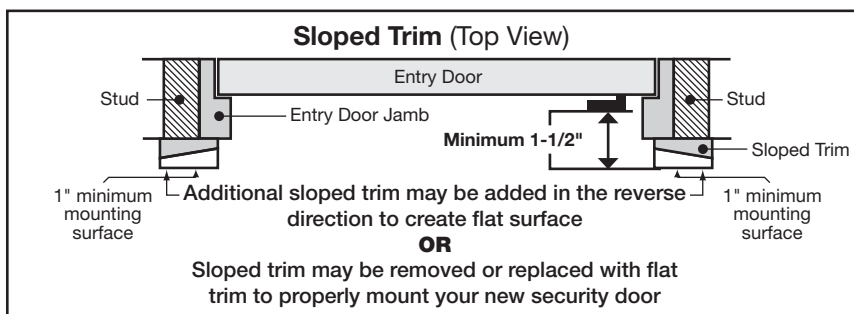
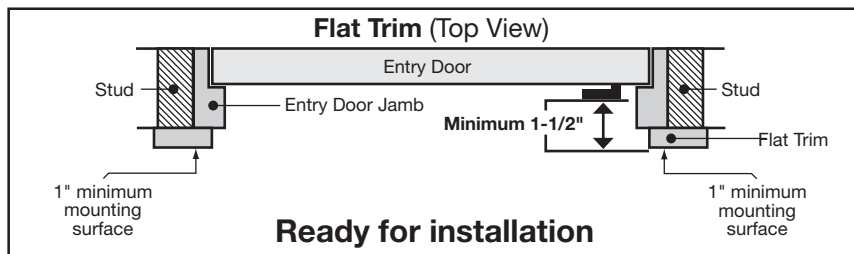
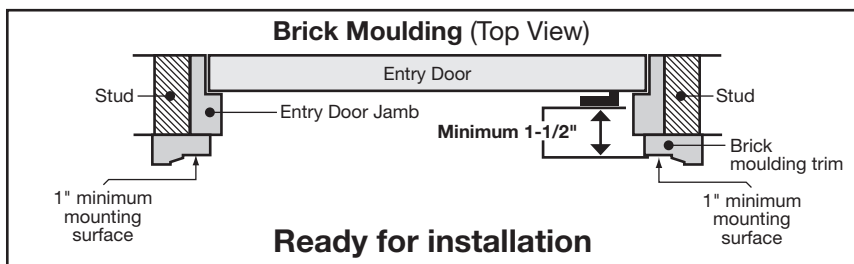
Measure between the inside edges of the left and right mounting surfaces for opening width. Measure between the bottom edge of the upper mounting surface and the existing threshold for opening height. Use the following chart and these measurements to be sure the security door will fit your opening.

Security Door Size	Fits Door Opening Sizes	
	Width (W)	Height (H)
32" x 80"	31 7/8" - 32 3/8"	78 1/2" - 79 5/8"
36" x 80"	35 7/8" - 36 3/8"	

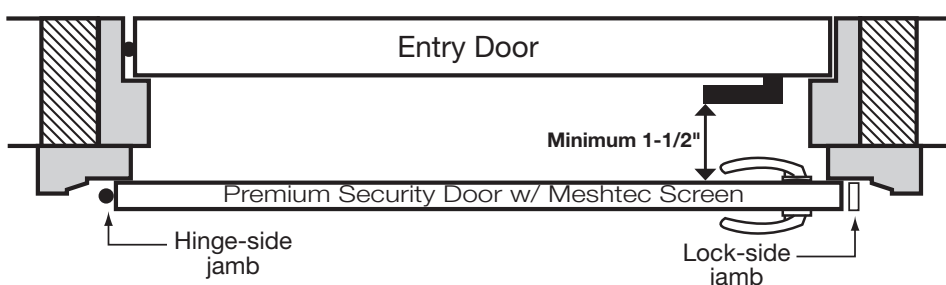
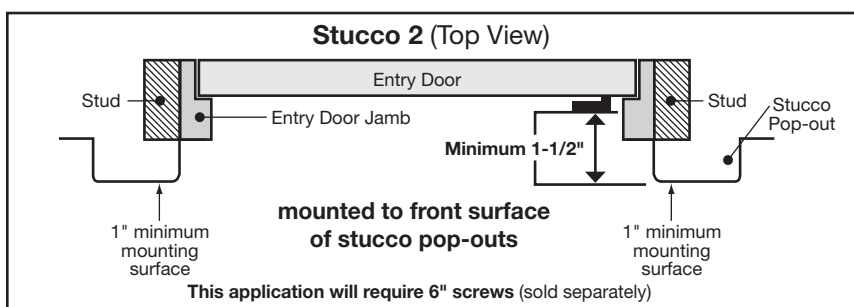
If the opening identified does not fall within the fit range, you can check to see if there is another mounting surface in your entryway that will work, build your mounting surface out using stop or similar trim, or remove and reconfigure your trim to fall within the fit range.

Check for Hardware Interference

Measure the depth from the corner of your mounting surface to your existing entry door hardware. If this measurement is 1-1/2" or greater there is no potential for hardware interference. If the measurement is less than 1-1/2", measure from the edge of the mounting surface on top of the door to the top and bottom edge of the part of your existing hardware that intrudes into the 1-1/2" clearance. If either of these two measurements falls between 39-1/4" and 43-1/4", the security door and existing door hardware will interfere with each other. You can either build your mounting surface out to create the clearance required or mount your security door with an opposite swing to your main entry door.



CAUTION: Check closely for possible hardware interference!



2 Determine your threshold configuration

Look at your existing entry door threshold and use the diagrams below to determine which threshold configuration best applies to your entryway. This will determine whether a bottom bar is or is not required for your security door.

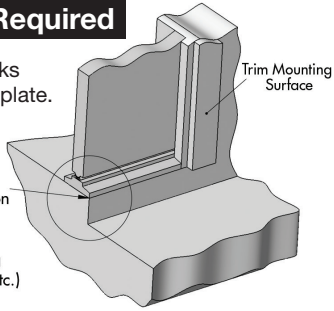
Bottom Bar Required



The concrete is set back and lacks space to mount to the threshold plate.

Threshold near edge of foundation

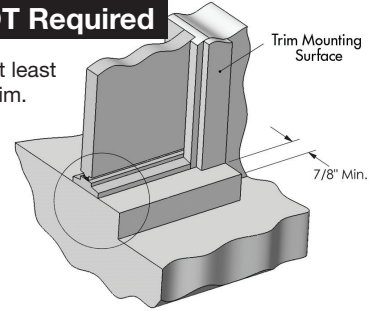
Exterior landing (walkway, patio, etc.)



Bottom Bar NOT Required

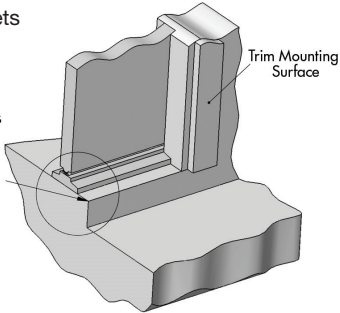


The concrete extends at least 7/8" further than your trim.

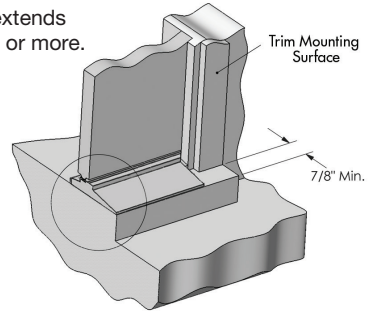


The concrete and threshold sets back behind the trim.

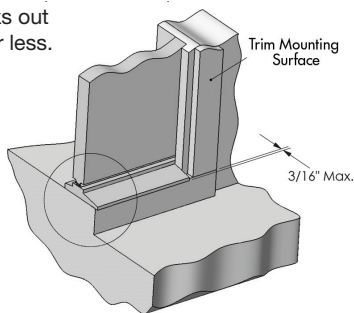
Foundation forms a ledge in front of the threshold but does not stick out past trim mounting surface



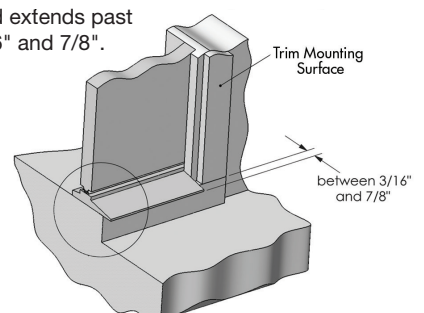
The existing threshold extends beyond the trim by 7/8" or more.



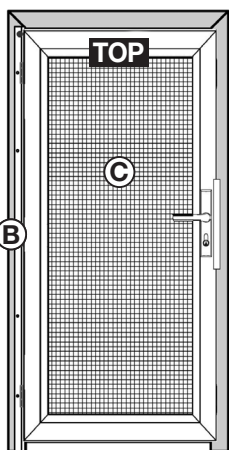
The existing threshold sticks out beyond the trim by 3/16" or less.



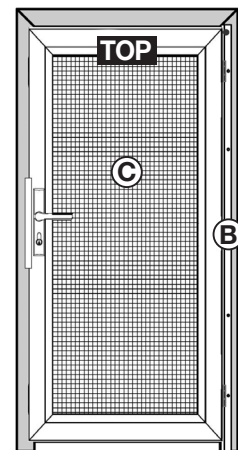
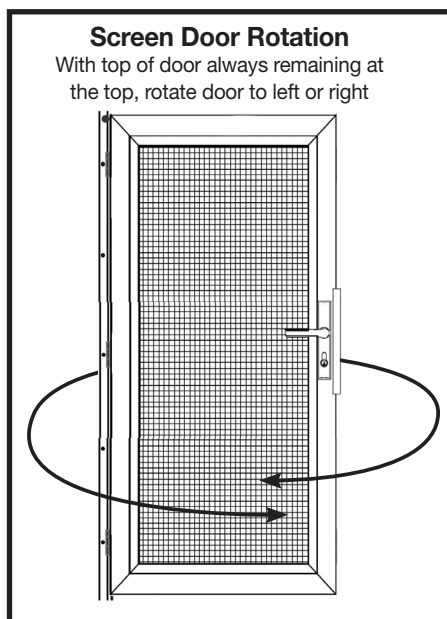
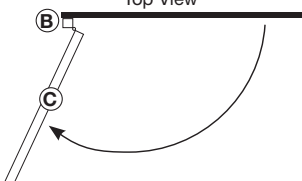
The existing threshold extends past the trim between 3/16" and 7/8".



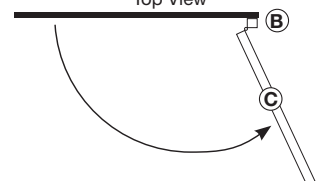
3 Determine swing



Top View



Top View



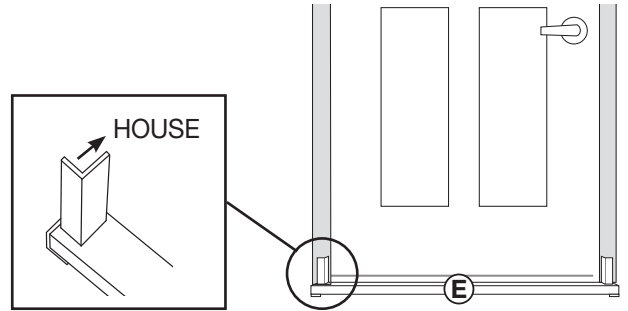
Be sure alignment clips (M) remain in lock-side jamb as installed at the factory

4 Install the bottom bar if applicable

If there is **NOT** a 2-3/4" space below both jambs it is **necessary to install the bottom bar assembly**. It is okay to move the jambs up within the doorway to ensure this space, as long as the top of the jambs do not go beyond the top-edge of your mounting surface.

The bottom bar (**E**) will need to be installed 1/8" to 1/4" lower than the existing doorway so that there is a slope to the threshold. This allows any moisture to drain away from the entry door.

Center the bottom bar in the door opening. Be sure the bracket opening is towards the house. Install the bottom bar using two black #6 5/8" pan head screws (**L**) as shown. Keep your drill on a low speed so the threads do not strip.

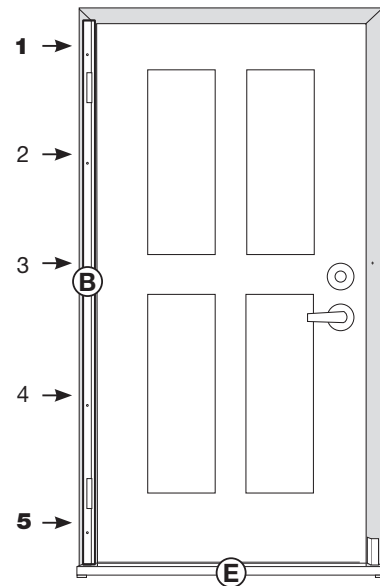


5 Install the hinge-side jamb

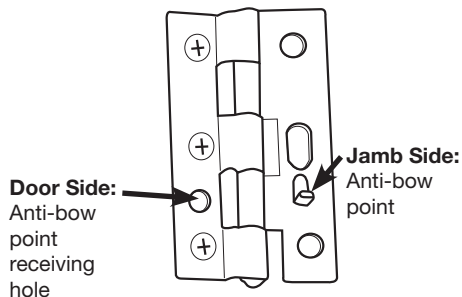
Note: As stated in Step 4, there should be a minimum of 2-3/4" space below the lock side jamb and below the entire width of the door to allow space for the bottom bar. If a 2-3/4" space exists across the entire doorway, you do **NOT** need to install a bottom bar.

Place the **hinge-side jamb (B)** into position over bottom bar (**E**), verify that it is plumb and level against the mounting surface, and install two #6 1-5/8" dry wall screws (**K**) supplied into holes **1 & 5** (see diagram), and temporarily mount the hinge-side jamb (**B**).

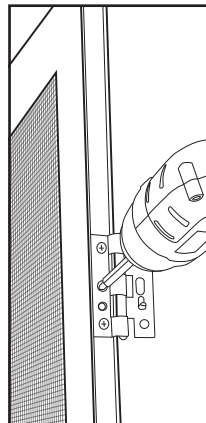
These screws are inserted to temporarily hold the jamb plumb. **Do NOT install permanent screws until the door is completely installed and working properly.**



6 Attach hinges to door and door jamb



Note: The Anti-bow point receiving hole lines up with the pre-drilled hole on the door.



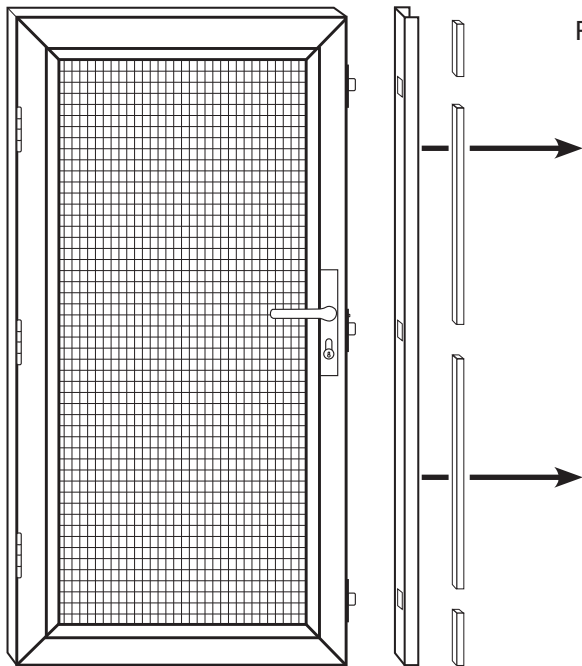
Place hinge (**H**) over pre-drilled holes on the door. The flat part of the hinge attaches to the door. The barrel side of the hinge should always be on the outside of the door. Use screws provided with the hinges and attach all 3 hinges to the door.



Have a helper hold the door in place. It is important the door is held in proper alignment so the first mounting screw in each hinge is driven straight into the door panel. It may help to use blocks or similar props to assist in keeping the door properly aligned. Attach all 3 hinges to door using the screws provided.

CAUTION: Do NOT lay door on it's side so that it rests on the 3-point lock throws. This will cause the system to offset and you will need to remove and reset the locking system (see step 13).

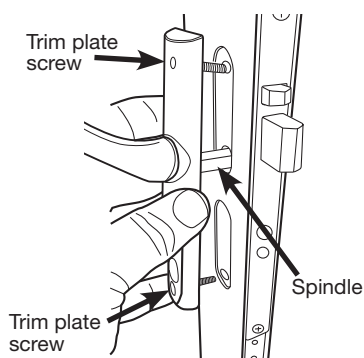
7 Remove throw protector



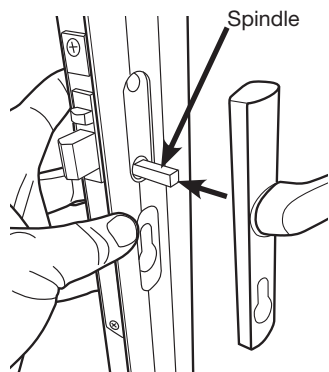
Remove tape and discard throw protector (Q).

8 Install handle and lockset

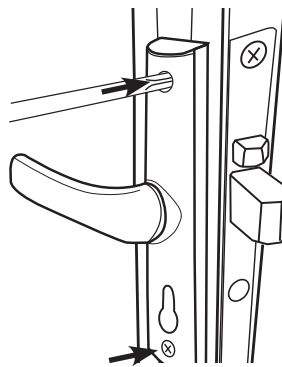
1) Start on the **interior** side of the door. With the handle (O) facing toward the screen, insert the spindle and mounting screws through the mortise gear in the door panel.



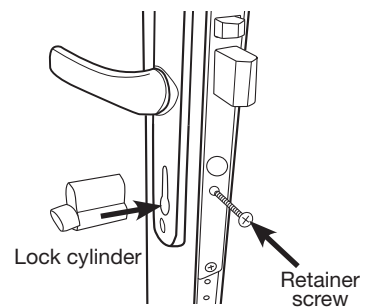
2) On the **exterior** of the door with the handle pointing toward the screen, align the openings on the inside of the handle with the spindle and mounting screws. Position the handle against door frame.



3) While holding both handle trim plates in place, tighten the mounting screws and then back off 2 turns. These screws will be tightened after the lock cylinder is installed.



4) From the **inside** of the door, insert the lock cylinder (P) into the door through the trim plate. Using a Phillips-head screw driver, tighten the retainer screw until snug. Do **NOT** over-tighten. Tighten the two handle mounting screws until snug.



9 Install the lock-side jamb

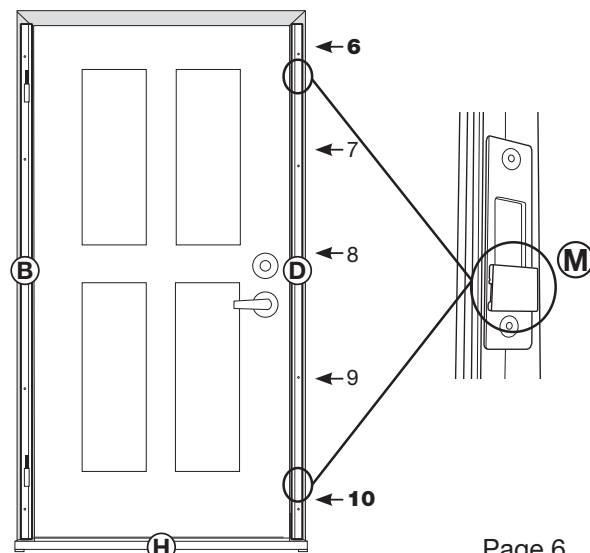
Place the **lock-side jamb (D)** into position over bottom bar (**E**), verify that it is plumb and level against the mounting surface, and install two #6 1-5/8" drywall screws (**K**) into holes **6 & 10** (see diagram).

These screws are inserted to temporarily hold the jamb plumb.

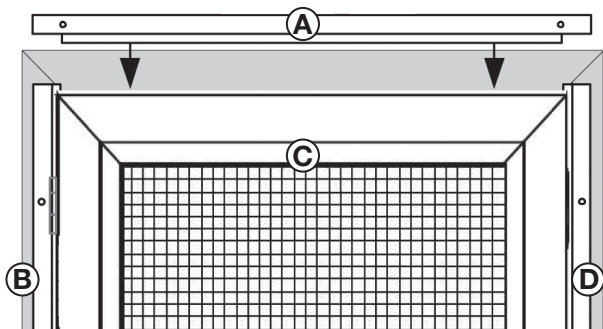
Do NOT install permanent screws until the door is completely up and working properly.

Be sure the alignment clips (**M**) remain in lock-side jamb as installed at factory. These will ensure that the 3-point locking system is in proper alignment. The system will not operate if not properly aligned.

These will be removed once door is fully installed and operating.



10 Install the top header jamb



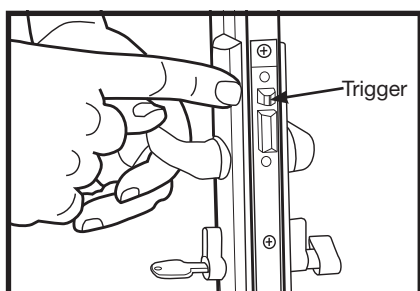
Place the **top header jamb (A)** into position, align flush on both ends with each side jamb. Install one #6 1-5/8" dry wall screw (**K**) supplied into the hole on the lock side (right side in this example diagram) to temporarily mount the top header jamb.

These screws are inserted to temporarily hold the jamb plumb. **Do NOT install permanent screws until the door is completely installed and working properly.**

11 Adjust and align door, install permanent screws

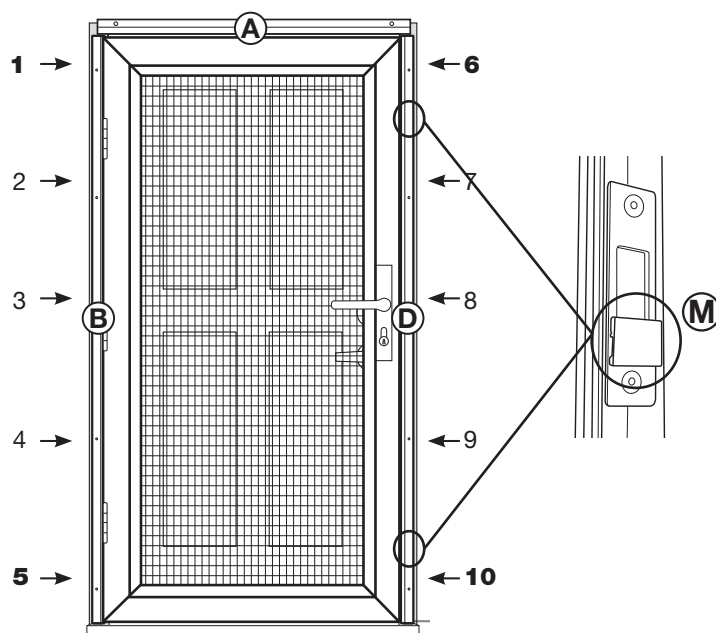
CAUTION: The door must be close enough to the lock-side jamb (**D**) to engage the 3-point locking system trigger. If not, the hardware will not operate properly.

Once in position the door should align at the top and down the side evenly. If adjustment is needed loosen (do **NOT** remove) the top temporary screw in the side jambs and the temporary screw in the top jamb (**A**). Use a rubber mallet to tap the right or left side jamb so door becomes aligned. **Test door for proper engagement of the locking system trigger** then re-tighten temporary screws.



Pre-drill with 3/32" drill bit in remaining holes 2,3,4,7,8 & 9 of side jambs and remaining hole of the top jamb then install permanent screws #10 3-1/2" flat-head screws (**J**). Remove temporary screws one at a time from holes 1,5,6,10 & top and replace with permanent #10 3-1/2" flat-head screws (**J**).

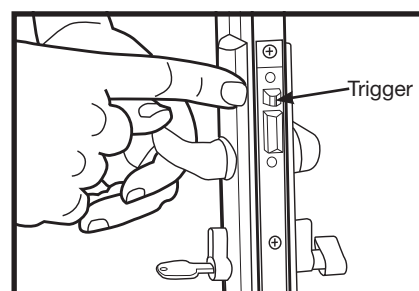
Remove alignment clips (**M**).



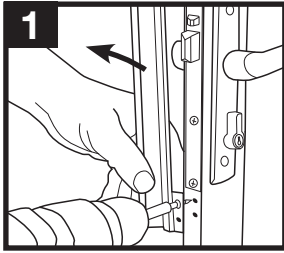
12 Test locking mechanism

With the door open, retract the 3-point locking mechanism using the key or the thumb turn. Keep the door **OPEN** and test the mechanism by first depressing the 3-point locking system trigger, then deploying the locks using the key or thumb turn. If the locks will not deploy, the system has been offset and must be manually reset.

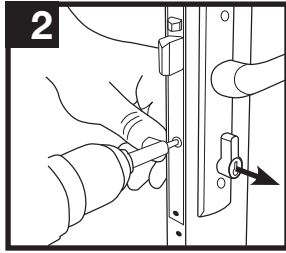
If test is successful, install screw cover caps included with door handles on interior and exterior sides of door handles. If not, proceed to step 13 before installing screw cover caps.



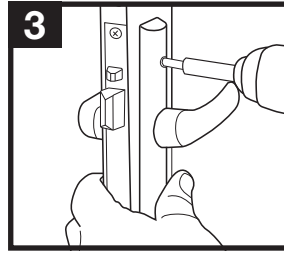
13 Reset locking mechanism IF REQUIRED



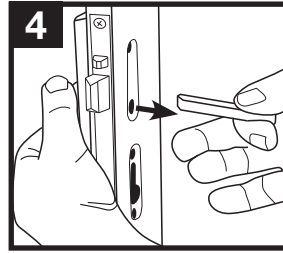
Remove latch guard, if installed (4 mounting screws, 2 top, 2 bottom, on edge of door frame).



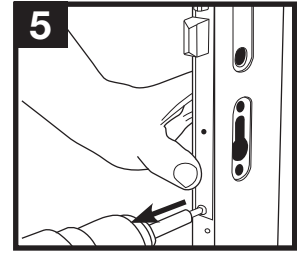
Remove cylinder by removing set screw through edge of door panel and pulling cylinder out of the door.



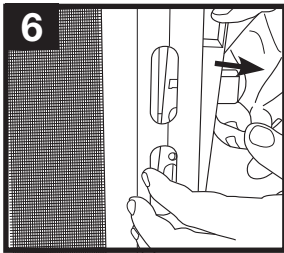
Remove handleset trim plates (2 mounting screws) – hold handles so they do not drop to floor.



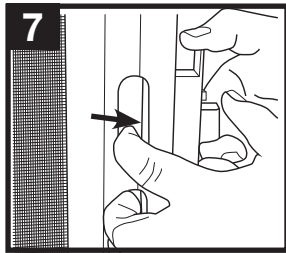
Remove handles and spindle.



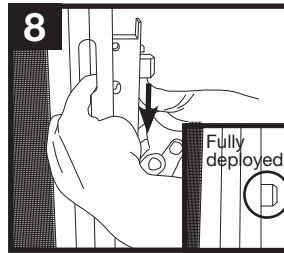
Remove the 2 mortise lock mounting screws in edge of door panel.



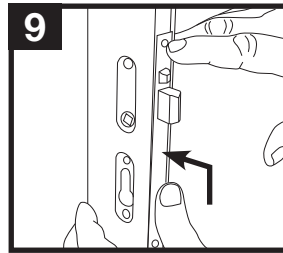
Grab main throw with one hand and pull mortise lock part way out of edge of door.



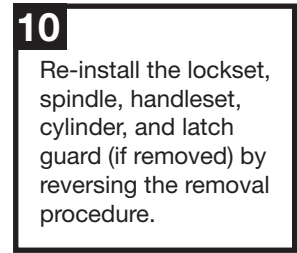
Place other hand BEHIND the black plastic linkage connector and keep pressure on it so that it stays connected to the mortise lock as you pull the mortise lock until it is almost out of the door.



With one hand still keeping pressure on the connector so it remains attached to the lock, use the other hand to move the lockset down. Listen for it to click, the top and bottom lock throws will fully deploy.

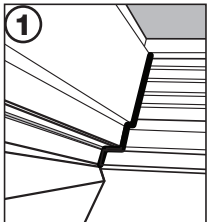


Ensuring the linkage connector stays attached to the back of the lockset, raise and slide the lockset back into the door panel.

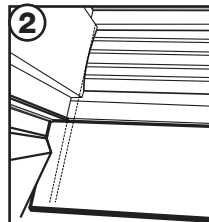


Re-install the lockset, spindle, handleset, cylinder, and latch guard (if removed) by reversing the removal procedure.

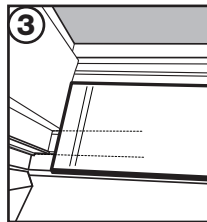
14 Install threshold plate



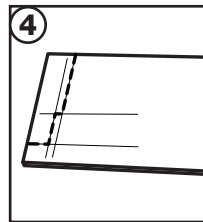
Existing door contour



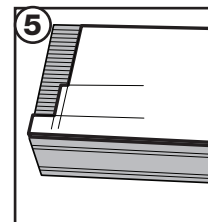
Make cardboard template



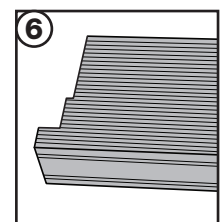
Fit template to contour



Cut template to contour



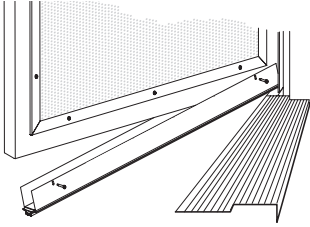
Mark threshold plate



Cut threshold plate to fit

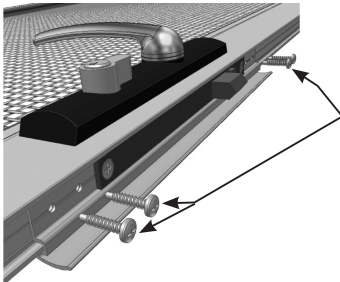
- 1 The contour of door framing varies, making it necessary to cut the threshold plate (G) to fit. We recommend cutting a cardboard template (R) to fit the opening first, to avoid cutting the threshold plate incorrectly.
- 2 Lay provided cardboard template (R) on top of the bottom bar and push into existing threshold as far as it will go. Using a straight edge, mark the template at the various widths of your existing moulding and trim at both ends.
- 3 Move template so that front edge is flush to the front edge of bottom bar (it is okay to bend template to allow to fit the shortest width between your moulding and trim). Mark at the various corners of your existing moulding and trim.
- 4 Using a box knife, cut template to shape of moulding and trim revealed by the markings. Test fit the template. (It should lay across the bottom bar, with the front edge flush to the front edge of the bottom bar, and fit in and around the corners of the existing moulding and trim.)
- 5 Once you have created a good template, use the template to mark the threshold plate.
- 6 Using tin snips/aviator snips, cut threshold plate to match the shape of the template (6). Position threshold plate to extend across the bottom bar and into the existing threshold. Use 1/8" drill bit to pre-drill holes for mounting screws. Attach threshold plate to existing threshold using the provided screws.

15 Install bug sweep



Open the door. Slip the multi-blade bug sweep **(F)** onto the bottom of the door. Hold sweep in place and close the door. Allow the sweep to fall and sit resting on the threshold plate **(G)**. **Note:** Be sure there is not a gap between the sweep and the threshold plate and that the sweep is centered on the bottom of the door. Use a 3/32" drill bit to pre-drill the two holes for mounting screws. Using the screws provided, attach the sweep to the bottom of the door. Test that the door opens and closes freely. If not, loosen the screws and make necessary adjustments. Re-tighten screws and test again. Repeat until successful. Cover screw heads with screw cover caps **(N)** provided.

16 Install latch guard

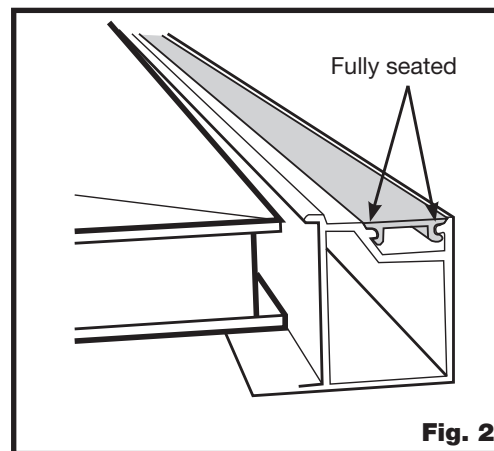
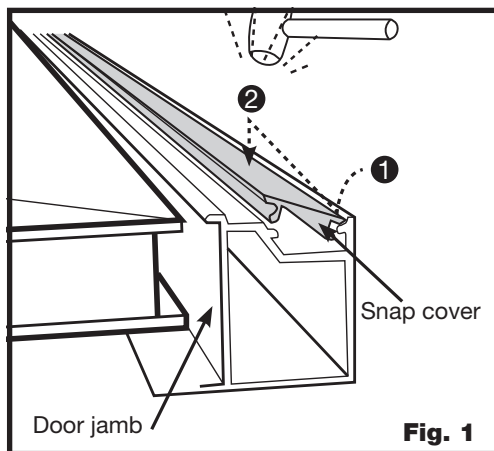


Attach the lock guard provided in the hardware box using 4 white #6 5/8" pan head screws **(L)** in the pre-drilled holes.

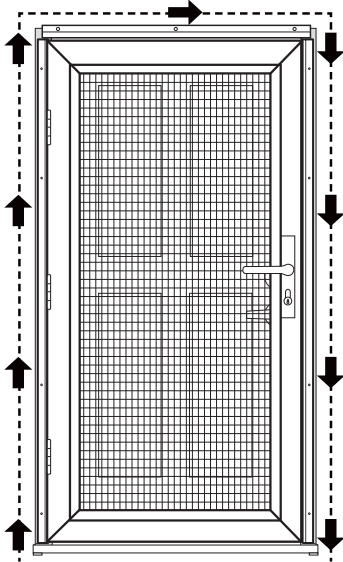
17 Install the snap covers

Place the snap cover **(A1)** in the top-header jamb **(Fig. 1, step 1)**. Using a rubber mallet, hit on the side of snap cover seen in **(Fig. 2)** to securely snap cover into place. Once snap cover is secured, hold a wood block over the length of the snap cover and hit with mallet to smooth any irregularities in the snap cover surface.

Repeat process for the hinge-side **(B1)** and lock-side **(D1)** snap covers.



Final touch-up suggestions



- ① Caulk (not included)**
Caulk around the outside of the security door jamb frame, using paintable caulk, and paint to the desired color.

- ② White Grease Lubricant (not included)**
Use white grease to lubricate the hinges of your new security door.

Care and maintenance

Over time, airborne dust, dirt, and impurities can accumulate, which will cause visual defects to your Meshtec screen and, if not regularly and properly removed, can lead to further damage, staining, and corrosion. Your cleaning schedule depends upon your environment:

ENVIRONMENT	DESCRIPTION	CLEANING SCHEDULE
Mild	Inland, rural, and away from industry and urban activity	every 6 months
Moderate	Urban/suburban, inland, and away from heavy industry	every 3 months
Extreme	Urban/suburban, coastal (within 25 miles), or near heavy industry	every 2-4 weeks

Thoroughly wash the screen and door frame using a soft cloth, mild soap, and water. Take care to avoid exposing handles, main lock, and 3-point locks to excessive amounts of water. Using a dry, soft cloth, remove any excess water when done. Pay particular attention to drying the screen to frame attachment area fully. Avoid using any sharp objects or abrasive materials on the door frame or screen. Use white grease to lubricate the hinges at each cleaning.

Warranty

Your Unique Home Designs security door with Meshtec Advanced Screen System is warranted against manufacturer defects under normal, residential use for the first 10 years you own the product, and terminates if you sell or otherwise transfer the product or the property upon which it was installed. An additional 5 years warranty protection is awarded (for 15 year total warranty) when the product is registered on-line at uniquehd.com/registration. Bug sweeps, weather-stripping, composite materials, and hardware included with or installed on the security door are covered for one year from date of purchase. Accessories fitted to the security door are not covered by this warranty, including but not limited to locks, handles, rollers, and closers. These accessories may be covered by warranties provided by the manufacturer or supplier of the products. Any problem caused by abuse, misuse, failure to follow care and maintenance instructions, adjustments due to settling of the structure that the product is mounted on, improper installation, or acts of God are not covered. Cutting parts not specified by the installation guide and parts drilled incorrectly are not included in this warranty. If manufacturer defects occur, Unique Home Designs will, at our discretion, either repair or replace the door. If your home is burglarized and entry was accomplished through a UHD security door, locked with the 3 point locking system, while this warranty is in effect, UHD will pay your insurance deductible up to \$1000 or replace, as applicable, the damaged UHD security door at no charge. Replacement items may vary in style due to changes in suppliers and product. Not all colors can be reproduced if colors have been discontinued. UHD is not responsible for any labor expense required to repair or replace the door. UHD is not responsible for securing the property while warranted items are being repaired or replaced.

To make a claim under this Warranty, send a brief written description of the problem, a picture of the claim, proof of purchase, and your contact information to: Unique Home Designs, 973 N. Colorado Street, Gilbert AZ. 85233
Attn.: Warranty Claims

"Meshtec" is the registered Trade Mark of Meshtec International Co., Ltd. ('MTC') in the United States and other various worldwide jurisdictions (including registrations pending) and may not be used without the prior written consent of MTC.

Extend Your Warranty!

When you register on-line at uniquehd.com/registration