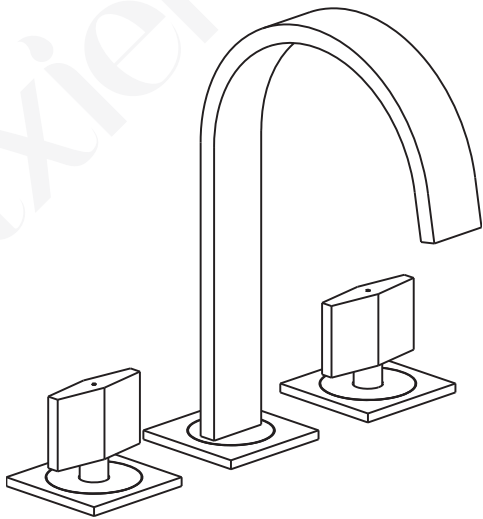


Widespread Two Handles Lavatory Faucet



Model Number:

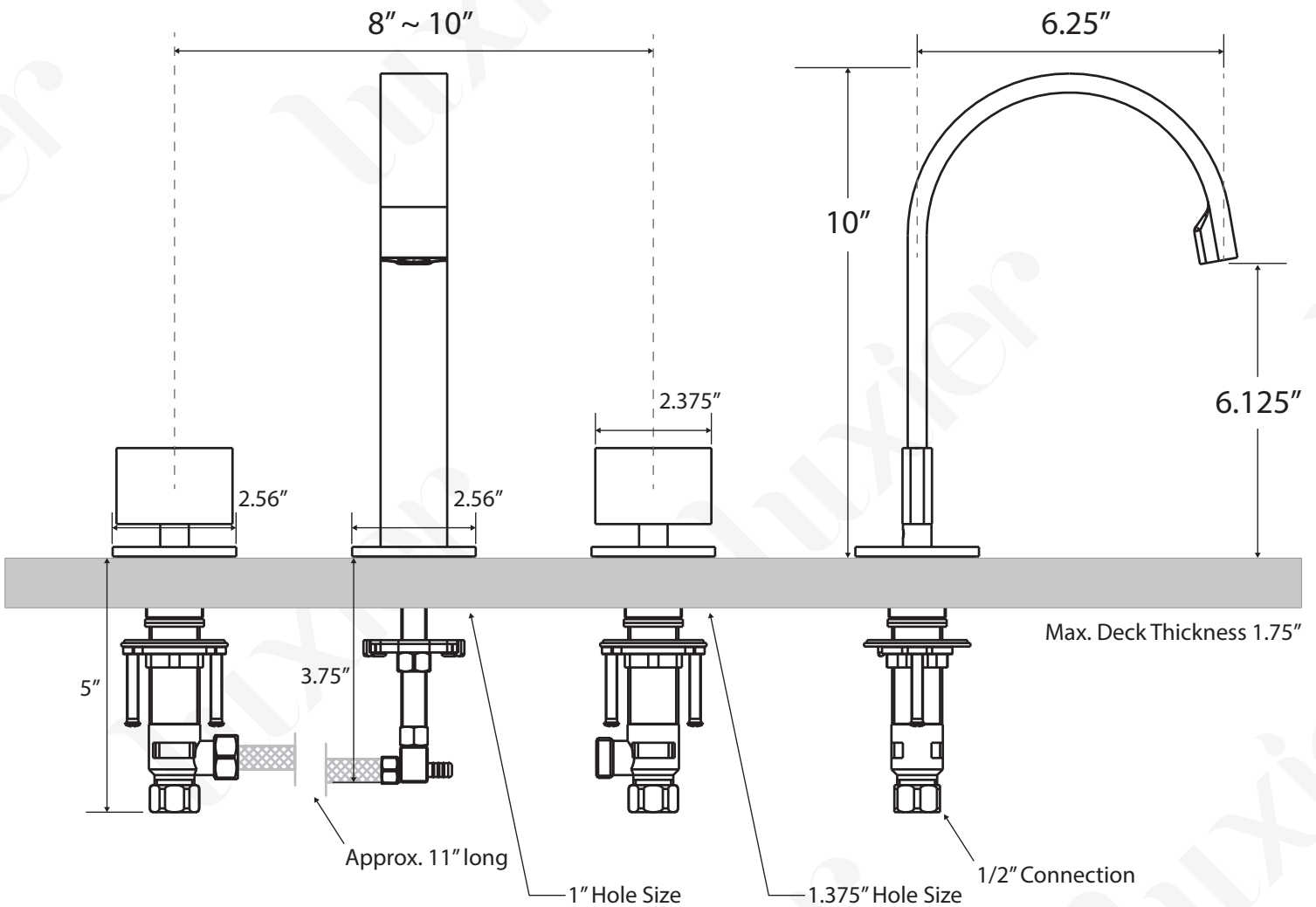
WSP05-TB

WSP05-TC

Features:

- Three Hole Installation
- Brass and Zinc Construction
- Drip Free 1/4 Turn Ceramic Cartridge
- Neoperl aerator
- Maximum flow rate 1.2 gpm at 60 psi
- Complies with:

EPA WaterSense
 ANSI / ASME A112.18.1
 IAPMO / UPC / cUPC
 CA AB-1953
 ADA
 NSF 61-9



* Drawing not to scale. All Measurements are approximate*

Thank you for purchasing Luxier products. Please read the information below and keep this installation guide for future reference. If you require assistance, please contact our customer service department at 1-877-711-8828, Monday - Friday 9AM - 5PM Pacific Time or by email at support@luxierusa.com.

Limited Lifetime Warranty (For USA Only)

The manufacturer warrants this product to be leak and drip free during daily normal household use for as long as it is owned by the original purchaser of this product. Please keep a copy of the original invoice as proof of purchase.

Should a malfunction occur within the warranty period, Luxier USA will, as its option, (1) repair or replace the defective part(s) or product at no charge; (2) issue a refund of the purchase price paid for the product (Valid within 30 days from the date of purchase); or (3) issue a credit to be applied against the purchase of a new Luxier product. Shipping/delivery charges may apply and are in Luxier USA's sole discretion.

This limited warranty shall not apply to goods which have been subject to accident, negligence, improper installation, product abuse, product misuse, or use of cleaners containing abrasives, alcohol or other organic solvents, whether performed by a contractor, service company, or yourself, are excluded from this warranty.

Our responsibility under this warranty is limited to only to replacement parts and no other costs. Luxier USA will not be responsible for labor charges and/or damage incurred by installation, repair or replacement, nor for any indirect incidental or consequential damages, losses, injury or costs of any nature relating to this faucet. Except as provided by law, this warranty is in lieu of and excludes all other warranties, conditions, and guarantees, whether expressed or implied, statutory or otherwise, including without restriction those merchantability of fitness for use.

This limited warranty is non-transferable. This limited warranty only applies to products purchased and installed in the United States. This limited warranty covers the original consumer purchase only and does not include business, commercial or industrial use of this product. To obtain service under the Limited Warranty, please contact Luxier USA at support@luxierusa.com. The Luxier USA Customer Care Department will determine whether to repair or replace your product, issue a refund, or issue a credit.

Important Points

- This installation guide is subject to change without notice, please contact us to request the most updated version of this installation guide.
- This is a general installation guideline, actual installation may vary. Consult a professional if necessary.
- Read and understand this instructions completely before installation.
- Please follow all local building and plumbing codes.
- Product drawings in this installation guide is for illustration purpose only. Actual product may vary depends on model.
- Always take extra precautions and wear appropriate safety equipment when installing this product.
- Wrap all threaded connections, except the aerator in the spout, with Teflon (PTFE) tape. Always wrap in a counterclockwise direction.
- When installing your new faucet, first hand tighten the water supply hoses then use a wrench to give the compression nuts an additional (1/4) turn. Do not over tighten the compression nuts as it will reduce the integrity of the sealed connection.

You may also need the following tools

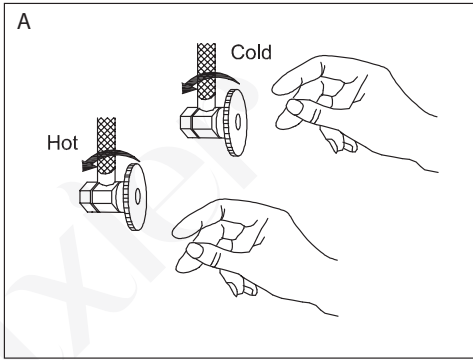
1. Safety Glasses	5. Adjustable Wrench
2. Teflon (PTFE) Tape	6. Screwdriver
3. Plumber's Putty and Caulking	7. Water Supply Hoses
4. 1 3/8" Basin Wrench or 1 11/32" Shower Valve Socket Wrench	

Maintenance Guide

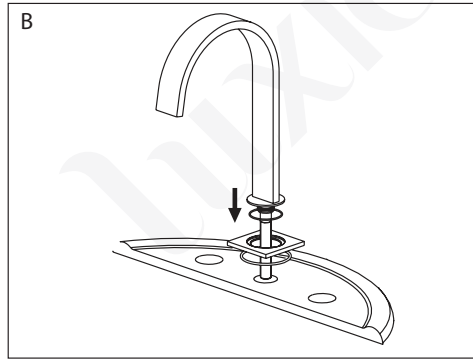
Please follow the cleaning material manufacturer's instructions. Damage caused by improper treatment will not be covered by product warranty. In addition, pay attention to the following points:

- Regular cleaning can prevent mineral build up on faucet spout.
- Carefully read the cleaner product label to ensure the cleaner is safe for use on the material.
- Test the cleaner on a small area before using on the entire surface.
- Use a mild detergent such as liquid dishwashing soap and warm water for cleaning.
- Do not use abrasive / harsh chemical when cleaning the fixture as they will damage and dull the finish.
- When using spray cleaners, spray first onto a soft cloth or sponge. Never spray directly onto the faucet as droplets can enter openings and gaps and cause damage.
- After cleaning, rinse thoroughly with clean water to remove any cleaner residue.

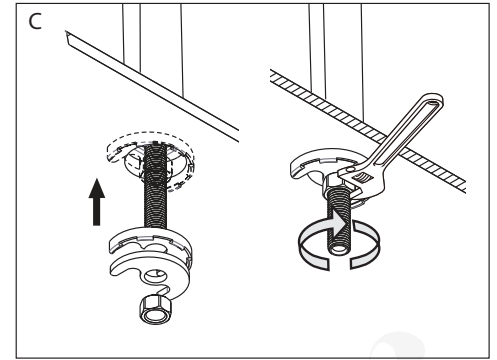
Installation



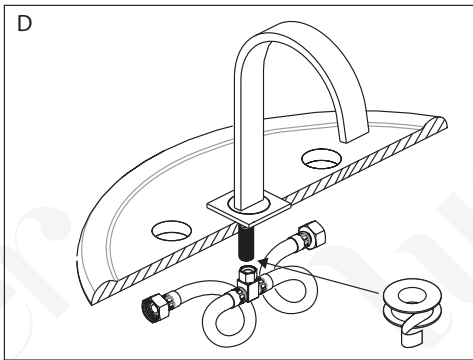
A. Shut off water supply at the valves. Remove old faucet and clean the mounting surface for installation of new faucet.



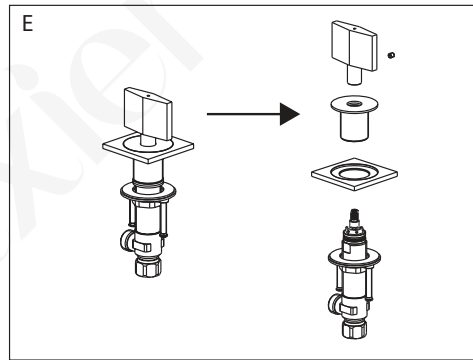
B. Place spout with flange through the center mounting hole on the mounting surface.



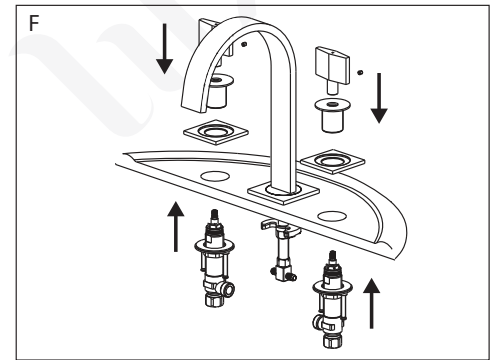
C. Insert the C shaped rubber / metal washer and locking nut on the center spout. Use an adjustable wrench to secure spout in place. (NOTE: Do not over tighten the locking nut.)



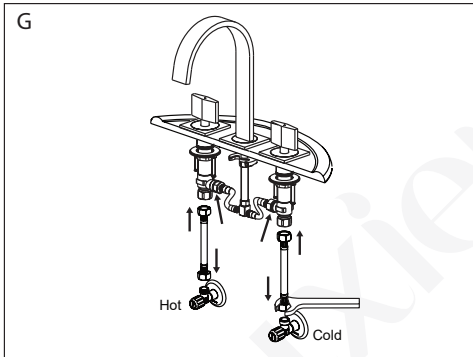
D. Apply Teflon (TPFE) tape on the thread of the center spout brass pipe. Use an adjustable wrench to tighten the fittings. (NOTE: Do not overtighten the connection.)



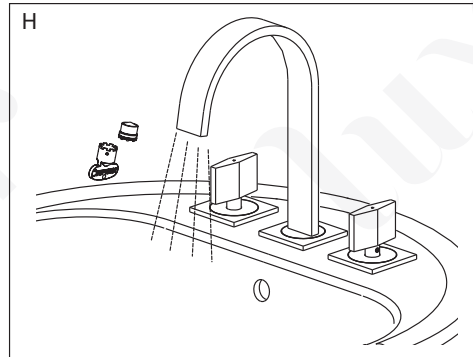
E. Use a small hex wrench to loosen the small setscrew on the handle. Lift up the decorative trim handle and remove all trim pieces.



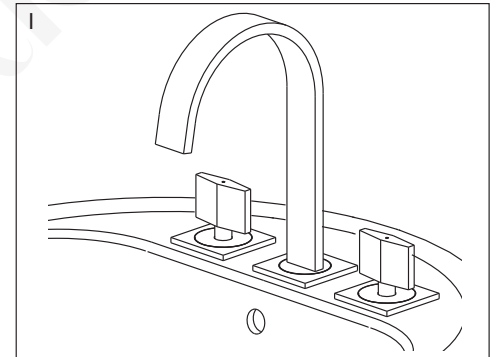
F. Insert hot and cold valves from underneath the mounting surface. Secure the handle assemblies with the decorative trims from top of the mounting surface.



G. Apply Teflon (TPFE) plumbing tape on both valve assemblies and shutoff valves. Attach water supply hoses with 1/2" fittings (not included) with an adjustable wrench. Also connect the water hose between the handle assemblies and the center spout. (NOTE: Do not overtighten the connection.)

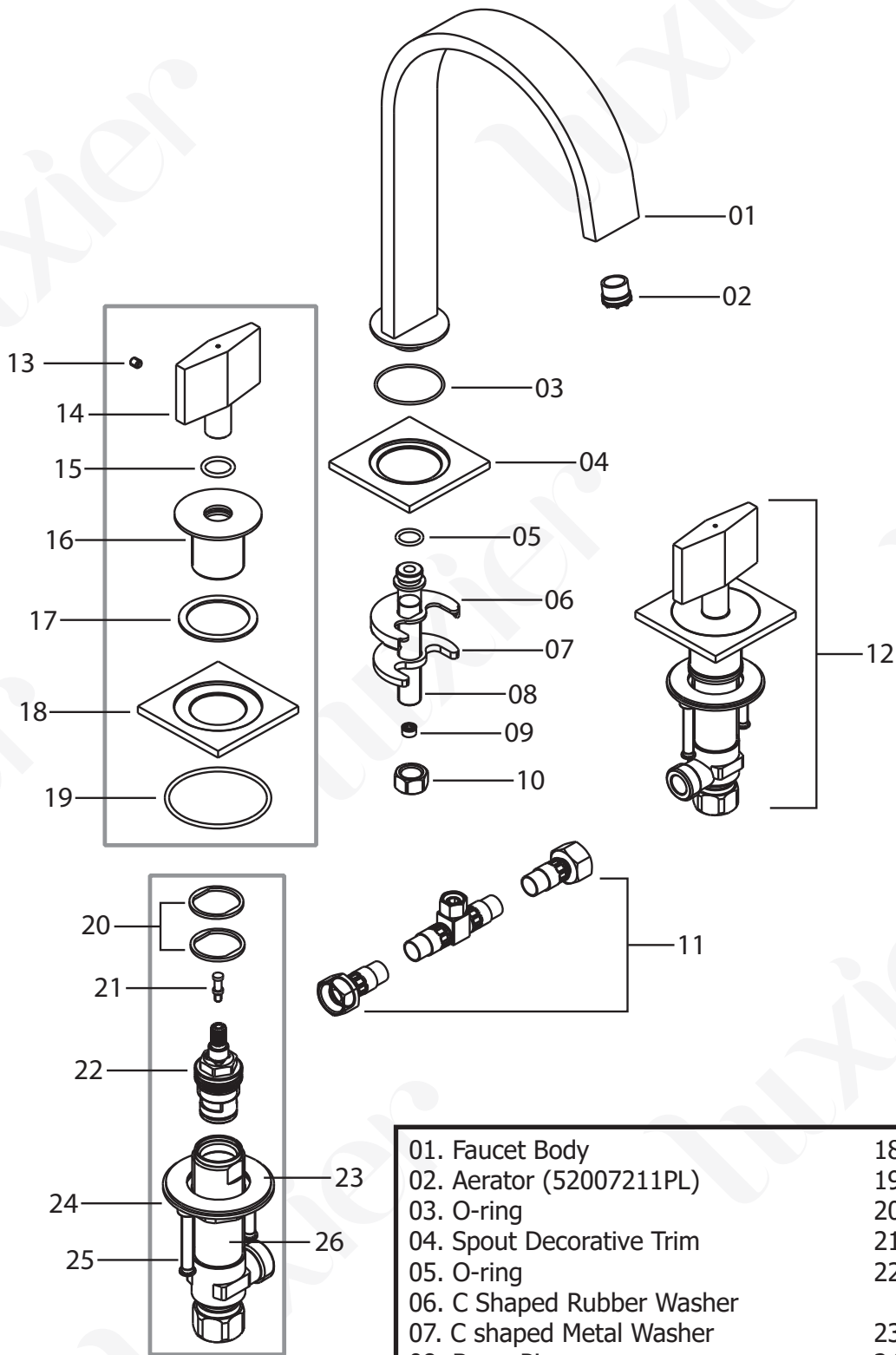


H. Use the aerator wrench to remove the aerator. Turn on both hot and cold handles and let the water run for about 1 minute to flush out any sediment or debris inside the plumbing. Also check for leaks at all connections.



I. Re-install the aerator once all connections are checked. Keep the aerator wrench for future use. The installation is complete at this time.

Parts



- | | |
|-----------------------------------|---|
| 01. Faucet Body | 18. Decorative Base Plate |
| 02. Aerator (52007211PL) | 19. O-ring |
| 03. O-ring | 20. Plastic Spacer |
| 04. Spout Decorative Trim | 21. Screw |
| 05. O-ring | 22. Cartridge (HOT 5Y01033NT7)
Cartridge (COLD 5Y01034NT7) |
| 06. C Shaped Rubber Washer | 23. Rubber Washer |
| 07. C shaped Metal Washer | 24. Metal Washer |
| 08. Brass Pipe | 25. Mounting Nut and Screws |
| 09. Flow Valve (5d0005400PL0) | 26. Valve Body |
| 10. Locking Nut | |
| 11. Connecting Hose (52009319NC7) | |
| 12. Complete Handle Assembly | |
| 13. Setscrew (5T0F0149NT) | |
| 14. Handle | |
| 15. O-ring | |
| 16. Decorative Trim with Threads | |
| 17. Rubber Gasket | |