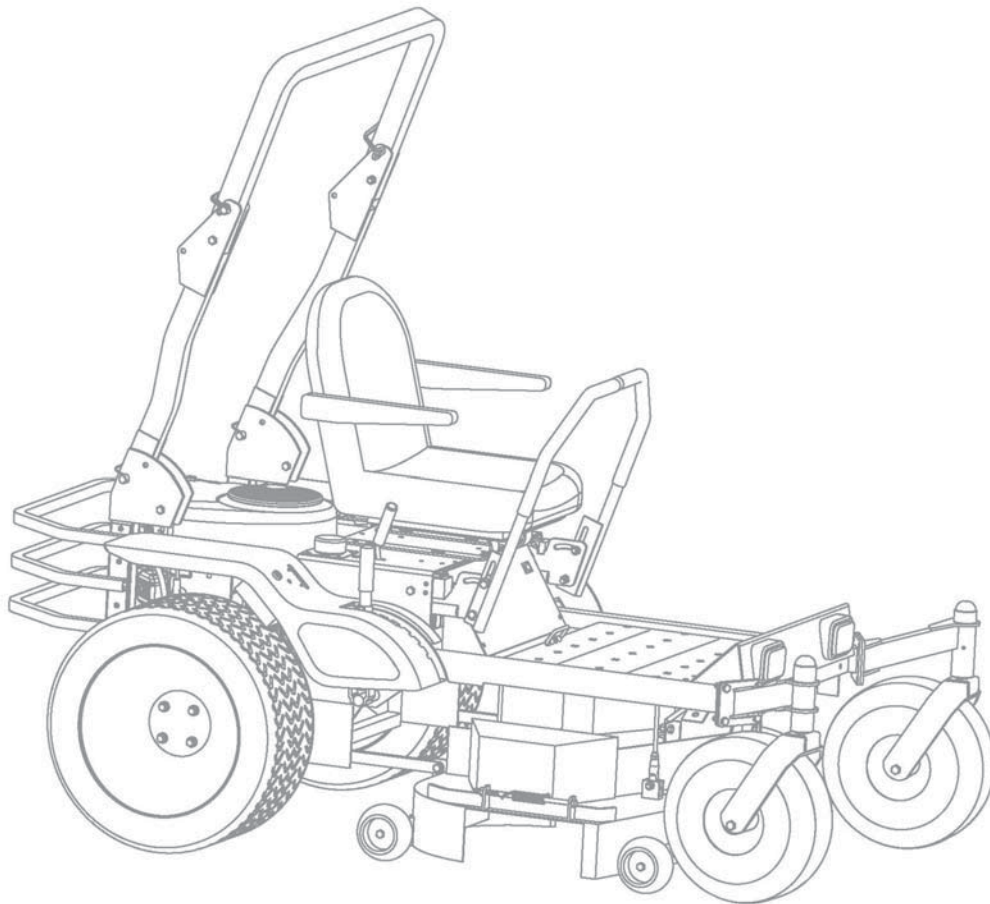


# **62ZB Spare Parts Diagram and Key**

**(with Briggs and Stratton)**

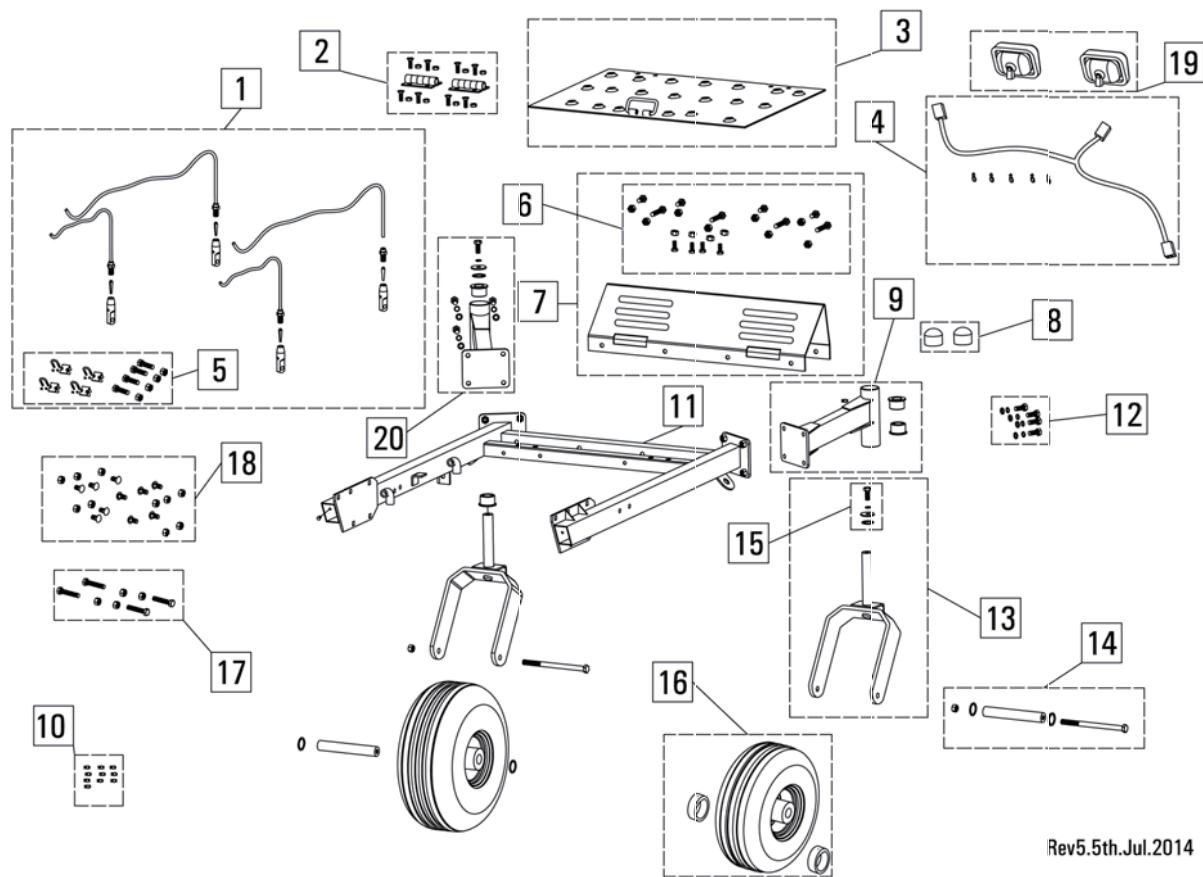


**Versions:**  
**SN Start Point :**  
**Tel:**  
**Web:**

**V0**  
**62ZB180594**  
**1-919-550-3221**  
**[www.beastpowerequipment.com](http://www.beastpowerequipment.com)**

# 62ZB Frame Parts Diagram and Key

## 62ZB" Frame Parts Diagram



Rev5.5th.Jul.2014

### 62ZB" Frame Parts Diagram Key

Item #	Gxi Part Number	Description
1	SP11-000016	Deck cable kit, commercial Z, all 4 subassembled cables, includes cable clamps
2	SP12-000235	Hinge, floorboard, commercial Z, with hardware
3	M10-000867	floorboard, commercial, grey, upgrade..
4	SP12-000208	head light wire harness and wire harness line clips
5	SP12-000236	Hardware kit, commercial Z, deck cable connections, 4 nuts and bolts, and cable clamps
6	SP12-000237	Hardware kit, commercial Z, floorboard mounting hardware
7	SP17-000238	Floorboard, front V, commercial ZB, label ,hardware, grey with grip tape..UPGRADE 2017
8	SP11-000137	Bearing cap set, Z, black plastic, set of 2 front wheel bearing cap..
9	SP14-000239	Front wheel mount, commercial ZB, right, orange, with brass bushings, grease fitting
10	SP12-000189	Grease fittings, set of 10
11	M10-000862	Frame, front, 62ZB, orange
12	SP12-000240	Hardware kit, front wheel mount mounting bolts with washers and lock washers
13	SP12-000241	Front wheel yoke, commercial ZB, orange, with assembly hardware to frame, axle NOT included
14	SP11-000018	Hardware kit, commercial Z, front wheel axle bolt and axle hardware..
15	SP11-000140	Hardware kit, Z, W, retaining hardware for front wheel caster, includes, bolt, fender washer, and lock washer..
16	SP11-000034	Tire assembly, commercial Z, front tire mounted to rim, with bearings pressed into rim hub, ribbed 15" x 6" x 6" tire
17	SP11-000139	Hardware kit, Z, fasten frame to control panel end caps, and attach deck height set bracket to right hand side of frame..
18	SP11-000141	Hardware kit, Z, frame to chassis mounting hardware, contains 10 custom carriage bolts and locking nuts..
19	SP12-000209	Headlight bezel, lense, and bulb assembly, set of 2
20	SP14-000217	Front wheel mount, commercial ZB, left, orange, with brass bushings, grease fittings..

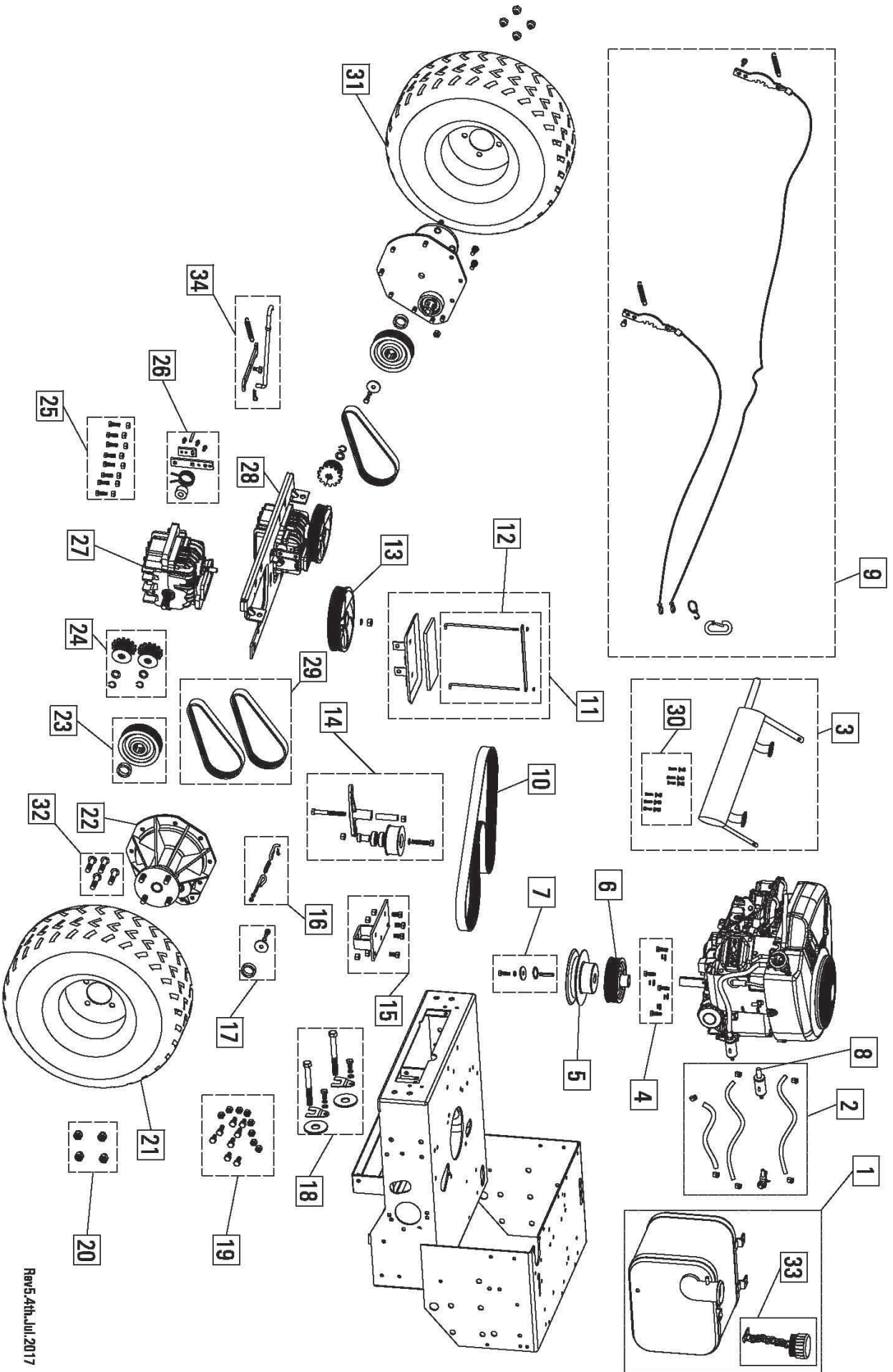


## 62ZB Deck Parts Diagram Key

<b>62ZB" Deck Parts Diagram Key</b>		
<b>Item #</b>	<b>Gxi Part Number</b>	<b>Description</b>
1	SP17-000063	Belt guard, 62ZB, plastic, with screw, 2017
2	SP12-000270	Deck guard assembly, black plastic, small, include hardware, use for commercial mower
3	M12-000465	ZTR62" Engine to blade belt , Carlisle (C-75/200, P-20/40 )
4	SP11-000009	Belt retainer kit, Z, belt retainers and hardware
5	SP12-000230	Stabilizer assembly, front, , black, with hardware..
6	SP11-000087	Hardware kit, scalping wheel, set of 2 bolts, washers, locking nuts, and bushings.....
7	SP12-000231	Hardware kit, double scalping wheel, center set, bolt, washer, locking nut, and bushing
8	SP17-000254	Pulley, 62Z, deck pulley and hardware, 2017
9	SP12-000186	Belt retainer kit, Z, intermediate between engine and deck, 2 belt retainers and hardware
10	M10-000458	Scalping wheel, 5" plastic..
11	SP11-000056	commercial mower discharge chutes with bolt and spring
12	SP12-000255	Blade, set of 3, 62Z
13	SP11-000086	Hardware kit, Z, W, spindle fastening, set of 4 bolts and nyloc nuts
14	SP14-000059	Upgrade Clutch assembly, commercial 62Z, use for new deck, complete clutch mechanism with all hardware and springs
15	SP17-000015	Spindle assembly, aluminum, 62Z, 2017 Update
16	SP11-000085	Idle pulley, 5", includes bolt, locking nut, belt retainer, spacer, and reinforcement washer for necessary applications
17	SP17-000042	Spindle brake kit, 62Z, left and center brakes, springs, cables, hardware....
18	SP11-000088	Hardware kit, 48Z, 62Z, blade attachment, set of 3 blade mounting bolts, washers, and lock washers..
19	M17-000324	62" ZTR Commercial Deck - orange..
20	SP11-000017	Belt retainer, commercial Z, 54F clutch to first spindle
21	SP12-000185	Belt retainer kit, Z, engine pulley, rear retainer, 2 side retainers with hardware



62"ZB Chassis Diagram-Power Train Diagram

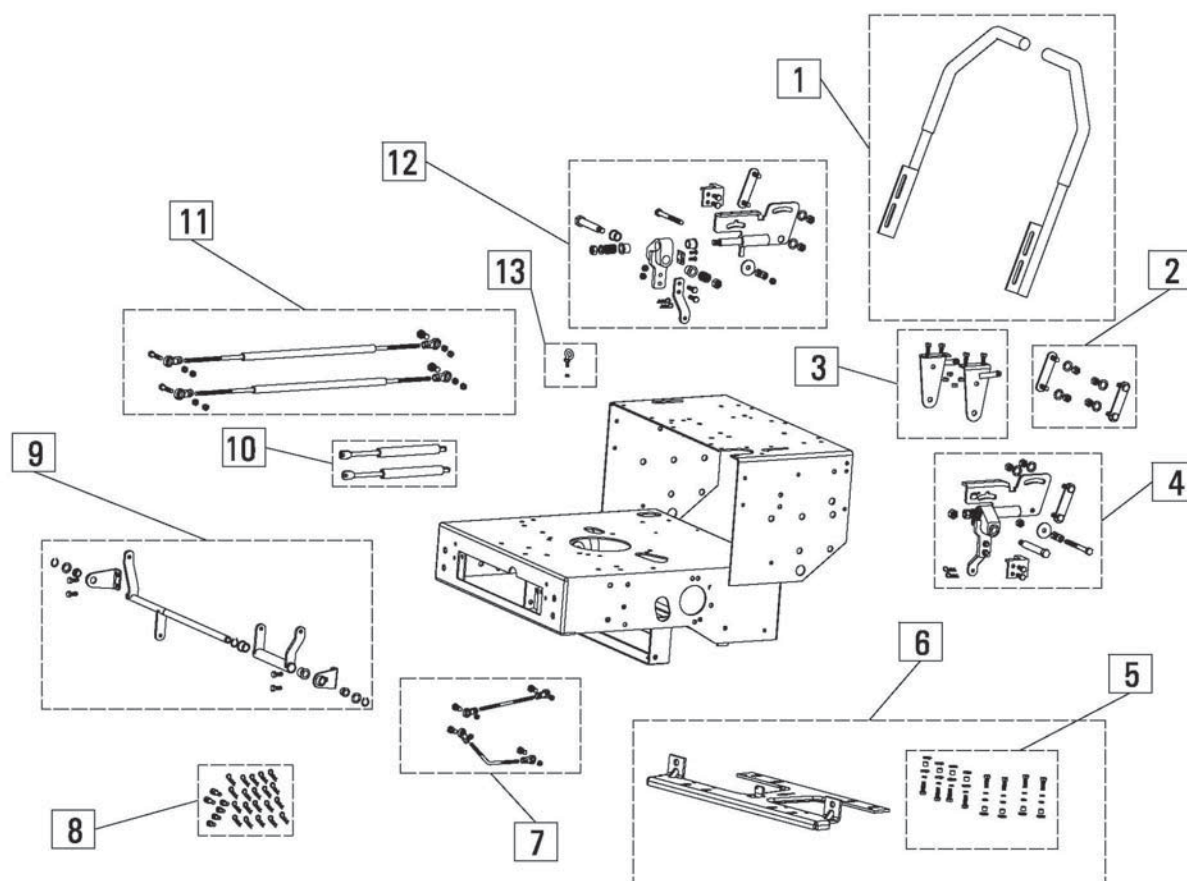


**62ZB" Chassis Diagram -Power Train Diagram Key**

<b>Item #</b>	<b>Gxi Part Number</b>	<b>Description</b>
1	SP12-000210	Fuel tank assembly, 54Z, 62Z, tethered fuel cap, fuel valve
2	SP11-000105	Fuel system kit, Z, fuel supply line, fuel valve, filter, fuel tank breather line, and 6 hose clamps..
3	SP17-000190	Muffler, 62Z, vertical canister, Briggs and Stratton 25hp Professional Series engine with hardware and gaskets
4	SP11-000106	Hardware kit, engine mounting bolts, 48Z, Briggs and Stratton 20hp Professional Series engine
5	M12-001685	Pulley, engine, deck belt,62Z, 1" bore with keyway, black, cast..
6	M16-001215	Pulley, engine, hydro input, 48Z, 54Z, 1" bore with keyway, cast aluminum...
7	SP11-000107	Hardware kit, engine pulley retaining hardware, Z, W, key, washers, lock washer, bolt
8	M10-000535	fuel filter..
9	SP14-000040	Cable kit, park brake, Z, with springs, park pawl,climbing hook , and mounting bolts, for large OD output
10	M16-000469	Belt, hydro input, Z, 8PK-1730
11	SP16-000213	Battery pan kit for 2016 54Z, 62Z mower, includes tie down posts, strap, and hardware..
12	SP13-000109	Battery tie down kit, W, includes tie down posts, strap, and hardware
13	M16-001618	Hydro Input pulley,bigger with Fan-Aluminum for GXi making hydro..
14	SP13-000011	Pulley kit,2013 upgrade, hydro, input idler, Z, includes pulley, upgrade carrier arm, bushing, and hardware.....
15	SP11-000110	Pulley mount kit, hydro, input idler, Z, idle pulley carrier mount and hardware..
16	SP17-000111	Rod kit, hydro input tension, Z, includes threaded rod,spring and cotter pins
17	SP17-000112	Hardware kit, Z, W, final drive input pulley hardware, includes washers, bolt, lockwasher, shims, use Loctite during assembly on bolt threads
18	SP11-000113	Hardware kit, Z, hydro output belt tension hardware, includes M16 bolts, bolt locks, and bolt lock hardware
19	SP11-000114	Hardware kit, Z, W, final drive mounting hardware to chassis..
20	SP12-000214	Hardware kit, 54Z, 62Z, W, lug nuts 1/2" x 20 thread, set of 4
21	SP14-000005	Turf saver tire assembly, 54Z, 62Z, RIGHT side rear tire mounted to rim, turf tread 22" x 10" x 10" tire
22	M17-000929	Commercial Final Drive Assembly 2017 upgrade
23	SP16-000032	Pulley, final drive, Z, splined bore, 10PK, aluminum
24	SP16-000054	Pulley assembly, hydro output, Z, 10PK, contains 2 pulleys, keys, snap rings, washers..
25	SP14-000116	Hardware kit, Z, W, hydro to carrier mounting hardware for GXI hydro
26	SP14-000443	Return to neutral assembly,GXi hydro, Z, includes hardware(not include 48Z)
27	Hydro ZL57A	Left hydro, ZTR, 5-7 configuration
28	Hydro ZR57A	Right hydro, ZTR, 5-7 configuration.
29	SP16-000191	Belt, final drive, Z, 10PK-705, set of 2 ..
30	SP12-000192	Hardware kit, muffler, Z, W, universal
31	SP14-000215	Turf saver tire assembly, 54Z, 62Z, left side rear tire mounted to rim, turf tread 22" x 10" x 10" tire
32	SP12-000216	Hardware kit, lug stud, press fit, commercial Z, W, 1/2" x 20" thread, set of 4
33	M10-001409	Fuel tank cap, for steel tank, plastic, with tether, sealed
34	SP14-000441	Bypass assembly, Z, GXI hydro, include bypass board, spring, bypass rod and hardware

# 62ZB" Chassis Diagram -Hydrostatic Drive Controls Key

## 62"ZB Chassis Diagram-Hydrostatic Drive Controls



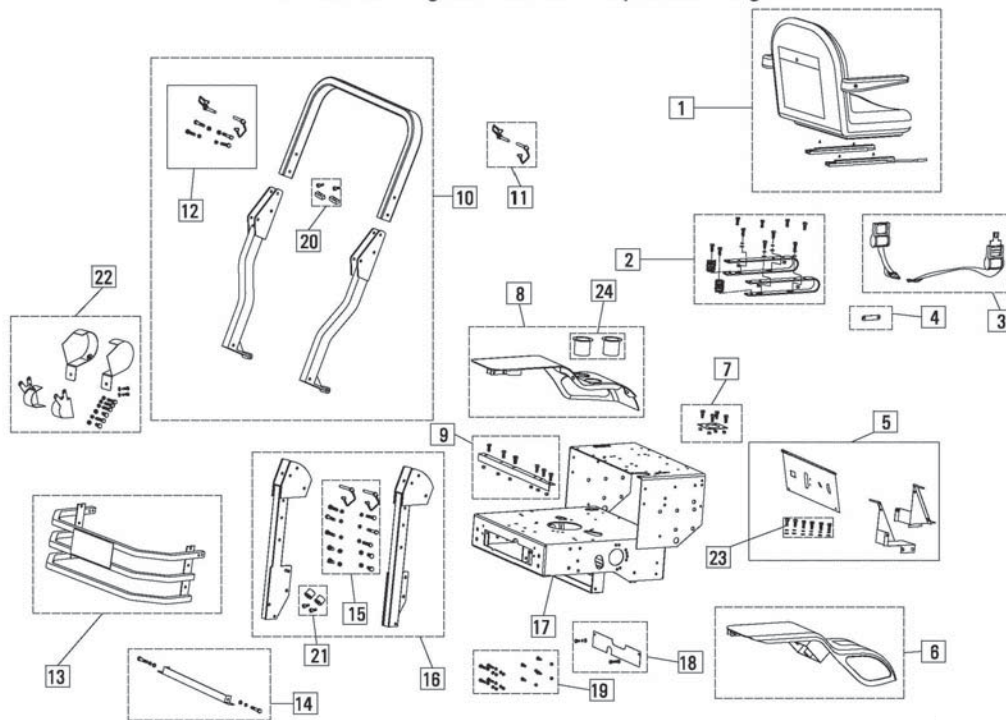
Rev5.4th.Jul.2017

### 62ZB" Chassis Diagram -Hydrostatic Drive Controls Key

Item #	Gxi Part Number	Description
1	SP11-000019	Control handle assembly, Z, right and left control handles, black, textured vinyl coated
2	SP11-000117	Control handle retainer assembly, Z, set of 2 control handle retainers and hardware..
3	SP12-000203	Reinforcement kit, 48ZS, 54Z, 62Z, inner controls hanger set with hardware..
4	SP11-000013	Control pivot assembly, Z, right hand side, includes all hardware, visible return to neutral block, and control handle retainer assembly
5	SP14-000450	Hardware kit, Z, hydro carrier to chassis fastening hardware for new chassis and GXI hydro
6	SP14-000448	Hydro carrier kit, Z, includes bypass bord and hydro carrier to chassis fastening hardware ues for new chassis and GXI hydro
7	SP14-000121	Rod kit, hydro control, Z, left and right rods, hardware and turn buckle end R thread for GXI hydro commercial mower
8	SP11-000122	hardware kit, Z, W, 2 long shaft threaded rod ends, 4 standard threaded rod ends, 20 cotter pins..
9	SP16-000027	Rear control assembly,54/62Z, use for GXI hydro, rear hydro control pivot assembly with mounting hardware..
10	SP16-000123	Damper kit, Z,Big hole, included 2 control system dampers. . .
11	SP14-000124	Rod kit, Z, intermediate control between handle and rear control assembly, includes turn buckle end thread and hardware for GXI hydro commercial mower
12	SP11-000012	Control pivot assembly, Z, left hand side, includes all hardware, visible return to neutral block, and control handle retainer assembly..
13	SP11-000006	Eye Bolt Kit...

# 62ZB" Chassis Diagram -Chassis Components Diagram

## 62"ZB Chassis Diagram-Chassis Components Diagram



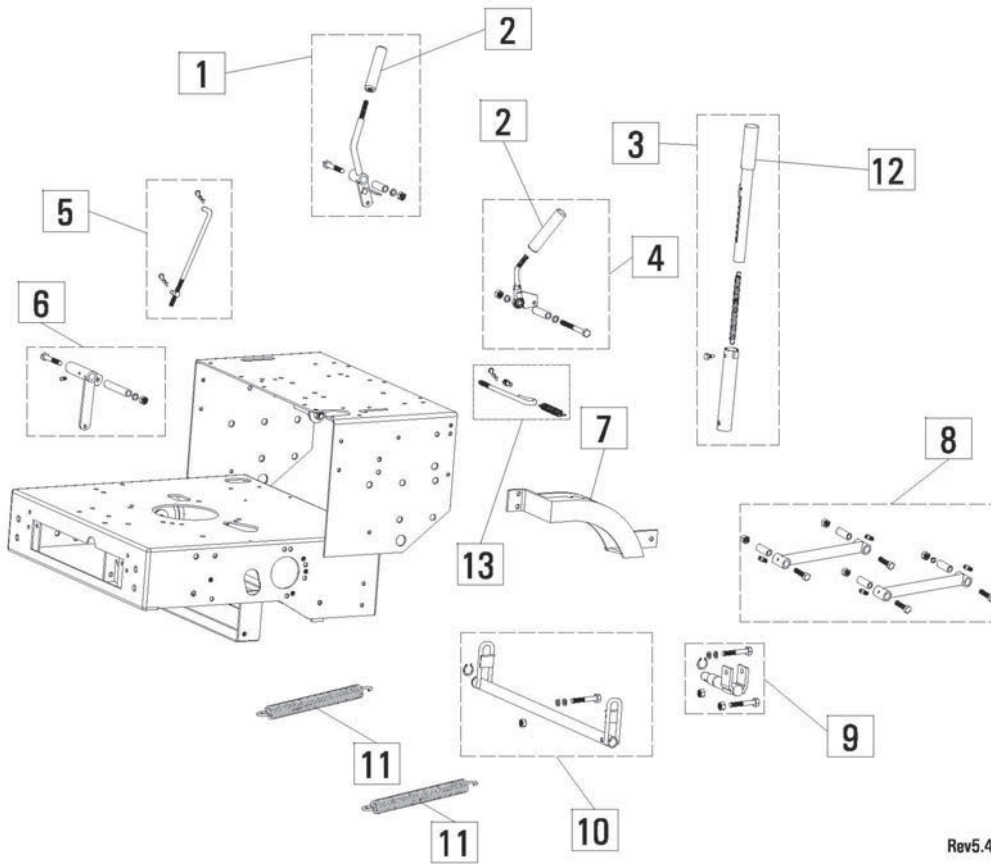
### 62ZB" Chassis Diagram -Chassis Components Diagram Key

Item #	Gxi Part Number	Description
1	M16-000484	Commercial seat - BEAST.. with safety swith assembly. and Wire mower new seat
2	SP11-000090	Seat U mount assembly with suspension springs and hardware
3	M10-000538	Seat belt, Z, retractable
4	M10-000373	Seat belt Strap - Commercial
5	SP12-000253	Control panel assembly, 62ZB, orange and grey, include hardware and label
6	SP17-000219	Fender assembly, 54ZB, 62ZB, gray, right hand side, with label,.2017 update
7	SP11-000095	Panel assembly, fuel tank neck cover, ZB, orange, with hardware
8	SP17-000220	Fender assembly, 54ZB, 62ZB, gray, left hand side, 2 cup holders,2017 update.....
9	SP11-000096	Reinforcement support, seat bracket, Z, black, with hardware
10	SP12-000221	Roll bar assembly, 54Z, 62Z, left and right middle sections, upper section, hardware, pins, and labels....
11	SP11-000028	Roll bar pin kit, Z, contains 2
12	SP12-000222	Hardware kit, roll bar, 54Z, 62Z, hardware for middle and upper section roll bar attachment, includes 2 roll bar pins..
13	SP17-000223	Rear engine guard assembly, 54ZB, 62ZB, 2017 update
14	SP14-000031	Rear Hydro Protector assembly,Gxi Hydro ;with hardware
15	SP12-000224	Hardware kit, roll bar, commercial Z, hardware for lower and middle section roll bar attachment
16	SP12-000225	Roll bar assembly, 54/62Z, left and right lower sections, hardware
17	M16-000923	Commercial ZTR Chassis - Orange..
18	SP11-000101	Rear access cover, chassis, ZB, orange, with hardware and labels..
19	SP11-000102	Hardware kit, fender mounting hardware..
20	SP11-000103	Roll bar silencers, commercial Z, upper, with hardware, use Loctite during assembly (Loctite not included)
21	SP12-000226	Roll bar silencers, commercial Z, lower, with hardware, use Loctite during assembly (Loctite not included)
22	SP16-000159	Hydro Final Drive Pulley Covers For 2016 ZTR54/62
23	SP12-000202	Hardware kit, for panel assembly SP12-000196 and SP12-000218.....
24	SP17-000182	Cup holders, Z, black plastic, contains 2 - glue into fender (glue not included)



# 62ZB" Chassis Diagram -Blade , Deck Lift Handle Systems Key

## 62"ZB Chassis Diagram-Blade,Brake,Deck Lift Handle Systems



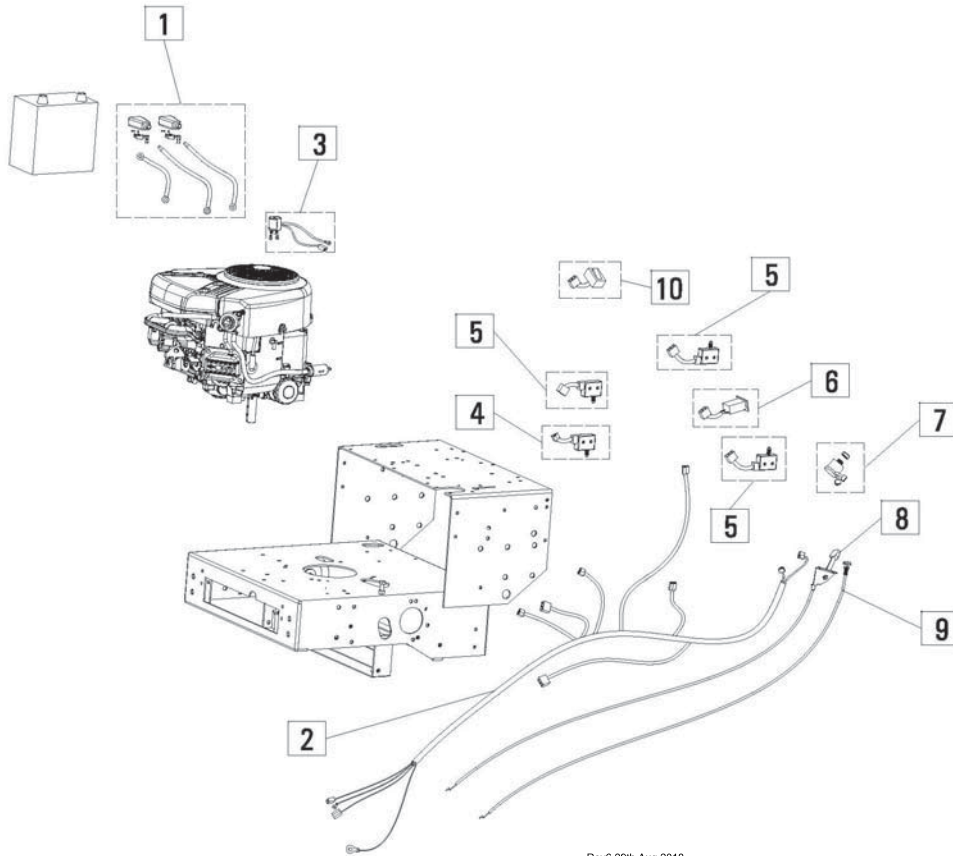
Rev5.4th.Jul.2017

### 62ZB" Chassis Diagram -Blade, Deck Lift Handle Systems Key

Item #	Gxi Part Number	Description
1	SP11-000008	Handle assembly, blade on/off, Z, includes pivot bushing, vinyl handle grip, and
2	M10-000023	Handle grip, vinyl coated, Z, vinyl coated steel, blade and brake handle grip..
3	SP11-000014	Handle assembly, deck lift, Z, includes upper handle, lower handle, return spring,
4	SP11-000010	Handle assembly, park brake, Z, includes pivot bushing, vinyl handle grip, and
5	SP11-000125	Rod kit, intermediate deck engagement, Z, includes threaded rod end and cotter
6	SP11-000007	Pivot kit, blade engagement, Z, pivot assembly between deck handle and deck clutch, includes pivot bushing and hardware..
7	SP11-000126	Deck height set bracket, ZB, orange, with height label..
8	SP12-000227	Stabilizer assembly, rear,54Z/62Z, black, left and right stabilizers,with bushing,
9	SP11-000128	Mount, deck lift handle, Z, with roll pin..
10	SP11-000129	Deck height pivot bar, Z, with roll pin..
11	M10-000356	Spring, Z, deck height lift assist spring
12	M10-000812	ZTR height adjustment Grip
13	SP12-000257	Rod kit, deck engagement, Z, included threaded rod end and cotter pin

# 62ZB" Chassis Diagram -Engine Mechanical/Electrical Controls

## 62"ZB Chassis Diagram-Engine Mechanical/Electrical Controls



Rev6 29th Aug,2018

### 62ZB" Chassis Diagram -Engine Mechanical/Electrical Controls Key

Item #	Gxi Part Number	Description
1	SP12-000228	Battery cable set, 54ZB/62Z, includes terminals, terminal covers, positive and ground battery cables
2	M17-000920	Commercial mower wiring harness, Briggs 25HP..
3	M13-000539	Waterproof switch, 3 position, Z, W, with keys, 3 pin and 2 pin female plastic plug
4	M10-000543	Switch, blade drive interlock, Z, W, NC, with pigtail and male plastic plug
5	M10-000544	Switch, blade drive interlock, Z, W, NO, with pigtail and female plastic plug
6	M10-000541	Hour meter, Z, W, with soldered pigtails and female plastic plug
7	M13-000539	3 Position Switch, Z, W, with keys, 3 pin and 2 pin female plastic plug, waterproof, replacement for all year models, all mowers
8	M10-000876	throttle cable 1270mm..
9	M10-000877	choke cable 1295.4mm..