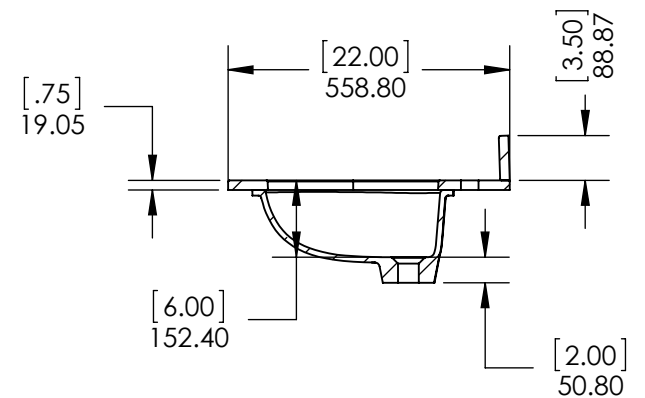
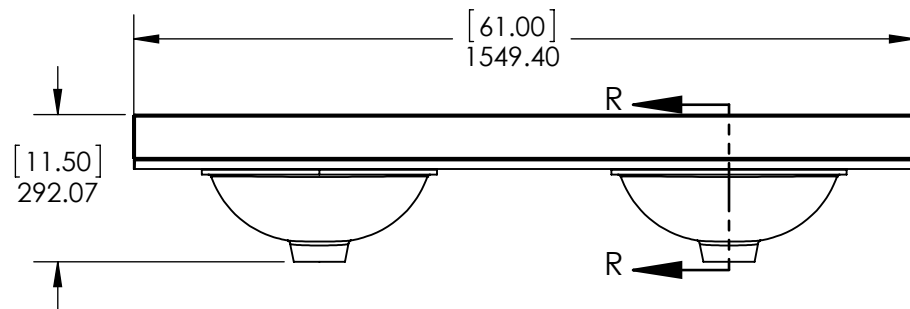
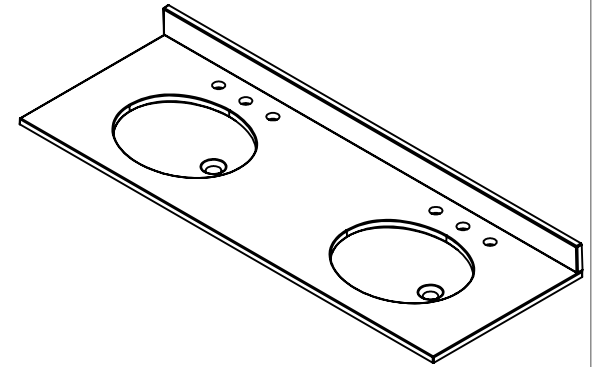
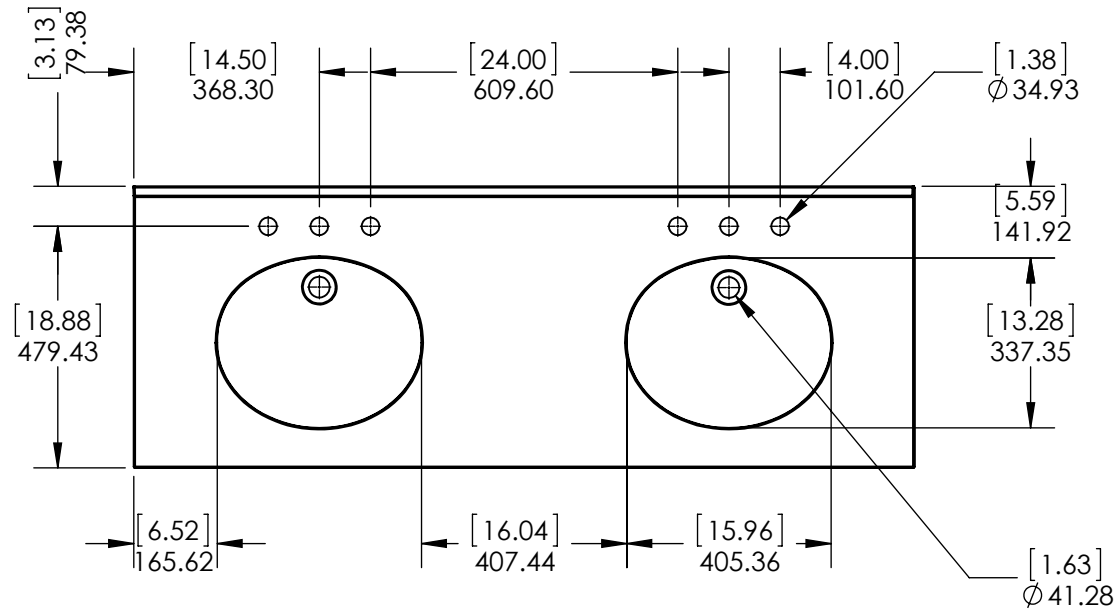


Rev #	Approved by	Change
0	R. Rubio	Released
1	O. Razo	New color and profile



PROPRIETARY AND CONFIDENTIAL
 THE INFORMATION CONTAINED IN THIS DRAWING IS THE SOLE PROPERTY OF WOODCRAFTERS. ANY REPRODUCTION IN PART OR AS A WHOLE WITHOUT THE WRITTEN PERMISSION OF WOODCRAFTERS IS PROHIBITED.

UNLESS OTHERWISE SPECIFIED
 DIMENSIONS ARE IN INCHES AND [MM]
 TOLERANCES ARE
 + 0.125 [3.175] - 0.125 [-3.175]
 SCALE:1:10

	NAME	DATE
DRAWN	R. Rubio	08/22/16
CHECKED	R. Rubio	08/22/16
ENG APPR.	R. Rubio	08/22/16
MFG APPR.	C. Leal	08/22/16

Wood Crafters
 Vtop Stone Effect, Oval 61x22

SIZE DWG. NO. A
 SHEET 1 OF 2
 REV. 1

ID	Description	Technology	Status
SE61O-PR	Vtop Oval 61x22 SE Pulsar 8in	Stone Effect	Approved for production
SE61O-MG	Vtop Oval 61x22 SE Mineral Gray 8in	Stone Effect	Approved for production
SE61O-WM	Vtop Oval 61x22 SE Winter Mist 8in	Stone Effect	Approved for production
SE61O-CO	Vtop Oval 61x22 SE Cold Fusion 8in	Stone Effect	Approved for production
SE61O-DN	Vtop Oval 61x22 SE Dune 8in	Stone Effect	Approved for production
SE61O-RU	Vtop Oval 61x22 SE Rustic Gold 8in	Stone Effect	Approved for production

Rev #	Approved by	Change
0	R. Rubio	Released
1	O. Razo	New color and profile

PROPRIETARY AND CONFIDENTIAL
 THE INFORMATION CONTAINED IN THIS DRAWING IS THE SOLE PROPERTY OF WOODCRAFTERS. ANY REPRODUCTION IN PART OR AS A WHOLE WITHOUT THE WRITTEN PERMISSION OF WOODCRAFTERS IS PROHIBITED.

UNLESS OTHERWISE SPECIFIED
 DIMENSIONS ARE IN INCHES AND [MM]
 TOLERANCES ARE
 + 0.125 [3.175] - 0.125 [-3.175]
 SCALE:1:10

	NAME	DATE
DRAWN	R. Rubio	08/22/16
CHECKED	R. Rubio	08/22/16
ENG APPR.	R. Rubio	08/22/16
MFG APPR.	C. Leal	08/22/16



SIZE DWG. NO. SHEET 2 OF 2
A Vtop Stone Effect, Oval 61x22 REV: **1**