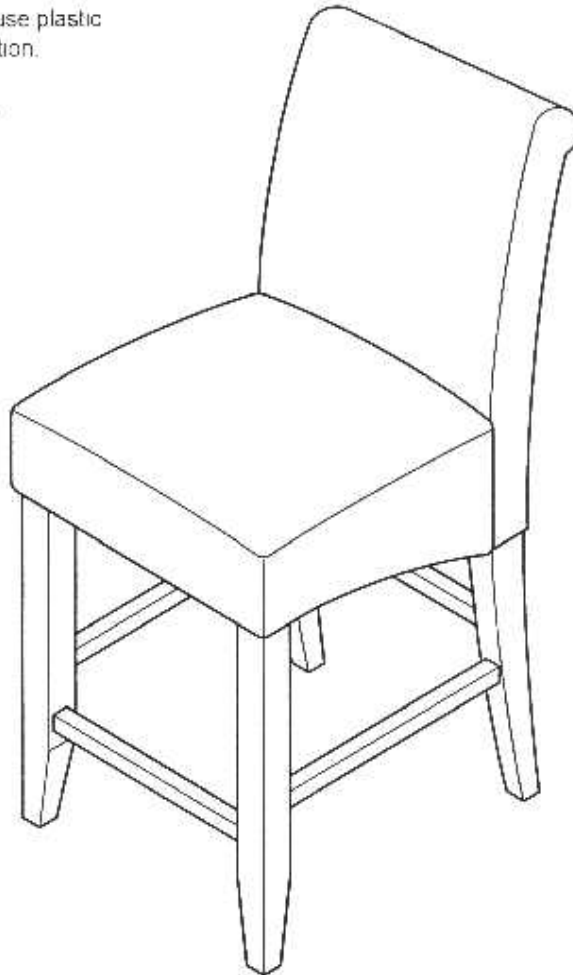




MET8624ES/ RD/ CF & MET8630ES/ RD/ CF  
24" & 30" LEATHER PARSONS STOOL  
OPERATING INSTRUCTIONS

**WARNING**

1. Do not use this product unless all screws and bolts are securely tightened.
2. Check that all screws and bolts are tight every three months or as needed.
3. Dispose of packing material properly. Do not use plastic cover as head covering. It may cause suffocation.
4. Do not use this product as a stepladder.
5. Use this product for its intended purpose only.



**LIMITED WARRANTY**

OSP Designs Warrants, to the original purchaser its products to be free from defects in material and workmanship for a period of 90 days. Defects and damage from misuse, abuse, negligence, alteration, accident, vandalism, rusting, acts of nature or any other event beyond the control of Home Star Products is not covered. The warranty does not cover cosmetic damage that may result from normal use. Liability for incidental or consequential damages is excluded. The user assumes all risk of injury resulting from use of this product. This warranty gives you specific legal rights and you may also have other rights which vary from state to state.

To make a warranty claim, contact Customer Service, provide model number, sales receipt and description of the problem. It is the customer's responsibility to prepay freight on any components returned to the factory. Home Star Products will pay return freight on components covered under terms of warranty.

Our quality standards are among the highest in the industry. Sometimes, no matter how hard we try, there are times when hardware is missing. Our Parts Department will do everything possible to promptly remedy the problem. Contact us via email [parts@officestar.net](mailto:parts@officestar.net), by Fax 1-909-930-5629, or toll free parts number 1-800-950-7262, Monday through Friday 8:00 a.m. - 5:00 p.m. Pacific Time. Home Star Products P.O. Box 3520 Ontario, California 91761 USA



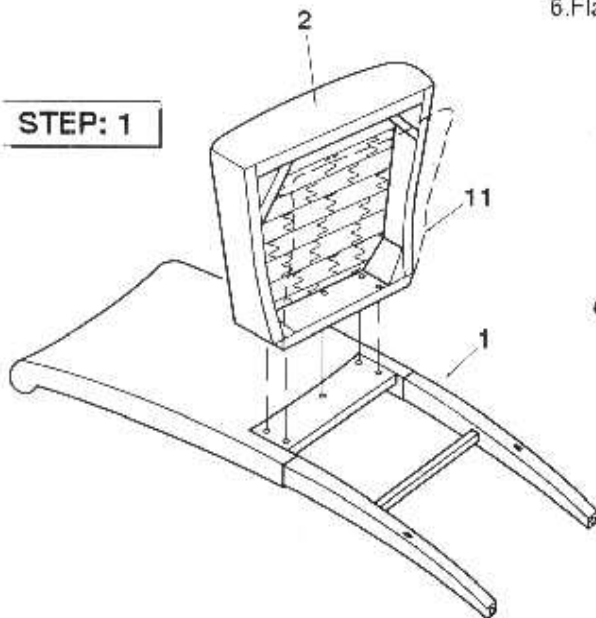


MET8624ES/ RD/ CF & MET8630ES/ RD/ CF  
24" & 30" LEATHER PARSONS STOOL  
ASSEMBLY INSTRUCTIONS

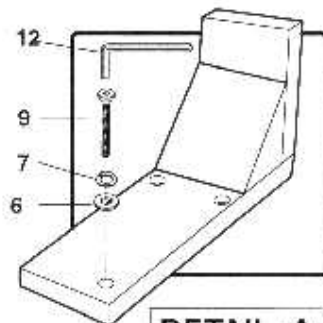
**Important Note :**

1. Use hand tools only for assembly as power tools may cause damage.
2. Carefully remove any staples used for packaging.
3. Phillips Head Screwdriver also needed for assembly (not provided).

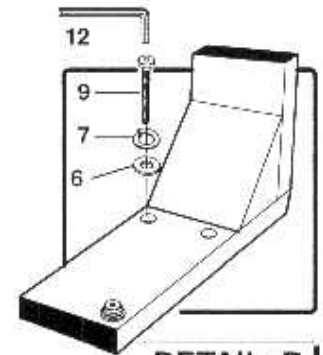
Part	Qty	Part	Qty
1.Chair Back.....	1	7.Lock Washer.....	9
2.Seat frame.....	1	8.Wood Screw.....	4
3.Front Leg Assembly.....	1	9.Short K.D. Screw.....	5
4.Right Side Stretcher.....	1	10.Long K.D. Screw.....	4
5.Left Side Stretcher.....	1	11.Dust Barrier.....	1
6.Flat Washer.....	9	12.Allen Wrench.....	1



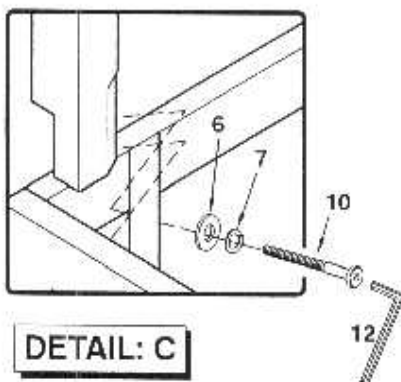
**STEP: 1**



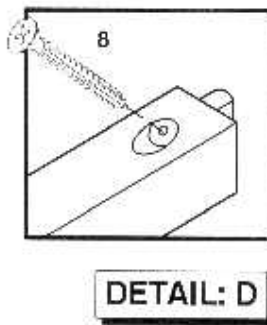
**DETAIL: A**



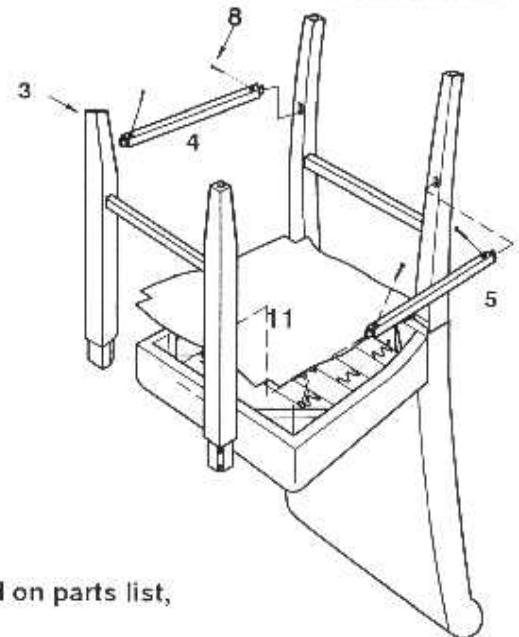
**DETAIL: B**



**DETAIL: C**



**DETAIL: D**



Remove all parts from carton, separate by part numbers indicated on parts list, and verify part quantities.

**STEP: 1**

- Carefully lay Chair Back (1) flat on a smooth flat surface to prevent scratches. Affix Seat frame (2) to Chair Back (1) by inserting a Flat Washer (6), Lock Washer (7) and Short K.D. Screw (9) into hole in the back frame of Seat frame (2). (See Detail A)
- Inserting a Flat Washer (6), Lock Washer (7) and Short K.D. Screw (9) into each of 2 holes in the Seat frame corners. Fully tightening all screws with provided Allen Wrench (12). (See Detail B)

**STEP: 2**

- Carefully turn chair upside down and affix Front Leg Assembly to the front corners of the Seat frame (2).
- Place Flat Washer (6), Lock Washer (7) and Long K.D. Screw (10) to each hole of Leg, using provided Allen Wrench (12). **Do not fully tighten the screw at this stage.** (See Detail C)
- Insert 2 Side Stretchers (4, 5) into the holes between front and back Legs, fasten with Wood Screw (8) using Phillipshead screwdriver (not provided). (See Detail D)
- Be sure to tighten all screws prior to using stool.