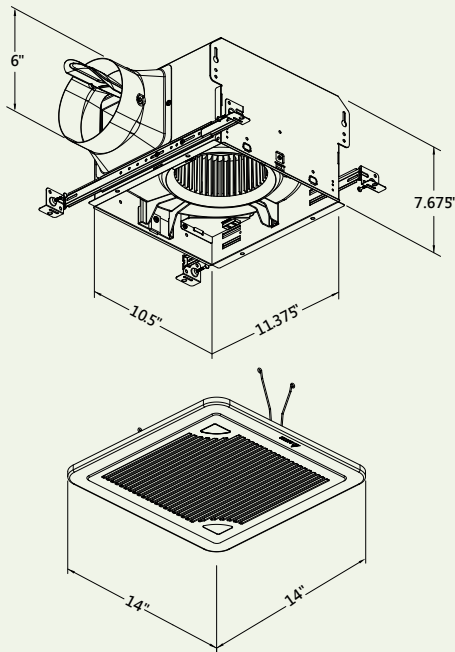




Delta BreezSmart Ventilation Adjustable Dual Speed Fan Specifications

SMT150D
(150 CFM)

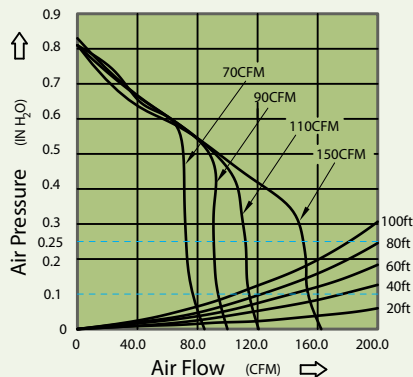
Dimensions



Built-in Controls



Fan Curve



Description

Low noise ceiling mount ventilating fan rated for continuous running. Fan has been awarded ENERGY STAR® Most Efficient in 2013, certified by the Home Ventilating Institute (HVI), ASHRAE 62.2 (continuous and intermittent operation) and CA Title 24 compliant. It is also evaluated by Underwriter Laboratories, and conforms to both UL and cUL safety standards.

Motor/Blower

- Power rating of 120volts/60Hz
- DC brushless motor engineered to run continuously
- Motor equipped with thermal cutoff fuse
- Removable with permanently lubricated plug-in motor

Housing

- Galvanized steel body
- Detachable 6" diameter metal duct adapter
- Built-in backdraft damper
- Easy installation with expandable extension bracket

Grille

- Attractive design using ABS material
- Attaches directly to housing with torsion springs

Warranty

- 3-year limited warranty

Features

- Green and amber LED indicator lights to show continuous low speed and full speed modes
- Adjustable low speed airflow and delay time
- For ceiling mount only, airflow of 150 CFM ($\pm 10\%$) and < 0.3 sones at 0.1 static pressure
- Power consumption approximately 16.9 Watts with an efficiency rating approximately 8.8 CFM/Watt at 0.1" static pressure
- UL and cUL listed for tub/shower enclosure when used with GFCI-protected branch circuit wiring

DC Motor Technology

- Allows fan to operate in full speed mode or continuous low speed mode by manual switch
- For continuous low speed mode, the fan runs continuously at a user-preset lower level (0, 70, 90, 110 CFM)
- Delay time preset positions (0.5, 5, 15, 30, 45, 60)
- Built-in soft start function to increase bearings' life
- Automatically powers off when the impeller is locked abnormally

Specifications

SMT150D	6" Duct (Standard)							
	Continuous Low Speed						Full Speed	
Fan Speed								
Static Pressure (Inches w.g.)	0.1	0.25	0.1	0.25	0.1	0.25	0.1	0.25
Air Flow (CFM)	70	68	90	88	110	110	150	149
Sones	< 0.3	0.7	< 0.3	0.7	< 0.3	0.7	< 0.3	1.0
Power Consumption (Watts)	6.9	12.0	8.0	14.0	9.8	16.9	16.9	23.7
Energy Efficiency (CFM/Watt)	10.1	5.6	11.2	6.2	11.2	6.5	8.8	6.2
Current (Amps)	0.47 Max							
Power Rating (V/Hz)	120/60							