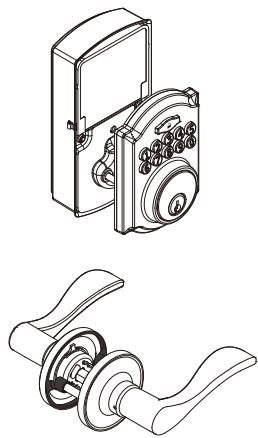


DEFIANT®

FOR



Questions, problems, missing parts? Before returning to the store, call Defiant Customer Service
TOLL FREE HELP LINE 1-877-ONE-LOCK
HOMEDEPOT.COM
 08:30 a.m.-05:30 p.m., EST, Monday - Friday



SCAN FOR INSTALLATION
<https://goo.gl/mcceCM>

WARRANTY

LIMITED LIFETIME MECHANICAL AND 1 YEAR ELECTRONIC WARRANTY

The retailer of this product, hereby warrants, subject to the conditions set forth below, that it will either repair or replace, at its option, this product if it proves to be defective by reason of improper workmanship or materials within the original purchaser's limited time. In order to obtain repairs or replacement under this limited warranty you must bring this product to the retailer's store in which you bought it. Original purchaser: This limited warranty is limited to the original purchaser at retail of this product from retailer. Except to the extent prohibited by applicable law, no other warranties, whether express or implied, including the warranties of merchantability and fitness for a particular purpose, shall apply to this product. Under no circumstances shall retailer be liable for consequential or incidental damages in connection with this product. To the extent retailer is prohibited by applicable law from excluding implied warranties, the duration of such implied warranties which are not excludable shall be the original purchaser's lifetime. Some states do not allow the limitation on how long an implied warranty lasts, so the above limitation on the duration of implied warranties which are not excludable, if any, may not apply to you. Some states do not allow the exclusion or limitation of incidental or consequential damages, so the above limitation or exclusion of incidental or consequential damages may not apply to you. Retailer neither assumes nor authorizes any representative or other person to assume for it any obligation or liability other than such as is expressly set forth herein. This limited warranty gives you specific legal rights, and you may also have other rights which vary from state to state.

1 Safety Information

Read the precautions and instructions in this manual before installing and using this lock. Save this manual for future reference.

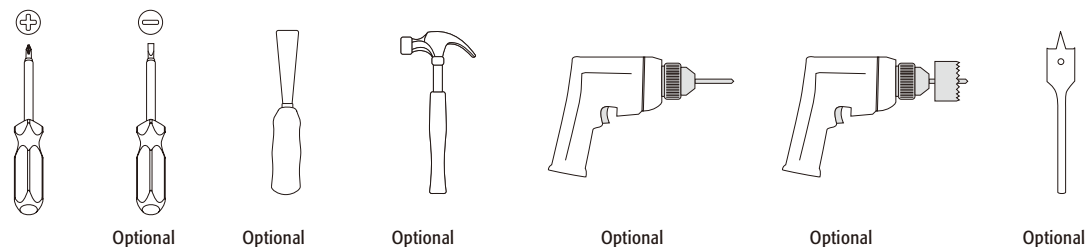
CAUTION:
 Please use four alkaline batteries for the best performance.

- A. Do not attempt to disassemble any internal components of the lockset. Doing so will void the limited warranty.
- B. Do not drop or hit the lockset. Too much shock may result in permanent damage.
- C. Do not use pins or sharp objects to press the keypad.
- D. Always create a backup of information you wish to keep (Master Code, User Codes, etc.) Please use the last page of this booklet as a reference.
- E. Promptly change the Master Code before operating this lockset

CARE and MAINTENANCE:
 The following instructions should be followed to properly protect and maintain your lockset:

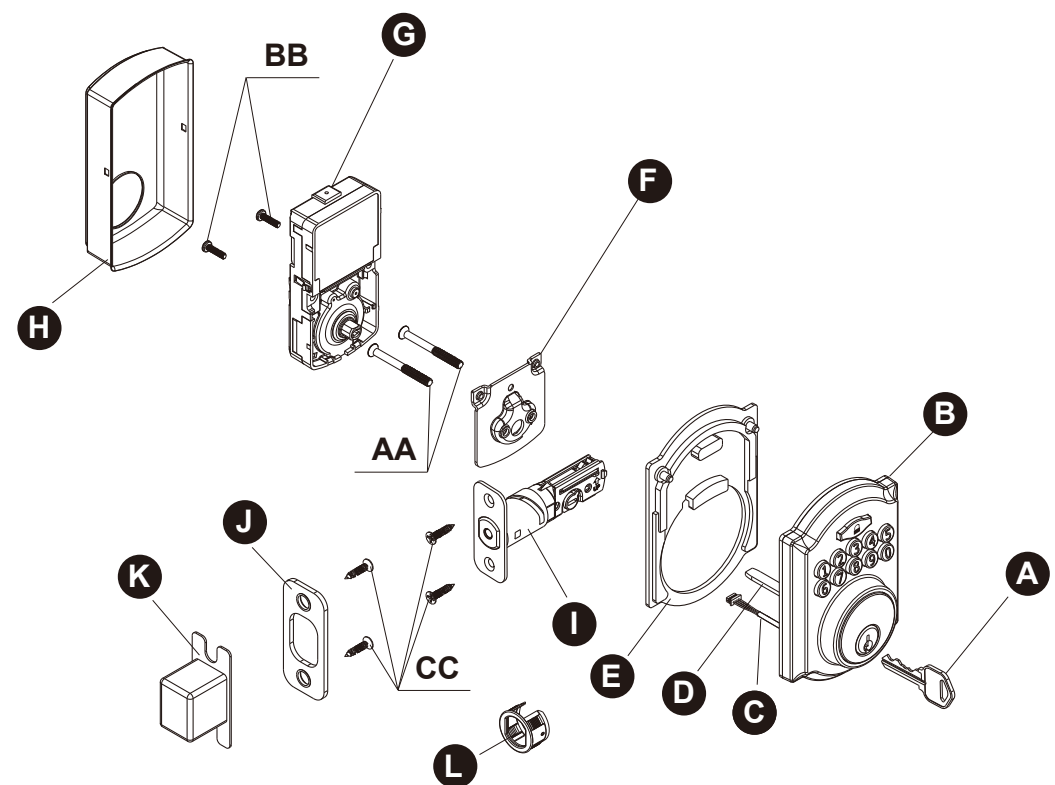
- A. Remove locks, or do not install locks, prior to painting your door.
- B. Periodically clean with mild soap and a soft cloth only.
- C. Do not use any abrasives or chemical products containing alcohol, benzene, acids, and avoid using sharp or abrasive objects to clean this lockset.
- D. Do not allow any water or liquids into the lockset during installation.

2 Pre-installation – Tools Required / Hardware Included

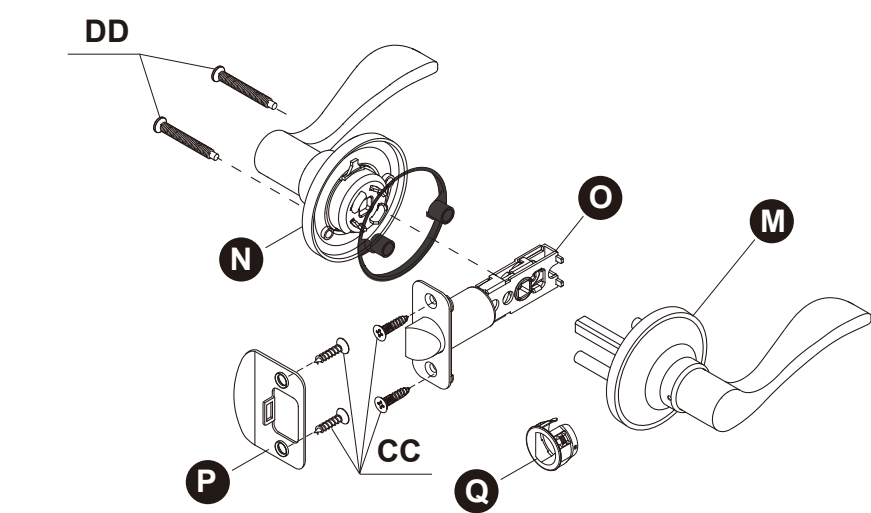


WARNING:
 If the door needs to be drilled, please be familiar with how to use a drill safely and understand all of the door preparation steps before proceeding.

PACKAGE CONTENTS LIST



Part	Description
A	Key
B	Exterior Assembly
C	Power Cable
D	Torque blade
E	Exterior Gasket
F	Mounting Plate
G	Interior Assembly
H	Battery Cover
I	Deadbolt Latch
J	Deadbolt Strike
K	Dust Box
L	Drive-in Collar (Optional)



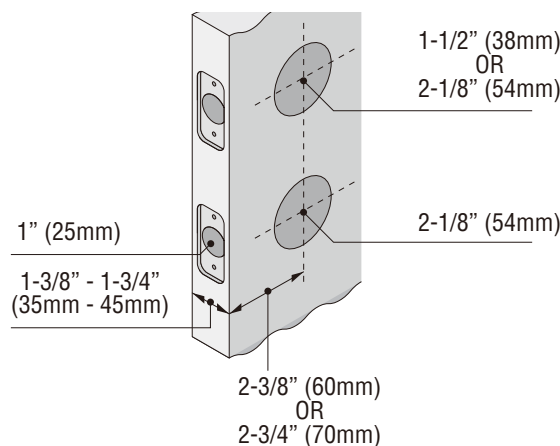
Part	Description
M	Outside Lever Assembly
N	Inside Lever Assembly
O	Latch
P	Latch Strike
Q	Drive-in Collar (Optional)

HARDWARE CONTENTS (Actual Size)

- AA** 1-13/16" (46 mm) Mounting Bolt Qty. 2
- BB** 3/4" (19 mm) Screw Qty. 2
- CC** 3/4" (19 mm) Wood screws Qty. 8
- DD** 1-23/64" (34mm) mounting screws Qty. 2

BEFORE PROCEEDING

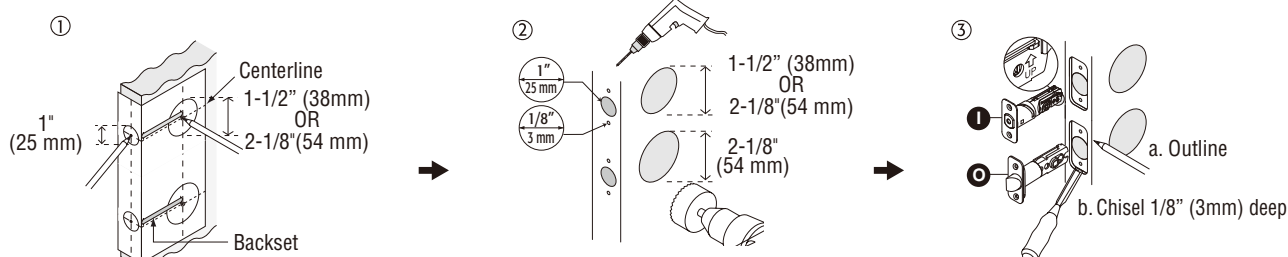
Check Dimensions



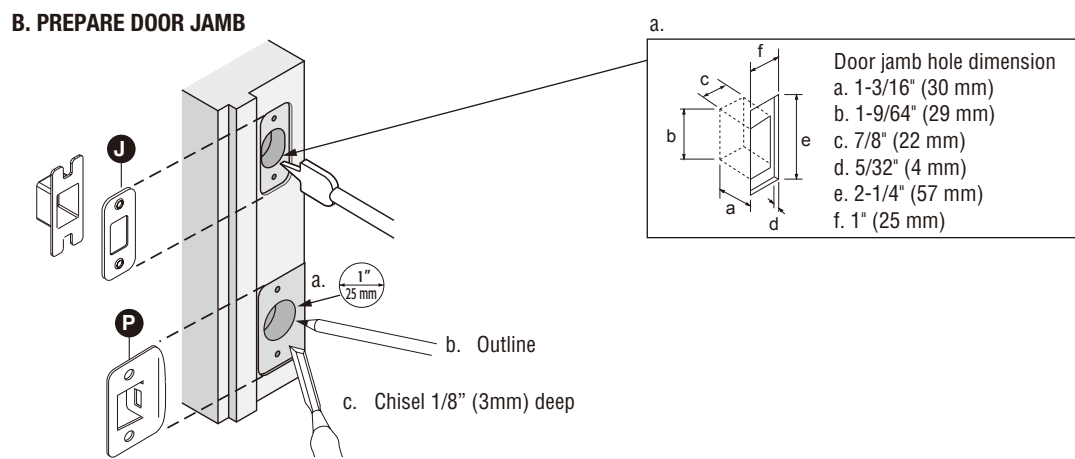
3 DOOR DRILLING FOR NEW INSTALLATION

NOTE: If your door already has holes, skip to step 4

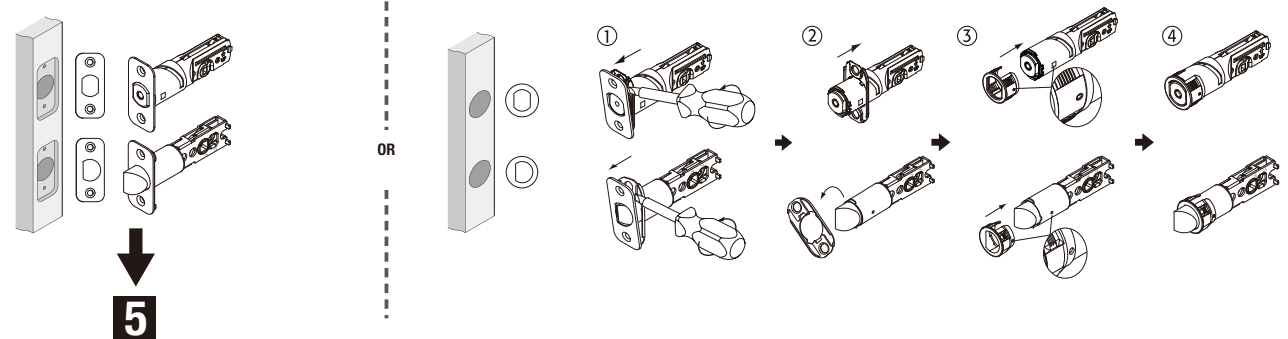
A. Using the template, mark the door and drill the holes, and chisel out a mortise.



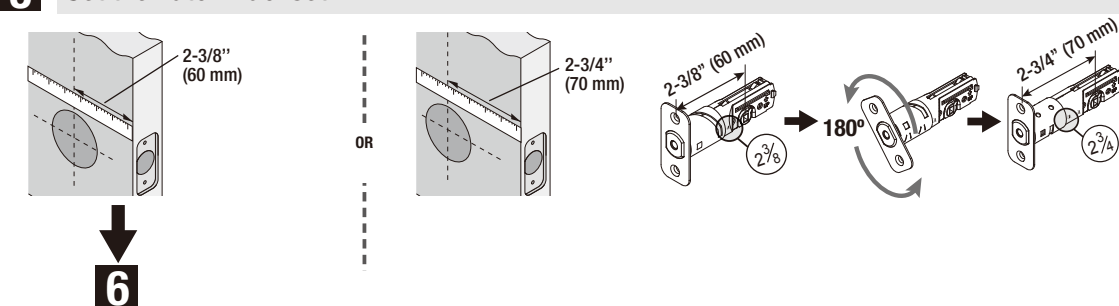
B. PREPARE DOOR JAMB



4 Choose Faceplate

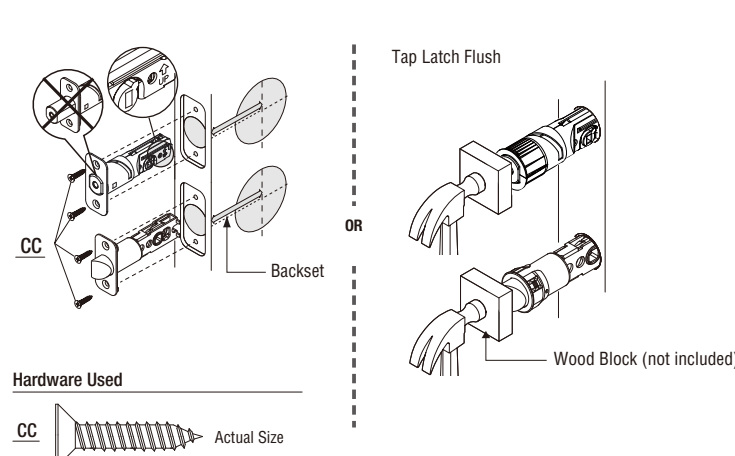


5 Set the Latch Backset

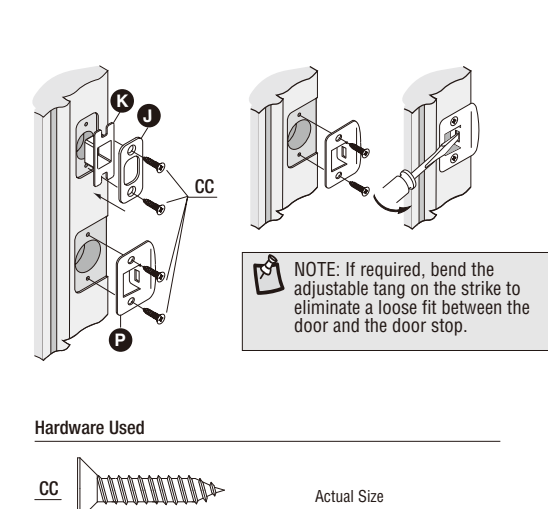


6 Installation

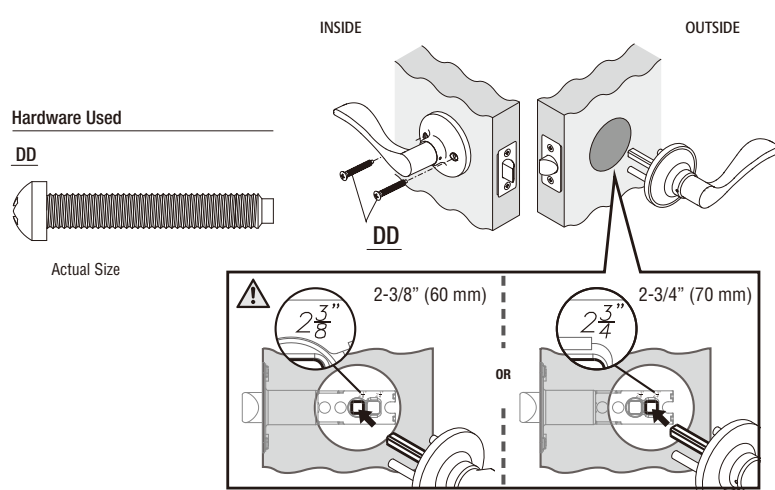
A. INSTALL LATCH



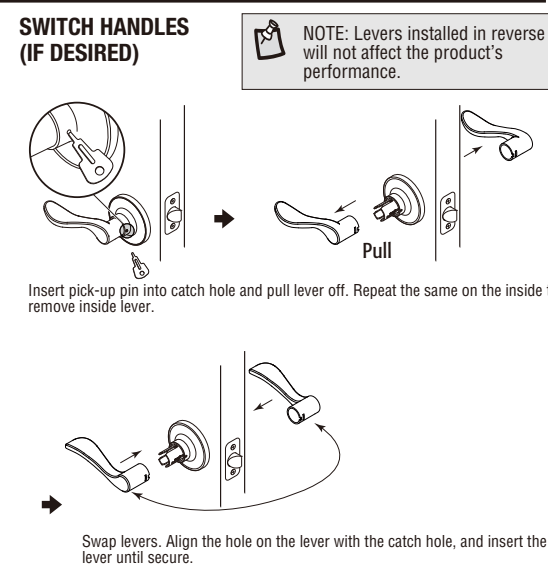
B. INSTALL STRIKE PLATE IN DOOR JAMB



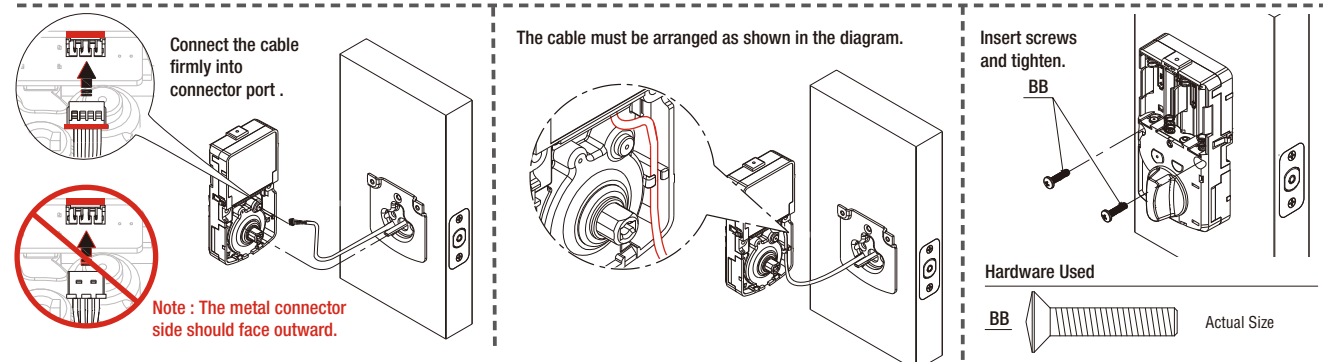
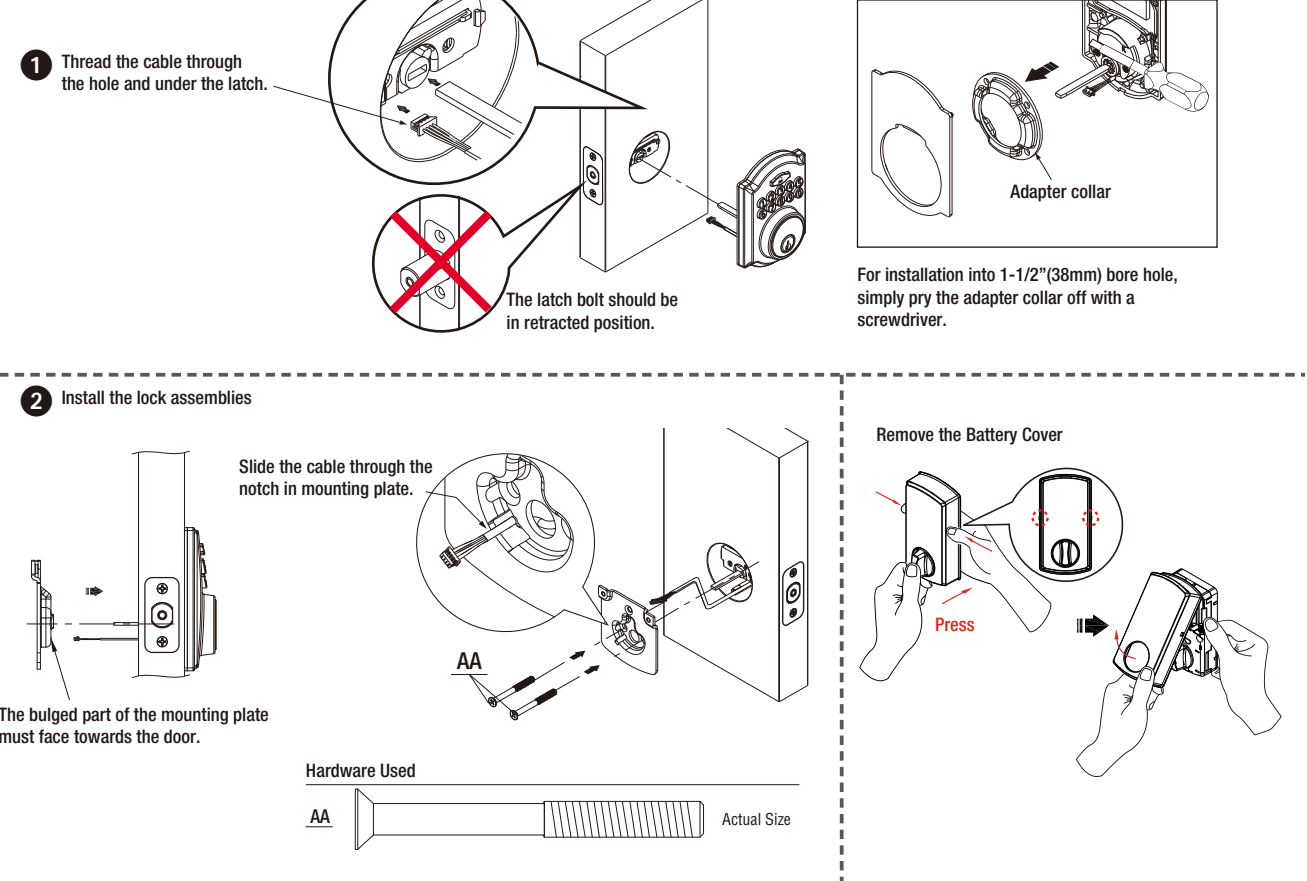
C. INSTALL LEVER



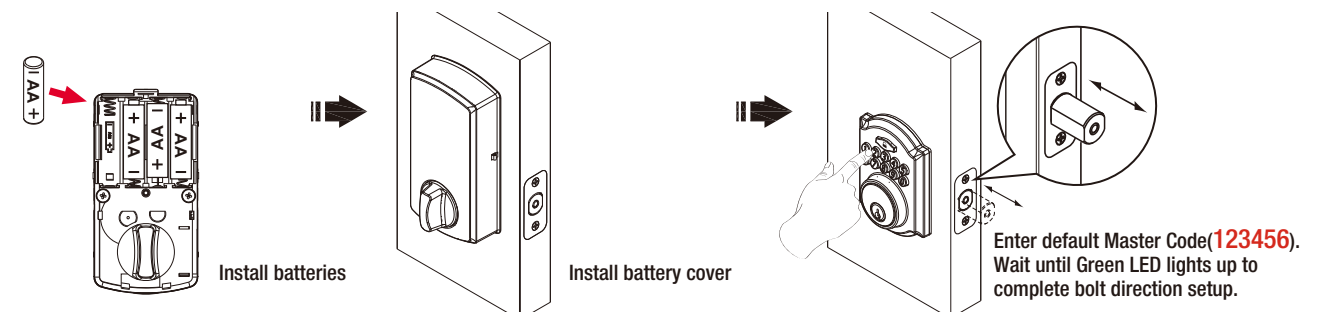
SWITCH HANDLES (IF DESIRED)




D. INSTALL ELECTRONIC DEADBOLT



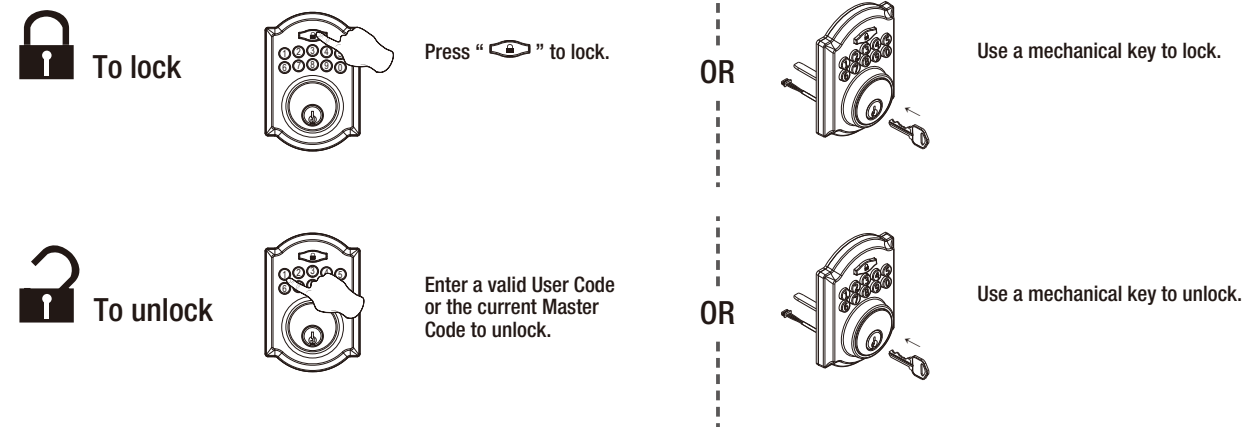
CAUTION:
 1. Please use four alkaline batteries for better performance. Be sure to insert them correctly by matching the + and - polarity markings. Do not mix old batteries and new batteries or standard (carbon-zinc) with alkaline batteries.
 2. Install and test lock with door OPENED to avoid being locked out.



1 OVERVIEW OF FUNCTIONS

- 1 LOCK BUTTON**
 1. Red light: Represents an incorrect entry or the unit is in programming mode.
 2. Yellow light: Flashes when the batteries are low in power.
 3. Green light: Represents a correct entry.
 4. Press  to lock the lockset.
- 2 KEYPAD**
 1. Unlock the lockset by entering a valid user code or Master code.
- 3 MECHANICAL KEYWAY OVERRIDE**
 1. Lock or unlock the lockset by a valid key.
- 4 BATTERY COVER**
 1. Protect the batteries from unexpected damage.
- 5 [SET] BUTTON**
 1. Press set button until the unit beeps to enter programming mode
 2. Please refer to [2] - 1 for more information about programming mode.
 3. Please refer to [2] - 2 for steps to restore to factory settings.
- 6 INTERIOR THUMBTURN**
 1. Lock or unlock the lockset manually.

HOW TO LOCK / UNLOCK THE LOCKSET



⚠ Keypad is temporarily disabled for 1 minute after 4 consecutive incorrect entries.

2 PROGRAMMING

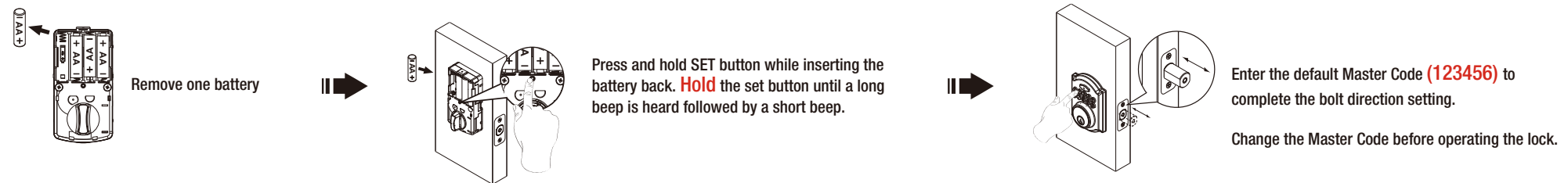
1 HOW TO PROGRAM THE LOCKSET BY FUNCTION CODES (Programming Mode)

⚠ Programming Mode will automatically time out after 10 seconds of inactivity.
 ⚠ If you make a mistake during programming, press the interior SET BUTTON (as shown in above diagram) to leave Programming Mode and start over.

Function	Notes	Steps	Sequence
BASIC SETTINGS	Change the existing Master Code	• A Master Code can be used to program or unlock the lock. • The preset Master Code is 123456. • Please change the Default Master code before operating the lock.	Press and hold the [SET] button until the unit beeps, then release the [SET] button → Enter current Master Code (6 digits) then press  → Press 1 0  → Enter New Master Code (6 digits) → 
	Add user code(s)	• Add one or more user codes at one time • The unit can store up to 10 customized User Codes (4-6 digits long).	Press and hold the [SET] button until the unit beeps, then release the [SET] button → Enter current Master Code (6 digits) then press  → Press 2 0  → Enter New User Code (4-6 digits) →  → Add another code
	Delete individual user or single-entry code(s)	• Delete one or more codes at a time, including User Codes or Single-entry Codes. • Users/Single-entry codes cannot be retrieved after they are deleted.	Press and hold the [SET] button until the unit beeps, then release the [SET] button → Enter current Master Code (6 digits) then press  → Press 3 0  → Enter unwanted User Code (4-6 digits) →  → Delete another code
	Delete all user / single-entry codes	• Delete ALL User Codes at once. • Use the existing Master Code (6 digits) to unlock the unit after the deletion of User/Single-entry Codes.	Press and hold the [SET] button until the unit beeps, then release the [SET] button → Enter current Master Code (6 digits) then press  → Press 4 0  → 
ADVANCED SETTINGS	Add single-entry code(s)	• The single-entry user code can be used for only one successful entry and will be invalid when the lockset is locked again. • The unit can store up to 5 single-entry user codes (4 digits long).	Press and hold the [SET] button until the unit beeps, then release the [SET] button → Enter current Master Code (6 digits) then press  → Press 2 1  → Enter New Single-entry Code (4 digits) →  → Add another code
	Vacation mode	• Disabled by default. • When Vacation Mode is enabled, only the current Master Code (6 digits) can unlock the lock. • The stored User / Single-entry Codes will be re-activated once the Vacation Mode is disabled.	Press and hold the [SET] button until the unit beeps, then release the [SET] button → Enter current Master Code (6 digits) then press  → Press 5 0  → 1 +  Turn On. 0 +  Turn Off.
	Volume Control	• The beeper can be turned off if desired. Beeps will still sound during programming.	Press and hold the [SET] button until the unit beeps, then release the [SET] button → Enter current Master Code (6 digits) then press  → Press 6 0  → 1 +  Turn On. 0 +  Turn Off.
	Auto-lock function	• Disabled by default. • When enabled, the lock will automatically re-lock after unlocking (Default: 10 seconds).	Press and hold the [SET] button until the unit beeps, then release the [SET] button → Enter current Master Code (6 digits) then press  → Press 8 0  → 1 +  Turn On. 0 +  Turn Off.
	Auto-lock delay timer	• Auto-lock timer can be set from 10 to 99 seconds according to your demand.	Press and hold the [SET] button until the unit beeps, then release the [SET] button → Enter current Master Code (6 digits) then press  → Press 7 0  → Enter new digits (10 - 99 seconds) → 

2 RESTORE TO FACTORY SETTINGS

⚠ This will erase all stored information, including the current Master Code and existing User Codes.

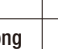



3 TROUBLESHOOTING

1 INSTALLATION

QUESTIONS	ANSWERS
A. The latch does not operate correctly after installation.	1. Make sure the backset on the latch is set to the proper length. 2. Make sure prior to installation latch bolt is retracted and key is not in lockset when installing the deadbolt. 3. Please restore to factory setting and enter the default Master Code to set up the lock.
B. Feel a bump while turning the thumbturn or the key?	1. Please execute lock & unlock function to allow the motor to reposition itself again. 2. The battery is low if the battery indicator light keeps flashing. Please replace with four new batteries. Hold the set button until long beep over. 3. Please restore to factory setting and enter the default Master Code to set up the lock.
C. Fail to set up the lock.	1. Please make sure the lock is installed correctly. 2. Please install the fresh batteries and make sure the cable is connected correctly.

2 OPERATION

QUESTIONS	ANSWERS
A. Lock Button keeps flashing.	1. The batteries are getting low, please replace with four new batteries for the best performance (alkaline batteries only).
B. Keypad not responding.	1. Make sure the batteries are installed properly. 2. The batteries are getting low if the Lock Button keeps flashing. Please replace with four new batteries for the best performance (alkaline batteries only). 3. Make sure the cable is well-connected to the port, and was not damaged during installation. 4. Please make sure the lock has been set up and complete the bolt direction determination.
C. Master Code can not be changed.	1. Please refer to [2] - 2 in the user guide to restore factory setting and reprogram all codes.
D. What should I do if wrong code was entered?	1. Press  button once and continue to input code according to regular procedures.
E. Can not delete all User Codes.	1. Make sure the whole code entering process is completed within 10 seconds, otherwise the unit will time out. 2. Make sure the Master Code has been entered correctly.
F. Can not add a new User Code.	1. Make sure the whole code entering process is completed within 10 seconds, otherwise the unit will time out. 2. Make sure the Master Code has been entered correctly. 3. The new User Code will not be accepted when the capacity is full. Try to delete any or some existing User Codes and then add new one(s) again. A User Code must be at least 4 to 6 digits.

QUESTIONS	ANSWERS
G. "Auto lock" does not function.	1. The batteries are low on power if the battery indicator keeps flashing. Please replace with four new batteries for the best performance. (Alkaline Batteries Only). 2. Please refer to [2] - 1 in the guide to enable the Auto-Lock function.
H. Lockset is not able to unlock / lock by keypad.	1. Make sure you have entered the correct User Code. 2. The battery is low if the battery indicator light keeps flashing. Please replace with four new batteries. 3. Make sure the cable is firmly connected. 4. Check the cable for any damage that may have occurred during installation. 5. Make sure the batteries are properly installed. (Alkaline batteries only) 6. Check the strike plate to make sure it is properly aligned and clear so the bolt can freely move in the hole.
I. Lockset is unable to reset.	1. Please refer to [2] - 2 in the user guide to restore factory settings and reprogram all codes. Hold the set button until long beep over. 2. The battery is low if the Lock Button light keeps flashing. Please replace with four new batteries. Hold the set button until long beep over.
J. How to operate the lockset in darkness?	1. Press any button to activate the lockset back light.
K. The red light is still on after setting is completed.	1. Check if [SET] button is jammed. 2. Re-install the batteries.
L. The lockset locks when I enter my code and unlocks when I press the  .	1. Un-install the interior and exterior assemblies. Before re-installation, please follow these guidelines: 1) Make sure the bolt is in the retracted position. 2) Do not have any key in the cylinder during installation. 3) Make sure the torque blade is inserted horizontally. 4) Reset the unit to factory settings and reprogram the Master Code and user codes.
M. I cannot remove my key unless it is in the locked position.	1. Un-install the interior and exterior assemblies. Before re-installation, please follow these guidelines: 1) Make sure the bolt is in the retracted position. 2) Do not have any key in lock cylinder. 3) Make sure the torque blade is inserted horizontally.

If the lock appears to be damaged or does not operate properly, please contact customer service for further assistance.

4 ACCESS CODE LIST

FEDERAL COMMUNICATIONS COMMISSION STATEMENT

This device complies with Part 15 of the FCC Rules. Operation is subject to the following two conditions:
 (1) this device may not cause harmful interference, and (2) this device must accept any interference received, including interference that may cause undesired operation.
 Changes or modifications not expressly approved by the party responsible for compliance could void the user's authority to operate the equipment.
 NOTE: This equipment has been tested and found to comply with the limits for a Class B digital device, pursuant to part 15 of the FCC Rules. These limits are designed to provide reasonable protection against harmful interference in a residential installation. This equipment generates, uses and can radiate radio frequency energy and, if not installed and used in accordance with the instructions, may cause harmful interference to radio communications. However, there is no guarantee that interference will not occur in a particular installation. If this equipment does cause harmful interference to radio or television reception, which can be determined by turning the equipment off and on, the user is encouraged to try to correct the interference by one or more of the following measures:
 - Reorient or relocate the receiving antenna.
 - Increase the separation between the equipment and receiver.
 - Connect the equipment into an outlet on a circuit different from that to which the receiver is connected.
 - Consult the dealer or an experienced radio/TV technician for help.

IC REGULATIONS

This Class B digital apparatus complies with Canadian ICES-003.
 Operation is subject to the following two conditions:
 (1) this device may not cause harmful interference, and (2) this device must accept any interference received, including interference that may cause undesired operation of the device.

⚠ After changing your Master Code, do not pass your Master Code to anyone else.

MASTER CODE (6 digits) WRITE YOUR MASTER CODE HERE FOR EASY ACCESS

Name	User Code (4-6 digits)

TEMPLATE

