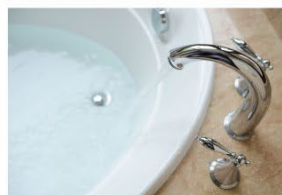
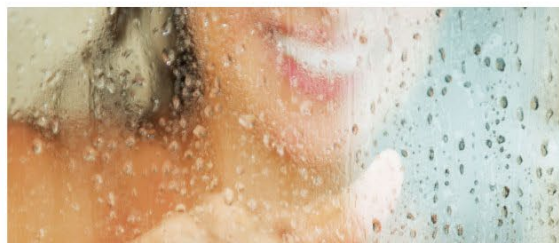


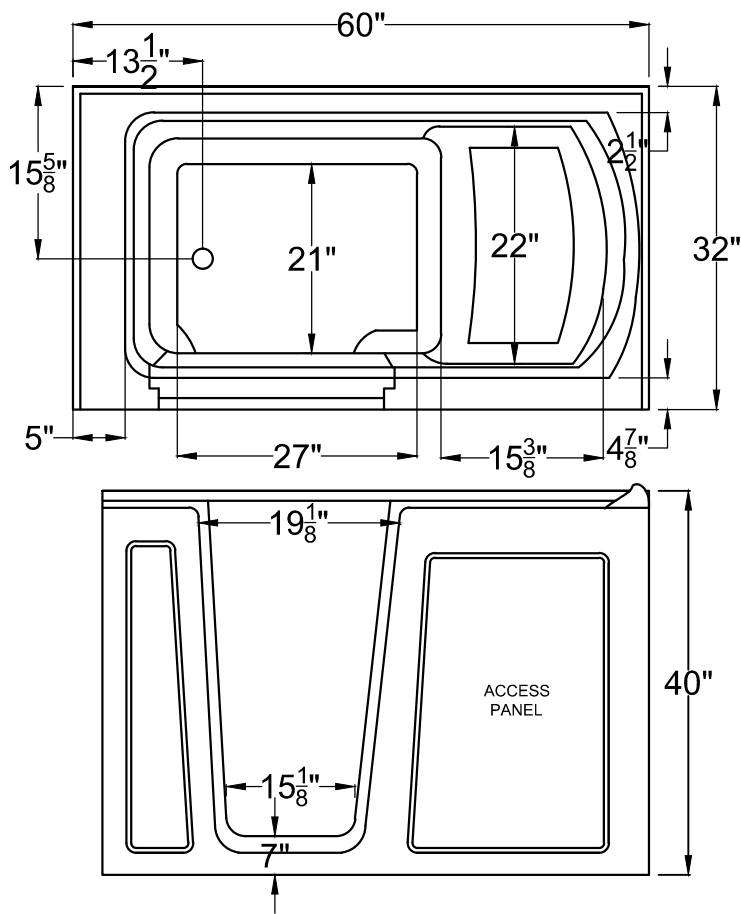
# Universal tubs

your doorway to independent bathing

Thank you for choosing Universal Tubs the nationwide manufacturer of walk-in tubs, bathtubs and bathroom fixtures exclusively made for the Home Depot.



For toll-free information or to speak to a knowledgeable representative simply call **1-877-360-4454** or visit us online at **[www.UniversalTubs.com](http://www.UniversalTubs.com)** or email us at **[info@UniversalTubs.com](mailto:info@UniversalTubs.com)**.



**3260**

32" x 60" x 40"

**INSTALLATION:** It is important that all leveling feet are completely touching the floor and level for the door system to work properly.

**GENERAL SPECIFICATIONS:**

**Material** Acrylic  
**Plumbed Weight** : 195lbs / 87kg  
**Soaker Weight** : 165lbs / 75kg  
**Average Fill**: 75 gal to above jet level

**ELECTRICAL SPECIFICATIONS:**

Required Electrical	Service 110 Volt
Air Bath or Whirlpool	1-15 amp GFCI
Whirlpool with Inline Heater	1-20 amp GFCI
Whirlpool and Air	1-20 amp GFCI
Soaker	

**PACKAGES AND OPTIONS**

Hydrotherapy Package	Package Contents	Part #
Soaker	Soaking bath - no jets, textured bottom	3260S
Whirlpool	Adjustable pointed-massage jets, 1-hp pump, textured bottom	3260H
Air Bath	Air jets, Air blower, Textured bottom	3260A
Whirlpool and Air	Adjustable pointed-massage jets, 1-hp pump, Air jets, Air blower, textured bottom	3260D

- OPTIONS
- Colors Available - White, Biscuit
- Quick Ship - reduces lead time - call for availability
- Inline Heater with Pump - Whirlpool or Whirlpool and Air Bath
- Lift & Turn Drain Kit -Chrome,Brushed Nickel, White
- Color Match Jets.
- Built in tile flange.

**IMPORTANT INFORMATION**

- Before ordering or installing, please consider future access to equipment.
- Please measure tub on-site before building tub surrounding.
- Jet, pump & blower locations are predetermined and cannot be changed.
- Tub door must remain close when not in uses.
- Please note that installer(s) must be certify or warranty will be voided.
- Specifications and configurations are subject to change without notice.
- Measurements are +1/2" and are subject to change without notice.
- Measurements herein supersede all others published prior to publication date shown below.