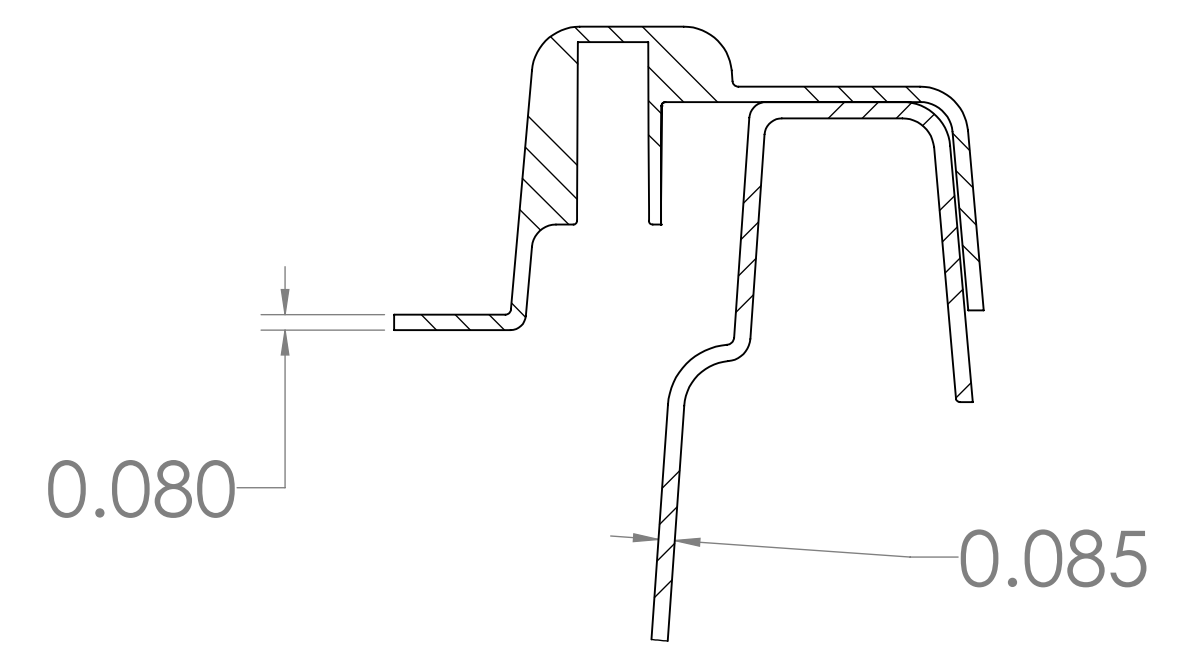
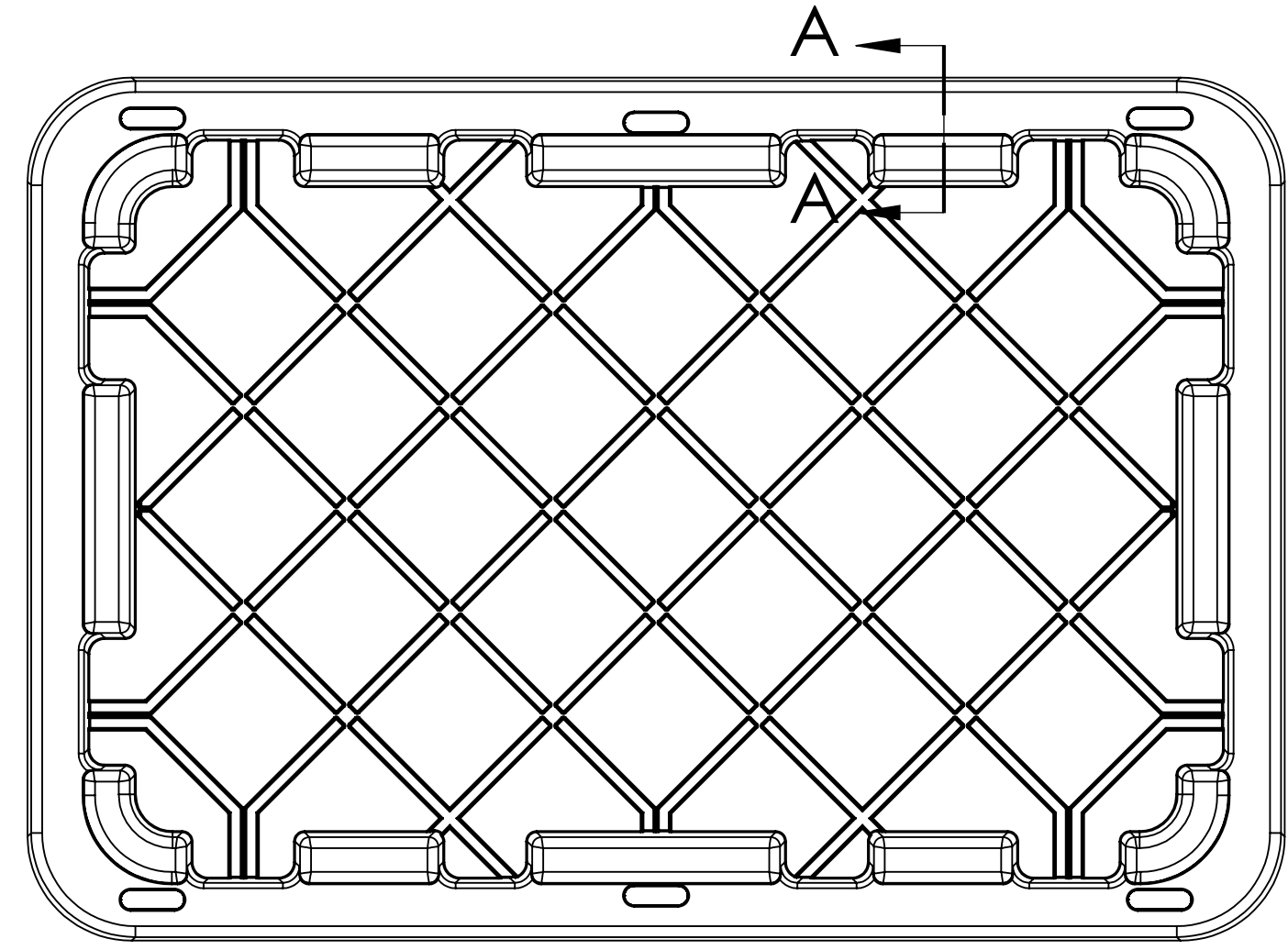
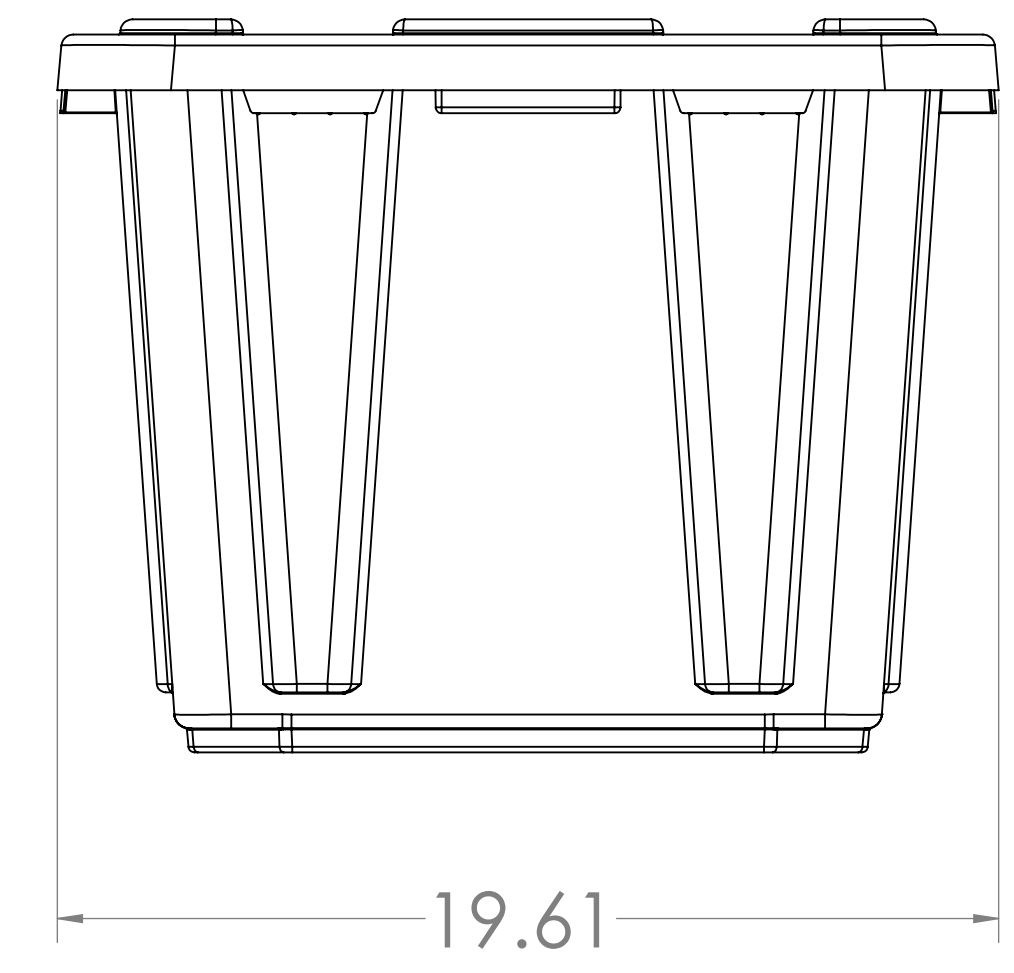
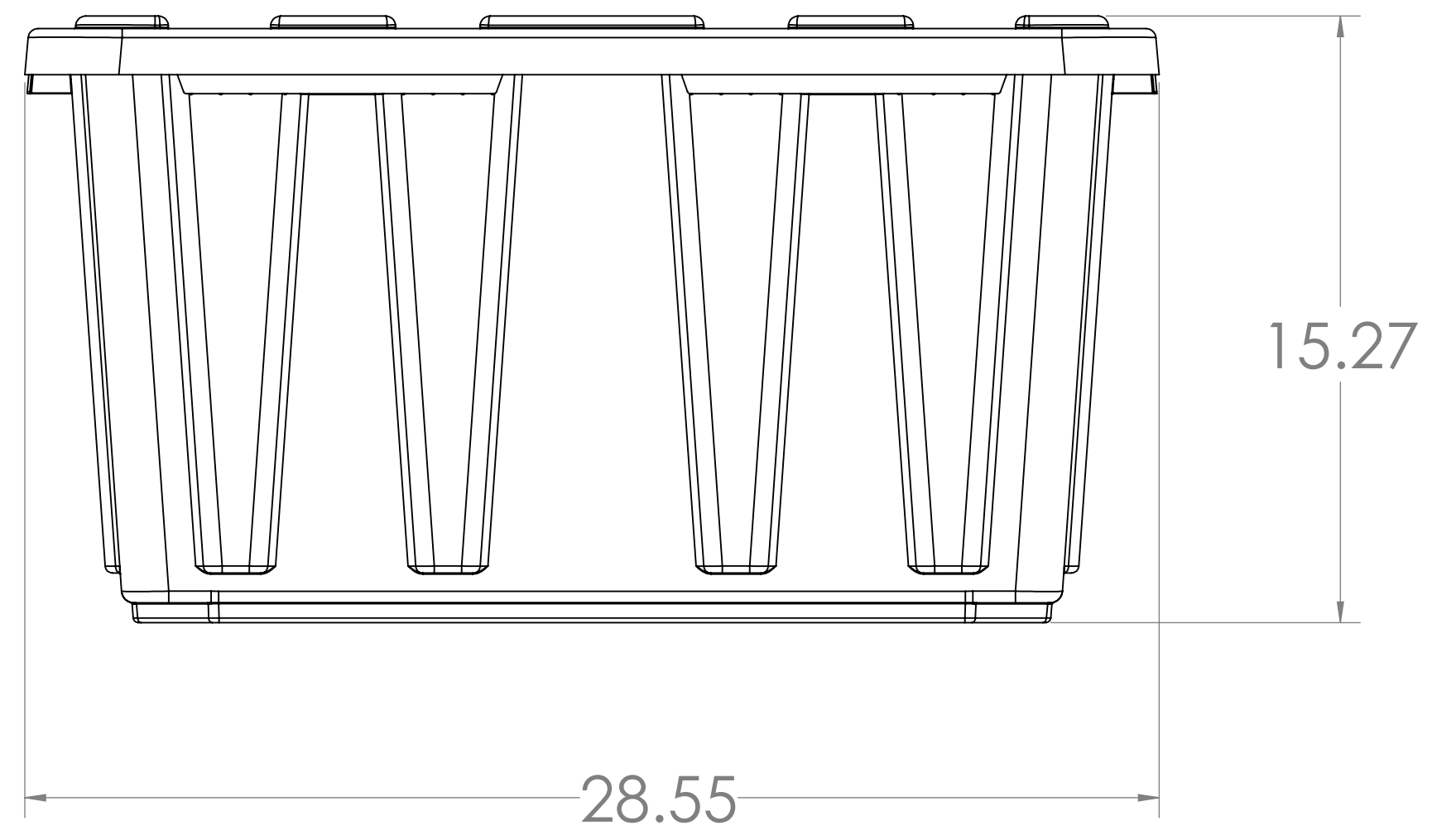
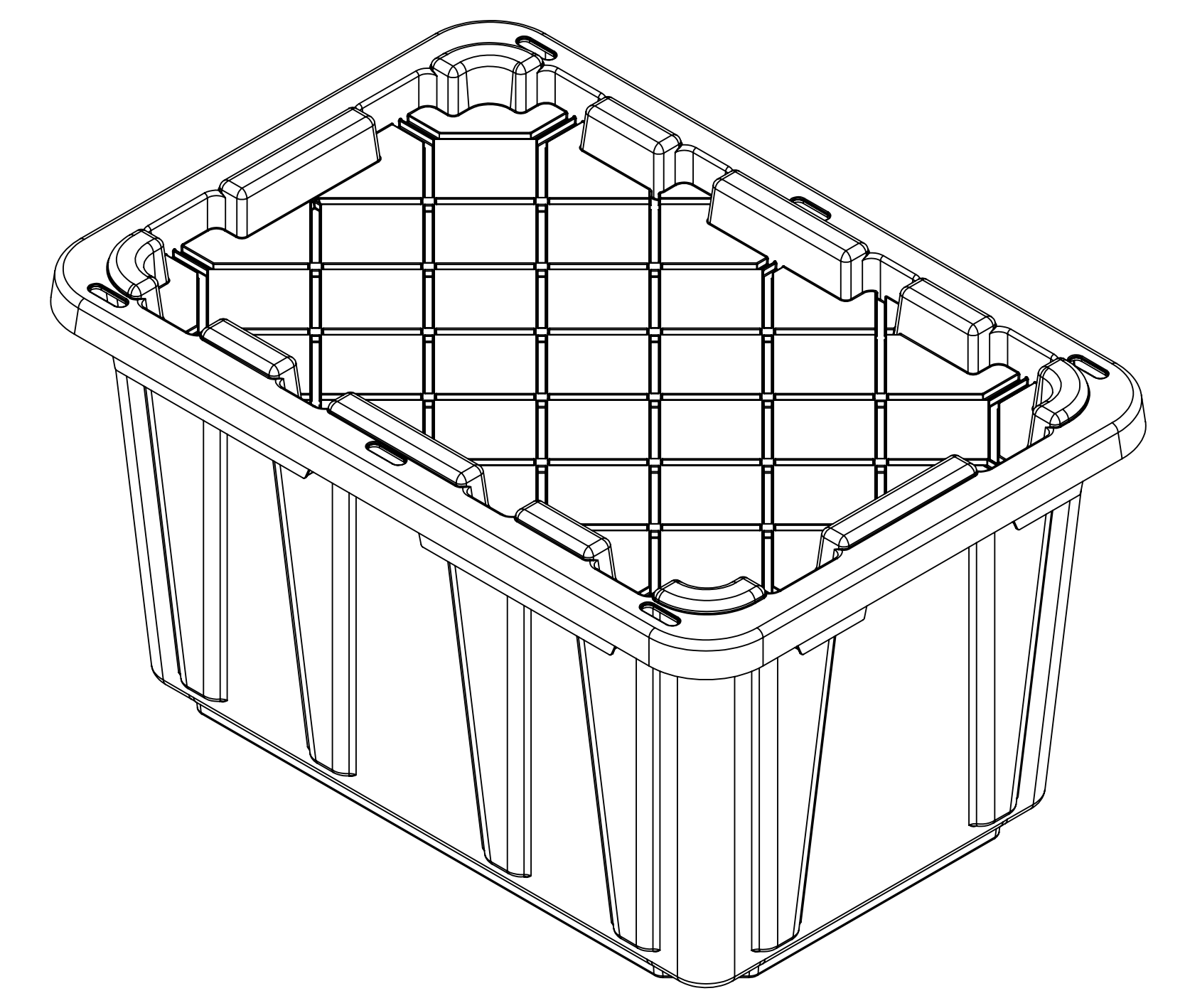


REVISIONS				
ZONE	REV.	DESCRIPTION	DATE	APPROVED



SECTION A-A
SCALE 1:1



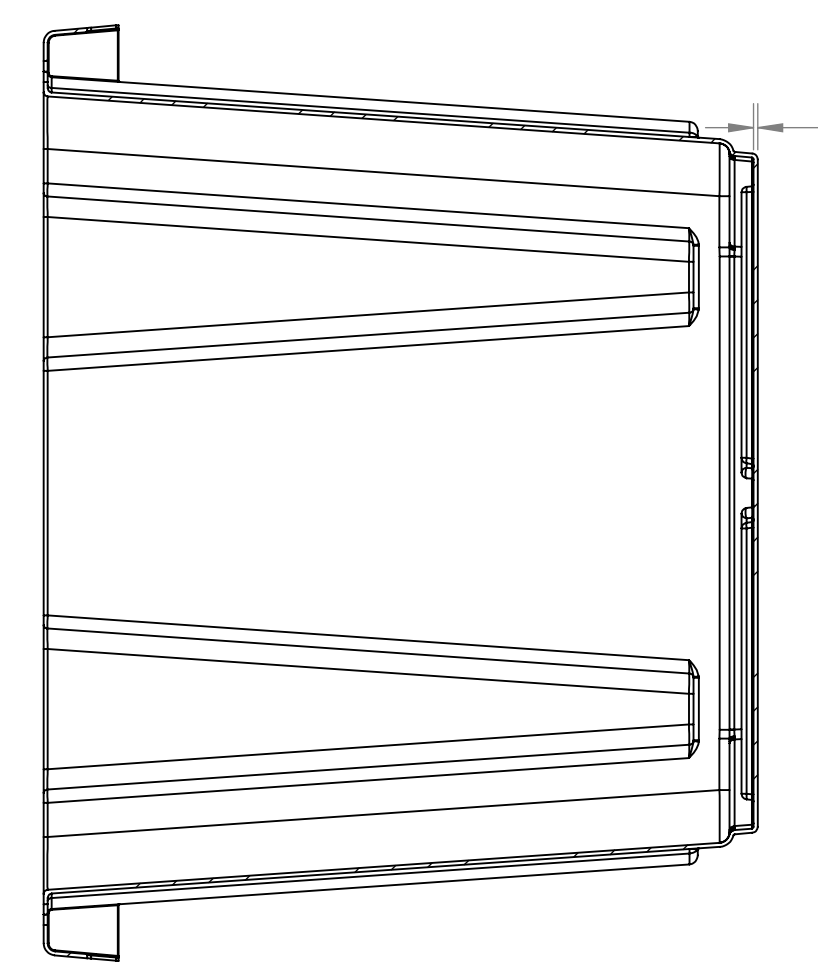
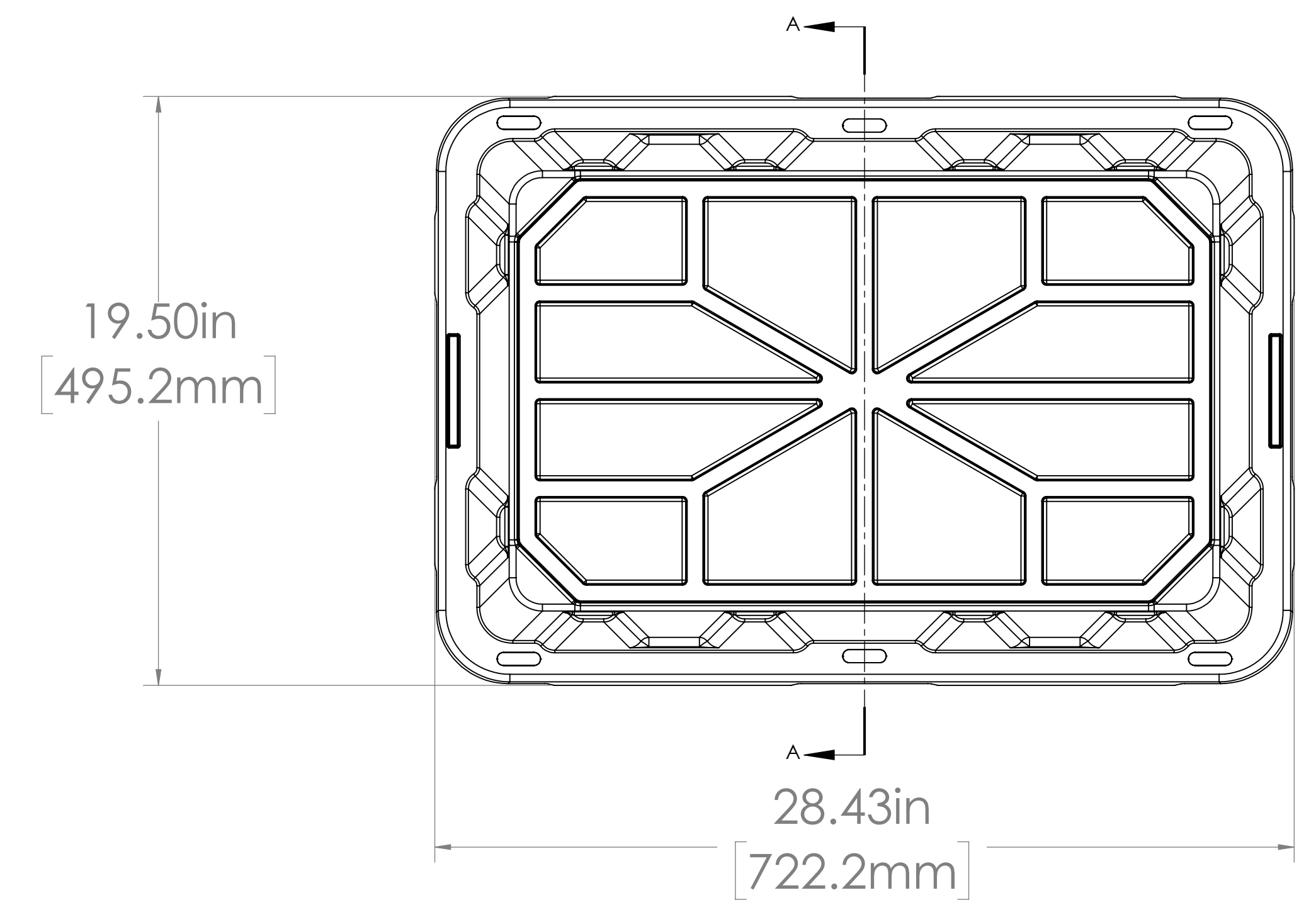
ITEM NO.	DESCRIPTION	Weight	QTY.
1	27 GALLON BIN	5.26	1
2	27 GALLON LID	2.36	1

UNLESS OTHERWISE SPECIFIED:		NAME	DATE
DIMENSIONS ARE IN INCHES	DRAWN		
TOLERANCES:	CHECKED		
FRACTIONAL ±	ENG APPR.		
ANGULAR MATCH ±	MFG APPR.		
TWO PLACE DECIMAL ±	Q.A.		
THREE PLACE DECIMAL ±	COMMENTS:		
INTERPRET GEOMETRIC TOLERANCING PER:			
MATERIAL			
FINISH			
NEXT ASSY	USED ON		
APPLICATION			

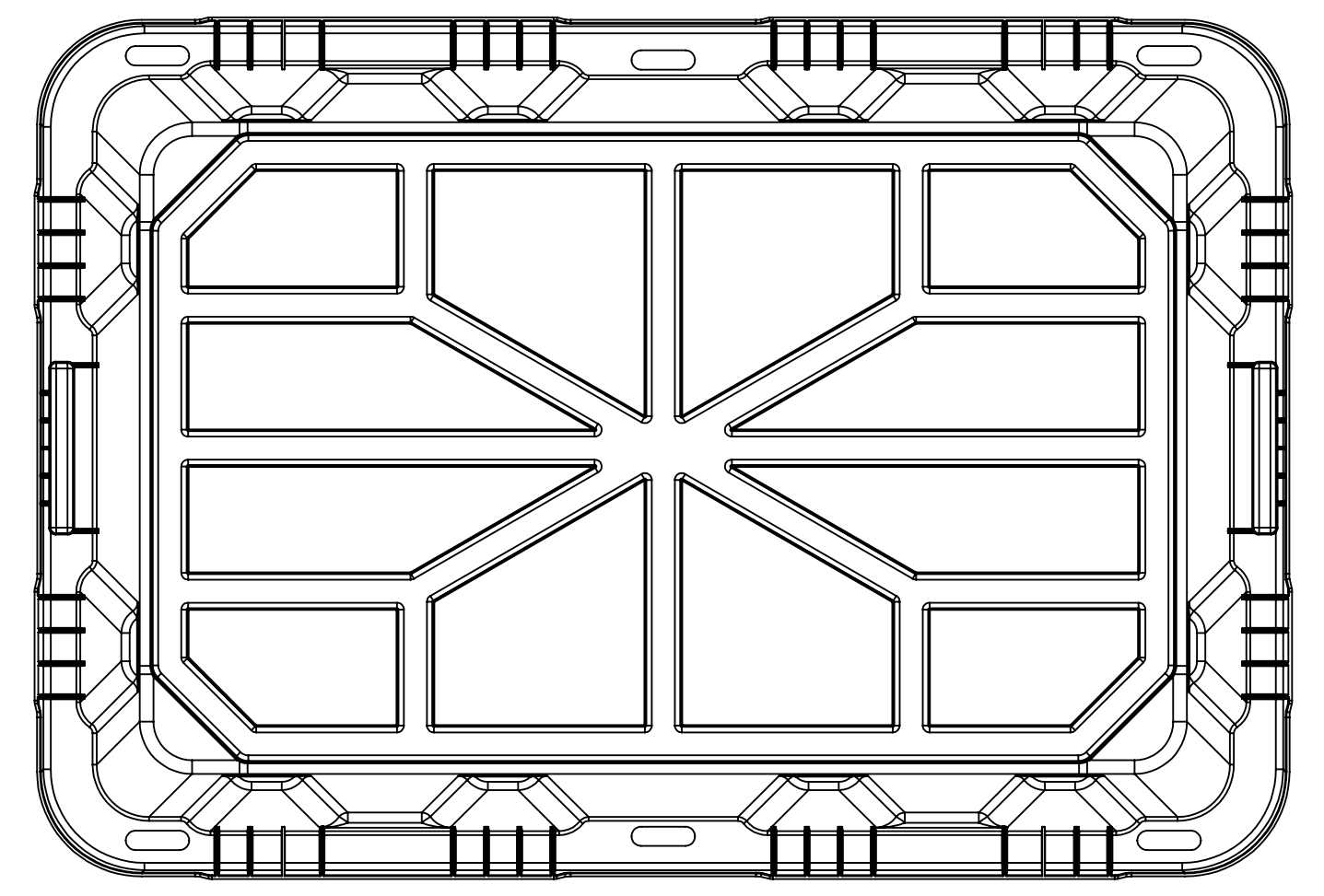
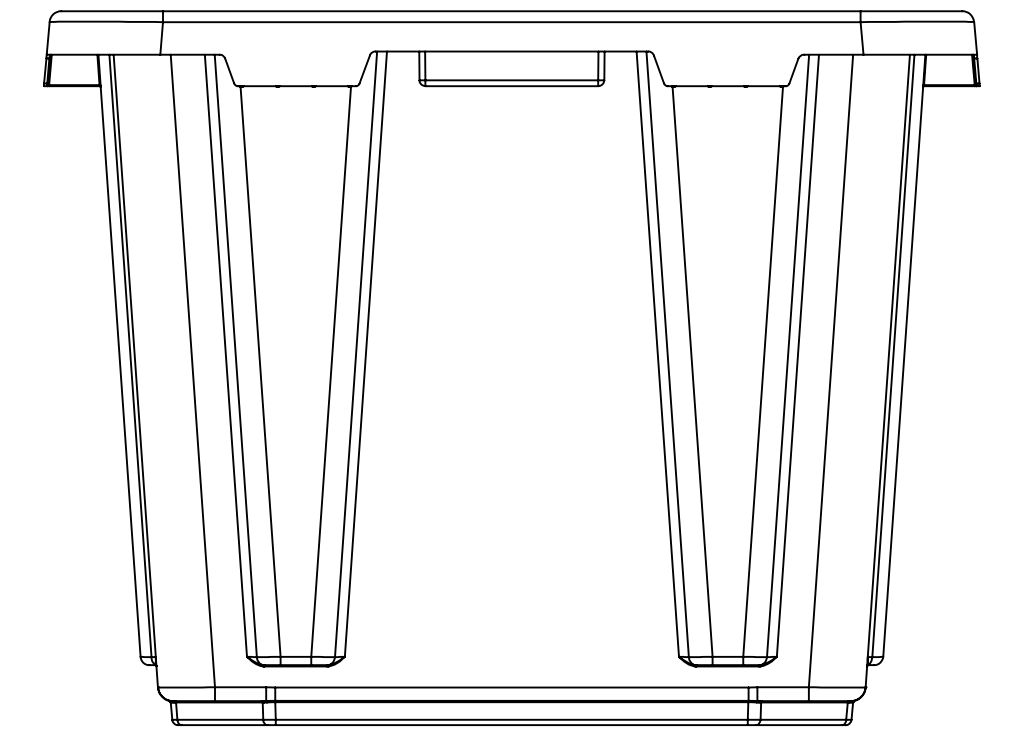
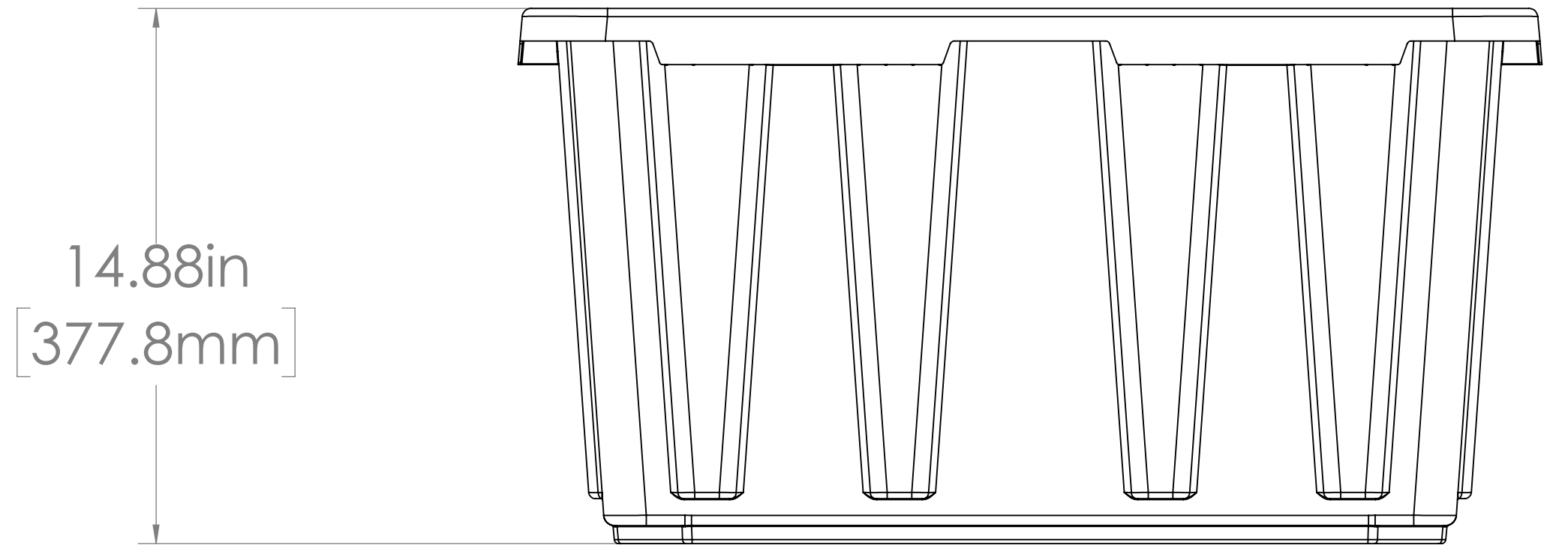
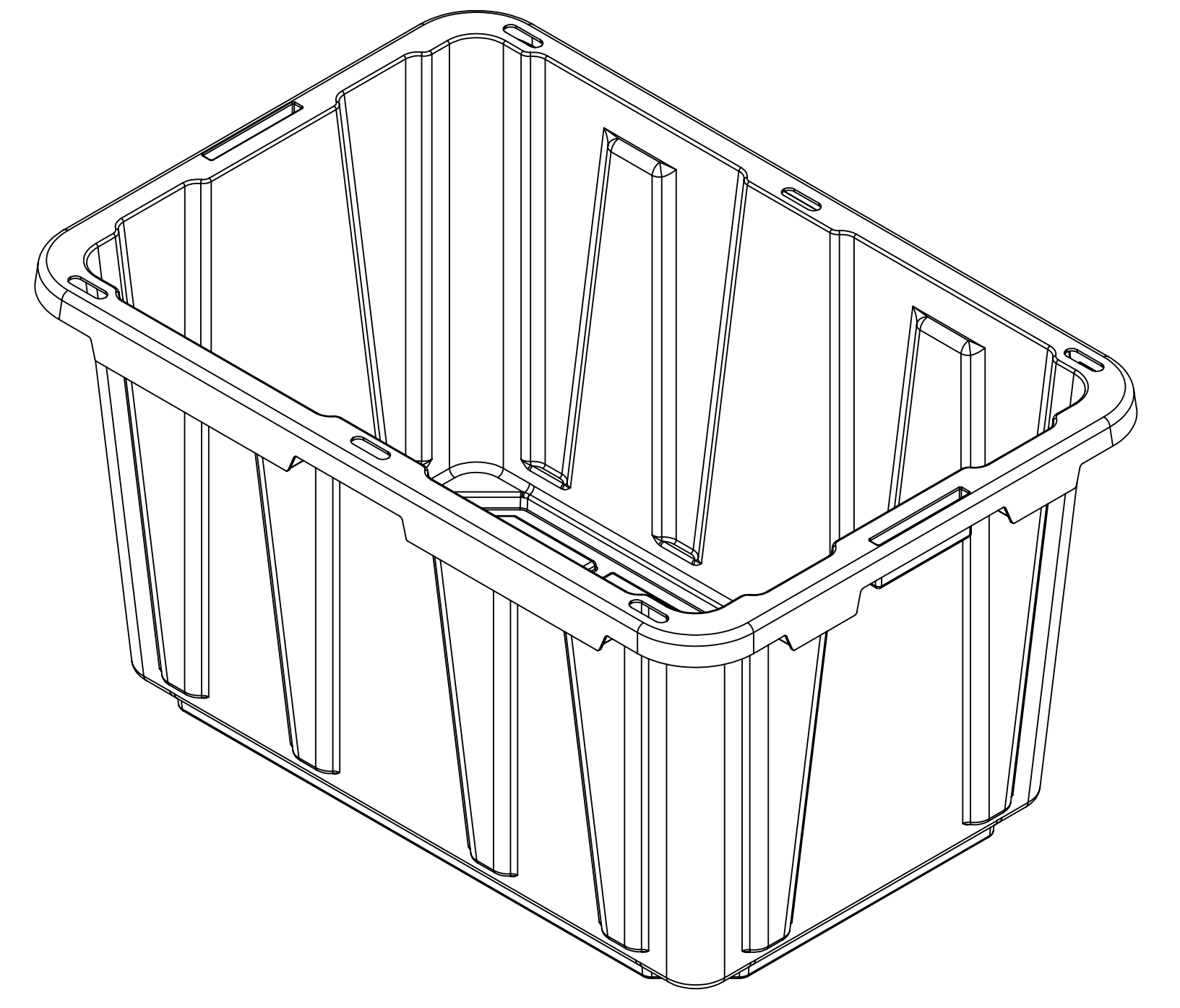
	
TITLE: 27 GALLON BIN ASSEMBLY	
SIZE DWG. NO.	REV
D	
SCALE: 1:4 WEIGHT: 7.62	SHEET 1 OF 1

PROPRIETARY AND CONFIDENTIAL
THE INFORMATION CONTAINED IN THIS DRAWING IS THE SOLE PROPERTY OF CREATIVE PLASTICS CONCEPTS. ANY REPRODUCTION IN PART OR AS A WHOLE WITHOUT THE WRITTEN PERMISSION OF CREATIVE PLASTICS CONCEPTS IS PROHIBITED.

REVISIONS				
ZONE	REV.	DESCRIPTION	DATE	APPROVED



SECTION A-A



ITEM NO.	DESCRIPTION	WEIGHT	QTY.
1	27 GALLON BIN	5.26	1

UNLESS OTHERWISE SPECIFIED:	DRAWN	NAME	DATE
TOLERANCES:	CHECKED		
FRACTIONAL ±	ENG APPR.		
ANGULAR MATCH ±	MFG APPR.		
TWO PLACE DECIMAL ±			
THREE PLACE DECIMAL ±			
INTERPRET GEOMETRIC TOLERANCING PER:	Q.A.		
MATERIAL	COMMENTS:		
PP Homopolymer			
FINISH			

THE INFORMATION CONTAINED IN THIS DRAWING IS THE SOLE PROPERTY OF CENTREX PLASTICS, LLC. ANY REPRODUCTION IN PART OR AS A WHOLE WITHOUT THE WRITTEN PERMISSION OF CENTREX PLASTICS LLC IS PROHIBITED.	CREATIVE PLASTIC C.O.P.C.®	TITLE: 27 GALLON BIN	REV
	SIZE DWG. NO.		
	SCALE: 1:4	WEIGHT: 5.26 LBS	SHEET 1 OF 1