

ASCOT II

BUILDERS' CHOICE

66 x 34 x 21 1/2 inches



FEATURES ~

- Ergonomic bathing well
- Sculpted armrests
- Pre-leveled wood base
- Slip resistant floor
- Premium cast acrylic surface
- Limited 10-year warranty

* Note: Availability of individual models varies by Regional Servicing Plant.
Please consult your price list and/or A/B model list for availability in your area.

COLOR OPTIONS

Stock	Upgraded
White	Biscuit

AVAILABLE SYSTEM

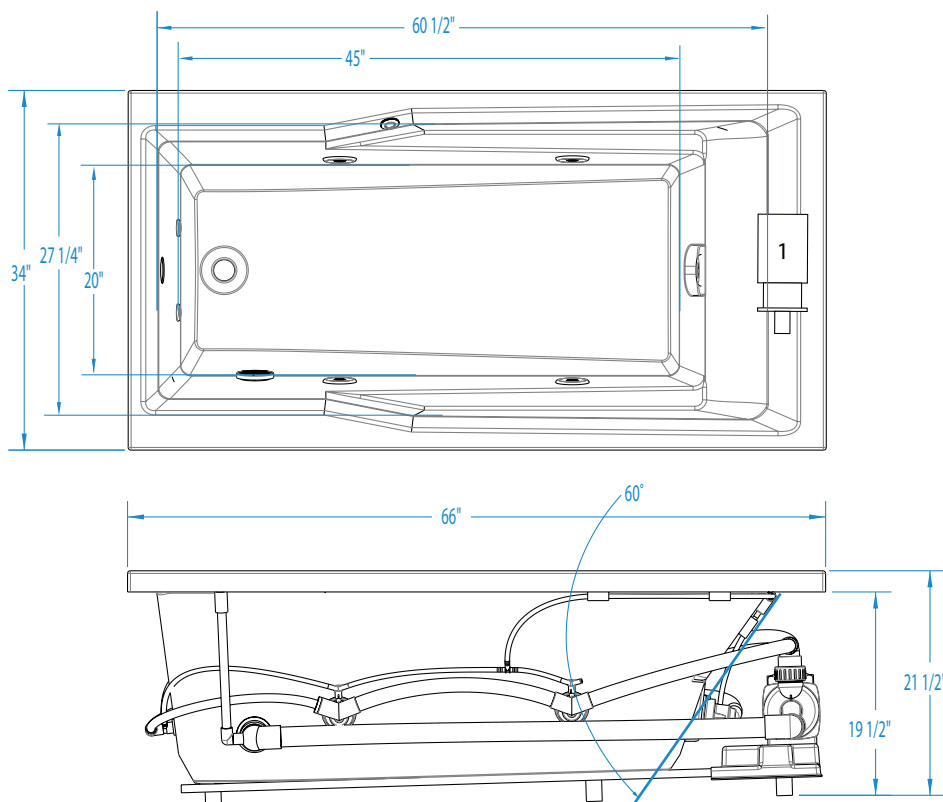
WHIRLPOOL

- Pneumatic on/off control
- 7 hydrotherapy jets
 - High-flow directional jets
 - Low-profile spinning micro-jets
- Whirlpool pump
- Safety suction system



ASCOT II

66 x 34 x 21 1/2 inches



FEATURES

Dimensional Tolerance $\pm 3/8"$. Dimensions needed for site preparation should be measured from the unit. Aquatic assumes no responsibility for preparatory work.

Type and Model #	Material	Jets	Pump	Heater	Controls	Drain	Pkg. Wt. lbs
Soaker #4466530	Cast Acrylic	0	-	-	-	Universal	116
Whirlpool #4466531	Cast Acrylic	7	63 GPM	1.5kW inline (optional)	Pneumatic	Universal	166

DIMENSIONS inches

Width Overall / Net	Depth Overall / Net	Height Overall / Net	Skirt Height
66	34	21 1/2 / 19 1/2	-

SUMP DATA inches

Capacity to Overflow gal	Min. Operat- ing Capacity gal	WIDTH @ centerline		DEPTH @ centerline	
		Top	Bottom	Top	Bottom
62	47	60 1/2	45	27 1/4	20

PLUMBING DIMENSIONS inches

A	B	Drain to Overflow	Drain Diameter / Clearance
2	7 3/4	14	2 / 1 1/4

ELECTRICAL DATA

Component	Specification	Requirement
Pump	5 AMP; 120 V	15 AMP; 120V, separate circuit; Class A GFCI
Optional Heater (whirlpool model)	1.5KW; 12 AMP; 120 V	15 AMP; 120V, separate circuit; Class A GFCI

NOTES:

1) Where applicable, utilize cut-out templates packed with unit for deck cutouts.

2) 16 x 16 minimum access required at pump/blower location(s).