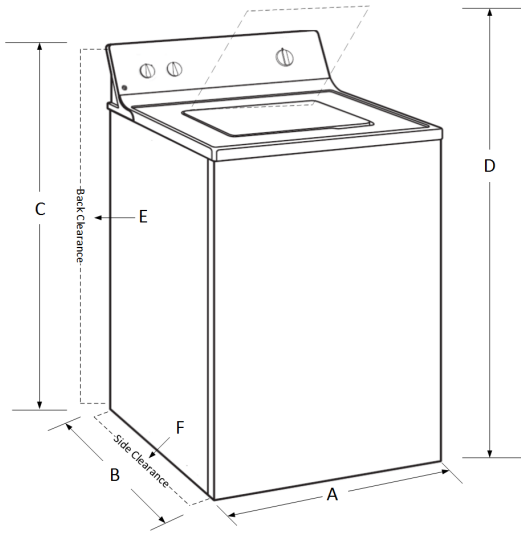




WT7600HKA

5.2 cu.ft. MEGA Capacity Top Load Washer with TurboWash® Technology

LAUNDRY



OPTIONS 14

PROGRAMS 14



DIMENSIONS

Product Width	A	27"
Product Depth	B	28 3/8"
Product Height	C	44 1/2"
With Door Open	D	57 1/5"
Back Clearance	E	4"
Side Clearance	F	1"
Carton (WxHxD, inch)	29 1/2" x 47" x 31 1/4"	
Weight (Product, lbs)	146.9	
Weight (Carton, lbs)	162.3	

FEATURES

Smart Diagnosis™	Smart Diagnosis™
IMEF	2.38
IWF	3.5

OPTIONS

Matching Dryer	DL_X7600(1)W[E]K[E]
Available Colors	White (W), Black Stainless Steel (K)

UPC CODE / WARRANTY

UPC CODE	048231017060
Colors	Black Stainless Steel
Parts & Labor	1 Year
Motor	10 Years
Drum	Lifetime

MOTOR AND AGITATOR

Motor Type	Inverter Direct Drive
Motor Speed	Variable
Axis	Vertical
Max RPM	950

POWER SOURCE

Ratings	CSA Listed
Type	Top Load
Electrical Requirements	120V, 60Hz, 10 Amps/Electric

Dimensions and weights are approximate. Design, features and specifications subject to change without notice.