



**ARIENS**

# IKON XL

## Parts Manual

*Models:*

915226

915227

915228

915229



# THE MANUAL

---

Before you operate your unit, carefully and completely read manuals supplied with the unit. The contents will provide you with an understanding of safety instructions and controls during normal operation and maintenance.

For your safety and the safety of others always read, understand, and follow all DANGER, WARNING, and CAUTION messages found in manuals and on safety decals.

Hardware descriptions are given in decimals.

Decimals to Fractions			
.063	1/16	.563	9/16
.125	1/8	.625	5/8
.188	3/16	.688	11/16
.250	1/4	.750	3/4
.313	5/16	.813	13/16
.375	3/8	.875	7/8
.438	7/16	.938	15/16
.500	1/2	1.00	1

## SERVICE AND REPLACEMENT PARTS

---

When ordering replacement parts or making service inquiries, know the Model and Serial numbers of your unit and engine.

Numbers are located on the product registration card in the unit literature package. They are printed on a serial number label, located on the frame of your unit.

- Record Unit Model and Serial numbers here:

- Record Engine Model and Serial numbers here:

## UNAUTHORIZED REPLACEMENT PARTS

Use only Ariens replacement parts. The replacement of any part on this vehicle with anything other than an Ariens authorized replacement part may adversely affect the performance, durability, or safety of this unit and may void the warranty. Ariens disclaims liability for any claims or damages, whether warranty, property damage, personal injury or death arising out of the use of unauthorized replacement parts.

# PRODUCT REGISTRATION

---

The Ariens dealer must register the product at the time of purchase. Registering the product will help the company process warranty claims or contact you with the latest service information. All claims meeting requirements during the limited warranty period will be honored, whether or not the product registration card is returned. Keep a proof of purchase if you do not register your unit.

**Customer Note:** If Dealer does not register your product, please fill out, sign and return the product registration card to Ariens or go to [www.ariens.com](http://www.ariens.com).

## YOUR SATISFACTION IS IMPORTANT

---

Questions? Please follow these helpful steps:

1. Refer to the manuals supplied with your unit.  
They will guide you through safe and proper operation and maintenance.  
They contain specifications on your unit.  
If your questions are not answered in these manuals, go to step number two.
2. Contact Your Dealer.  
Our dealers will be happy to supply any service or advice required to keep your unit operating at peak efficiency.

A factory trained staff is available to support your equipment needs. They stock genuine Ariens parts and lubricants manufactured with the same precision and skill as the original.

If your questions are not resolved by the support staff, ask for the manager or owner.

When contacting your Dealer supply your model and serial numbers.

## TO SPEED PARTS ORDERING:

1. Know the model and serial numbers of your unit.
2. Know the part number required.
3. Know the quantity required.
4. Know the part description.

# MODELS

---

**Model 915226 (IKON XL 42)**

Kohler 22HP Twin with 42" Mower Deck  
Serial No. 000101 +

**Model 915227 (IKON XL 52)**

Kohler 24HP Twin with 52" Mower Deck  
Serial No. 000101 +

**Model 915228 (IKON XL 60)**

Kohler 25HP Twin with 60" Mower Deck  
Serial No. 000101 +

**Model 915229 (IKON XL 60)**

Kawasaki FR730 24HP with 60" Mower Deck  
Serial No. 000101 +

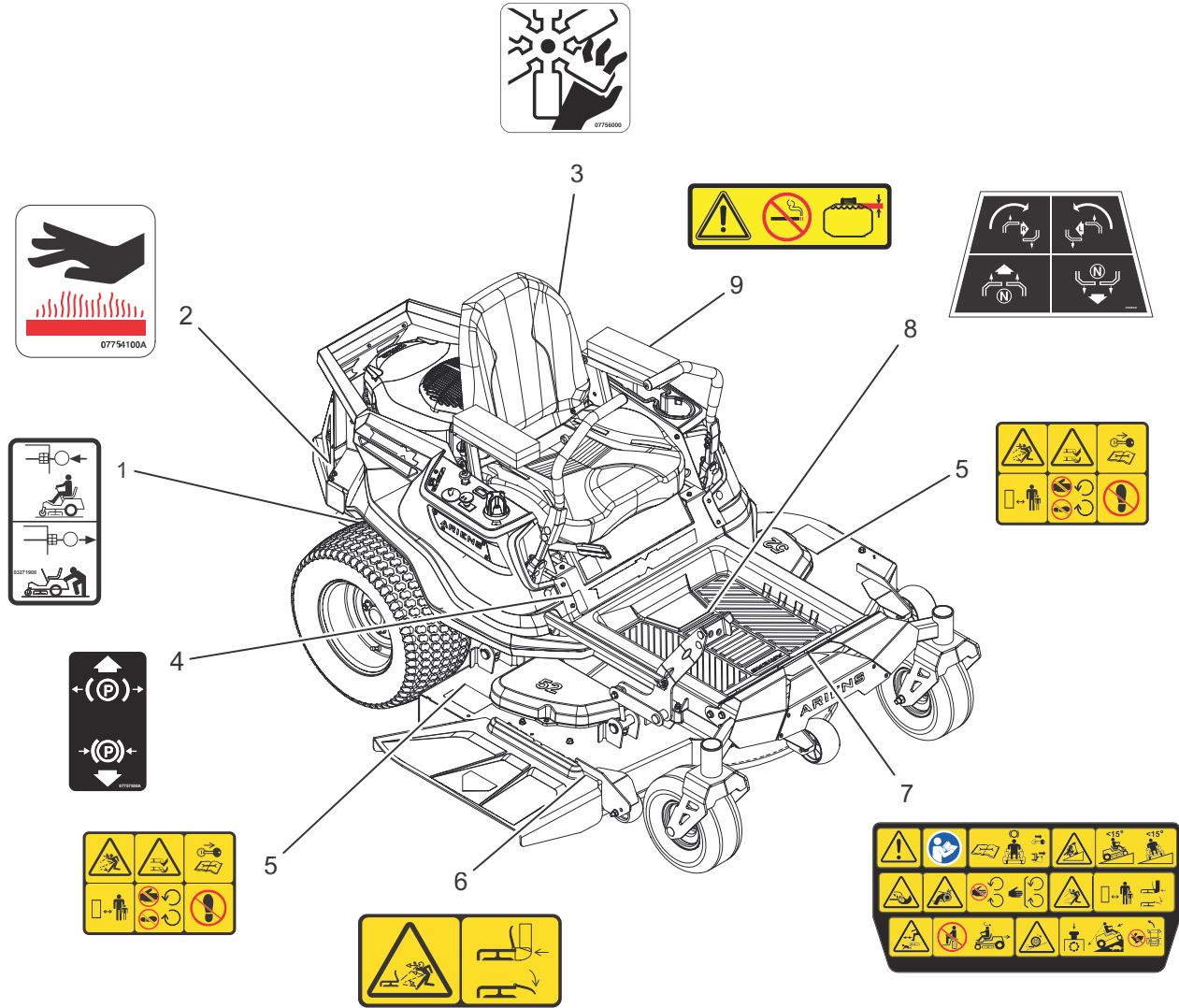
# TABLE OF CONTENTS

---

Decals – Safety . . . . .	4
Decals – Style 42" . . . . .	5
Decals – Style 52" . . . . .	6
Decals – Style 60" . . . . .	7
Frame . . . . .	8
Engine – Kohler 22HP Twin . . . . .	9
Engine – Kohler 24HP Twin . . . . .	10
Engine – Kohler 25HP Twin . . . . .	11
Engine – Kawasaki FR730 . . . . .	12
Seat . . . . .	13
Bumper . . . . .	14
Fenders . . . . .	15
Fuel System . . . . .	16
Control Panel . . . . .	17
Electrical . . . . .	18
Wiring Diagram . . . . .	19
Front Caster Wheels . . . . .	20
Rear Tires and Transaxles – 42" . . . . .	21
Rear Tires and Transaxles – 52" . . . . .	22
Rear Tires and Transaxles – 60" . . . . .	23
Transaxle Drive . . . . .	24
Controls . . . . .	25
Parking Brake . . . . .	26
Deck Lift . . . . .	27
Height of Cut . . . . .	28
Deck Mount . . . . .	29
Deck, Belt, Blades and Spindles – 42" . . . . .	30
Deck, Belt, Blades and Spindles – 52" . . . . .	31
Deck, Belt, Blades and Spindles – 60" . . . . .	32
Idlers and Sheaves – 42" . . . . .	33
Idlers and Sheaves – 52" . . . . .	34
Idlers and Sheaves – 60" . . . . .	35
Anti-Scalp Wheels – 42" . . . . .	36
Anti-Scalp Wheels – 52" . . . . .	37
Anti-Scalp Wheels – 60" . . . . .	38
Belt Covers and Baffles – 42" . . . . .	39
Belt Covers and Baffles – 52" . . . . .	40
Belt Covers and Baffles – 60" . . . . .	41
Discharge Chute . . . . .	42

# DECALS – SAFETY

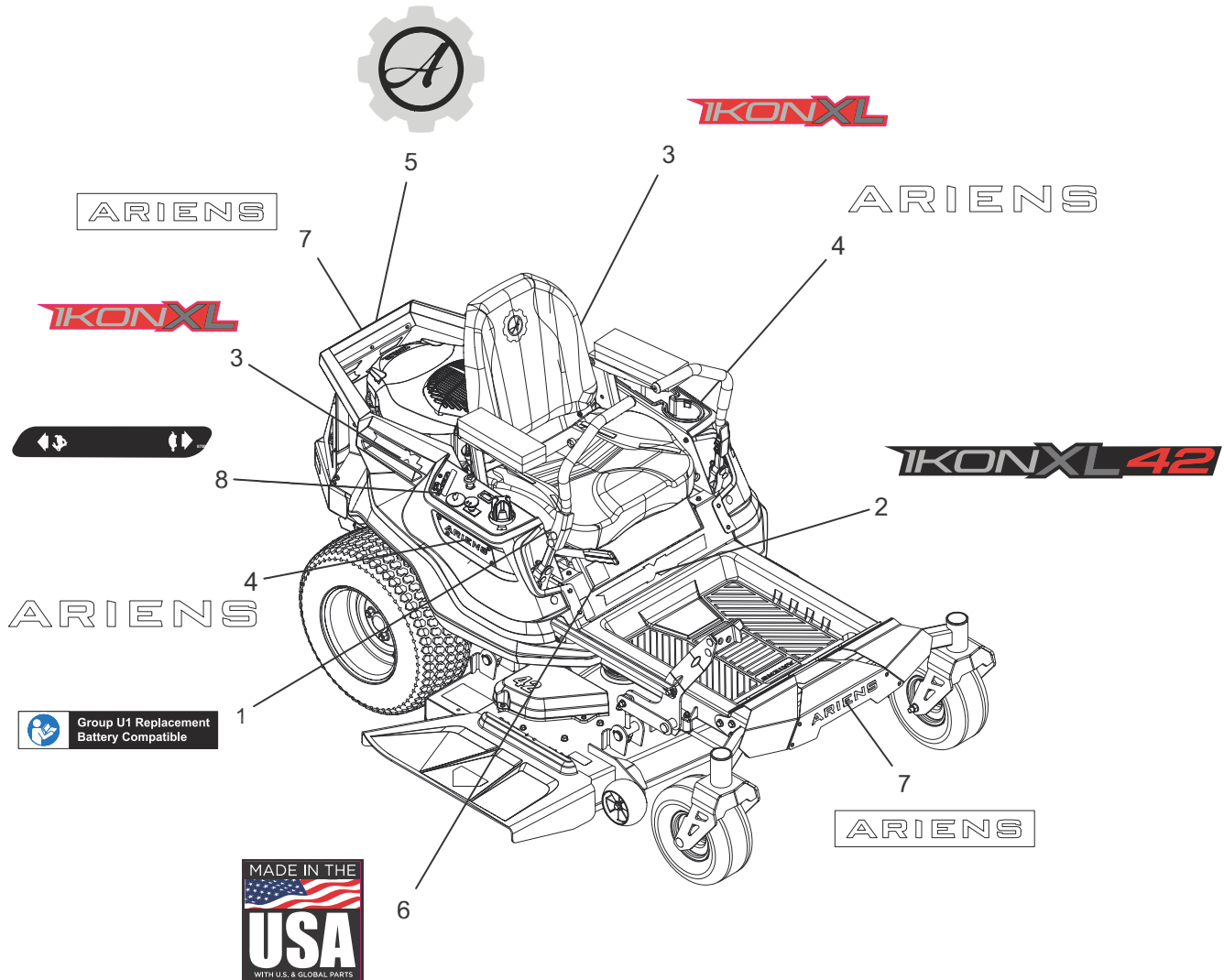
Models All



BOM ID	Number	Qty	Description
1	03271900	2	DECAL, TRANSMISSION DISCONNECT
2	07754100	2	DECAL HOT SURFACE
3	07756000	2	DECAL, DANGER - FAN
4	07757500	1	DECAL, PARKING BRAKE LEVER
5	07800340	2	DECAL, SAFETY - MOWER DECK
6	07800402	1	DECAL, SAFETY - DECK GUARDING
7	07800537	1	DECAL, MAIN SAFETY-IKON ZTX
8	07800541	1	DECAL, STEERING
9	07800820	1	DECAL, FUEL WARNING

# DECALS – STYLE 42"

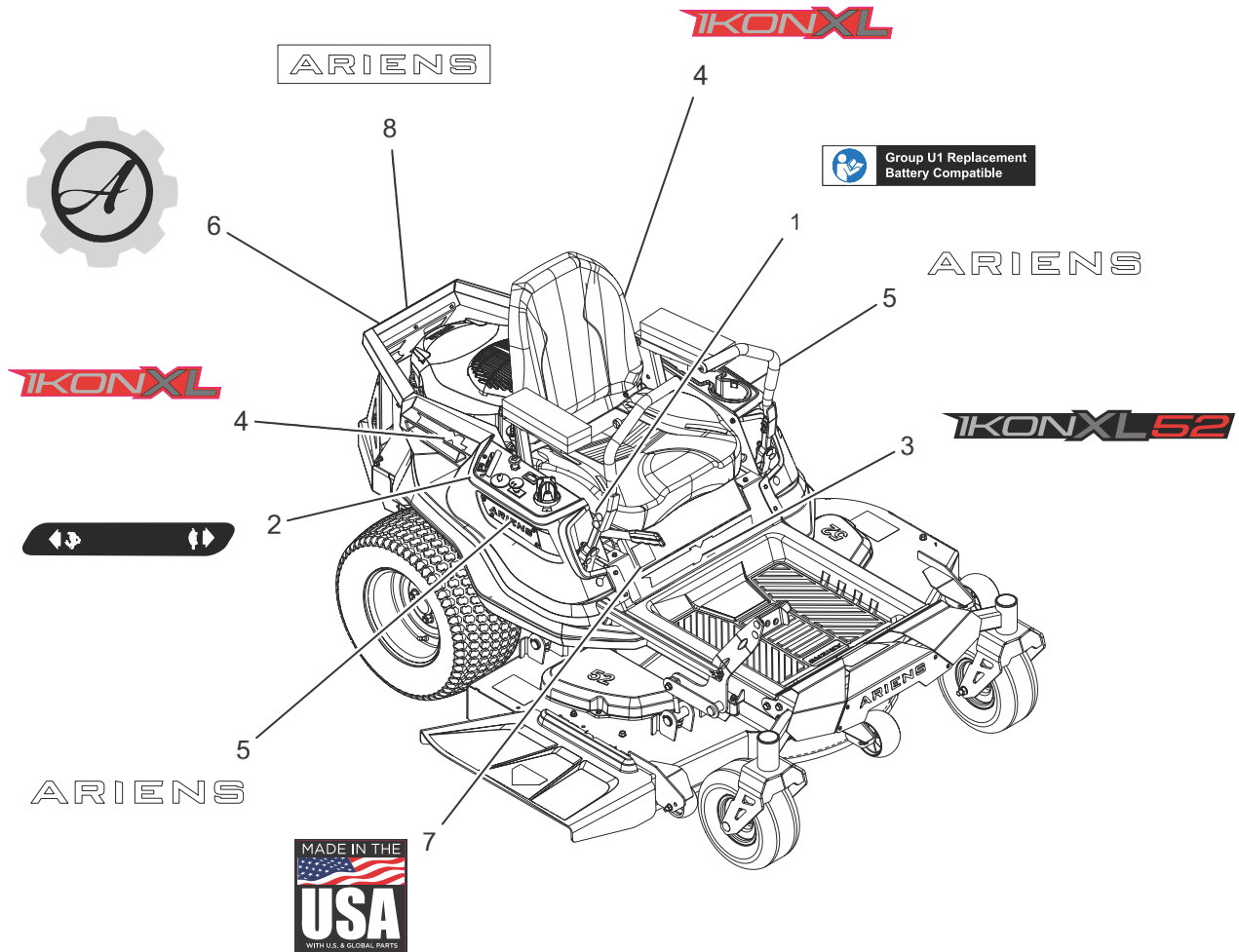
Model 915226



BOM ID	Number	Qty	Description
1	07800336	1	DECAL, U1 REPLACEMENT BATTERY
2	07800824	1	DECAL, IKON-XL 42 KICKPLATE
3	07800828	2	DECAL, IKON-XL FENDER
4	07800829	2	DECAL, ARIENS 6.00"
5	08001034	1	DECAL, ARIENS
6	08001038	1	DECAL, MADE IN USA
7	08001108	2	DECAL, ARIENS - BADGE
8	07800540	1	DECAL, DASH

# DECALS – STYLE 52"

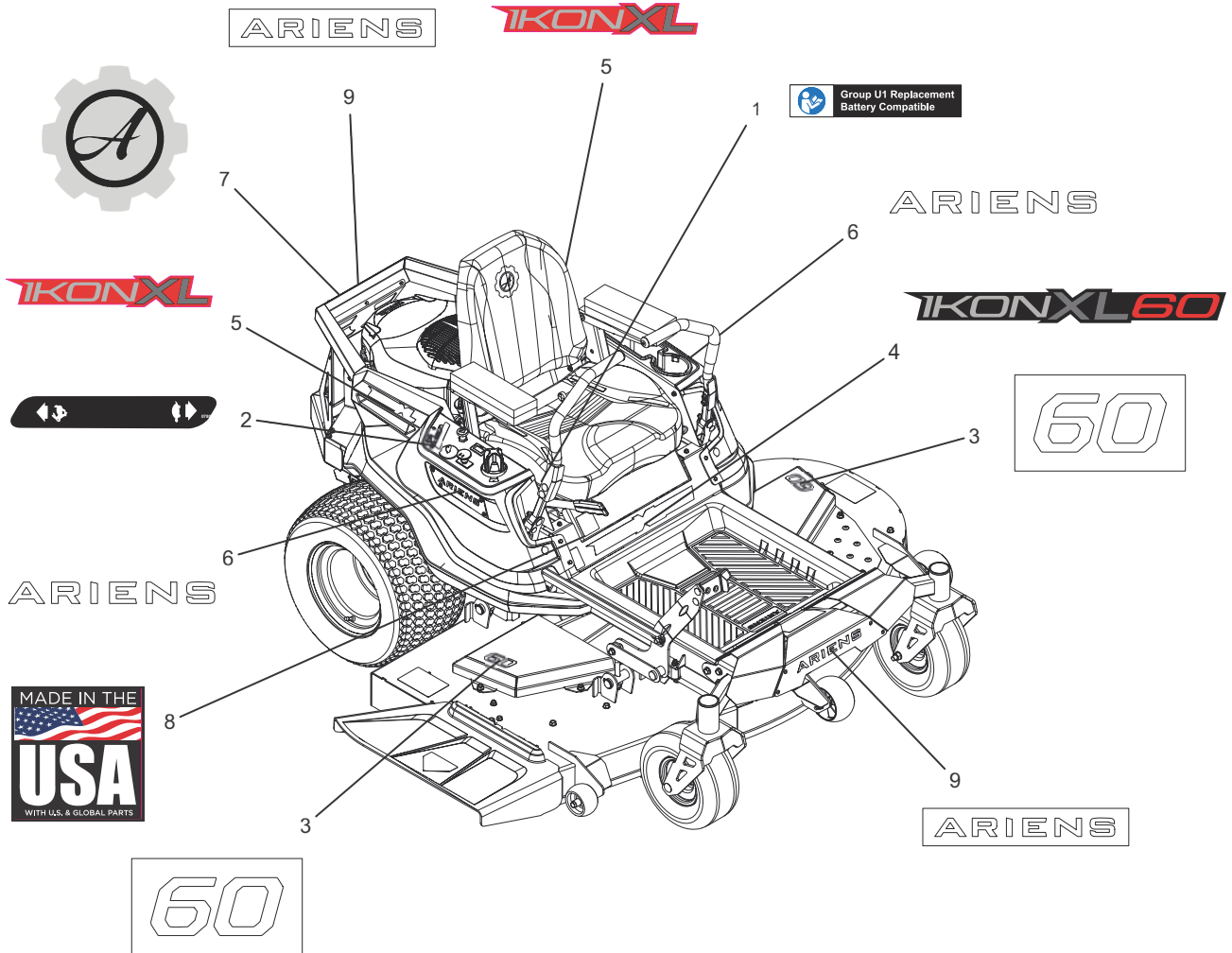
Model 915227



BOM ID	Number	Qty	Description
1	07800336	1	DECAL, U1 REPLACEMENT BATTERY
2	07800540	1	DECAL, DASH
3	07800825	1	DECAL, IKON-XL 52 KICKPLATE
4	07800828	2	DECAL, IKON-XL FENDER
5	07800829	2	DECAL, ARIENS 6.00"
6	08001034	1	DECAL, ARIENS
7	08001038	1	DECAL, MADE IN USA
8	08001108	1	DECAL, ARIENS - BADGE

# DECALS – STYLE 60"

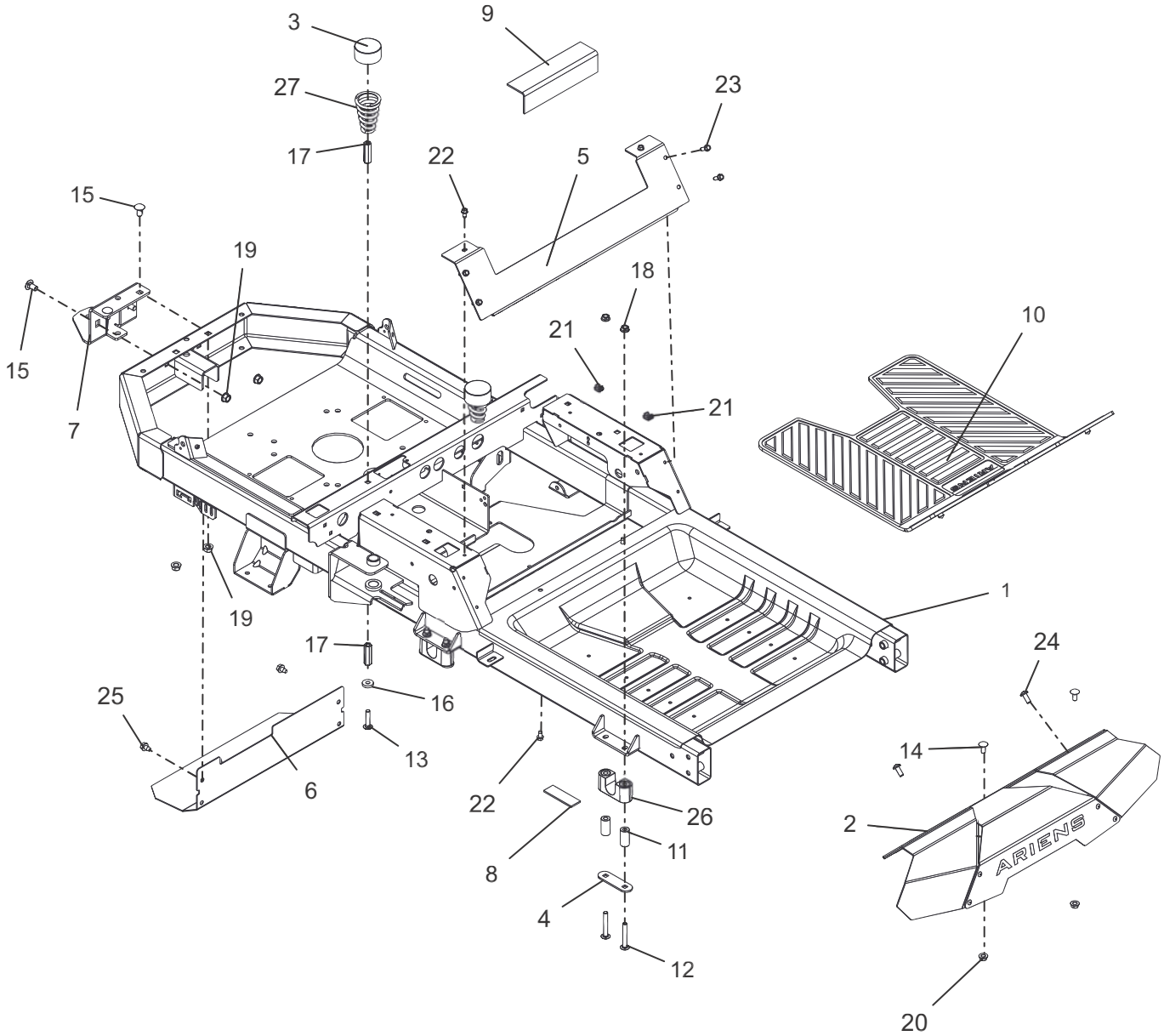
Models 915228, 229



BOM ID	Number	Qty	Description
1	07800336	1	DECAL, U1 REPLACEMENT BATTERY
2	07800540	1	DECAL, DASH
3	07800615	2	DECAL, 60"
4	07800826	1	DECAL, IKON-XL 60 KICKPLATE
5	07800828	2	DECAL, IKON-XL FENDER
6	07800829	2	DECAL, ARIENS 6.00"
7	08001034	1	DECAL, ARIENS
8	08001038	1	DECAL, MADE IN USA
9	08001108	2	DECAL, ARIENS - BADGE

# FRAME

Models All



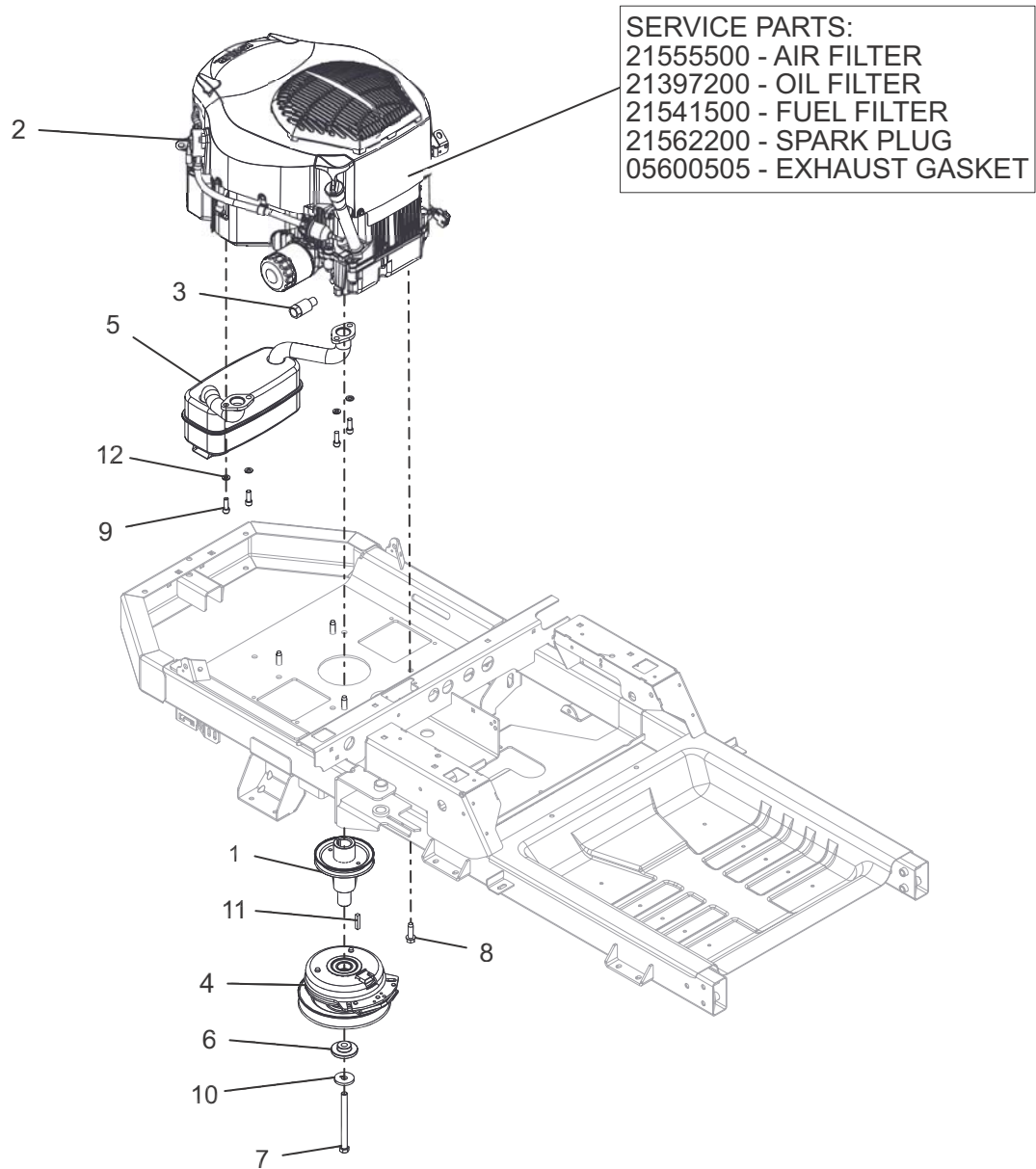
BOM ID	Number	Qty	Description
1	51531600	1	KIT, IKON-X/XL FRAME SERVICE
2	51531300	1	KIT, IKON FOOTREST W/ DECAL
3	00337700	2	HUB CAP
4	04766551	4	PLATE, BEARING SUPPORT
5	04772359	1	PLATE, SEAT
6	04807951	1	HEAT, SHIELD
7	04751523	1	BRKT, HITCH
8	04850000	4	PAD, RBR 1.0"X3.0" W/ADHESIVE
9	04864600	1	PAD, RBR -TANK
10	04751300	1	FLOOR MAT-RUBBER-ARIENS
11	05501230	8	SPCR, SLV .323X.448X1.403
12	06200226	8	BLT-RDHDQSQSHNK .31-18X2.25 YWZC
13	06212100	2	BOLT, CARRIAGE 0.3125-18X1.5 GR5
14	06215700	2	BOLT, CARRIAGE 0.3125-18X0.75 GR5

BOM ID	Number	Qty	Description
15	06223900	4	BOLT, CARRIAGE 0.375-16X0.75 GR5
16	06439100	2	WSHR-FL-STL .328X.87X.179 YWZC
17	06500015	2	NUT, COUPLER 5/16-18 x 1.75
18	06528700	8	NUT, LK-CTR-FLG .31-18 YWZC
19	06542000	4	NUT, LK-TOP-FLG .38-16 YWZC
20	06543100	2	NUT, LK-TOP-FLG .312-18 YWZC
21	07009300	4	NUT, RETAINER .25-20
22	07400034	4	SCR-TAP .25-20X.50 HWH TR YWZ
23	07400111	4	SCR-TAP .25-20X.75 HWH TR YWZ
24	07400120	2	SCR-TAP 10-24X.25 CRSLPH TR YZ
25	07411500	2	SCR-TAP .31-18X.50 HWH TR YWZ
26	07500327	4	BSHG, DECK
27	08300021	2	SPRG, COMPRESSION



# ENGINE – KOHLER 22HP TWIN

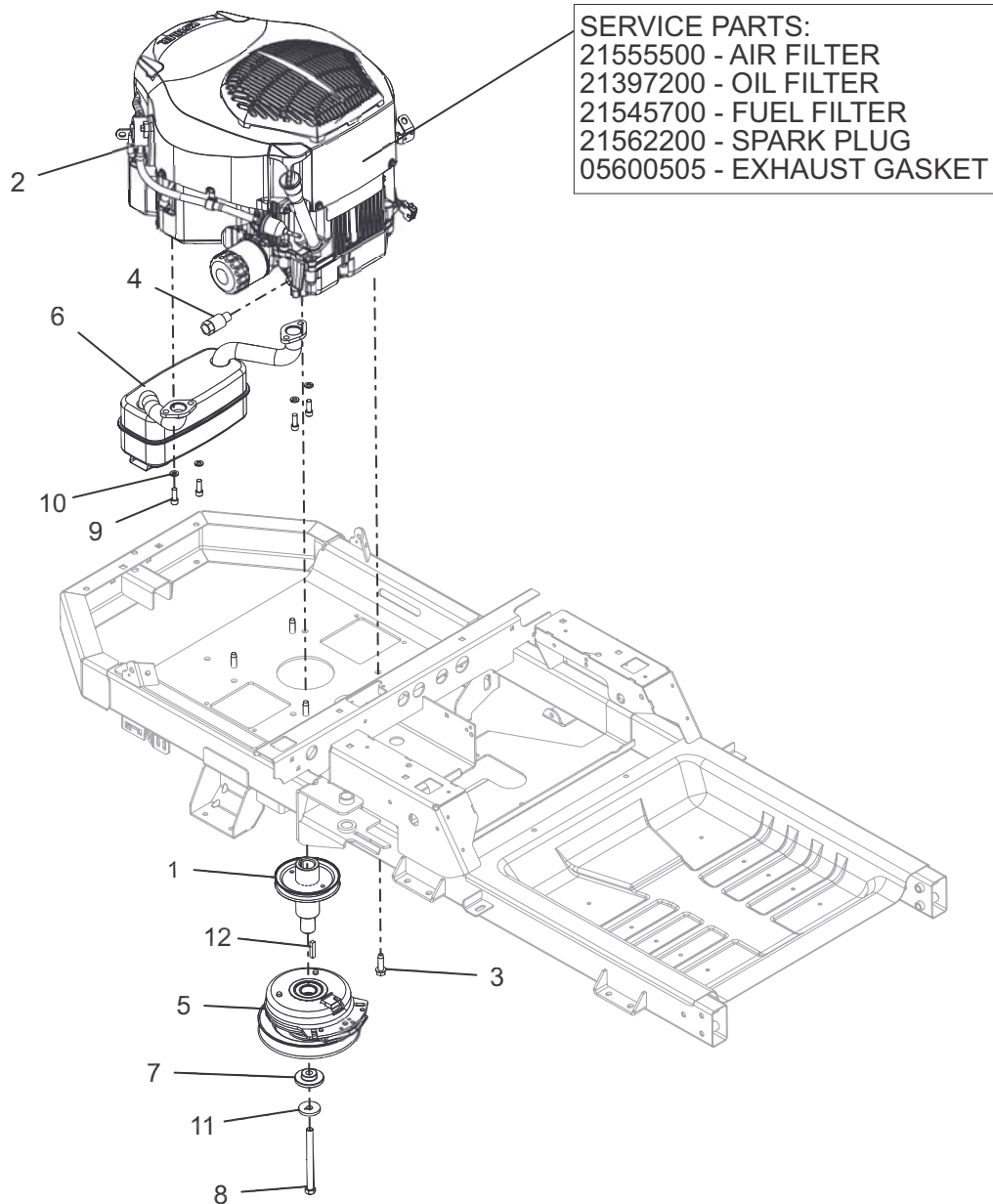
Model 915226



BOM ID	Number	Qty	Description
1	07345000	1	WLDMT, DRIVE SHEAVE (LONG)
2	08201140	1	ENGINE, KOHLER 22HP TWIN
3	03943600	1	DRAIN, OIL
4	04678300	1	CLUTCH, ELEC 105 FT LB MONOPOLE 6.83"
5	05088400	1	MUFFLER, KOHLER
6	05501206	1	BSHG, -FLG .469 x 1.06 x .574 x 2.0
7	05901606	1	BLT-HEX .44-20X5.00 GR8 YWZC NYTORQ
8	07400128	4	SCR-TAP .38-16X1.25 HWH ZCC
9	05901839	4	SCR, SKH .312-18X.875 GR8 ZCC
10	06400936	1	WSHR, 7/16" SPRING DISC
11	06603400	1	KEY-SQ .250X.250X1.250
12	06300119	4	WSHR,LK-REG 0.314 X 0.078 ZCC

# ENGINE – KOHLER 24HP TWIN

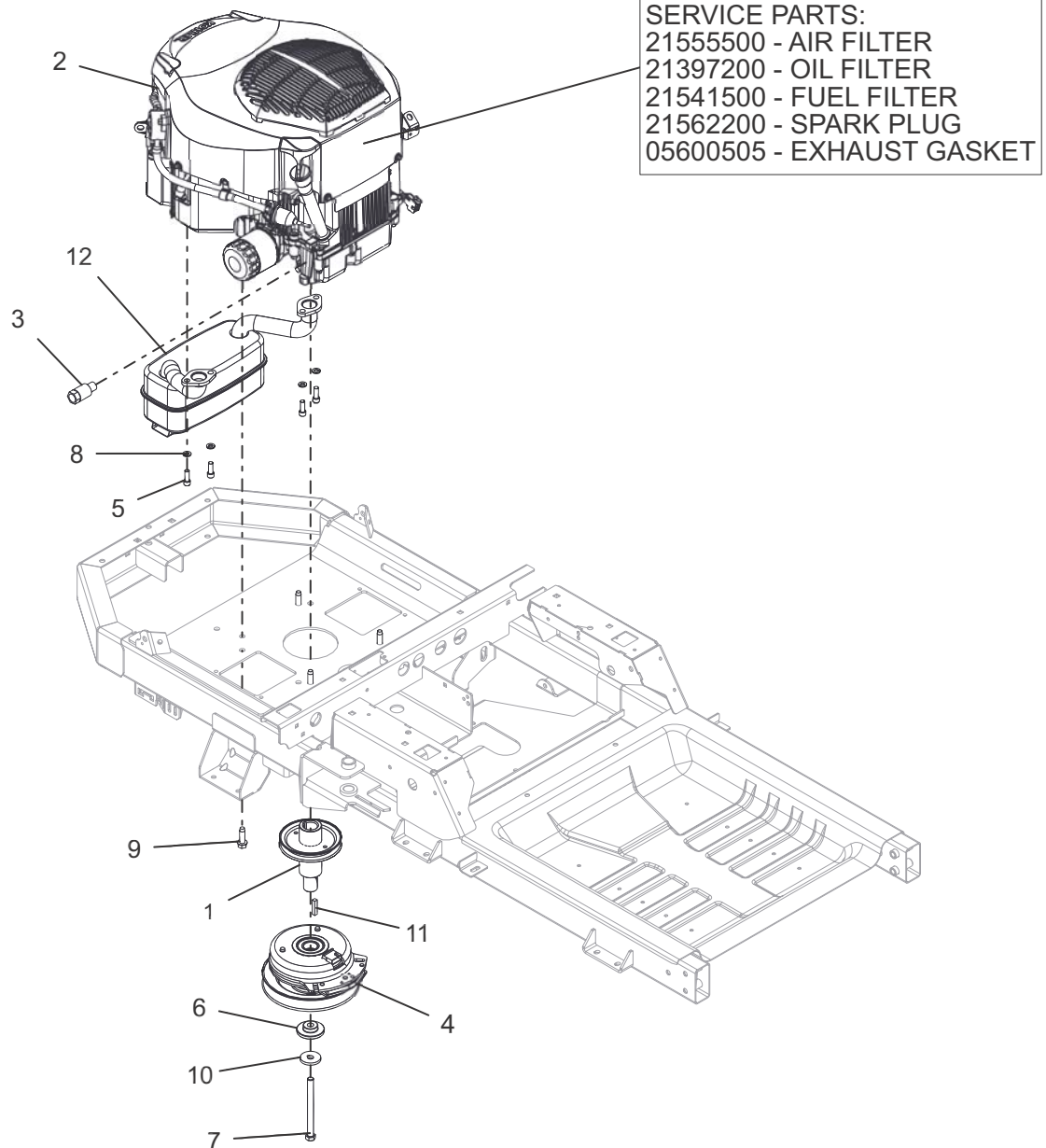
Model 915227



BOM ID	Number	Qty	Description
1	07345000	1	WLDMT, DRIVE SHEAVE (LONG)
2	08201201	1	ENGINE, KOHLER 24HP TWIN
3	07400128	4	SCR-TAP .38-16X1.25 HWH ZCC
4	03943600	1	DRAIN, OIL
5	04678300	1	CLUTCH, ELEC 105 FT LB MONOPOLE 6.83"
6	05088400	1	MUFFLER, KOHLER
7	05501206	1	BSHG, -FLG .469 x 1.06 x .574 x 2.0
8	05901606	1	BLT-HEX .44-20X5.00 GR8 YWZC NYTORQ
9	05901839	4	SCR, SKH .312-18X.875 GR8 ZCC
10	06300119	4	WSHR,LK-REG 0.314 X 0.078 ZCC
11	06400936	1	WSHR, 7/16" SPRING DISC
12	06603400	1	KEY-SQ .250X.250X1.250

# ENGINE – KOHLER 25HP TWIN

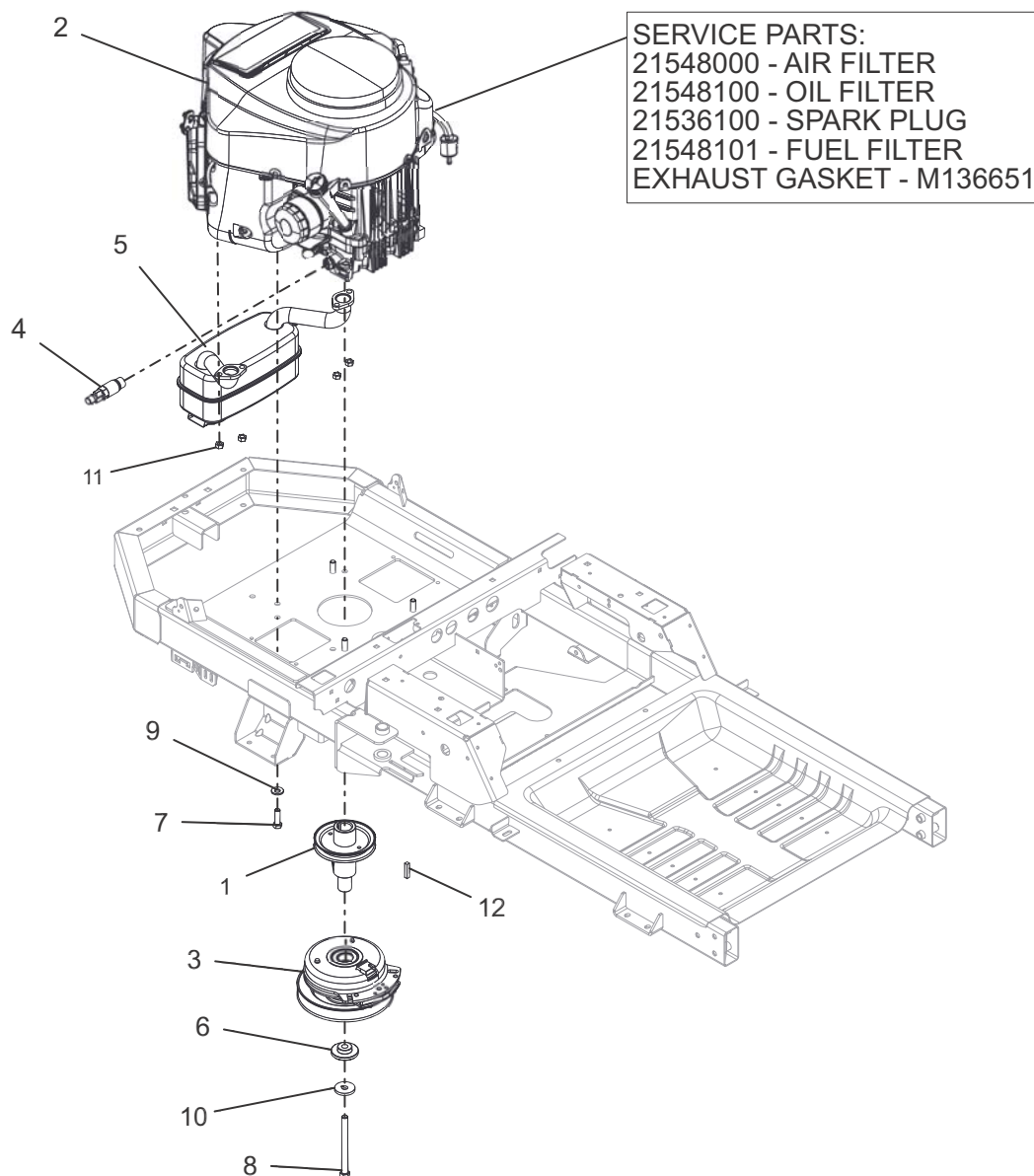
Model 915228



BOM ID	Number	Qty	Description
1	07345000	1	WLDMT, DRIVE SHEAVE (LONG)
2	08201211	1	ENGINE, KOHLER TWIN 25HP
3	03943600	1	DRAIN, OIL
4	04678300	1	CLUTCH, ELEC 105 FT LB MONOPOLE 6.83"
5	05901839	4	SCR, SKH .312-18X.875 GR8 ZCC
6	05501206	1	BSHG, -FLG .469 x 1.06 x .574 x 2.0
7	05901606	1	BLT-HEX .44-20X5.00 GR8 YWZC NYTORQ
8	06300119	4	WSHR,LK-REG 0.314 X 0.078 ZCC
9	07400128	4	SCR-TAP .38-16X1.25 HWH ZCC
10	06400936	1	WSHR, 7/16" SPRING DISC
11	06603400	1	KEY-SQ .250X.250X1.250
12	05088400	1	MUFFLER, KOHLER

# ENGINE – KAWASAKI FR730

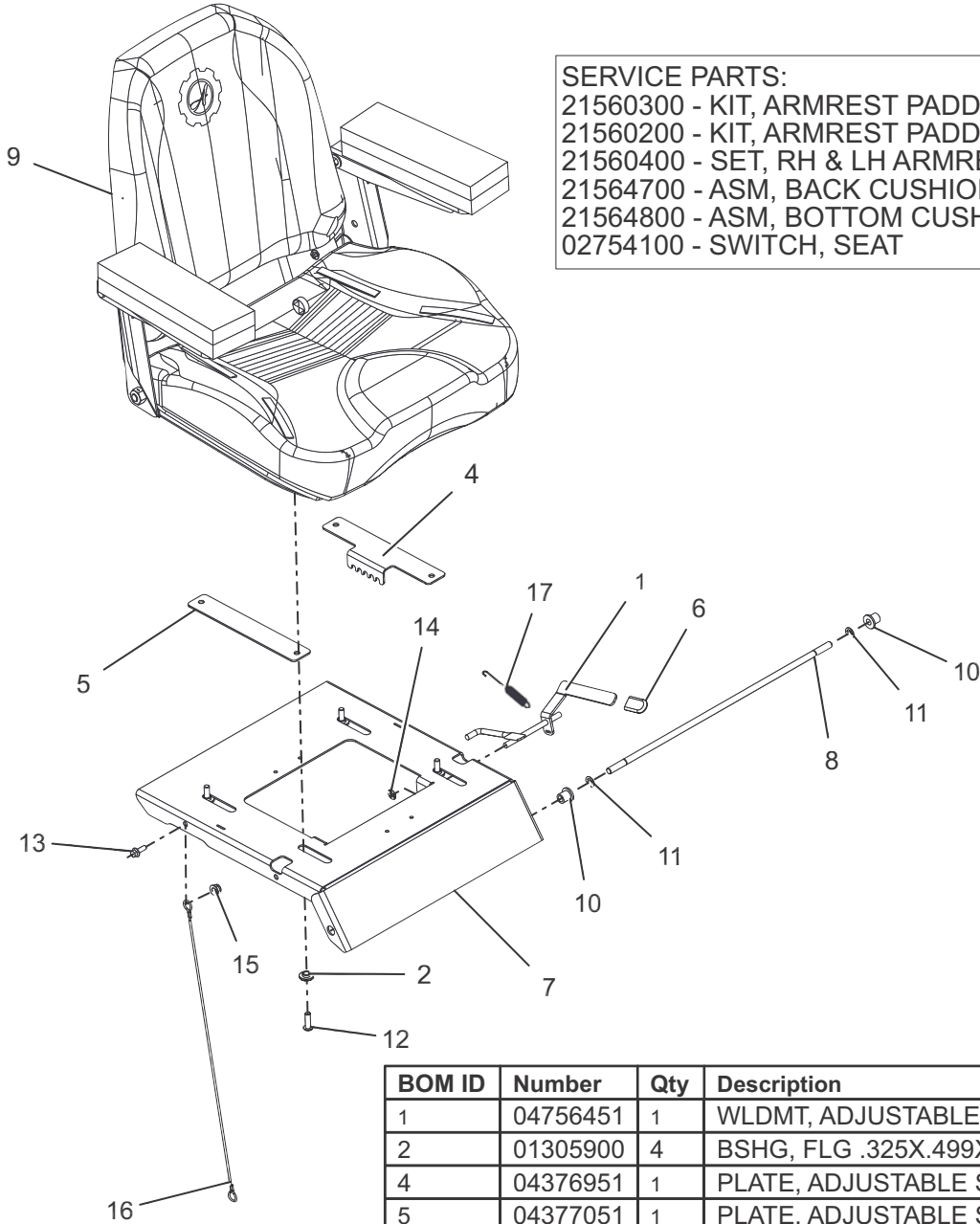
Model 915229



BOM ID	Number	Qty	Description
1	07345000	1	WLDMT, DRIVE SHEAVE (LONG)
2	08201129	1	ENGINE, KAWASAKI FR730 24HP
3	04678300	1	CLUTCH, ELEC 105 FT LB MONOPOLE 6.83"
4	04977100	1	VALVE, DRAIN -M20X2.5
5	05083300	1	MUFFLER, KAWASAKI
6	05501206	1	BSHG, -FLG .469 x 1.06 x .574 x 2.0
7	05901522	4	BOLT, HEX 0.375-16X1.25 GR5
8	05901606	1	BLT-HEX .44-20X5.00 GR8 YWZC NYTORQ
9	06400927	4	WSHR, 3/8" SPRING DISC
10	06400936	1	WSHR, 7/16" SPRING DISC
11	06500018	4	NUT-LK-TOP M8-1.25 YWZC
12	06603400	1	KEY-SQ .250X.250X1.250

# SEAT

Models All

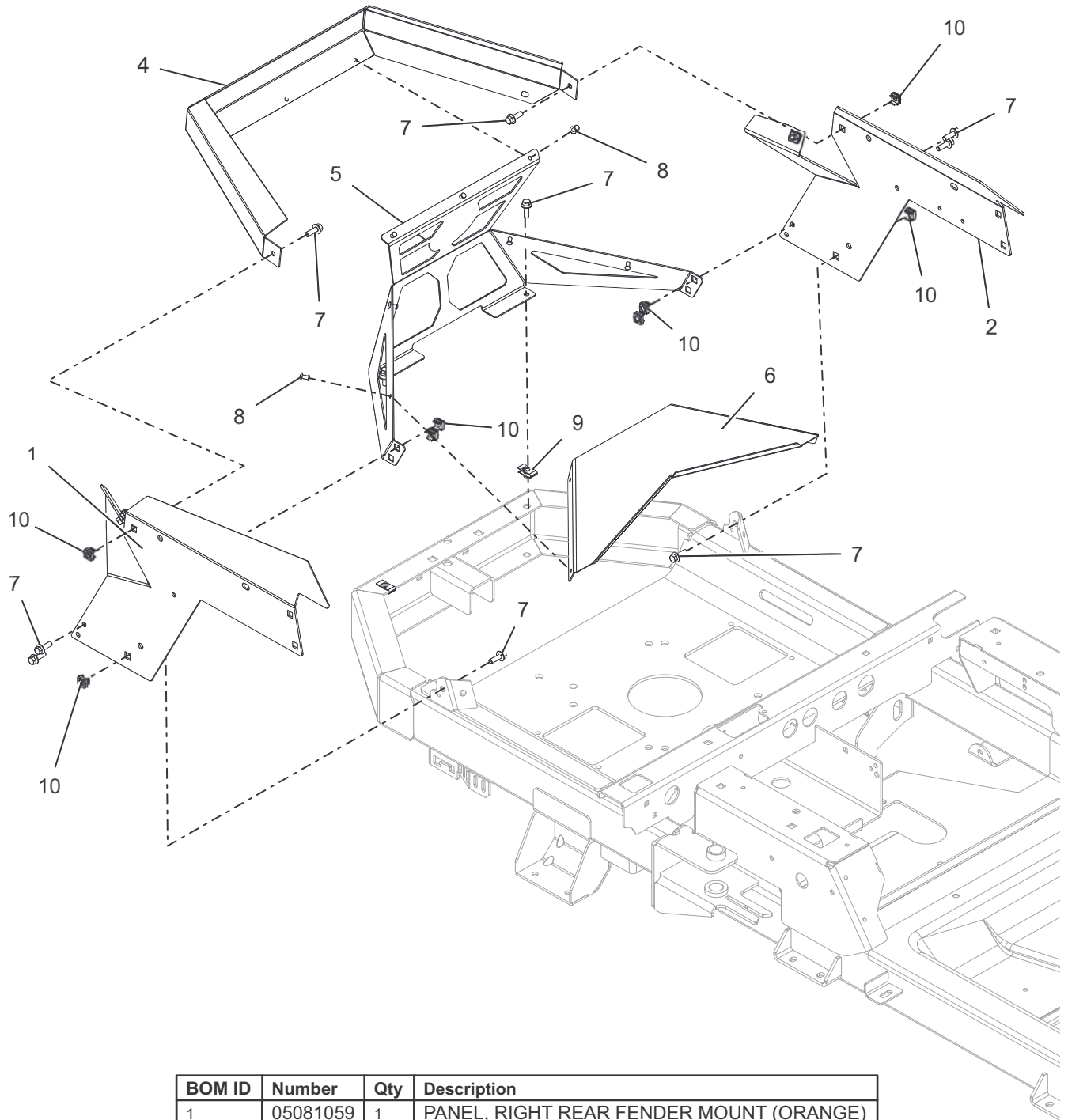


SERVICE PARTS:  
 21560300 - KIT, ARMREST PADDED LH W/HDWR  
 21560200 - KIT, ARMREST PADDED RH W/HDWR  
 21560400 - SET, RH & LH ARMREST  
 21564700 - ASM, BACK CUSHION  
 21564800 - ASM, BOTTOM CUSHION  
 02754100 - SWITCH, SEAT

BOM ID	Number	Qty	Description
1	04756451	1	WLDMT, ADJUSTABLE SEAT LATCH
2	01305900	4	BSHG, FLG .325X.499X.26X.88
4	04376951	1	PLATE, ADJUSTABLE SEAT TRACK
5	04377051	1	PLATE, ADJUSTABLE SEAT SLIDE
6	04396600	1	GRIP, SEAT LEVER
7	04757059	1	PLATE, SEAT
8	04816200	1	ROD, SEAT PIVOT
9	05092400	1	SEAT, IKON XL
10	05501231	2	BSHG, FLANGE .380 X .580 X .667 X .875
11	05710600	2	RING, RETAINING-E .375X.035
12	05901508	4	SCR-SKH .31-18X1.00 BTNHD YWZC
13	05901731	1	BLT, HEX-FLG 0.25-20X0.75 GR5 ZB500
14	06514900	1	NUT, PUSH .312
15	06545400	1	NUT-LK-NYL-FLG .31-18 YWZC
16	06900623	1	CABLE, WIRE (LANYARD)-.093X19.5
17	08321100	1	SPRG, EXTENSION

# BUMPER

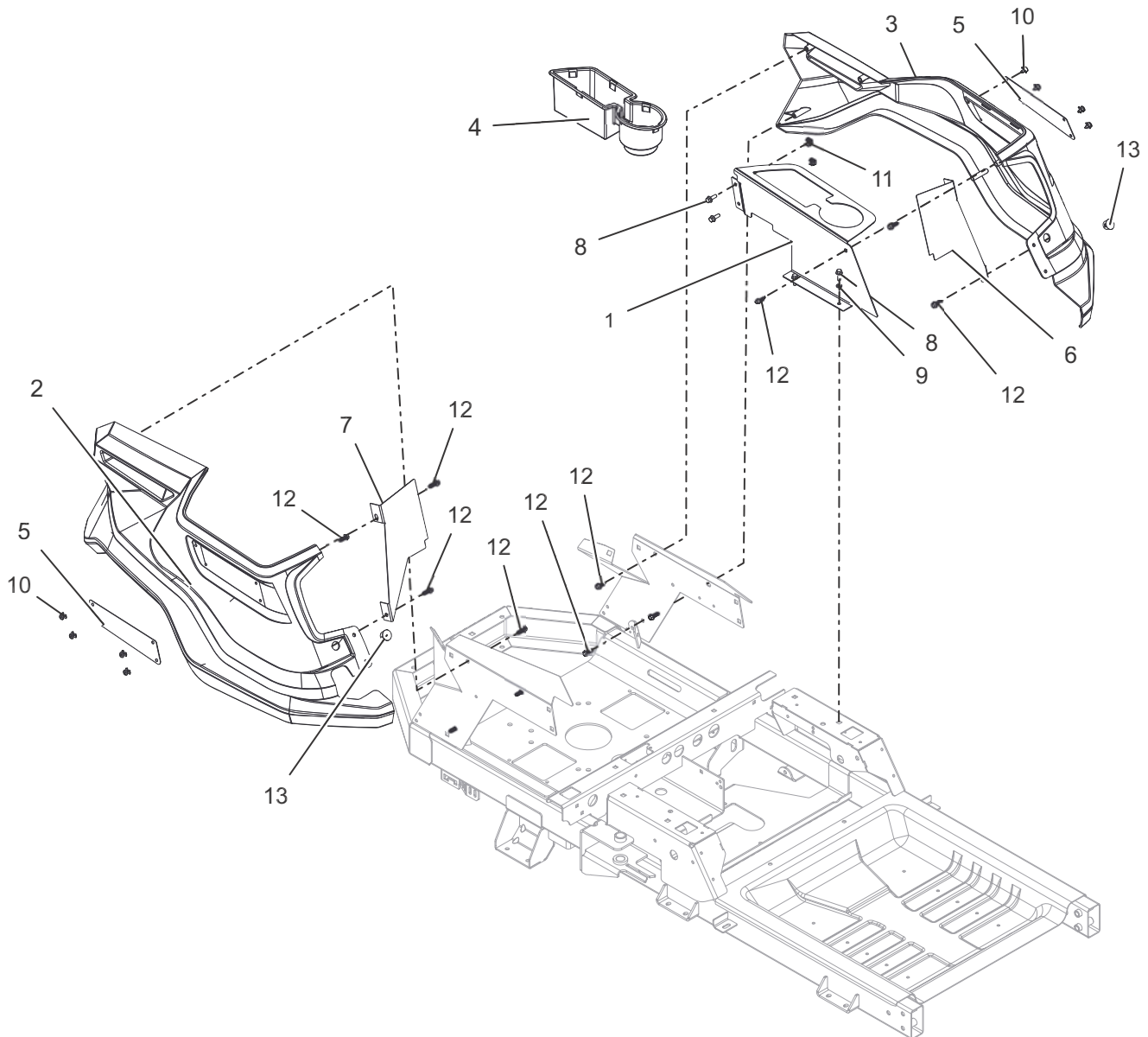
Models All



BOM ID	Number	Qty	Description
1	05081059	1	PANEL, RIGHT REAR FENDER MOUNT (ORANGE)
2	05081159	1	PANEL, LEFT FENDER MOUNT (ORANGE)
4	05081259	1	GUARD, ENGINE WRAP (ORANGE)
5	05081351	1	GUARD, ENGINE (BLACK)
6	05127051	1	BAFFLE,
7	05901731	12	BLT, HEX-FLG 0.25-20X0.75 GR5 ZB500
8	06800107	7	RVT-POP .187x.375 (#66) BLACK
9	07009000	2	NUT, RTNR .25-20 X .56
10	07009300	10	NUT, RETAINER .25-20

# FENDERS

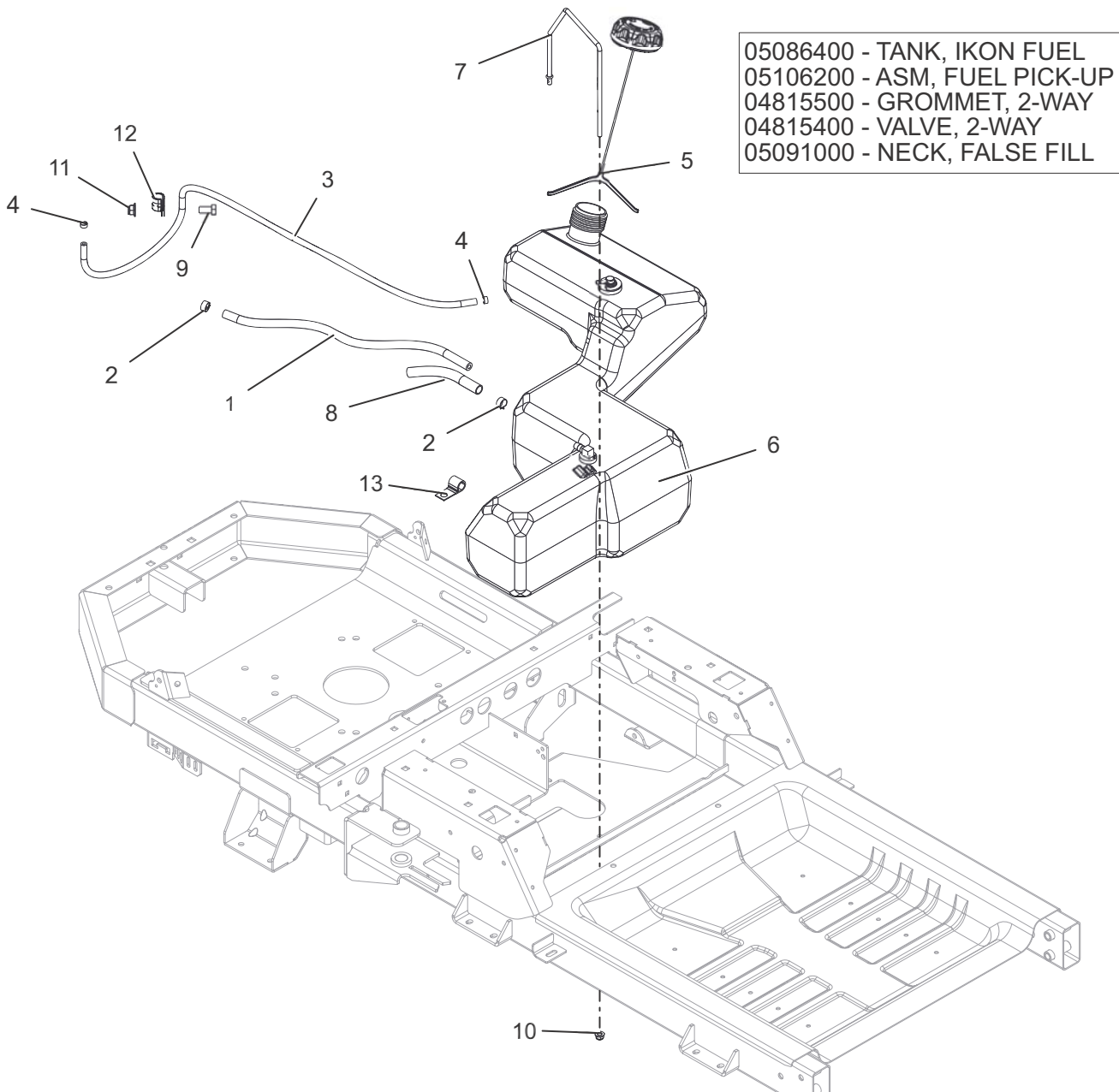
Models All



BOM ID	Number	Qty	Description
1	05080959	1	PANEL, RIGHT SIDE FENDER MOUNT (ORANGE)
2	05089900	1	FENDER, RH IKON 2017
3	05090000	1	FENDER, LH IKON
4	05091800	1	INSERT, CUP/STORAGE HOLDER
5	05097359	2	PLATE, ARIENS NAME
6	05110900	1	PLATE, LH BLOCKER
7	05115751	1	PLATE, RH BLOCKER
8	05901731	4	BLT, HEX-FLG 0.25-20X0.75 GR5 ZB500
9	06308400	2	WSHR-LK .25X.062 REG YWZC
10	06830000	8	RVT-POP .195 PLASTIC
11	07009300	2	NUT, RETAINER .25-20
12	07400119	12	SCR-HEX .312-14X.75 H/L
13	07500402	2	PLUG, HOLE .750-BLACK

# FUEL SYSTEM

Models All



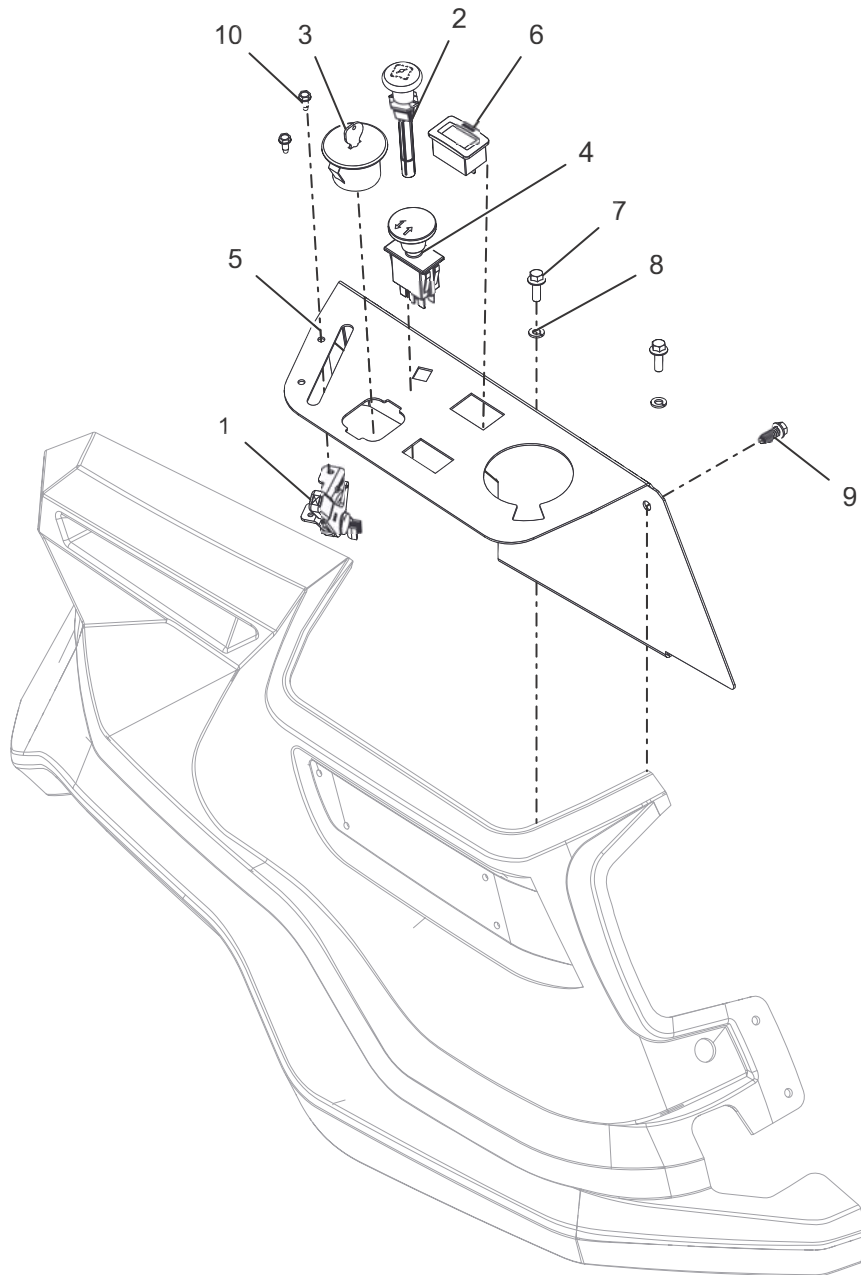
05086400 - TANK, IKON FUEL  
 05106200 - ASM, FUEL PICK-UP  
 04815500 - GROMMET, 2-WAY  
 04815400 - VALVE, 2-WAY  
 05091000 - NECK, FALSE FILL

BOM ID	Number	Qty	Description
1	03278100	1	.25 LOW PERM FUEL X 22.0 LG - FUEL PICK-UP TO ENGINE
2	03278800	2	CLAMP, FUEL LINE
3	03375900	1	.188 ID LOW-PERM X 39.0 LG - TANK VENT TO ENGINE
4	04097700	2	CLAMP - HOSE, SPRING .188
5	04589200	1	CAP, FUEL VENT-IN 2.25" RATCHET
6	05086600	1	ASM, FUEL TANK IKON
7	05099867	1	BRKT, FUEL
8	05118500	1	SLEEVE, ANTI ABRASION .5" X .064" WALL
9	05959400	1	BOLT, HEX 0.375-16X0.75 GR5
10	06500012	1	NUT-LK-NYL-FLG .25-20 YWZC
11	06545500	1	NUT-LK-NYL-FLG .38-16 YWZC
12	06908200	1	CLAMP, CUSHIONED STEEL
13	06916000	1	J-CLAMP



# CONTROL PANEL

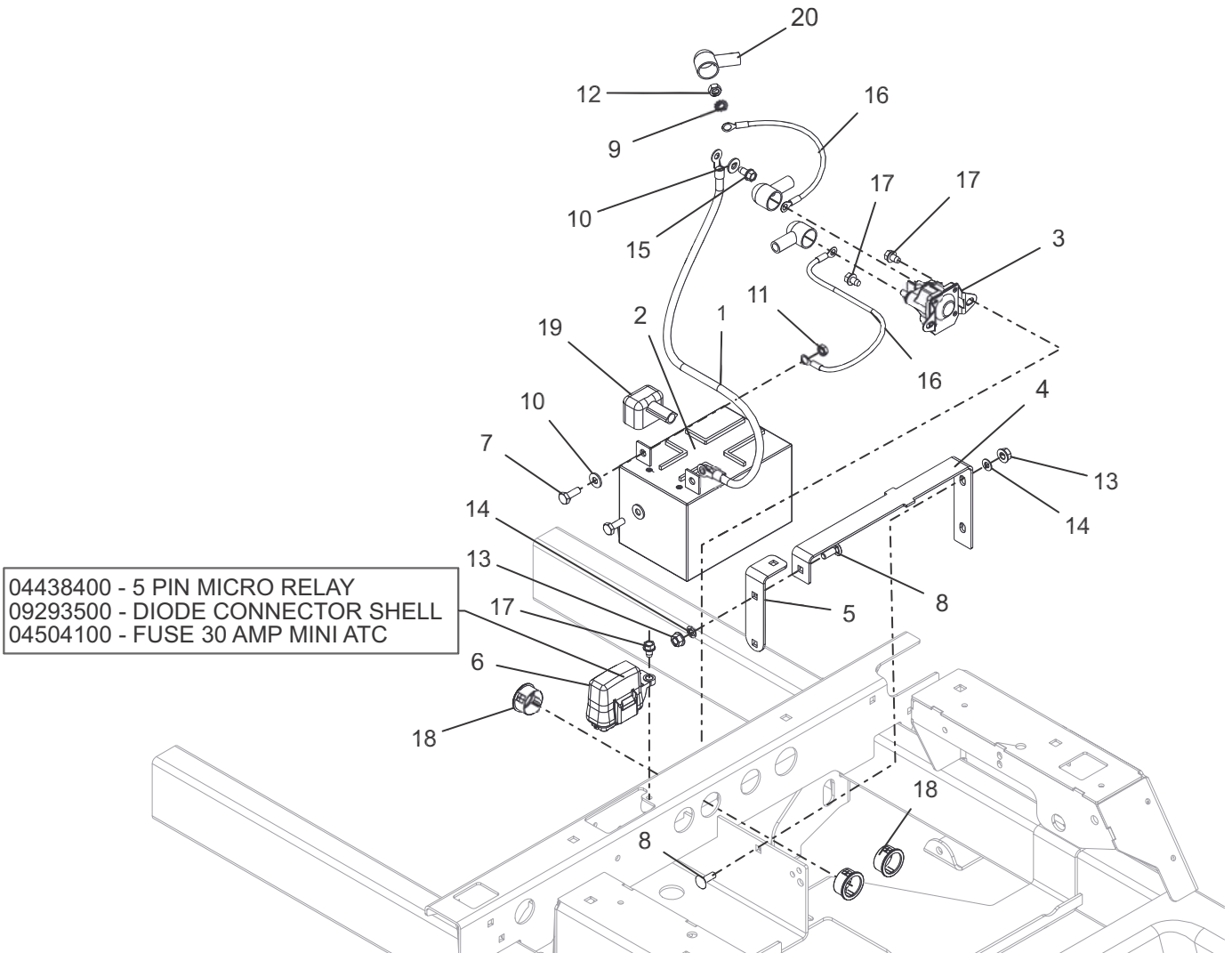
Models All



BOM ID	Number	Qty	Description
1	06900620	1	CABLE, THROTTLE 90DEG 33"
2	06900621	1	CABLE, CHOKE
3	03290500	1	KEY, SWITCH
4	04399600	1	SWITCH, CLUTCH YELLOW(W/GRAPHIC)
5	05080859	1	PANEL, RIGHT SIDE FENDER MOUNT (ORANGE)
6	05084300	1	HOUR, METER - MINI, NO BUTTON
7	05901731	2	BLT, HEX-FLG 0.25-20X0.75 GR5 ZB500
8	06308400	2	WSHR-LK .25X.062 REG YWZC
9	07400119	1	SCR-HEX .312-14X.75 H/L
10	07415800	2	SCR-TAP 10-24X.50 HWH TR YWZC

# ELECTRICAL

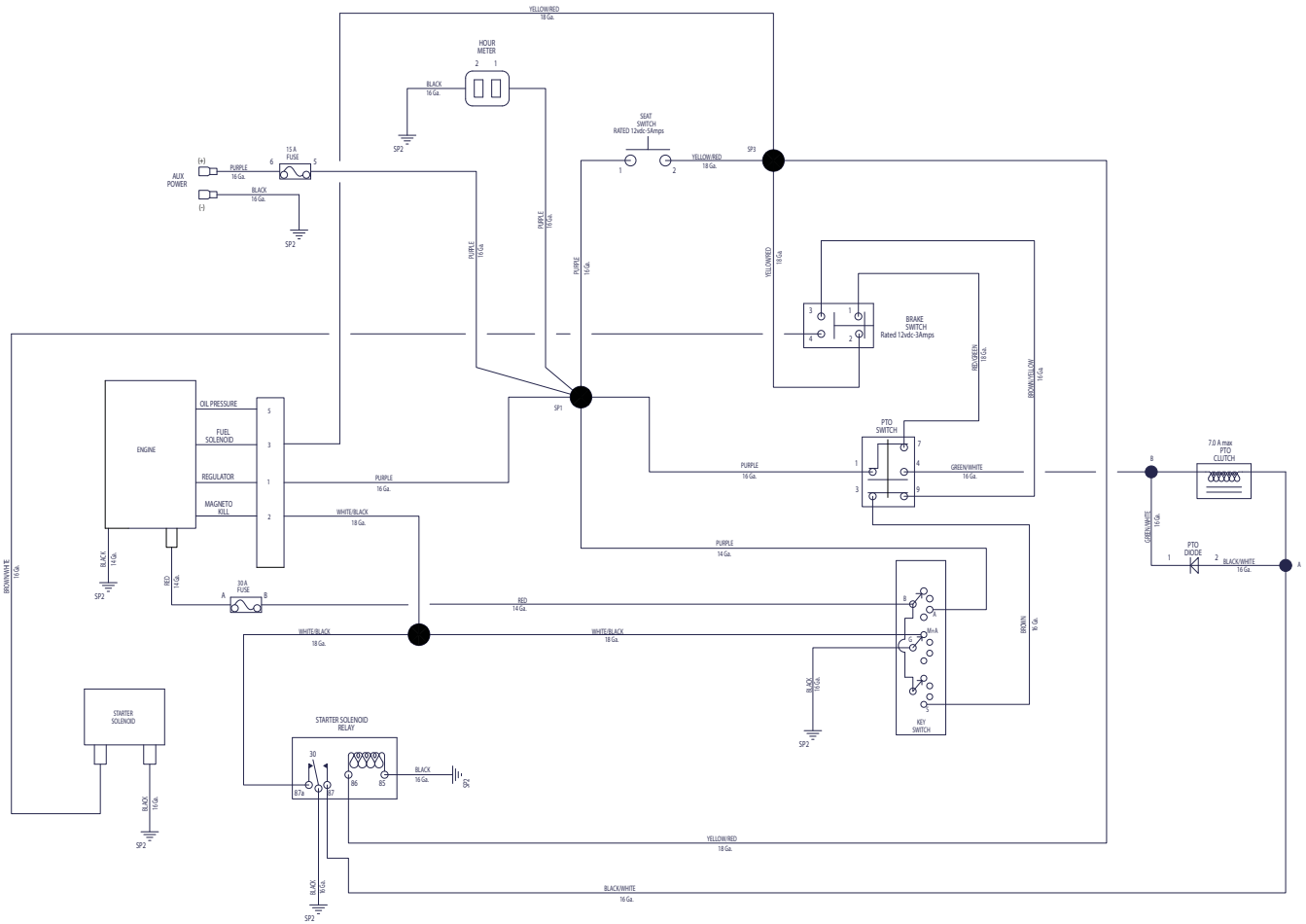
## Models All



BOM ID	Number	Qty	Description
1	03288100	1	CABLE, NEGATIVE BATTERY 24"
2	04738800	1	BATTERY, 12V 12A -190CCA
3	04781700	1	SOLENOID, STARTER (SEALED)
4	04794651	1	BRKT, BATTERY
5	04833651	1	BRKT, BATTERY
6	04974400	1	HARNESS, WIRE
7	05946800	2	BOLT, HEX 0.25-20X0.75 GR5
8	06219900	2	BOLT, CARRIAGE 0.25-20X0.75 GR5
9	06306800	1	WSHR-LK-EXT.262X.502X.026 YWZC
10	06437300	3	WSHR-FL-STL.281X.62X.065 YWZC
11	06500704	2	NUT-KEPS 10-24
12	06533200	1	NUT-HEX .25-20 YWZC
13	06543500	2	NUT, LK-TOP-FLG .25-20 YWZC
14	07027600	2	NUT, PUSH .25X.50 O.D.
15	07400034	1	SCR-TAP .25-20X.50 HWH TR YWZ
16	04787400	2	CABLE, POS BAT 15.00"
17	07411600	3	SCR-TAP .25-20X.37 HWH YWZ TR
18	07500308	3	BSHG, PANEL SNAP .937X1.109X.56
19	07505700	1	INSULATOR
20	07533200	3	BOOT, EYELET TERMINAL

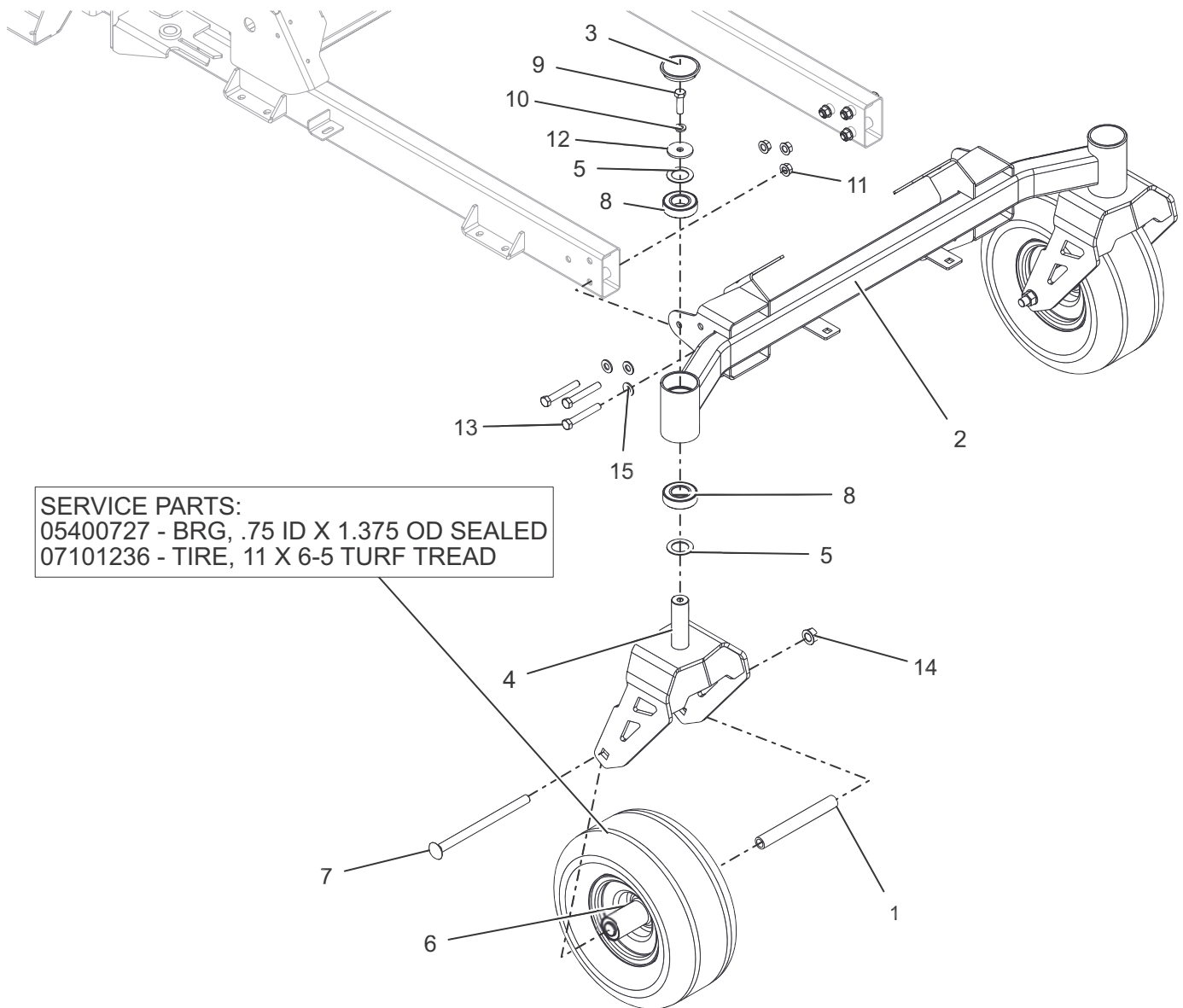
# WIRING DIAGRAM

Models All



# FRONT CASTER WHEELS

Models All

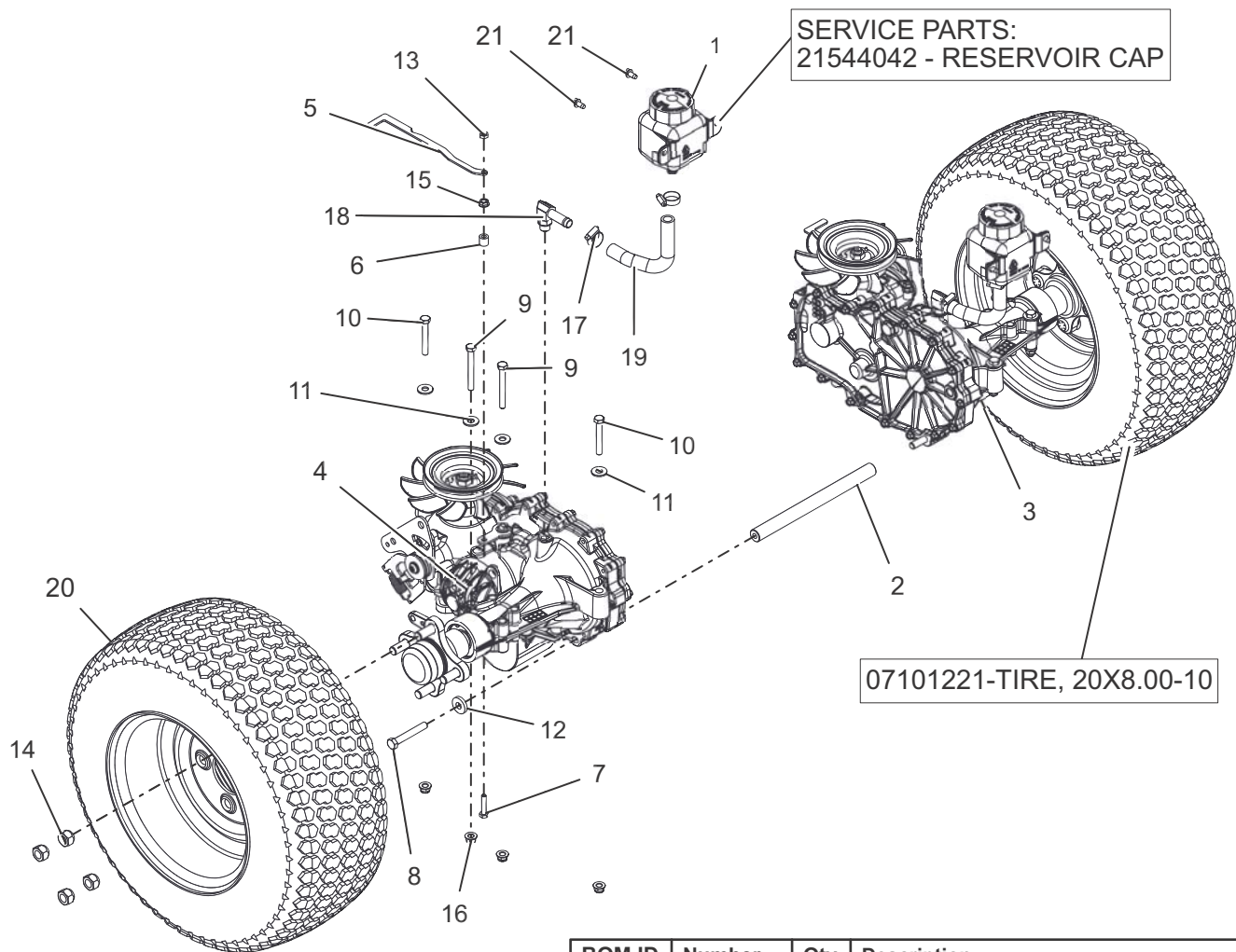


SERVICE PARTS:  
 05400727 - BRG, .75 ID X 1.375 OD SEALED  
 07101236 - TIRE, 11 X 6-5 TURF TREAD

BOM ID	Number	Qty	Description
1	00853400	2	SPCR, FRONT WHEEL (WIDE)
2	04968659	1	WLDMT, AXLE FRONT
3	04792200	2	CAP, DUST
4	04873059	2	WLDMT, CASTER FORK-XL (ORANGE)
5	06416600	4	WSHR, HRD THRS 1.007X1.542X.062
6	07101105	2	TIRE/WHEEL, 11X6-5
7	06200228	2	BOLT, CARRIAGE 0.5-13X7.5 GR5
8	05400722	4	BRG-BALL 1.00X2.00X.56
9	05958000	2	BOLT, HEX 0.375-16X1.25 GR5
10	06308800	2	WSHR-LK .38X.094 REG YWZC
11	06500736	6	NUT, LK-TOP-FLG .38-16 GRG YWZC
12	06443400	2	WSHR-FL-STL .380X1.50X.125 YWZC
13	05901601	6	BOLT, HEX 0.375-16X2.5 GR8
14	06543600	2	NUT, LK-TOP-FLG .50-13 YWZC
15	06439900	6	WSHR-HDND .406X.812X.075

# REAR TIRES AND TRANSAXLES – 42"

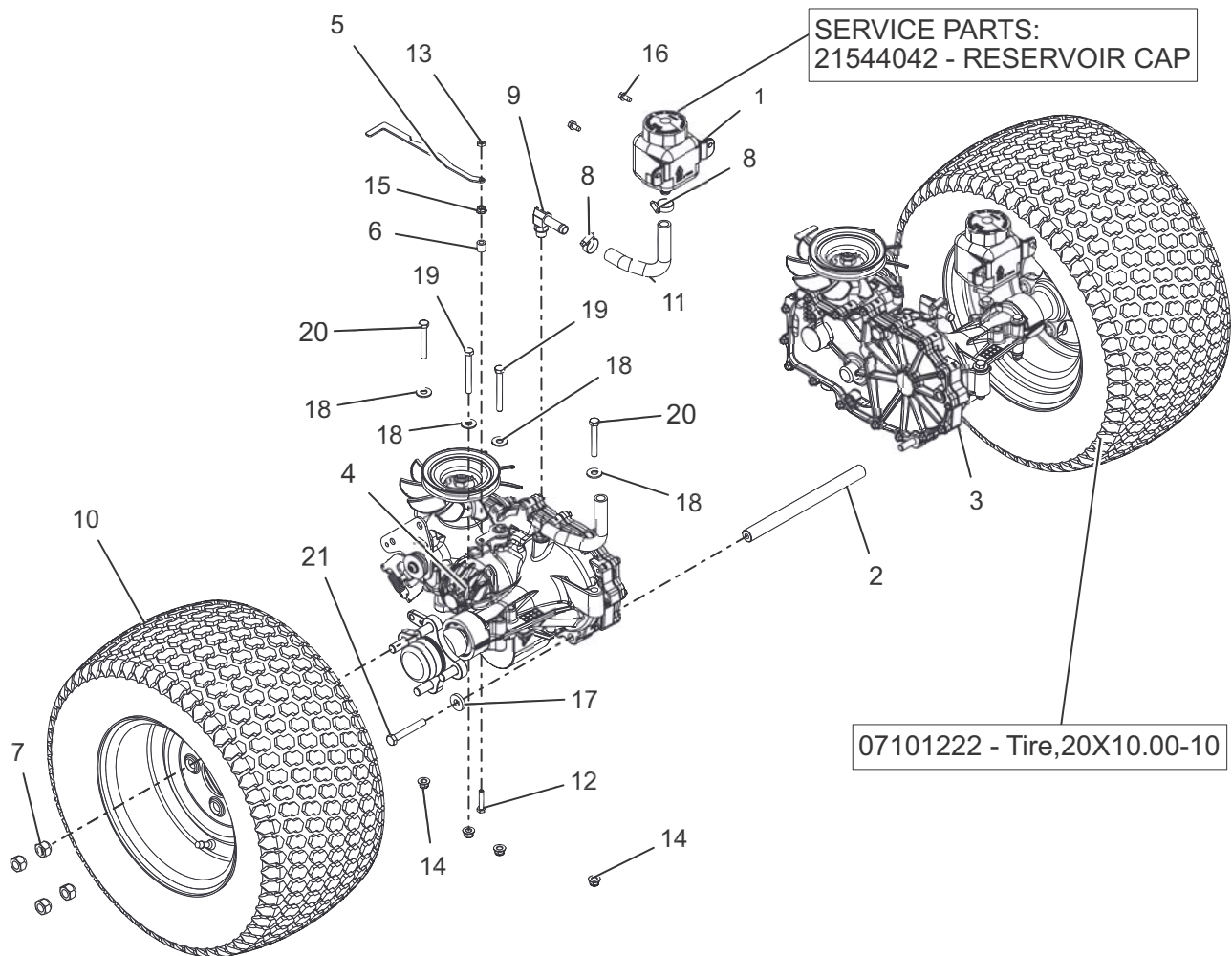
Model 915226



BOM ID	Number	Qty	Description
1	02970200	2	TANK, EXPANSION ZT2800
2	04875000	1	ROD, TRANSAXLE
3	04879900	1	TRANSAXLE, ZT2800 - LH
4	04880100	1	TRANSAXLE, ZT2800 - RH
5	04884151	2	BRKT, VALVE
6	05501112	2	BSHG, SLV .265X.500X.500
7	05947400	2	BOLT, HEX 0.25-20X1.25 GR5
8	05958400	2	BOLT, HEX 0.375-16X2.5 GR5
9	05960600	4	BOLT, HEX 0.313-18X2.75 GR5
10	05963700	4	BOLT, HEX 0.313-18X2.25 GR5
11	06435700	8	WSHR-FL-STL.38X.875X.083 YWZC
12	06444000	2	WSHR-FL-STL .406X1.00X.188 YWZC
13	06500635	2	NUT-LK-CTR-JAM .25-20 YWZC
14	06517600	8	NUT, LUG .500-13
15	06530100	2	@NUT-SPNLK-FLG .25-20 YWZC
16	06545400	8	NUT-LK-NYL-FLG .31-18 YWZC
17	06923500	4	CLAMP, .88 DIA HOSE
18	07001528	2	FITTING, HYD (90 DEG)
19	07001735	2	HOSE,
20	07101122	2	ASSM TIREWHEEL, ASM
21	07400034	4	SCR-TAP .25-20X.50 HWH TR YWZ

# REAR TIRES AND TRANSAXLES – 52"

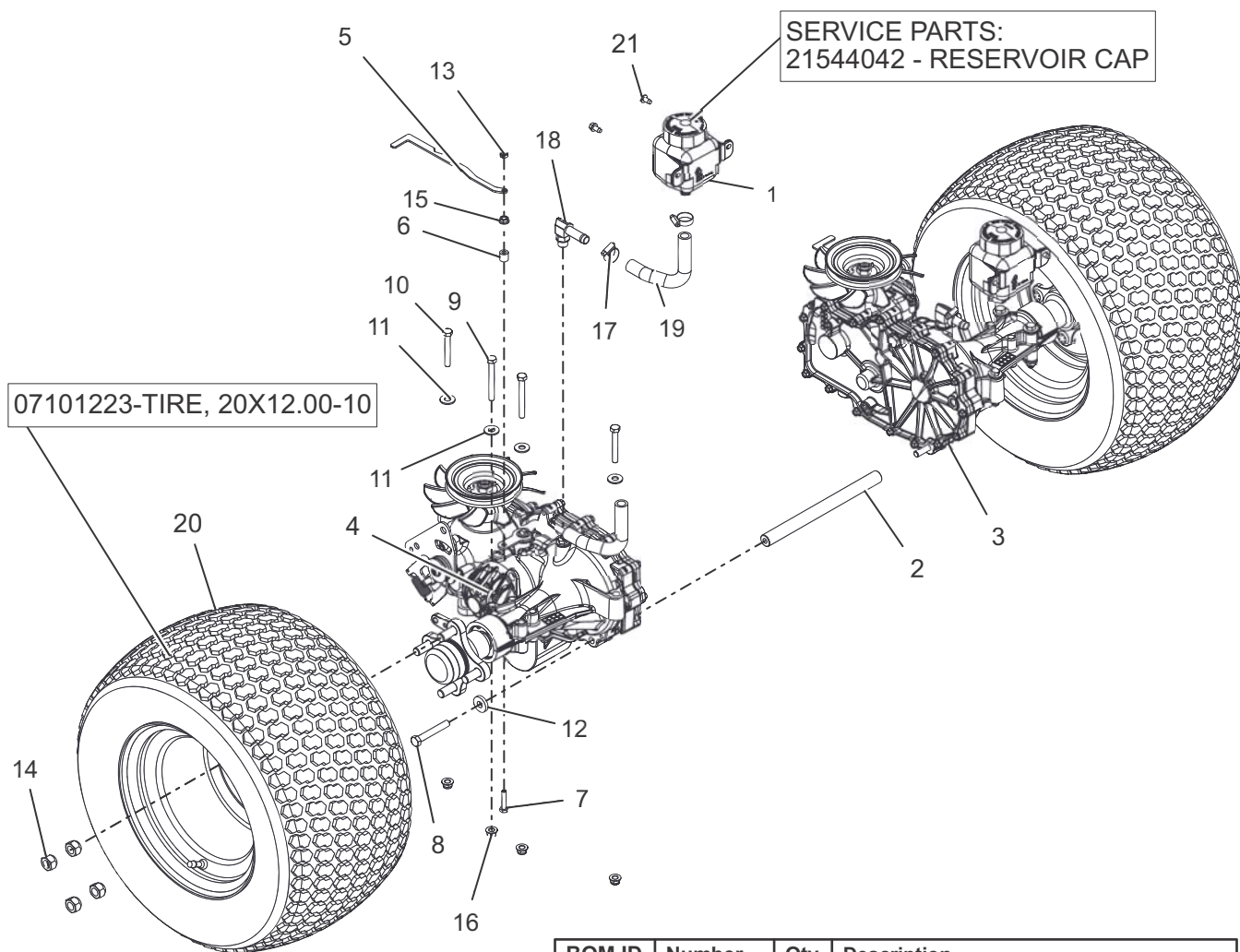
Model 915227



BOM ID	Number	Qty	Description
1	02970200	2	TANK, EXPANSION ZT2800
2	04875000	1	ROD, TRANSAXLE
3	04879900	1	TRANSAXLE, ZT2800 - LH
4	04880100	1	TRANSAXLE, ZT2800 - RH
5	04884151	2	BRKT, VALVE
6	05501112	2	BSHG, SLV .265X.500X.500
7	06517600	8	NUT, LUG .500-13
8	06923500	4	CLAMP, .88 DIA HOSE
9	07001528	2	FITTING, HYD (90 DEG)
10	07101203	2	ASSM TIREWHEEL,
11	07001735	2	HOSE,
12	05947400	2	BOLT, HEX 0.25-20X1.25 GR5
13	06500635	2	NUT-LK-CTR-JAM .25-20 YWZC
14	06545400	8	NUT-LK-NYL-FLG .31-18 YWZC
15	06530100	2	@NUT-SPNLK-FLG .25-20 YWZC
16	07400034	4	SCR-TAP .25-20X.50 HWH TR YWZ
17	06444000	2	WSHR-FL-STL .406X1.00X.188 YWZC
18	06435700	8	WSHR-FL-STL.38X.875X.083 YWZC
19	05960600	4	BOLT, HEX 0.313-18X2.75 GR5
20	05963700	4	BOLT, HEX 0.313-18X2.25 GR5
21	05958400	2	BOLT, HEX 0.375-16X2.5 GR5

# REAR TIRES AND TRANSAXLES – 60"

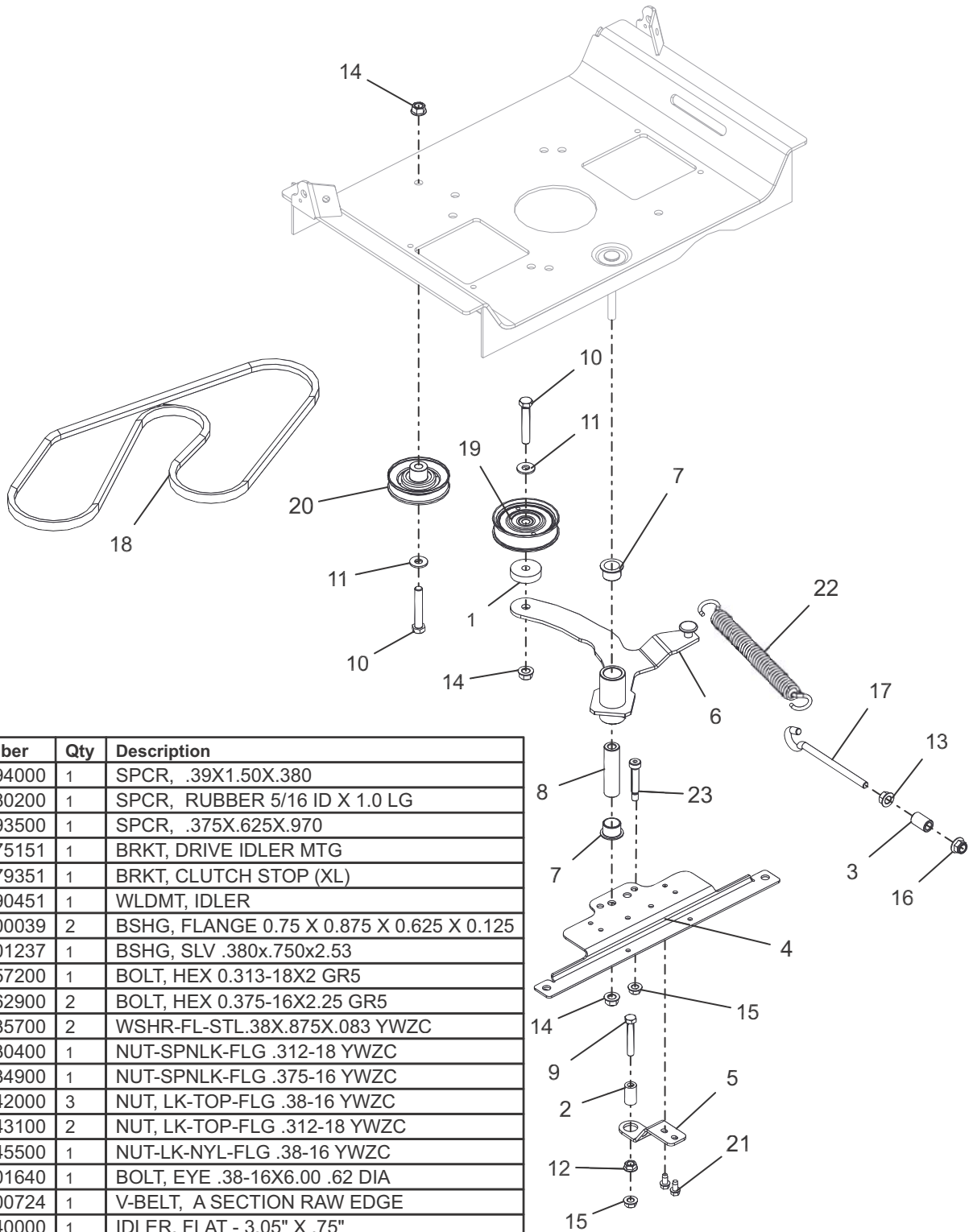
Models 915228, 229



BOM ID	Number	Qty	Description
1	02970200	2	TANK, EXPANSION ZT2800
2	04875000	1	ROD, TRANSAXLE
3	04879900	1	TRANSAXLE, ZT2800 - LH
4	04880100	1	TRANSAXLE, ZT2800 - RH
5	04884151	2	BRKT, VALVE
6	05501112	2	BSHG, SLV .265X.500X.500
7	05947400	2	BOLT, HEX 0.25-20X1.25 GR5
8	05958400	2	BOLT, HEX 0.375-16X2.5 GR5
9	05960600	4	BOLT, HEX 0.313-18X2.75 GR5
10	05963700	4	BOLT, HEX 0.313-18X2.25 GR5
11	06435700	8	WSHR-FL-STL .38X.875X.083 YWZC
12	06444000	2	WSHR-FL-STL .406X1.00X.188 YWZC
13	06500635	2	NUT-LK-CTR-JAM .25-20 YWZC
14	06517600	8	NUT, LUG .500-13
15	06530100	2	@NUT-SPNLK-FLG .25-20 YWZC
16	06545400	8	NUT-LK-NYL-FLG .31-18 YWZC
17	06923500	4	CLAMP, .88 DIA HOSE
18	07001528	2	FITTING, HYD (90 DEG)
19	07001735	2	HOSE,
20	07101122	2	ASSM TIREWHEEL,
21	07400034	4	SCR-TAP .25-20X.50 HWH TR YWZ

# TRANSAXLE DRIVE

Models All

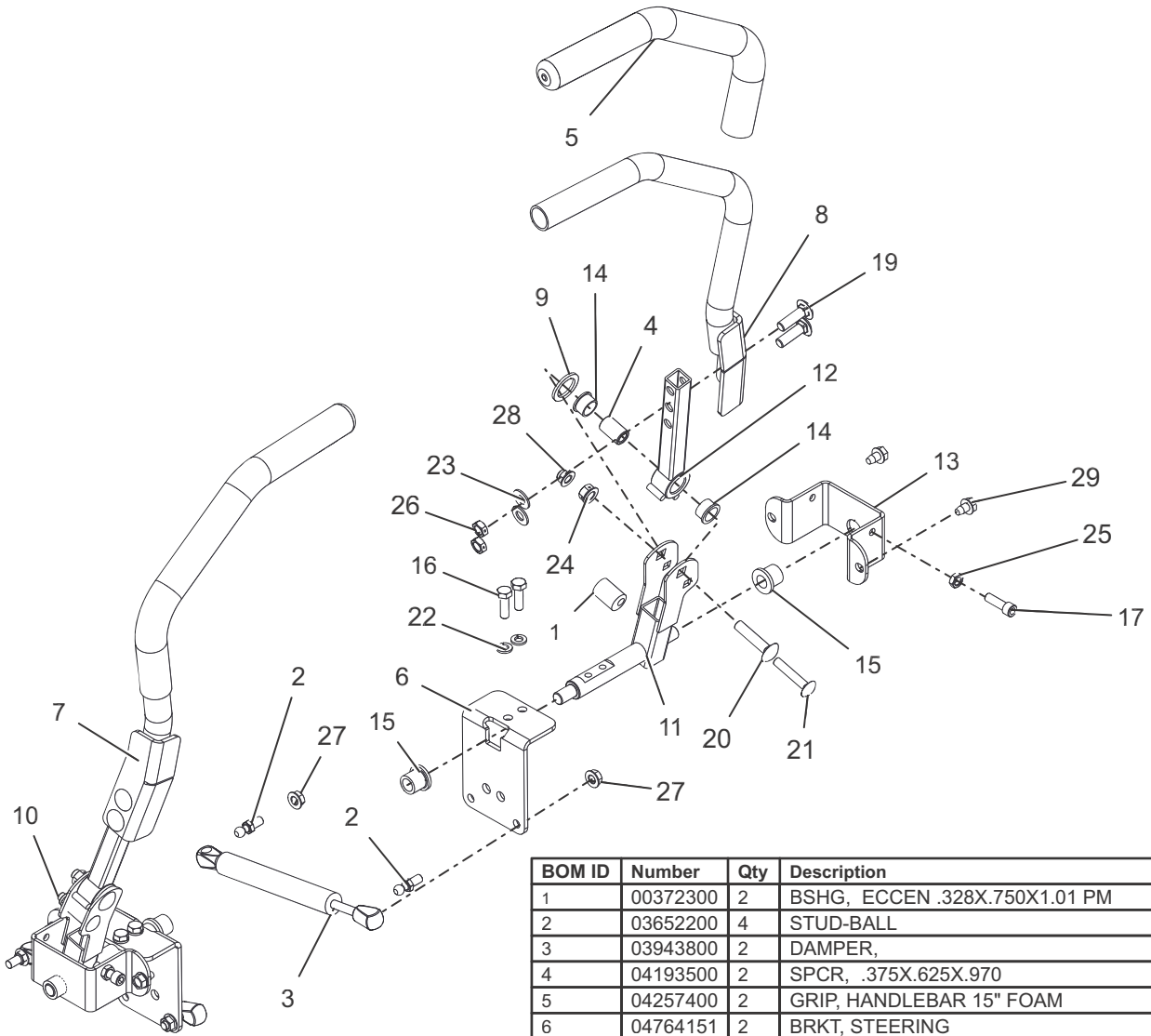


BOM ID	Number	Qty	Description
1	01594000	1	SPCR, .39X1.50X.380
2	03980200	1	SPCR, RUBBER 5/16 ID X 1.0 LG
3	04193500	1	SPCR, .375X.625X.970
4	04875151	1	BRKT, DRIVE IDLER MTG
5	04879351	1	BRKT, CLUTCH STOP (XL)
6	04890451	1	WLDMT, IDLER
7	05500039	2	BSHG, FLANGE 0.75 X 0.875 X 0.625 X 0.125
8	05501237	1	BSHG, SLV .380x.750x2.53
9	05957200	1	BOLT, HEX 0.313-18X2 GR5
10	05962900	2	BOLT, HEX 0.375-16X2.25 GR5
11	06435700	2	WSHR-FL-STL.38X.875X.083 YWZC
12	06530400	1	NUT-SPNLK-FLG .312-18 YWZC
13	06534900	1	NUT-SPNLK-FLG .375-16 YWZC
14	06542000	3	NUT, LK-TOP-FLG .38-16 YWZC
15	06543100	2	NUT, LK-TOP-FLG .312-18 YWZC
16	06545500	1	NUT-LK-NYL-FLG .38-16 YWZC
17	07001640	1	BOLT, EYE .38-16X6.00 .62 DIA
18	07200724	1	V-BELT, A SECTION RAW EDGE
19	07340000	1	IDLER, FLAT - 3.05" X .75"
20	07347200	1	ASM, 3.00" V IDLER
21	07400034	2	SCR-TAP .25-20X.50 HWH TR YWZ
22	08300507	1	SPRG, EXTENSION - SWIVEL
23	07070118	1	BLT-SHLDR .375X1.50X.31-18



# CONTROLS

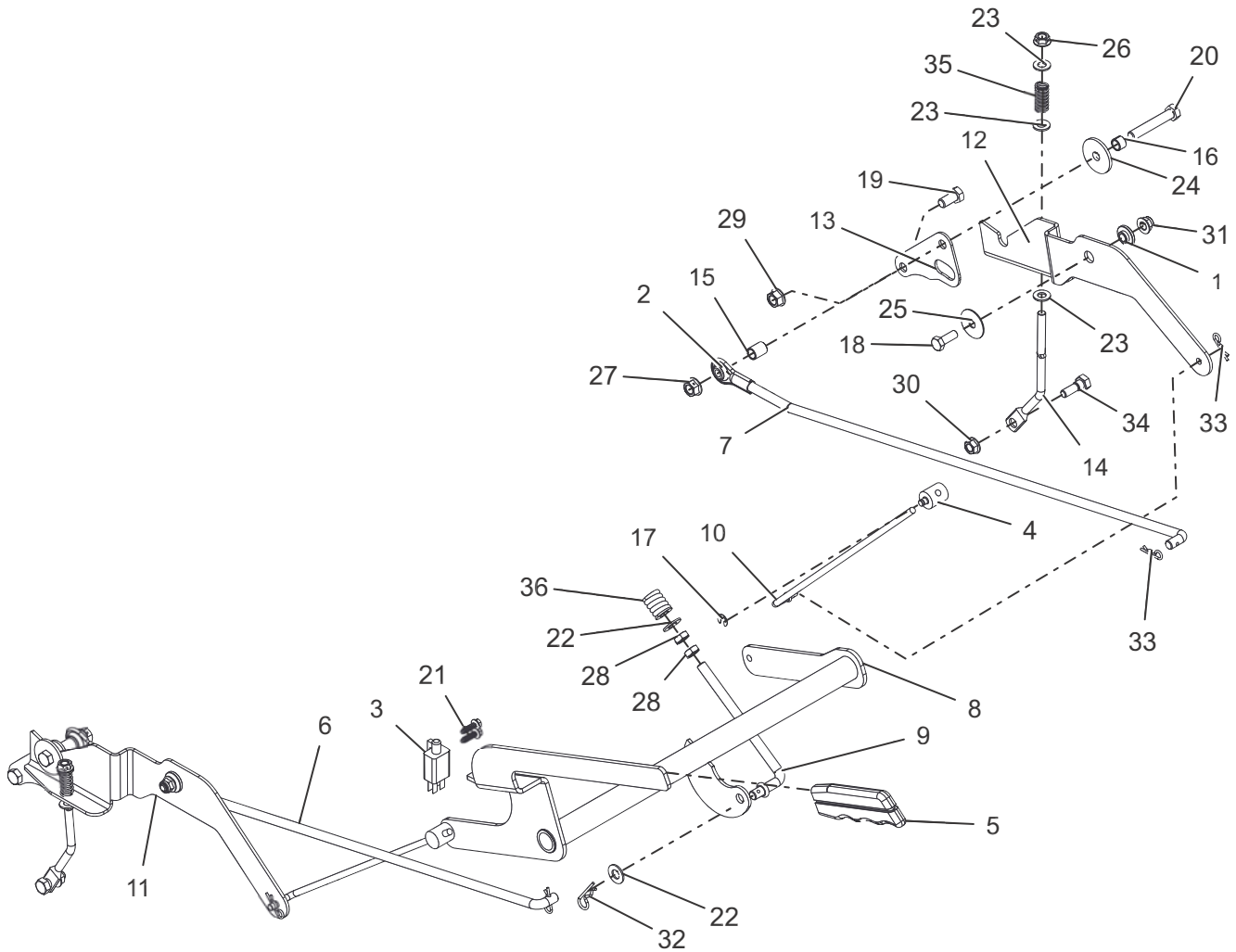
## Models All



BOM ID	Number	Qty	Description
1	00372300	2	BSHG, ECCEN .328X.750X1.01 PM
2	03652200	4	STUD-BALL
3	03943800	2	DAMPER,
4	04193500	2	SPCR, .375X.625X.970
5	04257400	2	GRIP, HANDLEBAR 15" FOAM
6	04764151	2	BRKT, STEERING
7	04796051	1	WLDMT, STEERING HANDLE RH
8	04796151	1	WLDMT, STEERING HANDLE LH
9	04832600	2	WSHR, FRICTION .875X1.25X.10
10	04959051	1	WLDMT, LOWER STEERING ARM - RIGHT
11	04959151	1	WLDMT, LOWER STEERING ARM-LEFT
12	04959251	2	WLDMT, UPPER CONTROL ARM (BLACK)
13	04990951	2	BRKT, STEERING PIVOT
14	05501017	4	BSHG, .625X.75X.450X.875
15	05521100	4	BSHG, FLANGE .515 X .750 X .745 X 1.00 NYLON
16	05901311	4	BOLT, HEX 0.313-18X1 GR8
17	05901733	2	SCR, SKH .312-18X1.00 GR8 ZC120
19	06200220	4	BTL,RHSSN .375-16 X 1.25 G5 RIE5230
20	06200221	2	BTL,RHSSN .375-16 X 1.75 G5 RIE5230
21	06200222	2	BTL,RHSSN .313-18 X 1.75 G5 RIE5230
22	06308600	4	WSHR-LK .31X.078 REG YWZC
23	06436200	4	WSHR-FL-STL.406X.812X.065 YWZ
24	06534800	2	NUT, LK-CTR-FLG .38-16 YWZC
25	06536100	2	NUT, JAM .312-18 YWZC
26	06537200	4	NUT-LK-CTR-JAM .375-16 YWZC
27	06543100	4	NUT, LK-TOP-FLG .312-18 YWZC
28	06545400	2	NUT-LK-NYL-FLG .31-18 YWZC
29	07411500	4	SCR-TAP .31-18X.50 HWH TR YWZ

# PARKING BRAKE

Models All

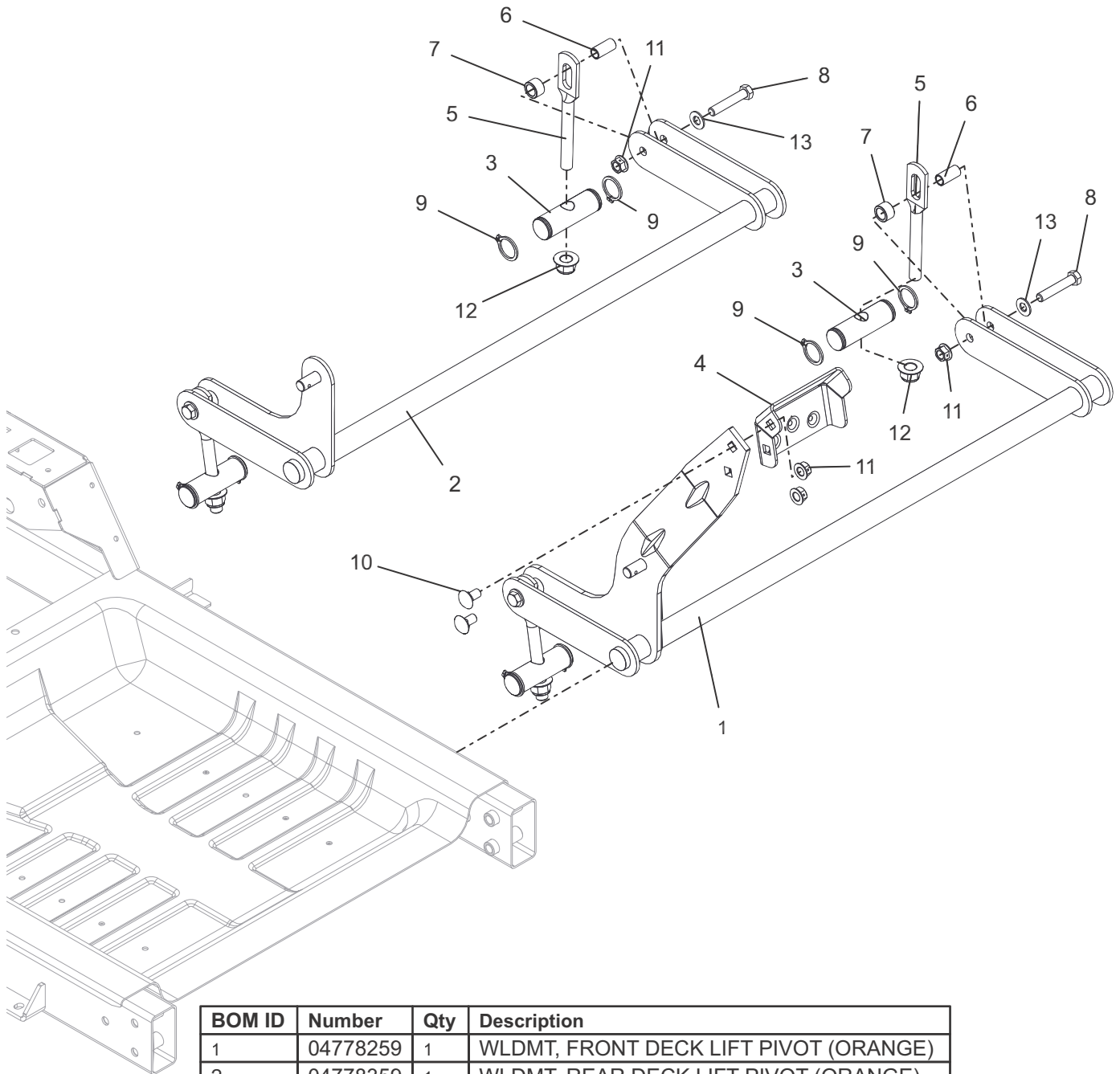


BOM ID	Number	Qty	Description
1	01305900	2	BSHG, FLG .325X.499X.26X.88
2	03563100	2	ROD END, .38 RH
3	03606600	1	SWITCH- DOUBLE POLE N.O./N.O.
4	03764800	2	TRUNION, 1/4-20
5	03826900	1	GRIP, PARKING BRAKE (YELLOW)
6	04778700	1	LINK, RH
7	04778800	1	ROD, STEERING
8	04787851	1	WLDMT, BRAKE
9	04787900	1	LINK, OVER
10	04788000	2	LINK, BRAKE
11	04788100	1	INTERLOCK, RH
12	04788100	1	INTERLOCK, LH
13	04799351	2	PLATE, TRANSAXLE
14	04790600	2	LINK, BRAKE
15	05501226	2	SPCR, .385X.500X.652
16	05501235	2	SPCR, .385X.500X.350
17	05700125	2	RING, RETAINING-E .25X.025
18	05947800	2	BOLT, HEX 0.313-18X0.875 GR5
19	05959400	2	BOLT, HEX 0.375-16X0.75 GR5

BOM ID	Number	Qty	Description
20	05962900	2	BOLT, HEX 0.375-16X2.25 GR5
21	06100216	2	SCR-TAP #12X.75 BOSS INDHXHD
22	06436200	2	WSHR-FL-STL.406X.812X.065 YWZ
23	06437200	6	WSHR-FL-STL.344X.688X.065YWZC
24	06443400	2	WSHR-FL-STL .380X1.50X.125 YWZC
25	06446900	2	WSHR-FL-STL .347X1.254X.048 YWZC
26	06528700	2	NUT, LK-CTR-FLG .31-18 YWZC
27	06534800	2	NUT, LK-CTR-FLG .38-16 YWZC
28	06535900	2	NUT, JAM .375-16 YWZC
29	06542000	2	NUT, LK-TOP-FLG .38-16 YWZC
30	06543100	2	NUT, LK-TOP-FLG .312-18 YWZC
31	06545400	2	NUT-LK-NYL-FLG .31-18 YWZC
32	06700002	1	PIN, HAIR .09 X 1.50 YWZC
33	06713500	4	PIN, HAIR INT .08X.18X1.18 YWZC
34	07001734	2	BLT, SHLDR .38X.25 -.31-18X.75THD
35	08300028	2	SPRG, COMPRESSION
36	08320900	1	SPRG, COMPRESSION

# DECK LIFT

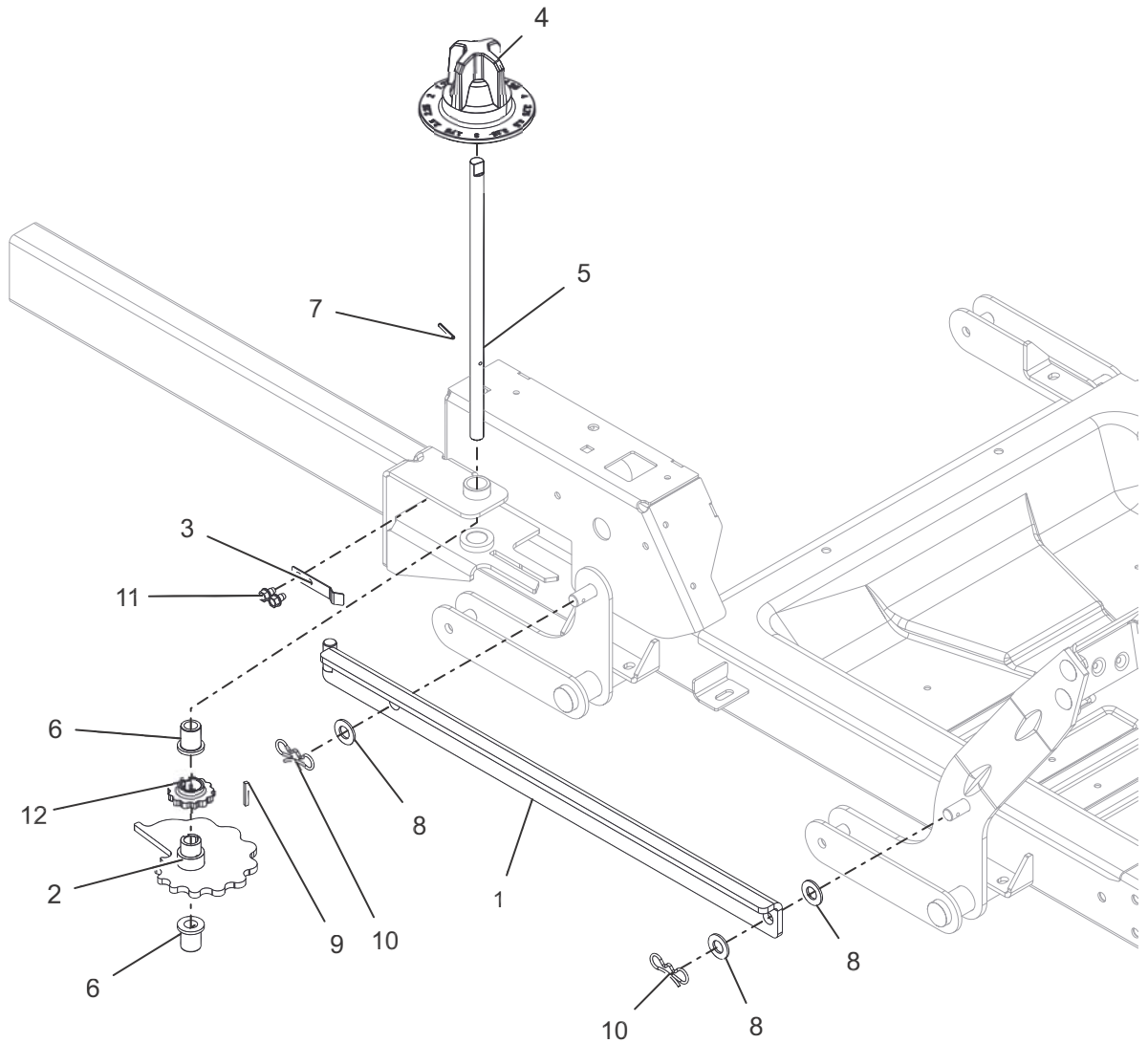
Models All



BOM ID	Number	Qty	Description
1	04778259	1	WLDMT, FRONT DECK LIFT PIVOT (ORANGE)
2	04778359	1	WLDMT, REAR DECK LIFT PIVOT (ORANGE)
3	04795500	4	SHAFT, DECK
4	04869259	1	PEDAL, DECK LIFT (BOLT ON) (ORANGE)
5	04878200	4	LINK, DECK (LONG)
6	05500106	4	BSHG, SLV .385 X .500 X 1.045
7	05500107	4	BSHG, SLV .510 X .751 X .475
8	05963100	4	BOLT, HEX 0.375-16X2 GR8
9	05707300	8	RG-RTNG-EXT 1.00X.078
10	06200225	2	BTL,RHSN .375-16 X 0.75 G5 FPB
11	06534800	6	NUT, LK-CTR-FLG .38-16 YWZC
12	06500010	4	NUT-LK-NYL-FLG .50-13 YWZC
13	06436200	4	WSHR-FL-STL.406X.812X.065 YWZ

# HEIGHT OF CUT

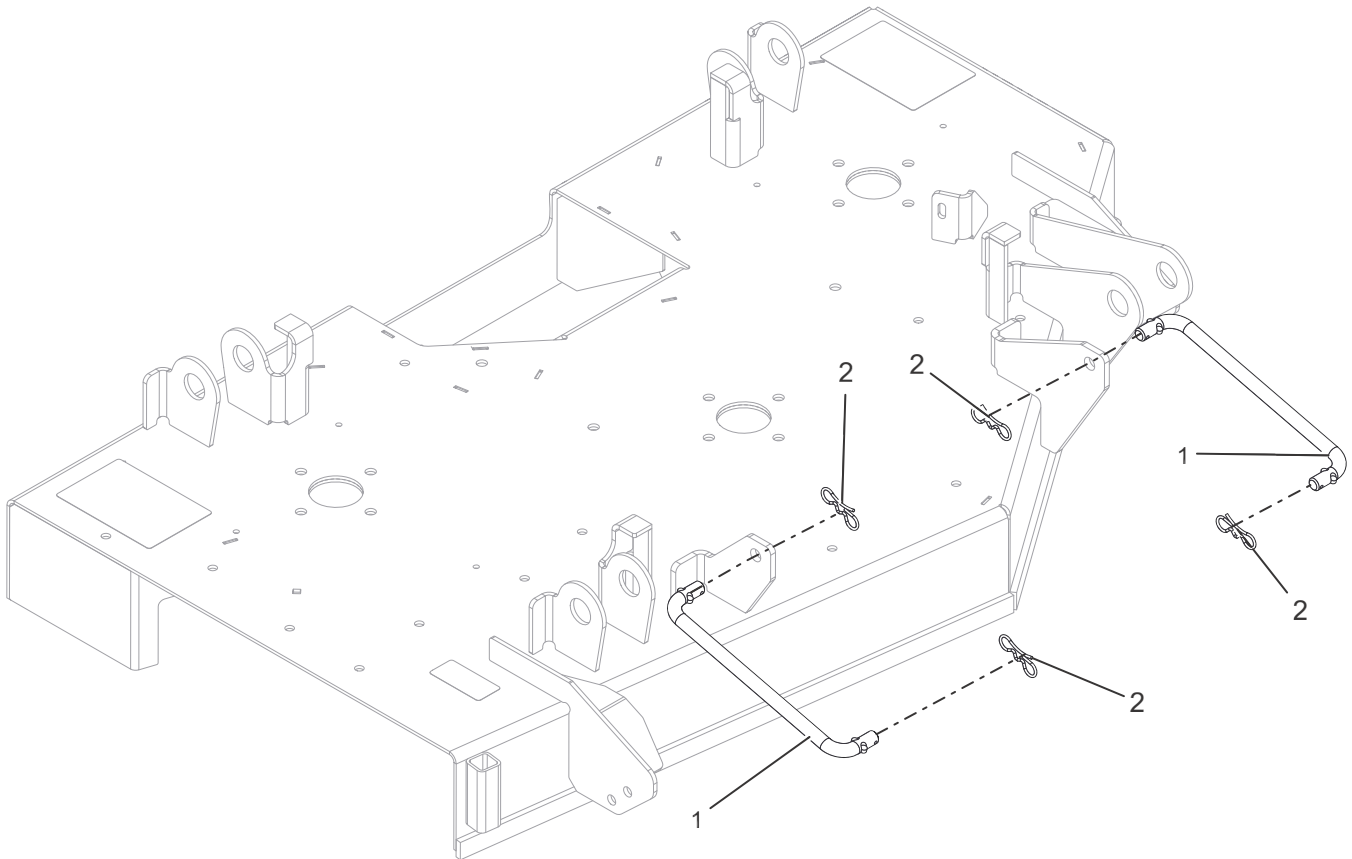
Models All



BOM ID	Number	Qty	Description
1	04741759	1	WLDMT, HOC LINK (ORANGE)
2	04741800	1	WLDMT, HOC CAM
3	04742100	1	ARM, HOC DETENT
4	05091700	1	KNOB, HOC DIAL
5	05091900	1	CAMSHAFT,
6	05501218	2	BUSHING, FLANGE .503X.75X.875X1.0
7	05800900	1	PIN-ROLL .125X1.00
8	06443300	3	WSHR-FL-NYL .518X1.00X.08
9	06600211	1	KEY, 1/8 X 1/8 X 1.0 REV
10	06700201	2	PIN, BOWTIE LOCKING .091X1.875
11	07411600	2	SCR-TAP .25-20X.37 HWH YWZ TR
12	07500319	1	CAM, HOC INDEX

# DECK MOUNT

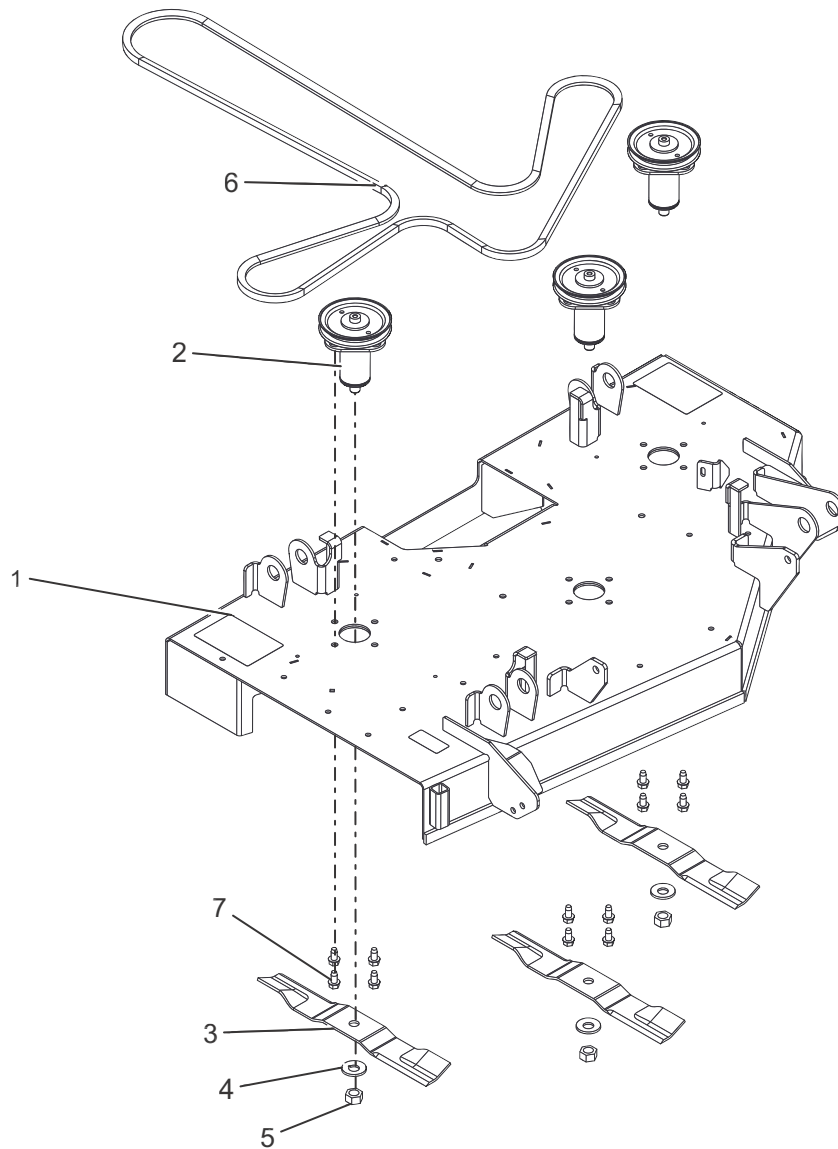
Models All



BOM ID	Number	Qty	Description
1	02004500	2	LINK, DRAG
2	06700201	4	PIN, BOWTIE LOCKING .091X1.875

# DECK, BELT, BLADES AND SPINDLES – 42"

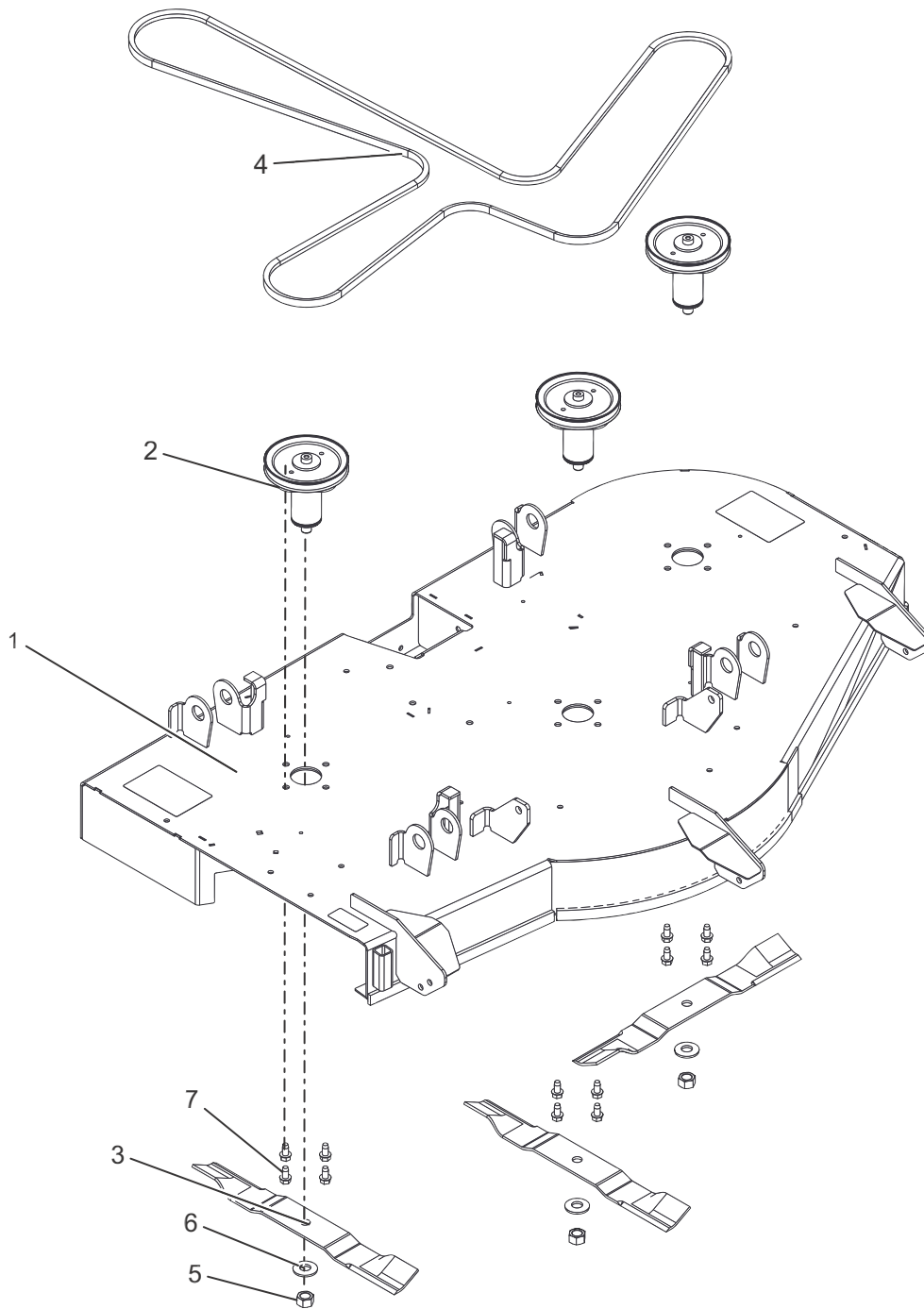
Model 915226



BOM ID	Number	Qty	Description
1	51528100	1	WLDMT, DECK
2	51527900	3	ASM, SPINDLE
3	04769800	3	BLADE, MOWER
4	06445700	3	WSHR, BLVL-.63X1.625X.14
5	06500630	3	NUT-HEX .62-18 YWZC
6	07200523	1	V-Belt, HA-WRAPPED CLUTCHING (NO RUBBER BLEED THRU)
7	07415400	12	SCR-TAP .38-16X.75 HWH TR YWZ

# DECK, BELT, BLADES AND SPINDLES – 52"

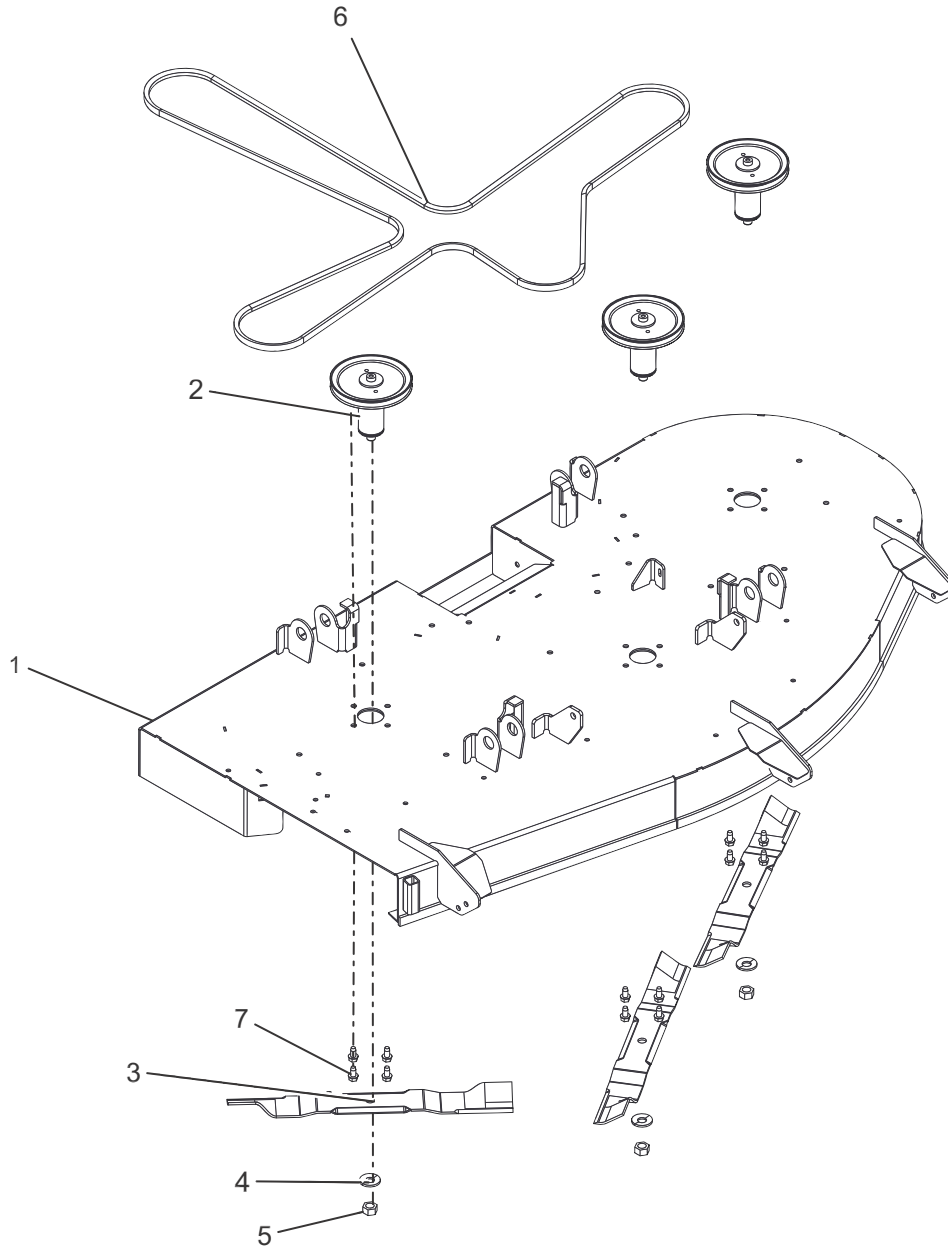
Model 915227



BOM ID	Number	Qty	Description
1	51528300	1	WLDMT, DECK
2	51528000	3	ASM, SPINDLE
3	04771200	3	BLADE, 18" - 20 DEG .5 OFFSET
4	07200023	1	V-BELT, HA-WRAPPED
5	06500630	3	NUT-HEX .62-18 YWZC
6	06445700	3	WSHR, BLVL-.63X1.625X.14
7	07415400	12	SCR-TAP .38-16X.75 HWH TR YWZ

# DECK, BELT, BLADES AND SPINDLES – 60"

Models 915228, 229

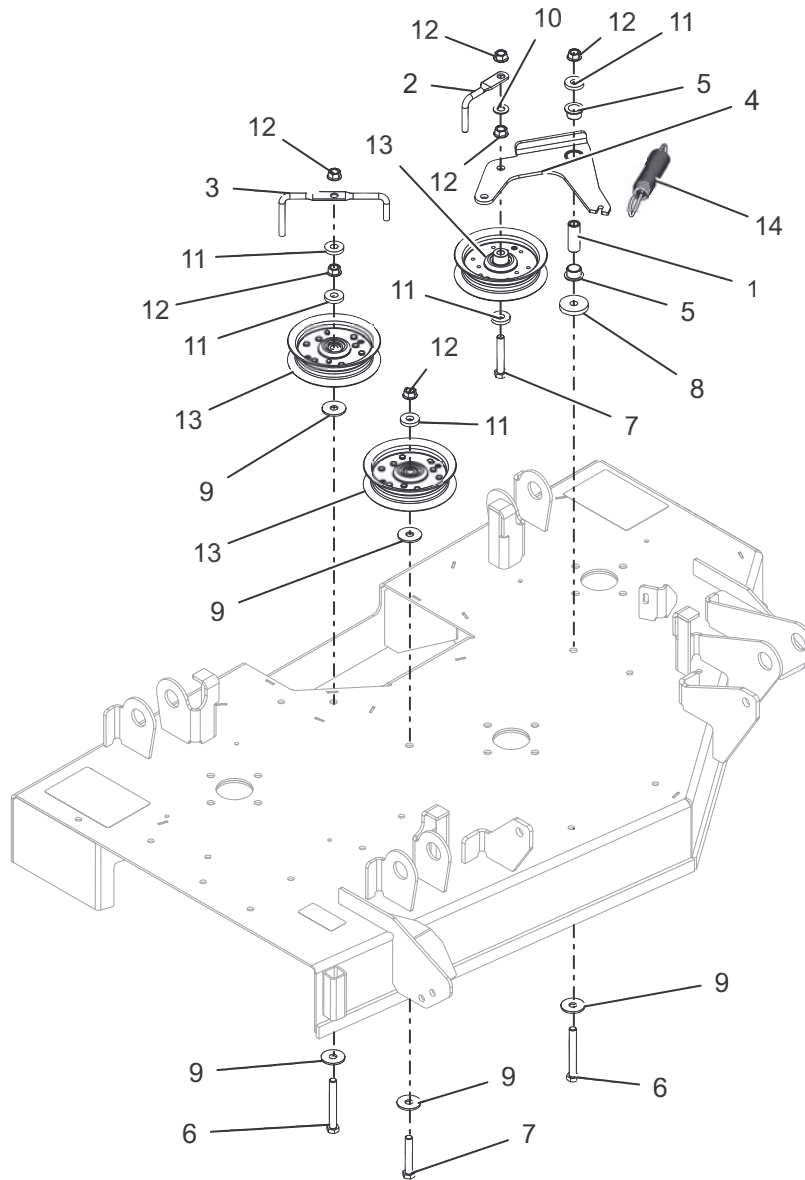


BOM ID	Number	Qty	Description
1	51530500	1	WLDMT, MOWER DECK - 60" WITH DECALS
2	51530700	3	ASM, SPINDLE
3	04965000	3	BLADE,
4	06445700	3	WSHR, BLVL .63X1.625X.14
5	06500630	3	NUT-HEX .62-18 YWZC
6	07200804	1	V-BELT,
7	07415400	12	SCR-TAP .38-16X.75 HWH TR YWZ



# IDLERS AND SHEAVES – 42"

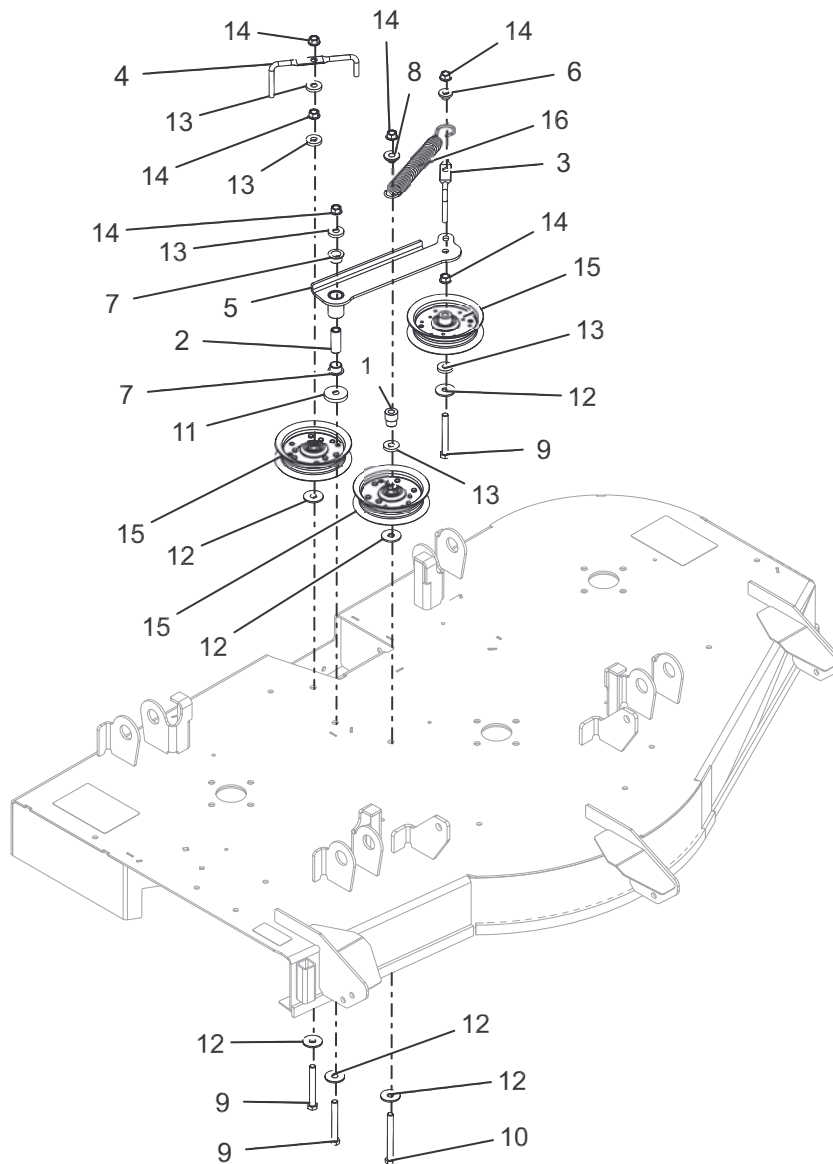
## Model 915226



BOM ID	Number	Qty	Description
1	03763400	1	SPCR, .375IDX.625ODX1.66 PM
2	03828859	1	WIREFORM, BELT FINGER
3	03974100	1	FINGER, BELT
4	04773359	1	WLDMT, IDLER ARM (ORANGE)
5	05500907	2	BSHG, FLANGE .625 x .75 x .50 x 1.00
6	05958300	2	BOLT, HEX 0.375-16X3 GR5
7	05962900	2	BOLT, HEX 0.375-16X2.25 GR5
8	06400006	1	WSHR-FL-STL .406X1.50X.245 YWZC
9	06400917	5	WSHR-FL-STL .406X1.25X.10 YWZC
10	06436200	1	WSHR-FL-STL.406X.812X.065 YWZ
11	06444000	5	WSHR-FL-STL .406X1.00X.188 YWZC
12	06542000	6	NUT, LK-TOP-FLG .38-16 YWZC
13	07300039	3	ASM, IDLER 4"
14	08320300	1	SPRG, EXTENSION

# IDLERS AND SHEAVES – 52"

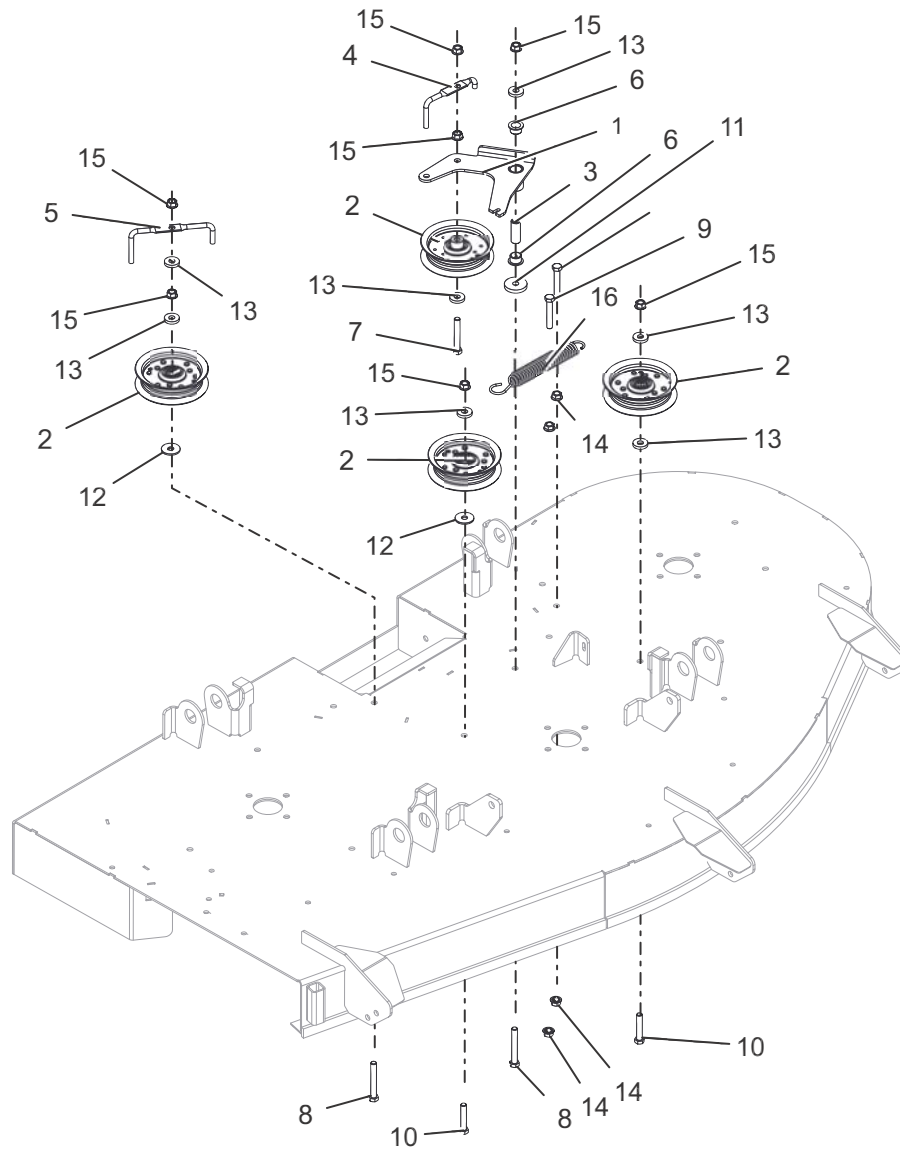
## Model 915227



BOM ID	Number	Qty	Description
1	00679300	1	BUSHING, IDLER
2	03763400	1	SPCR, .375IDX.625ODX1.66 PM
3	03856859	1	WIREFORM, BELT FINGER-ORANGE
4	03974100	1	FINGER, BELT
5	04795659	1	WLDMT, IDLER - 52" IDLER ARM
6	05500435	1	BSHG, FLG .385 X .500 X .875 X .406
7	05500907	2	BSHG, FLANGE .625 x .75 x .50 x 1.00
8	05501028	1	BSHG-FLG .385X.500X.875X.31
9	05958300	3	BOLT, HEX 0.375-16X3 GR5
10	05960900	1	BOLT, HEX 0.375-16X3.5 GR5
11	06400006	1	WSHR-FL-STL .406X1.50X.245 YWZC
12	06400917	6	WSHR-FL-STL .406X1.25X.10 YWZC
13	06444000	5	WSHR-FL-STL .406X1.00X.188 YWZC
14	06542000	6	NUT, LK-TOP-FLG .38-16 YWZC
15	07300039	3	ASM, IDLER 4"
16	08320300	1	SPRG, EXTENSION

# IDLERS AND SHEAVES – 60"

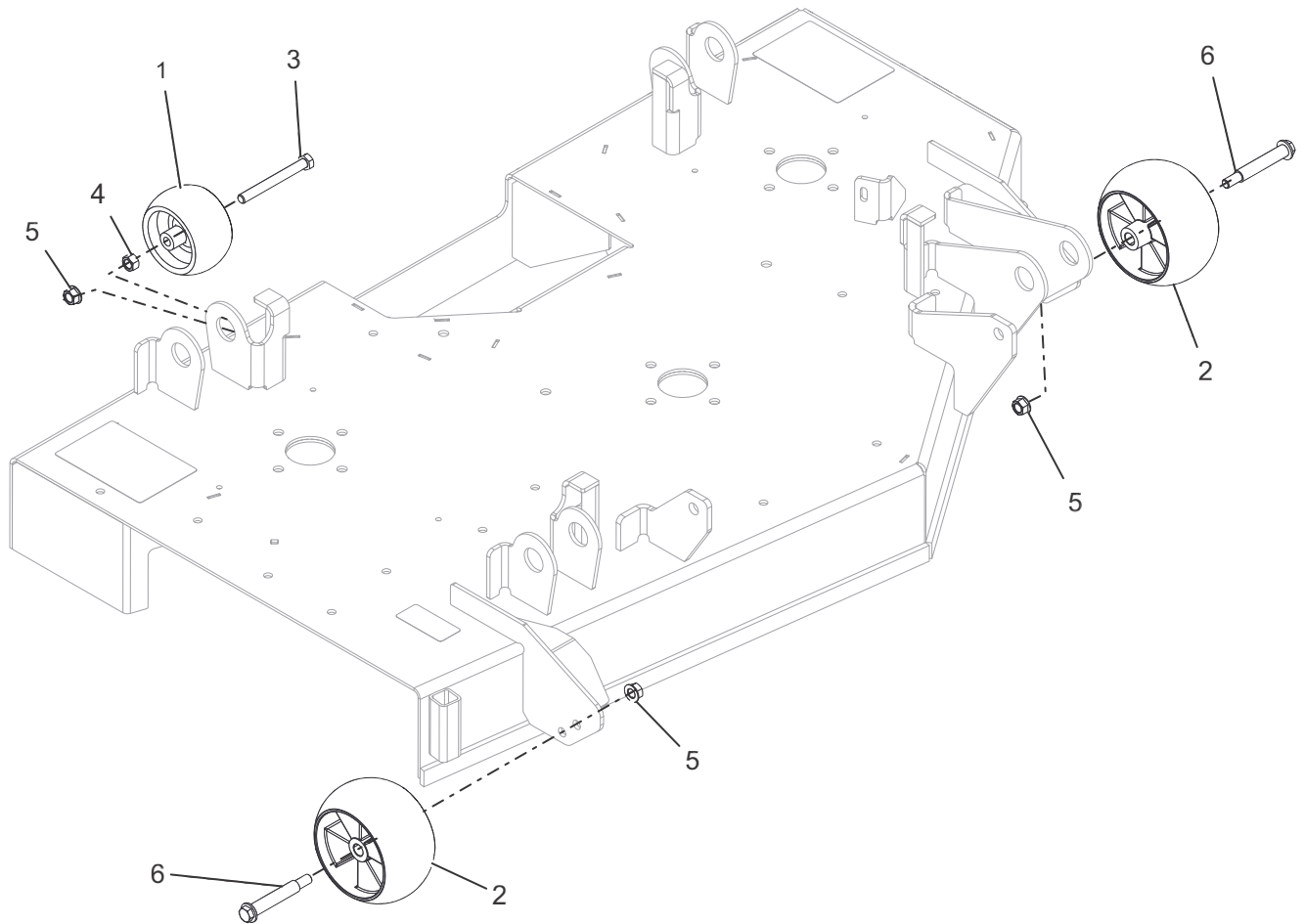
Models 915228, 229



BOM ID	Number	Qty	Description
1	04773359	1	WLDMT, IDLER ARM (ORANGE)
2	07300039	4	ASM, IDLER 4"
3	03763400	1	SPCR, .375IDX.625ODX1.66 PM
4	03856859	1	WIREFORM, BELT FINGER-ORANGE
5	03974100	1	FINGER, BELT
6	05500907	2	BSHG, FLANGE .625 x .75 x .50 x 1.00
7	05958400	1	BOLT, HEX 0.375-16X2.5 GR5
8	05961400	2	BOLT, HEX 0.375-16X2.75 GR5
9	05962900	2	BOLT, HEX 0.375-16X2.25 GR5
10	05963300	2	BOLT, HEX 0.375-16X2 GR5
11	06400006	1	WSHR-FL-STL .406X1.50X.245 YWZC
12	06400917	2	WSHR-FL-STL .406X1.25X.10 YWZC
13	06444000	7	WSHR-FL-STL .406X1.00X.188 YWZC
14	06534900	4	@NUT-SPNLK-FLG .375-16 YWZC
15	06542000	7	NUT, LK-TOP-FLG .38-16 YWZC
16	08320300	1	SPRG, EXTENSION

# ANTI-SCALP WHEELS – 42"

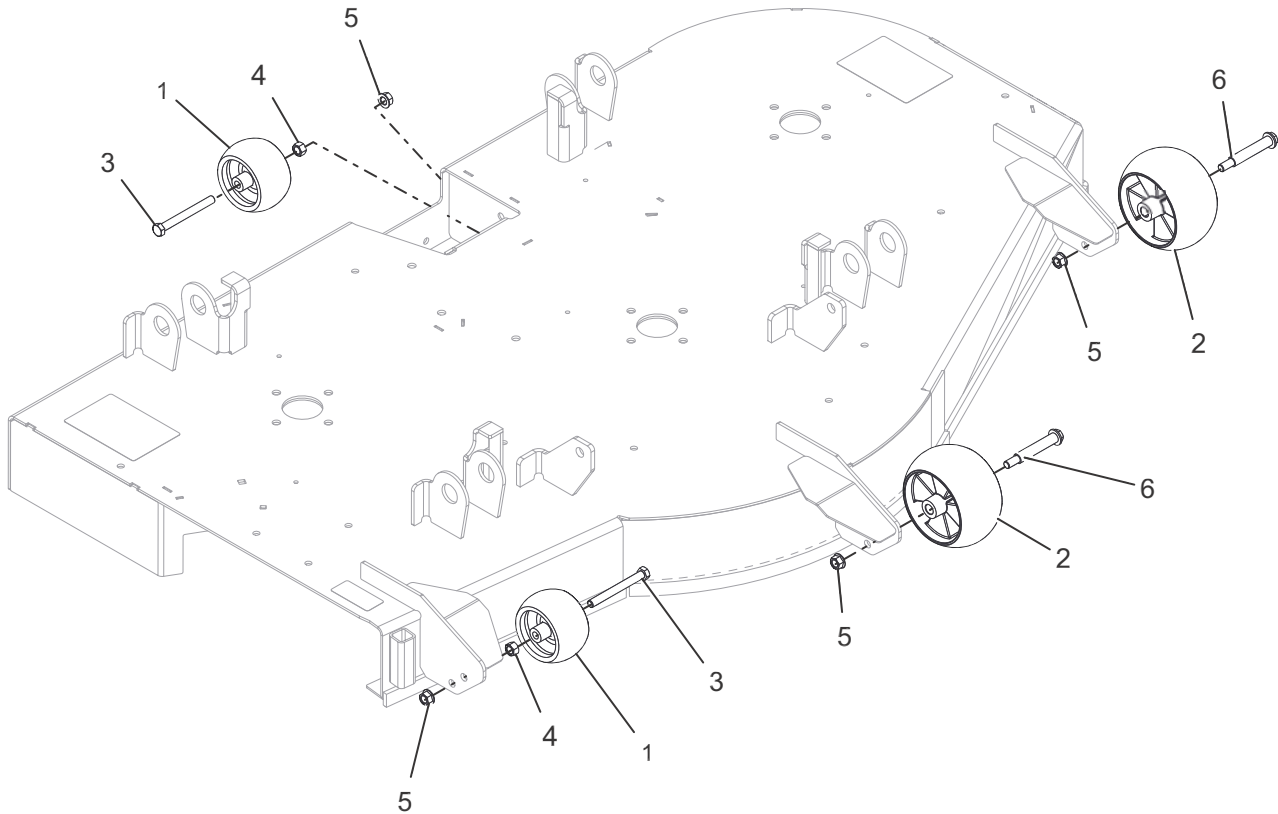
Model 915226



BOM ID	Number	Qty	Description
1	02745400	1	ROLLER
2	03905600	2	ANTI-SCALP WHEEL - 5XOS
3	05960900	1	BOLT, HEX 0.375-16X3.5 GR5
4	06529400	1	NUT-HEX .38-16 YWZC
5	06542000	3	NUT, LK-TOP-FLG .38-16 YWZC
6	07056800	2	BLT-SHLDR .38-16X2.50 HWH G5YZ

# ANTI-SCALP WHEELS – 52"

Model 915227

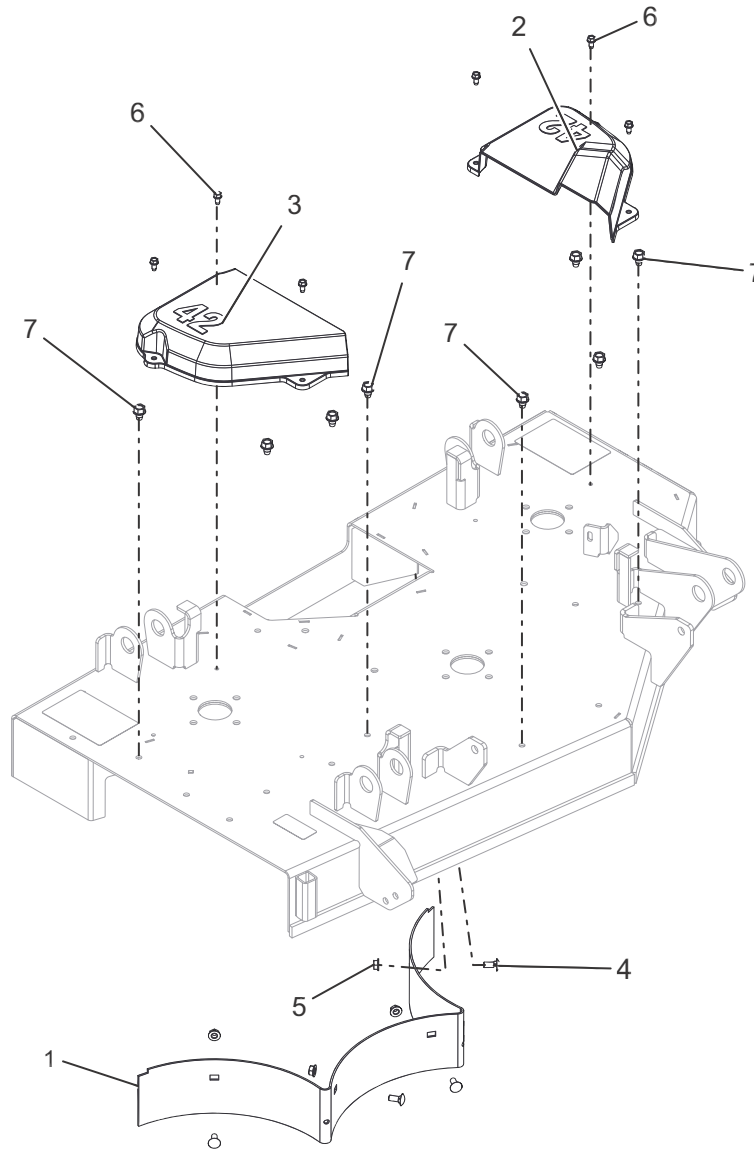


BOM ID	Number	Qty	Description
1	02745400	2	ROLLER
2	03905600	2	ANTI-SCALP WHEEL - 5XOS
3	05960900	2	BOLT, HEX 0.375-16X3.5 GR5
4	06529400	2	NUT-HEX .38-16 YWZC
5	06542000	4	NUT, LK-TOP-FLG .38-16 YWZC
6	07056800	2	BLT-SHLDR .38-16X2.50 HWH G5YZ



# BELT COVERS AND BAFFLES – 42"

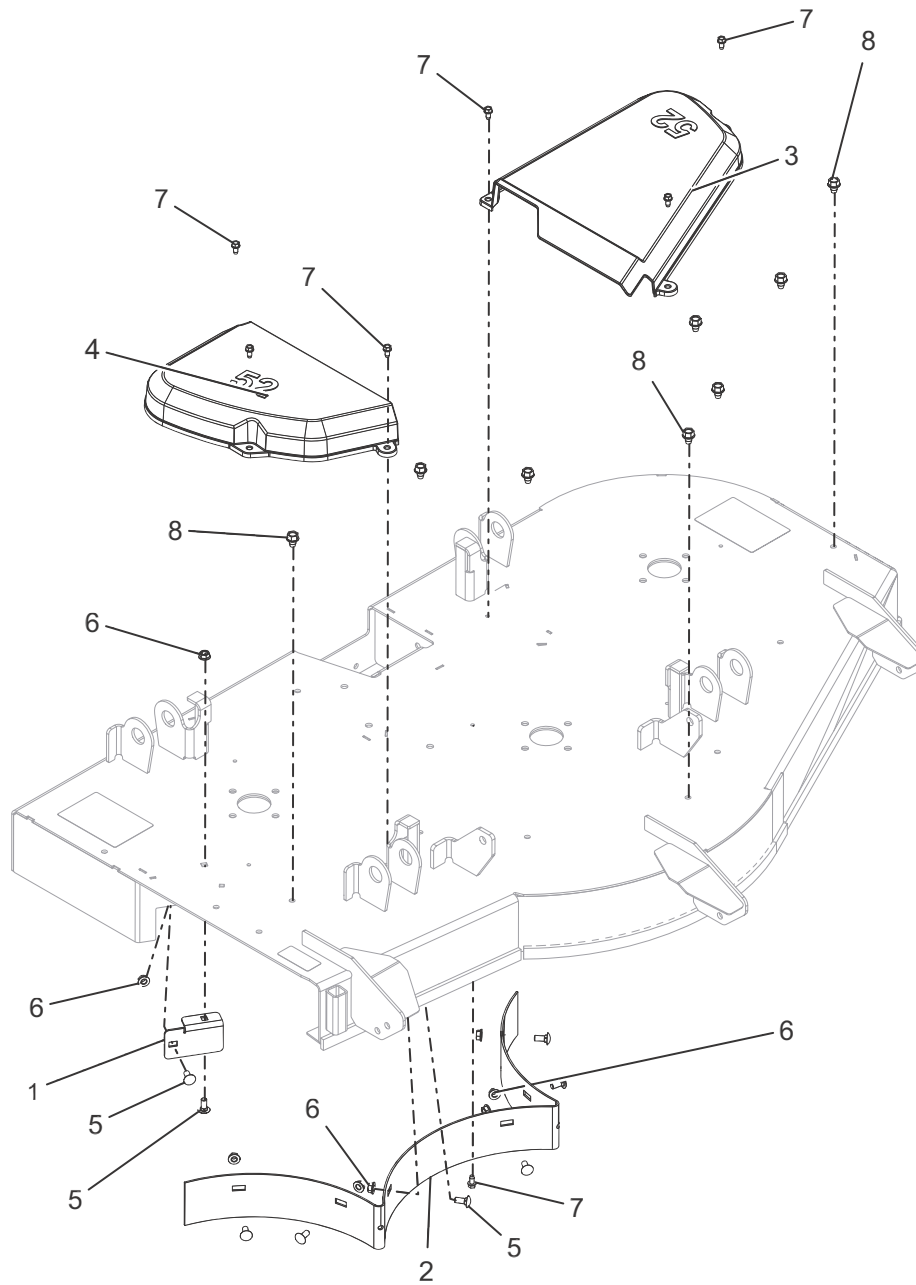
Model 915226



BOM ID	Number	Qty	Description
1	04769700	1	BAFFLE, REAR
2	04789100	1	COVER, BELT 42" LEFT
3	04789200	1	COVER, BELT 42" RIGHT
4	06215700	4	BOLT, CARRIAGE 0.3125-18X0.75 GR5
5	06543100	4	NUT, LK-TOP-FLG .312-18 YWZC
6	07400034	6	SCR-TAP .25-20X.50 HWH TR YWZ
7	07412900	8	SCR-TAP .38-16X.50 HWH TR YWZ

# BELT COVERS AND BAFFLES – 52"

Model 915227

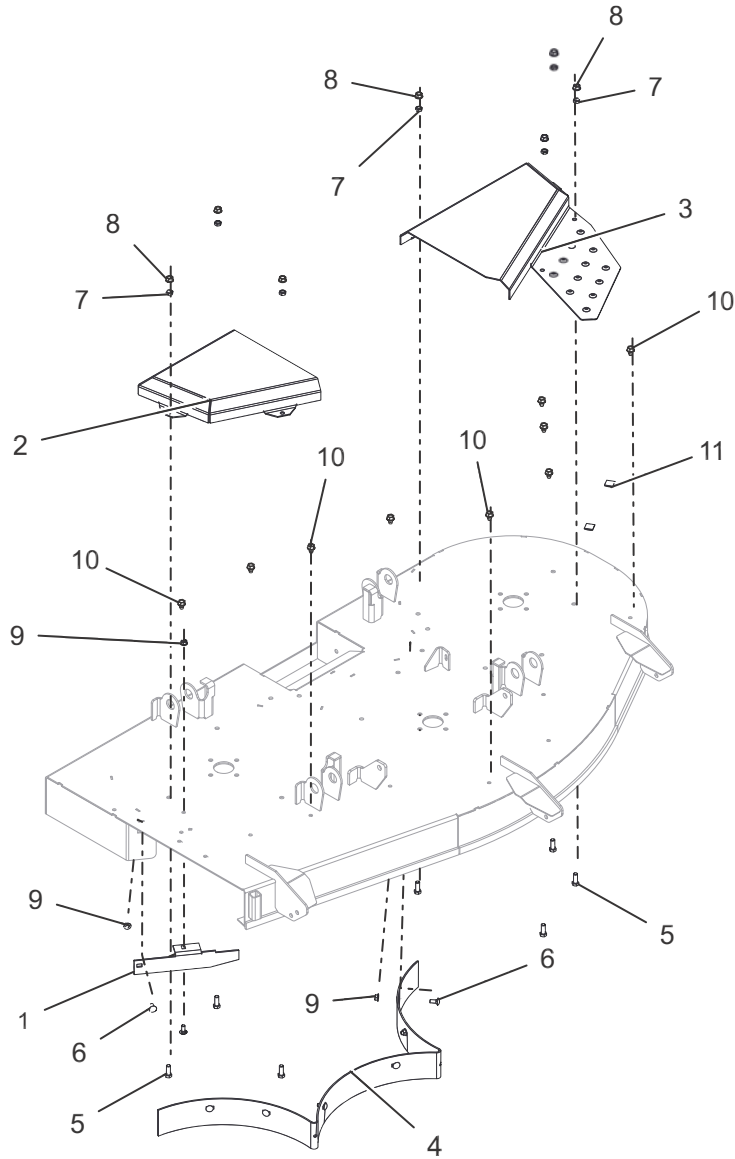


BOM ID	Number	Qty	Description
1	04771659	1	STRIP, DEFLECTOR
2	04775259	1	BAFFLE, REAR
3	04792900	1	COVER, BELT
4	04793300	1	COVER, BELT
5	06215700	8	BOLT, CARRIAGE 0.3125-18X0.75 GR5
6	06543100	8	NUT, LK-TOP-FLG .312-18 YWZC
7	07400034	7	SCR-TAP .25-20X.50 HWH TR YWZ
8	07412900	8	SCR-TAP .38-16X.50 HWH TR YWZ



# BELT COVERS AND BAFFLES – 60"

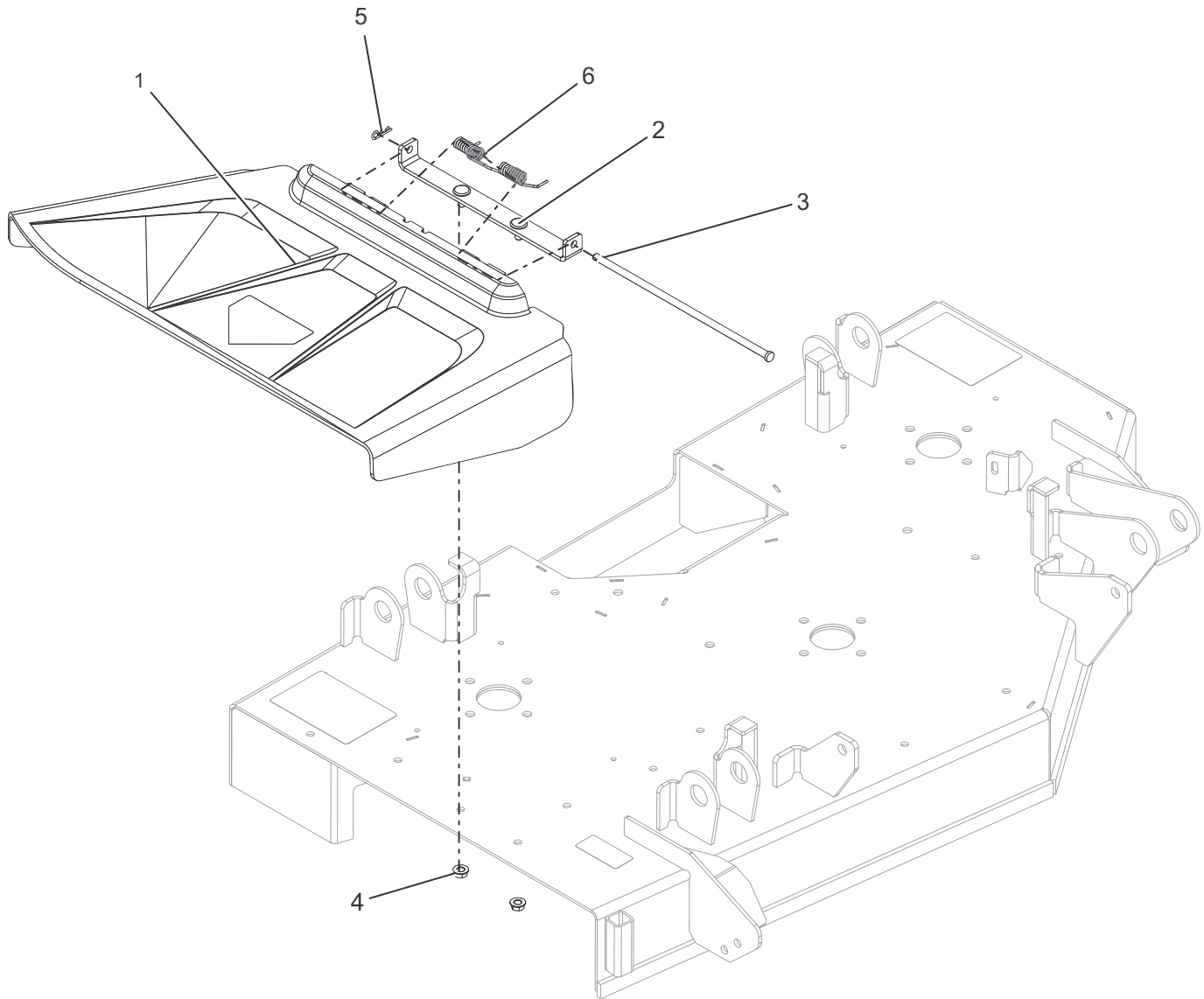
Models 915228, 229



BOM ID	Number	Qty	Description
1	04995259	1	BAFFLE, DISCHARGE - 60" (ORANGE)
2	04997059	1	COVER, RH BELT - 60" (ORANGE)
3	04997159	1	COVER, LH BELT - 60" (ORANGE)
4	05015359	1	BAFFLE, REAR
5	05948700	7	BOLT, HEX 0.375-16X1 GR5
6	06215700	8	BOLT, CARRIAGE 0.3125-18X0.75 GR5
7	06535900	7	NUT, JAM .375-16 YWZC
8	06542000	7	NUT, LK-TOP-FLG .38-16 YWZC
9	06543100	8	NUT, LK-TOP-FLG .312-18 YWZC
10	07412900	9	SCR-TAP .38-16X.50 HWH TR YWZ
11	07525100	2	STOP,

# DISCHARGE CHUTE

Models All



BOM ID	Number	Qty	Description
1	04795000	1	CHUTE, SIDE DISCHARGE
2	04799859	1	WLDMT, CHUTE MOUNTING BRACKET (ORANGE)
3	04815900	1	PIN, 5/16 X 10.5
4	06543100	2	NUT, LK-TOP-FLG .312-18 YWZC
5	06713500	1	PIN, HAIR INT .08X.18X1.18 YWZC
6	08300621	1	SPRG, TORSION .35 ID (CHUTE)

# NOTES

---



**ARIENS®**

**Ariens Company**

655 West Ryan Street  
Brillion, WI 54110

**[ariensstore.com](http://ariensstore.com)**  
(Dealer Locator)

**[ariens.custhelp.com](http://ariens.custhelp.com)**  
(Customer Support)



— An *Ariens* Company Brand