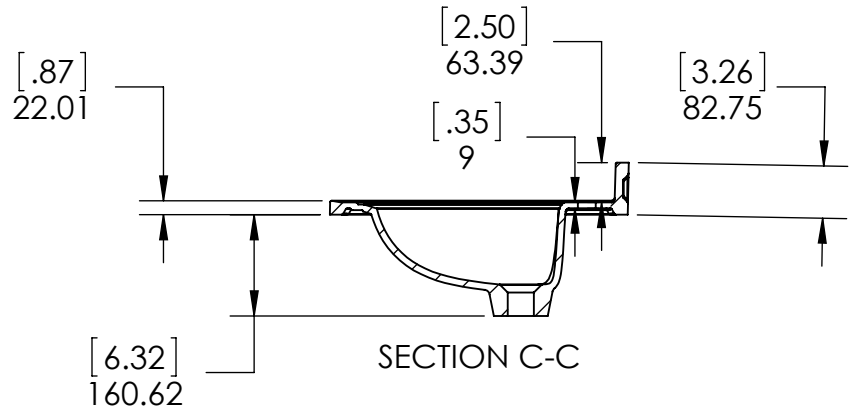
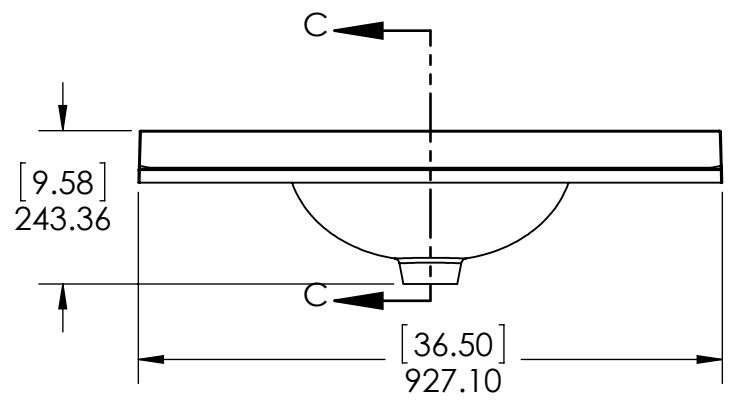
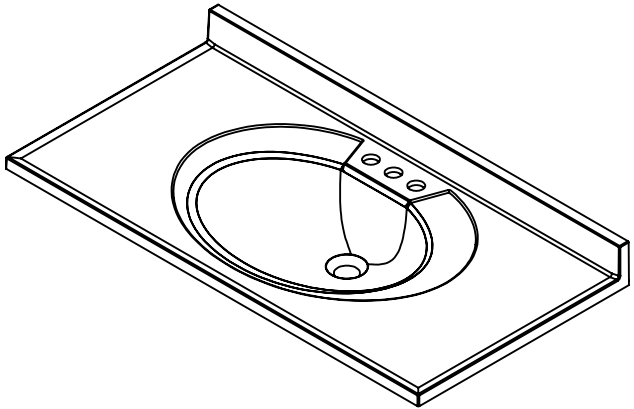
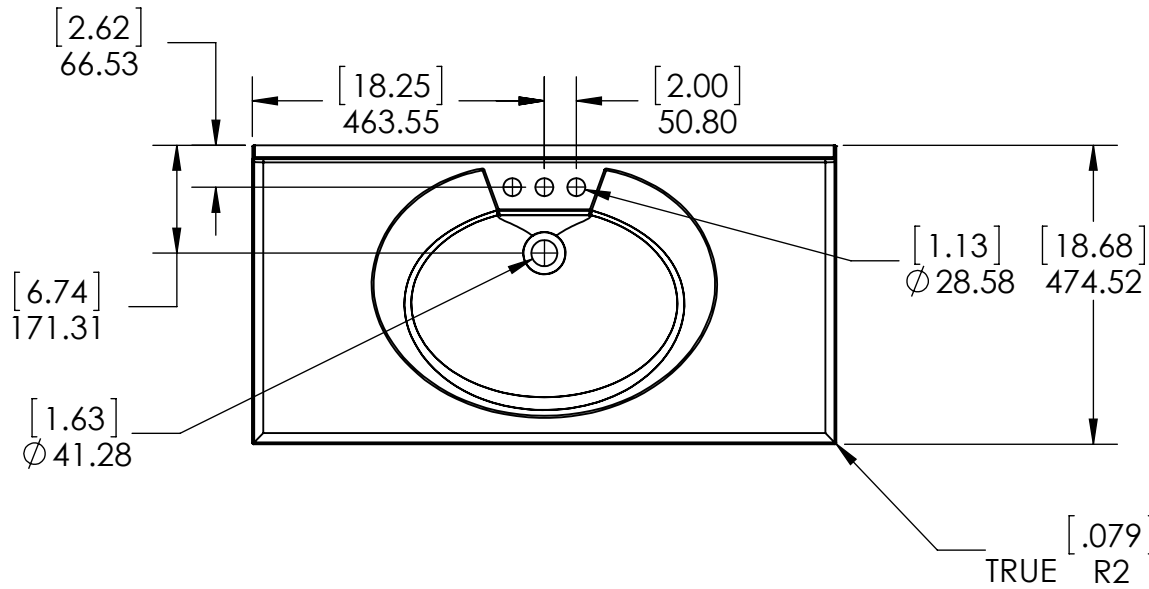



DRAWING TYPE	ITEM ID	ITEM DESCRIPTION	TECHNOLOGIES	DRAWING STATUS
Finish Good	595045	Newport 37x19 White	Composite	Design Process

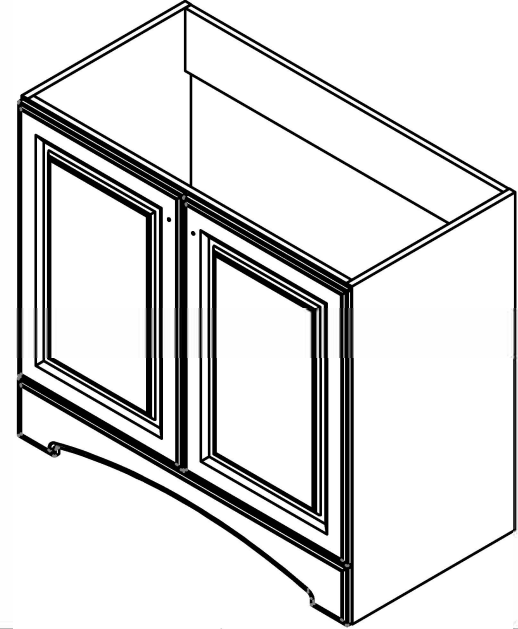
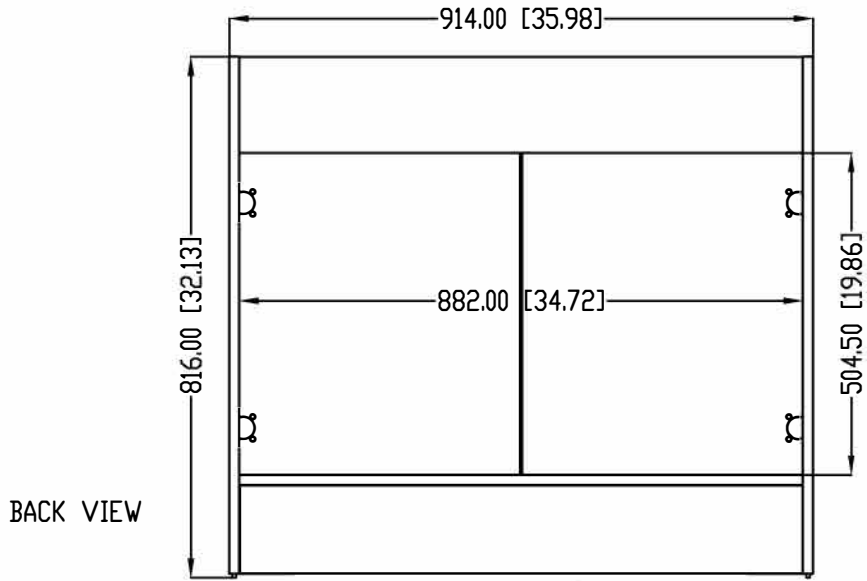
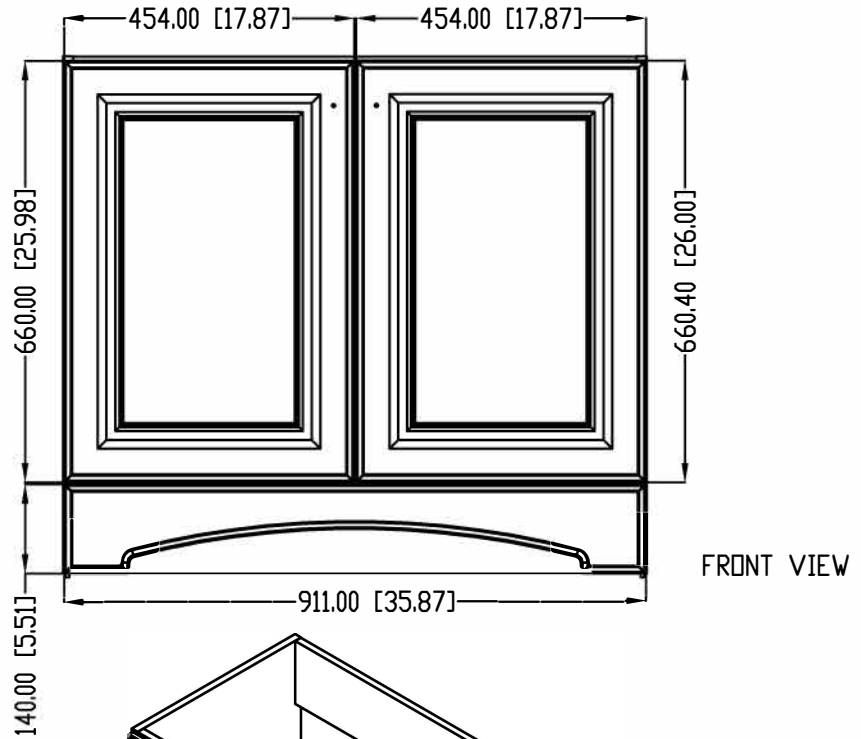
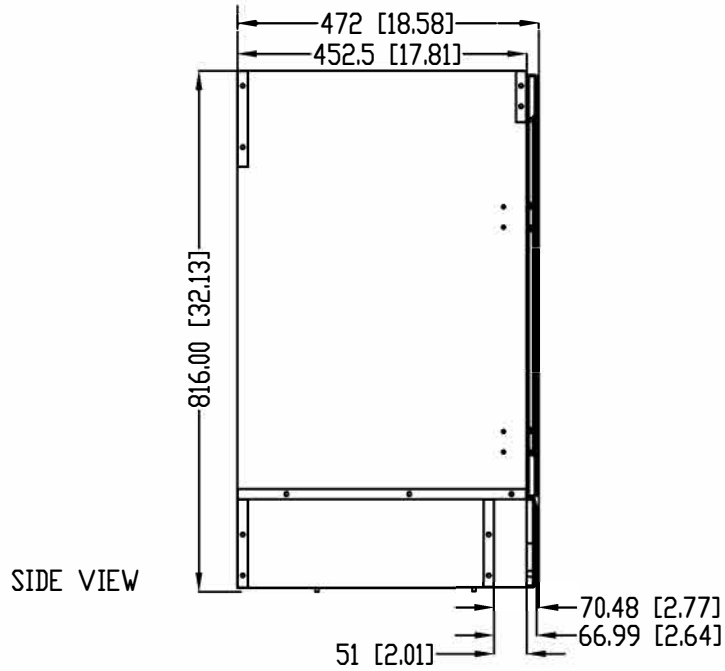


Estimated Weight: 15.92 kg

<b>PROPRIETARY AND CONFIDENTIAL</b> THE INFORMATION CONTAINED IN THIS DRAWING IS THE SOLE PROPERTY OF WOODCRAFTERS. ANY REPRODUCTION IN PART OR AS A WHOLE WITHOUT THE WRITTEN PERMISSION OF WOODCRAFTERS IS PROHIBITED.	UNLESS OTHERWISE SPECIFIED		NAME	DATE	 SIZE DWG. NO. <b>A</b> Newport 37x19 White SHEET 1 OF 1 REV: <b>0</b>
	DIMENSIONS ARE IN MM. AND (INCHES)		DRAWN	E. Sandoval 5/02/16	
	TOLERANCES ARE		CHECKED	R. Rubio 5/02/16	
	+ 0.125 [3.175] - 0.125 [-3.175]		ENG APPR.	V. Sanchez 5/02/16	
	SCALE:1:10		MFG APPR.	C. Leal 5/02/16	

ITEM ID	DESCRIPTION
GB36P2-WA	Glacier Bay 36in Vanity in Golden Pecan with Cultured Marble Vanity Top White
GB36P2-WH	Glacier Bay 36in Vanity in White with Cultured Marble Vanity Top on White

REV	ECD#	DESCRIPTION	REV'D BY DATE	CHK'D BY DATE	APRV'D BY DATE
0		New Release	CMRH 5/3/16	CMRH 5/3/16	CMRH 5/3/16
1		Add more measurements on bottom of cabinet	CMRH 7/20/18	CMRH 7/20/18	CMRH 7/20/18



PROPRIETARY AND CONFIDENTIAL  
 THE INFORMATION CONTAINED IN THIS DRAWING IS THE  
 SOLE PROPERTY OF WOODCRAFTERS HOME PRODUCTS  
 L.L.C. ANY REPRODUCTION IN PART OR AS A WHOLE  
 WITHOUT THE WRITTEN PERMISSION OF WOODCRAFTERS  
 HOME PRODUCTS L.L.C. IS PROHIBITED.

UNLESS OTHERWISE SPECIFIED  
 DIMENSIONS ARE IN mm  
 and(inches)  
 AND TOLERANCES ARE  
 +/- 1.0 [0.04]

DRAWN BY:	CMRH	5/3/16
CHECKED BY:	CMRH	5/3/16
APPROVED BY:	CMRH	5/3/16
00 NOT SCALE DRAWING	SCALE: 1:10	SIZE: A

TITLE:	GLACIER BAY 36' ASSEMBLY	
PART NO:	PAGE: 1 OF 1	REV: 1