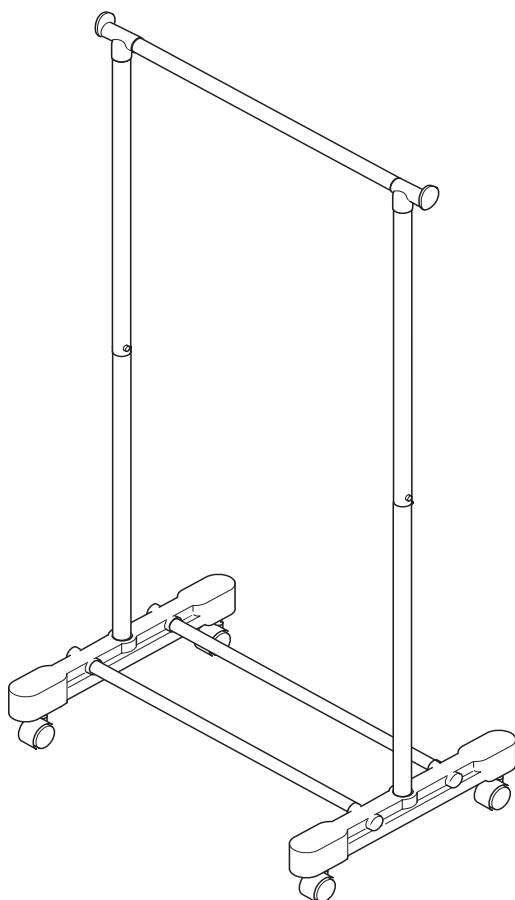




GAR-01121

white portable garment rack



68"H x 35"W x 16.75"D (172.7 cm x 88.9 cm x 42.5 cm)


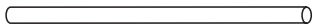







IMPORTANT! Plead read prior to use. This Honey-Can-Do 27" Wide With Shoe Organizer Closet is designed for indoor use. Please do not over-load. To prevent tipping, we recommend that you evenly distribute the weight throughout the unit. Please keep top hanger bar horizontal when in use. Please do not use storage closet for anything other than its intended use. Please do not allow children, spouses or pets to hang from or hide in storage closet. Please keep away from heat sources such as heaters and fireplaces.

LIMITED LIFETIME WARRANTY

This product is warranted to be free of defects in material and workmanship for as long as the consumer owns the product. At Honey-Can-Do's option, defective product will be repaired, replaced or substituted with a product of equal value. For warranty service, e-mail Honey-Can-Do at warranties@honeycando.com or call at **(877) 242-2636** (Business Hours: 8a.m. to 4p.m. CST). You may also contact Honey-Can-Do at 5750 McDermott Drive, Berkeley, IL 60163. Do not dispose of the defective item until or unless you are specifically asked to do so by Honey-Can-Do as we may require return of the defective item. Honey-Can-Do shall in no event be liable for any incidental or consequential damages. Some states do not allow the exclusion or limitation of incidental or consequential damages, so the above exclusion may not apply to you. This warranty gives you specific legal rights, and you may also have additional rights, which may vary from state to state. ♻️ **PLEASE RECYCLE**

PARTS LIST

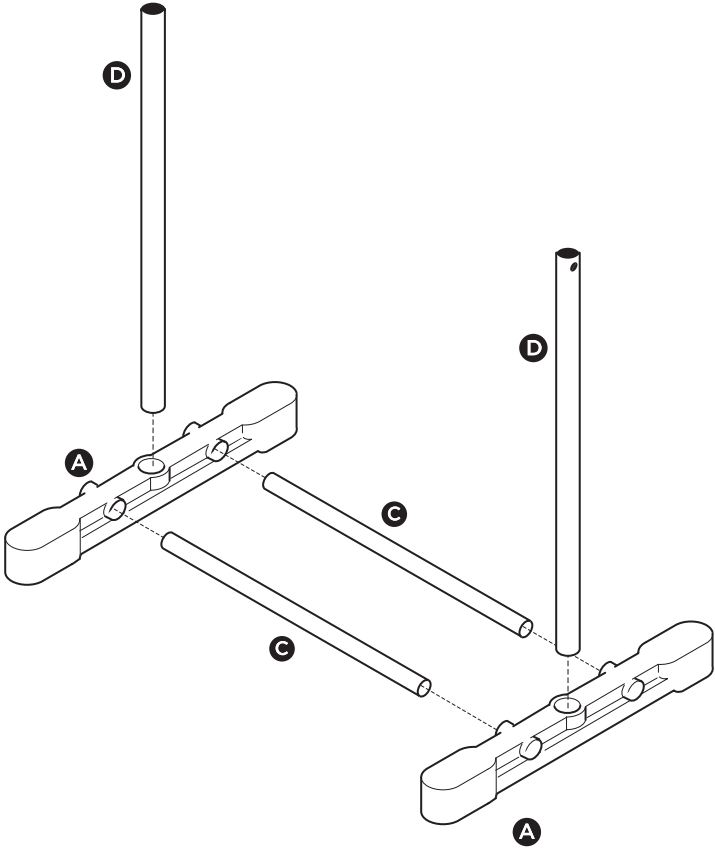
PART/ILLUSTRATION	(QTY)	DESCRIPTION
A 	(2)	Base piece
B 	(1)	Hanger Bar
C 	(2)	Base Bars
D 	(2)	Bottom Upright
E 	(2)	Top Upright
F 	(2)	Connector
G 	(4)	Casters

Thank you for purchasing a Honey-Can-Do Storage Closet!

Please follow these step by step instructions carefully. Plan to spend about 15 minutes assembling your new closet. For assistance, please contact us at info@honeycando.com or 877.2.i.Can.Do.

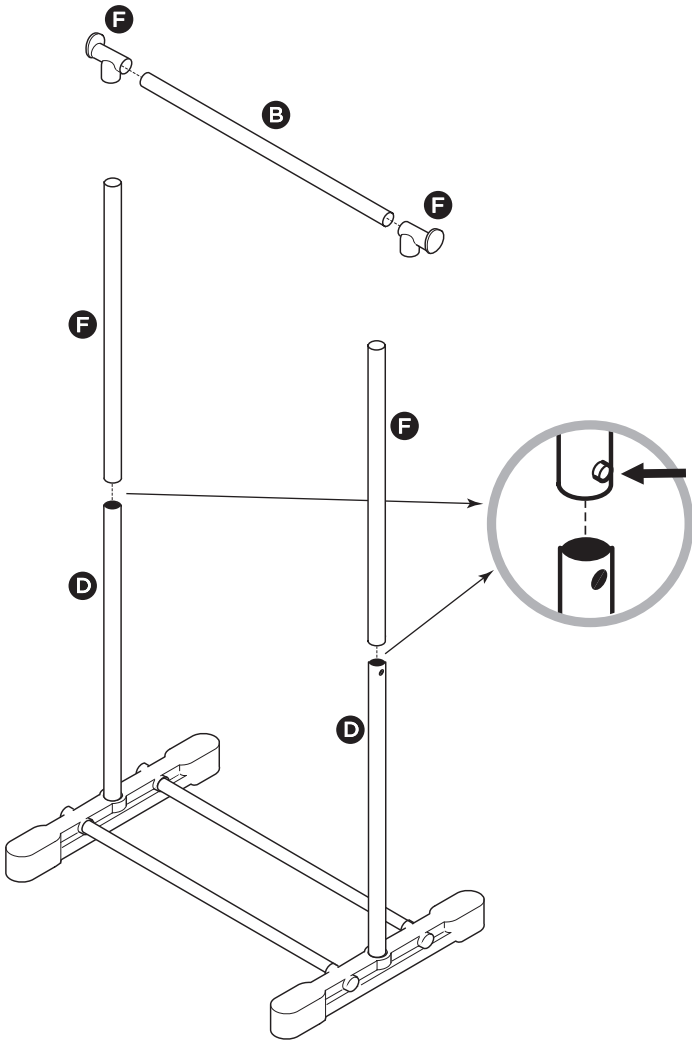
ASSEMBLY

STEP 1 (LOWER FRAME)



ASSEMBLY

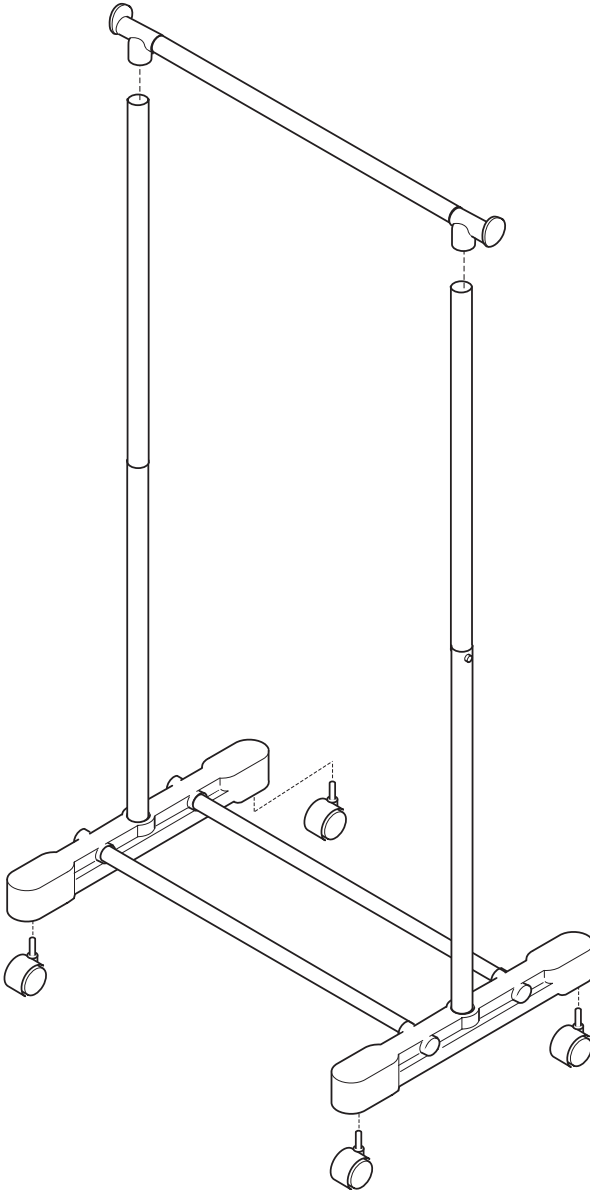
STEP 2 (LOWER FRAME)



Gently push tabs on top upright bars (**E**) inward and insert them into bottom uprights (**D**). Turn top inserts until you hear them click into place.

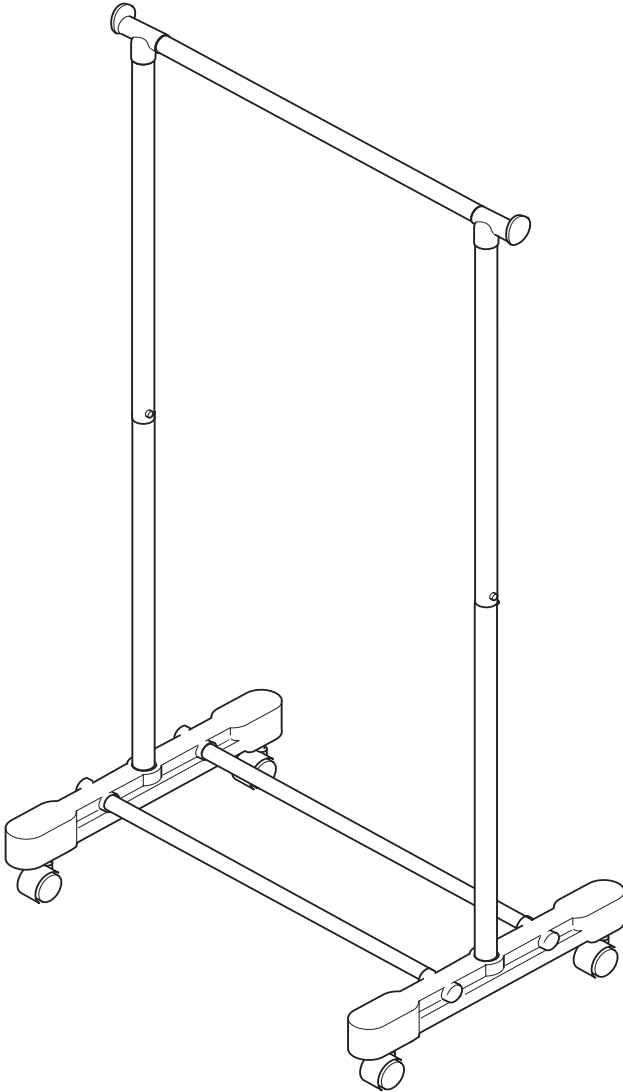
ASSEMBLY

STEP 3



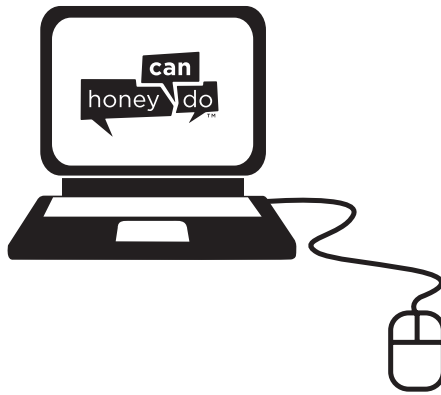
ASSEMBLY

FINISHED PRODUCT



www.honeycando.com

For questions or comments, please call
708.240.8100 or visit us online



YOUR SOURCE FOR
ORGANIZATION,
STORAGE & STYLE

Honey-Can-Do International

5750 McDermott Drive, Berkeley, IL 60163 USA
877.242.2636 | www.honeycando.com

©2011 Honey-Can-Do International, LLC | All Rights Reserved
