

Project		Catalog #		Type	
Prepared by		Notes		Date	



ALB2A40GY
ALB4A40GY

HALO OUTDOOR

ALB2A40GY & ALB4A40GY

The ALB series area light luminaire with integral Dusk to Dawn photocell offers the latest in LED lighting technology. This fixtures brightly illuminates a wide area while saving on energy costs. It easily mounts to a wall, post or onto a pole mounting arm (sold separately). The ALB is perfect for illuminating large areas like barns, yards, loading bays, warehouses, side roads and pathways.

Typical Applications

Retail • Outdoor Area/Site • Residential

Interactive Menu

- Order Information [page 2](#)
- Photometric Data [page 3](#)
- Product Warranty

Product Certification



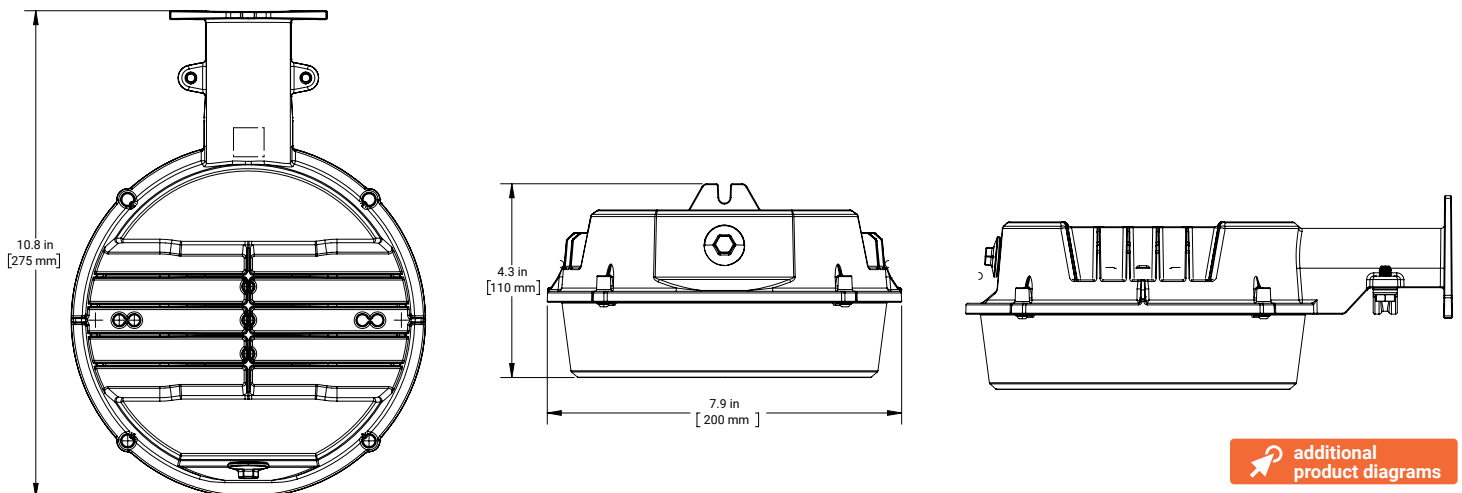
Product Features



Top Product Features

- Constructed of rugged Die cast aluminum housing
- Available in textured Grey finish
- Built-in photocell for Dusk to Dawn operation
- 50,000-hour rated life and 1-year warranty
- Rated for damp and wet locations
- Zero maintenance fixture and no lamp

Dimensional and Mounting Details



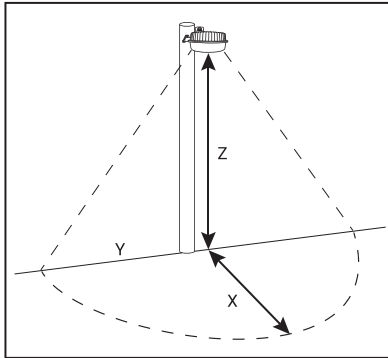
Order Information

SAMPLE ORDER NUMBER: **ALB2A40GY / ALB4A40GY**

Series	Voltage	Power	Delivered Lumens	Efficacy (Lum/Watt)	LED Color Temperature (K)	CRI	Photocontrol
ALB2A40GY	120	19.5	2032	104	4,000	70	Intergrated
ALB4A40GY	120	40.7	4032	99	4,000	70	Intergrated

Family	Lumens	CCT	Finish
AL=Area Light Basic	2A=2,000 4A=4,000	40=4000K	GY=Grey

Suggested Mounting Height



X= Forward Throw
Y= Wall Spread
Z= Mounting Heights

Notes:
Forward throw X - 1/2 Y for wall-mount applications only
See IES files for detailed photometry

Minimum Footcandles (FC)		0.50 FC					
Mounting Height (Z)		10'		15'		20'	
Catalog Number	Lumens	X	Y	X	Y	X	Y
ALB2A40GY	2000	32	32	36	35	38	38
ALB4A40GY	4000	40	40	45	45	52	52

Product Specifications

Construction (Sample)

- Durable die-cast aluminum housing suitable for wet locations
- Glare free UV stable acrylic lens
- Available in textured gray finish
- IP66 design to eliminate risk of Water or foreign object damage
- Suitable for wall or pole mount

Integrated Controls

- Build-in photo controller for dusk-to-dawn operation

Mounting

- Easily mounts to a wooden post, pole or wall using 2" lag screws.
- Can be mounted to a 1-1/4" pipe (1-5/8" Outer Diameter)- pipe not included.
- Recommended mounting height of up to 10 feet for ALB2A and 25 feet for ALB4A

Electrical

- Maintenance-free LEDs with L70 50,000 hours of life
- Drop lens reduces glare.
- Fixture operating temperature range from -30°C to 40°C
- Electrical operating voltage 120V 60Hz
- cULus listed for wet locations

Compliance

- IESNA LM-79 and LM-80 standards compliant
- FCC part 15 class B (residential) compliant
- Can be used for State of California Title 24 high efficacy luminaire

Finish

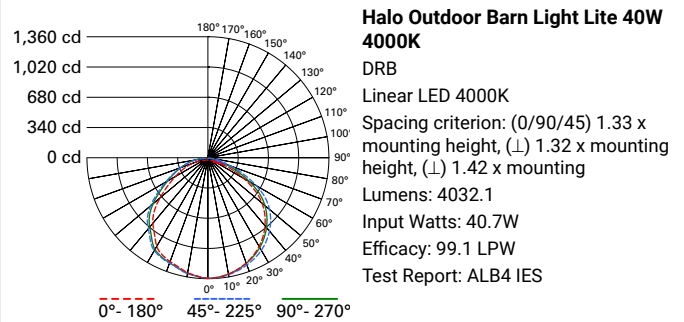
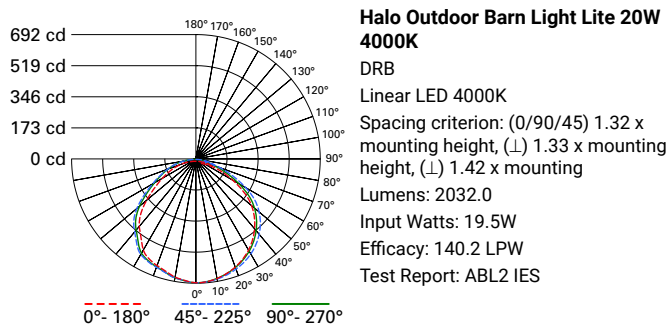
- Textured Grey Finish

Warranty

- 1 year warranty standard.

Photometric Data

[View IES files](#)



ZONAL LUMENS:

Zone	Lumens	% Fixture
0°-10°	64.6	3.2
10°-20°	182.9	9.0
20°-30°	292.1	14.4
30°-40°	361.4	17.8
40°-50°	372.4	18.3
50°-60°	306.0	15.1
60°-70°	263.8	13.0
70°-80°	127.0	6.2
80°-90°	19.9	1.0
90°-100°	6.1	0.3
100°-110°	6.5	0.3
110°-120°	2.1	0.1
120°-130°	11.1	0.5
130°-140°	14.9	0.7
140°-150°	1.3	0.1
150°-160°	0.0	0.0
160°-170°	0.0	0.0
170°-180°	0.0	0.0
0°-30°	539.5	26.6
0°-40°	900.9	44.3
0°-60°	1579.3	77.7
0°-90°	1990.0	97.9
90°-120°	14.7	0.7
90°-150°	42.0	2.1
90°-180°	42.0	2.1
0°-180°	2032.0	100.0

ZONAL LUMENS:

Zone	Lumens	% Fixture
0°-10°	127.6	3.2
10°-20°	368.4	9.1
20°-30°	578.5	14.3
30°-40°	720.7	17.9
40°-50°	738.1	18.3
50°-60°	630.4	15.6
60°-70°	499.7	12.4
70°-80°	245.1	6.1
80°-90°	40.8	1.0
90°-100°	12.4	0.3
100°-110°	12.6	0.3
110°-120°	4.6	0.1
120°-130°	24.2	0.6
130°-140°	25.0	0.6
140°-150°	3.8	0.1
150°-160°	0.2	0.0
160°-170°	0.0	0.0
170°-180°	0.0	0.0
0°-30°	1074.5	26.6
0°-40°	1795.1	44.5
0°-60°	3163.7	78.5
0°-90°	3949.3	97.9
90°-120°	29.6	0.7
90°-150°	82.6	2.0
90°-180°	83.0	2.1
0°-180°	4032.1	100.0

Iso-Footcandle

