

Cup Mode Setup

Start

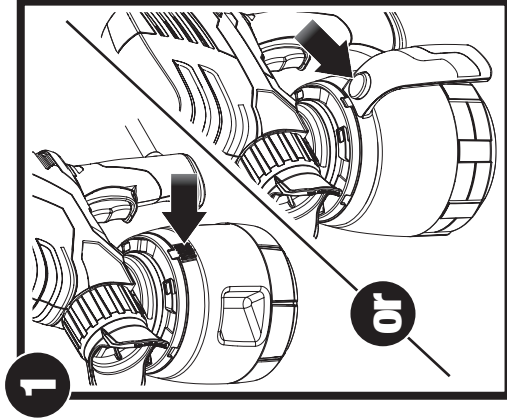
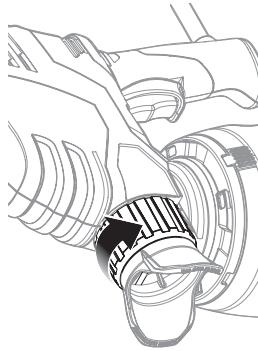
Recommended for small to medium jobs

Note: The cup will give you approximately 3-5 minutes of continuous spraying time depending upon the cup size.

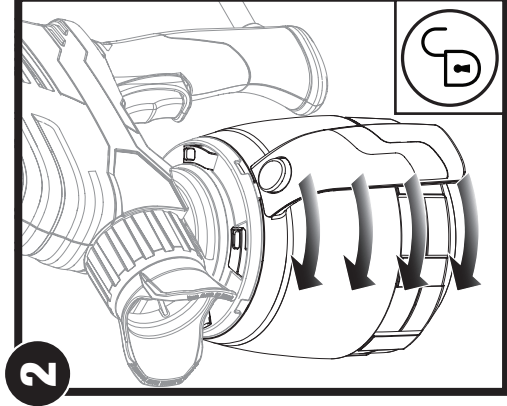
IMPORTANT: Avoid running the cup dry. An empty cup will allow air to become sucked into the sprayer, which leads to globbing and spitting.

Note: Some of the graphics in this manual may not exactly match your sprayer. All information and instructions given in this manual applies to all models except where noted.

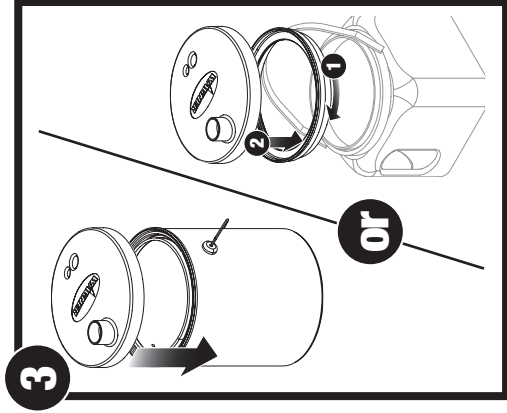
IMPORTANT: Always make sure the tip nut is tightened securely prior to spraying.



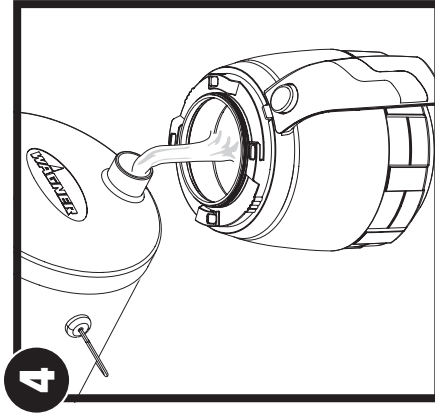
1. **Remove the cup -**
Press and hold cup release button.



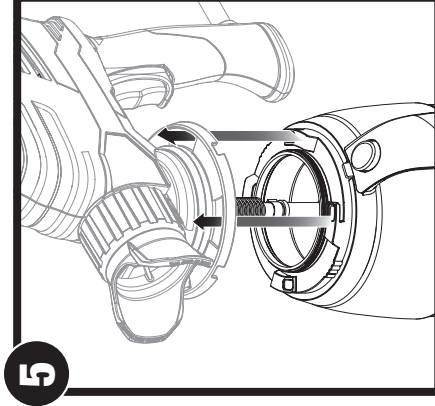
2. Turn cup to release.
Remove cup.



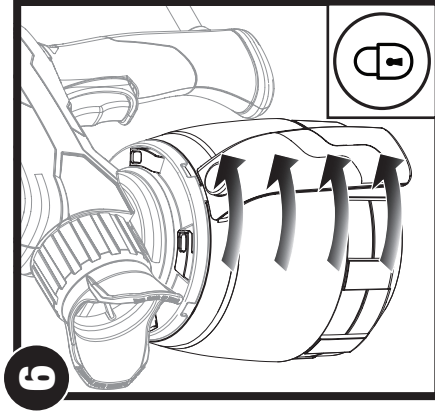
3. Attach fill lid to the paint container for easier pouring.



4. Fill the cup.
Note: Fill right up to, but do not exceed, the MAX FILL line.



5. **Replace the cup -**
Line up the tabs / slots.
Note: The cup grip / cup handle can be oriented on either side of the sprayer, depending upon your preference.



6. Turn cup to lock.
Note: The cup should "click" back into place.

Remote Suction Hose Setup (optional)

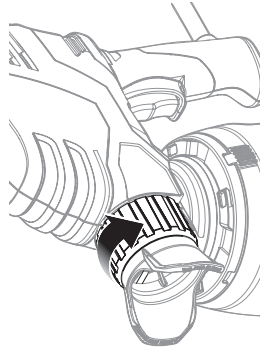
Start

Recommended for medium to large jobs

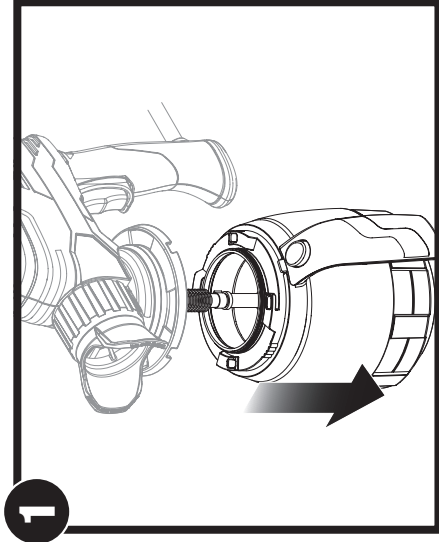
Note: A 75% duty cycle is recommended when spraying with the remote suction hoses. For example, trigger the gun for 15 seconds, and then allow the gun to remain idle (untriggered) for 5 seconds.

IMPORTANT: Avoid running the container dry. An empty container will allow air to get sucked into the sprayer, which leads to globbing and spitting.

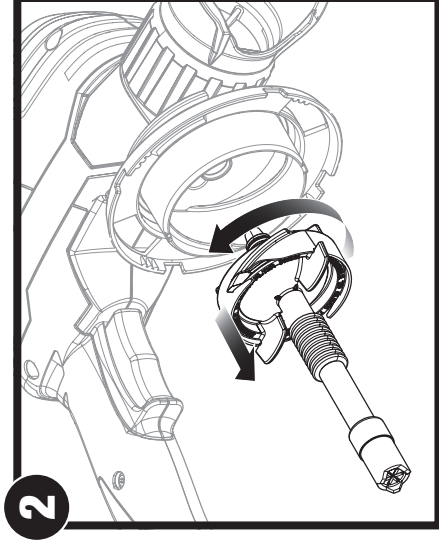
IMPORTANT: Always make sure the tip nut is tightened securely prior to spraying.



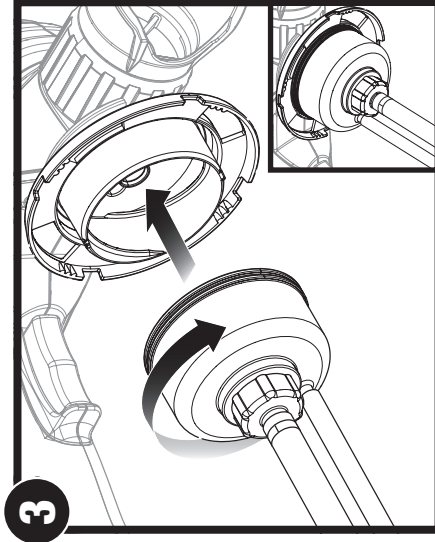
Note: The Low Cup Level Indicator (if equipped, see page 8) are not applicable when using the remote suction hoses.



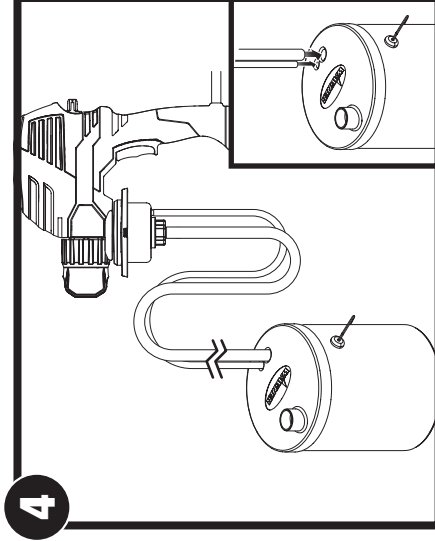
1. Remove the cup -
See steps 1-3, previous page.



2. Twist and remove the suction tube and filter assembly.



3. Attach the housing to the bottom of the sprayer as shown.
Rotate the housing until it clicks into place.



4. Attach lid to paint container.
Push hoses through the holes in the lid and down to the bottom of the material container.

Backpack Kit Setup (optional)

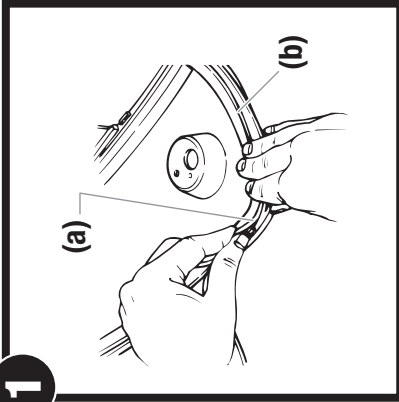
Start

Recommended for medium to large jobs

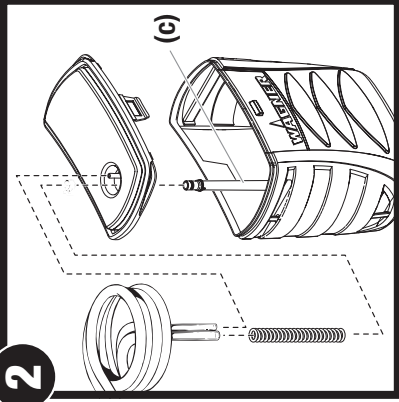
Note: A 75% duty cycle is recommended when spraying with the backpack kit. For example, trigger the gun for 15 seconds, and then allow the gun to remain idle (untriggered) for 5 seconds.

IMPORTANT: Avoid running the backpack dry. An empty backpack will allow air to get sucked into the sprayer, which leads to globbing and spitting.

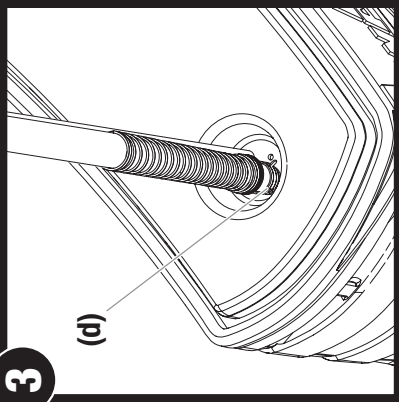
IMPORTANT: Always make sure the tip nut is tightened securely prior to spraying.



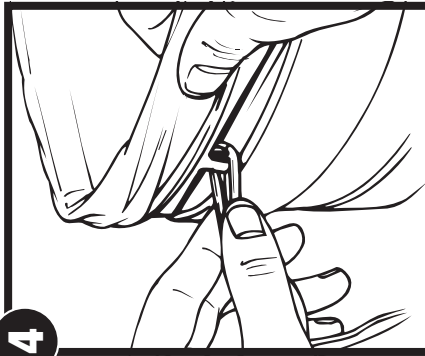
1. Lay cord seal (a) in backpack lid groove (b). Overlap the ends of the cord seal by approximately 1/2 inch. Cut off remaining seal. Lift seal and butt edges together and press excess seal into groove.



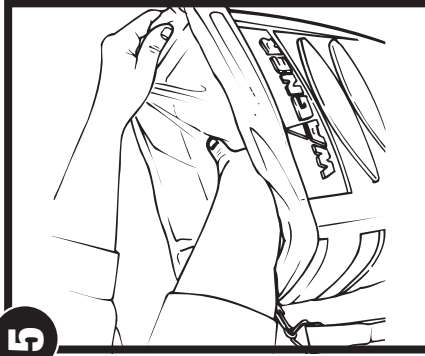
2. Snap backpack suction tube (c) through hole in bottom of backpack lid. Assemble backpack kit as shown.



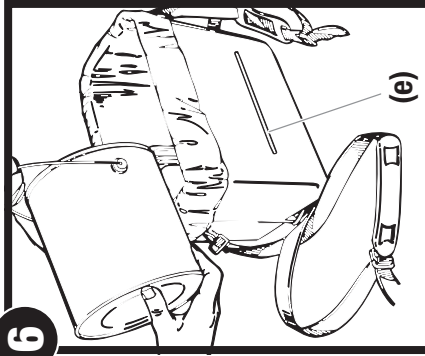
3. Secure clip onto suction tube (d). When backpack kit is assembled, follow steps 1-5 in **Remote Suction Hose Setup** (previous page) to attach the kit to the sprayer.



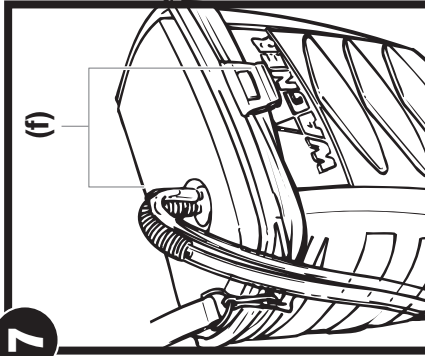
4. Assemble strap hooks to container using same hole as lid clip. Adjust strap to fit user.



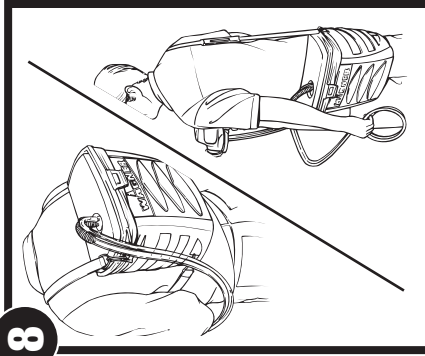
5. If you want to use a backpack liner, install as shown.



6. Pour material into backpack to fill line. Do not fill above the indicated fill line (e).



7. Place lid on backpack and press firmly into place. Secure with the tabs (f).



8. Backpack can either be back- or shoulder-mounted as shown. Adjust straps to fit user.

Spray Controls

Start

Notice:

The spray controls vary depending upon the model of sprayer you have. Refer to this page in order to learn about the controls of your particular sprayer.

Power Painter Plus

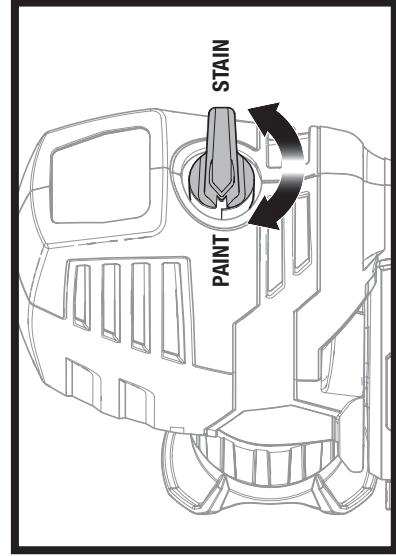
Material Select Level:

The spray pattern is controlled by the Material Select Level on the rear of the sprayer, and by the thickness of the material being sprayed.

If you are spraying thicker materials such as latex paint, turn the lever toward the "PAINT" side of the sprayer.

If you are spraying thinner materials such as thinner stains, turn the lever toward the "STAIN" side of the sprayer.

Note: If you are unable to achieve a good spray pattern while using the 'STAIN' setting, switch the lever over to 'PAINT'.



Power Painter Max

Material Select Level:

Refer to the information given in the previous column.

Electronic Speed Control:

The electronic speed control is displayed by the two green lights on the **right** side of the control panel (a). The Power Painter Max offers two speed levels (LO / HI). The lower the speed level, the closer you can get to your work and the less overspray you will have.

Lower speed levels give you greater control but require more time to cover an area. Depending upon the thickness of the material or conditions, the settings may need to be adjusted.

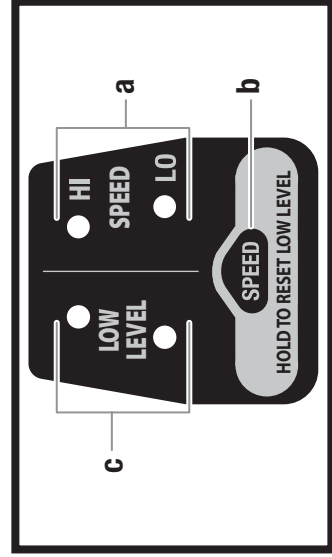
To adjust the speed setting, press the 'SPEED' button (b) below the speed indicator lights until your desired speed is reached.

Low Cup Level Indicator

- Applicable only when spraying in cup mode, cup filled to MAX FILL.
- The low cup level indicator is displayed by the two red lights on the **left** of the control panel (c).

When your cup is running out of material, the low cup level indicators will begin blinking. You should quit spraying and refill the container (see **Cup Mode Setup** instructions, page 5). **Avoid running the cup dry. An empty cup will allow air to become sucked into the sprayer, which leads to globbing and spitting.**

Note: Before you resume spraying, **press and hold** the 'SPEED' button (b) and the indicators will reset and no longer blink. ALWAYS reset the indicators when the cup is full and you are ready to resume spraying. Failure to reset the low cup level indicators will result in the indicators not functioning properly. The low cup level lights will reset whenever the power cord is unplugged.



Power Painter Pro

Electronic Material Selector:

The spray pattern is controlled by the Electronic Material Selector (a) and by the thickness of the material. If you are spraying thicker materials such as latex paint, press the 'SELECT' button (b) until the indicator light indicates 'PAINT'. If you are spraying thinner materials such as thinner stains, press the 'SELECT' button (b) until the indicator light indicates 'STAIN'.

Electronic Speed Control:

The speed control is displayed by the three green lights on the **upper right** side of the control panel (c).

The Power Painter Pro offers three speed levels (LOW/MED/HIGH). The lower the speed level, the closer you can get to your work and the less overspray you will have.

Lower speed levels give you greater control but require more time to cover an area. Depending upon the thickness of the material or conditions, the settings may need to be adjusted.

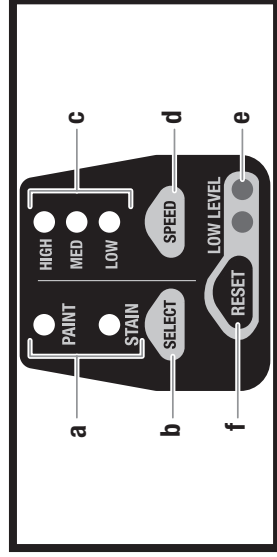
To adjust the speed setting, press the 'SPEED' button (d) until your desired speed is reached. If the sprayer is unplugged, the current speed and electronic material selector setting will be "stored" and remembered during restart.

Low Cup Level Indicator

- Applicable only when spraying in cup mode, cup filled to MAX FILL.
- The low cup level indicator is displayed by the two red lights on the **bottom right** of the control panel (e).

When your cup is running out of material, the low cup level indicators will begin blinking. You should quit spraying and refill the container (see **Cup Mode Setup** instructions, page 5). **Avoid running the cup dry. An empty cup will allow air to become sucked into the sprayer, which leads to globbing and spitting.**

Note: Before you resume spraying, **press and hold** the 'RESET' button (f) and the indicators will reset and no longer blink. ALWAYS reset the indicators when the cup is full and you are ready to resume spraying. Failure to reset the low cup level indicators will result in the indicators not functioning properly. The low cup level lights will reset whenever the power cord is unplugged.



Priming with the Remote Suction Hoses

Start

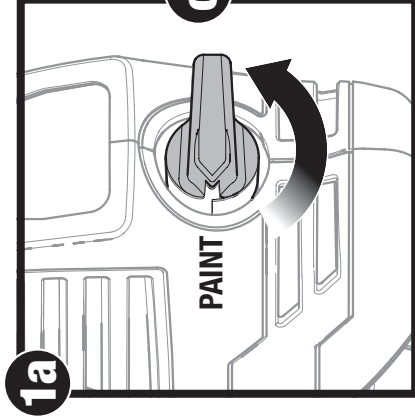
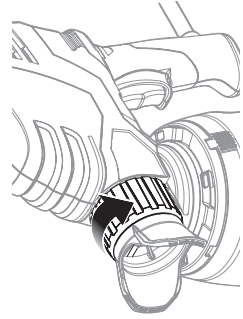
Notice:

Follow these steps if you plan to spray while using the remote suction hoses or the backpack kit.

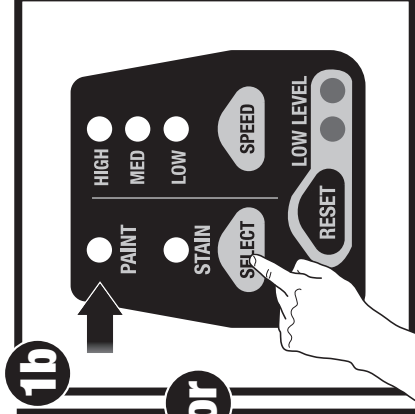
Notes:

- The time needed to prime will vary from 30 seconds to 3 minutes depending upon the thickness of the material you are spraying.
- If your sprayer is properly cleaned and oiled and it takes longer than three minutes to prime, your piston and/or pump housing may be worn and will need to be replaced before using your remote suction set.
- Using the remote suction hoses will decrease the material flow, so it will take longer to apply the same amount of material to the surface being sprayed.
- A 75% duty cycle is recommended when using the remote suction set. For example, trigger the gun for 15 seconds, and then allow the gun to remain idle (untriggered) for 5 seconds.

IMPORTANT: Always make sure the tip nut is tightened securely prior to spraying.

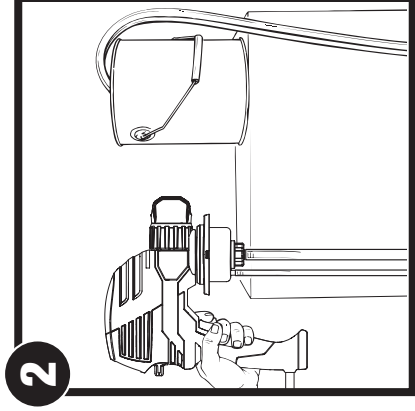


1a



1b

or



2

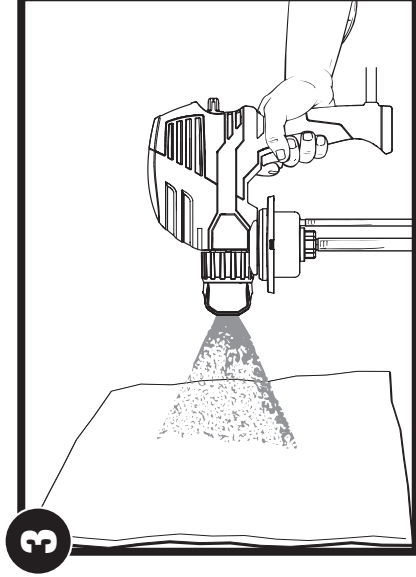
1a. **If equipped -**

Turn the material select lever to 'PAINT'.

1b. **If equipped -**

Press the 'SELECT' switch until the light indicates 'PAINT'.

2. Hold the sprayer **even** with the level of the paint. This will speed up the priming.



3

3. Aim the sprayer at a piece of scrap wood or cardboard.

Squeeze the trigger and hold until all air is out of the system and material is flowing freely out of the sprayer tip. This could take up to three minutes.

IMPORTANT: The suction hose must remain completely submerged in the material. If it is not completely submerged and air is sucked into the system, the piston could seize.

If the piston seizes, the sound the gun makes will change to a low hum and the gun will quickly become hot to the touch. Never run the sprayer when the piston is seized.

Should this happen, clean the piston and the pump housing thoroughly using the cleanup procedures found in this manual.

Practice Spraying

Start

You will need:

- a scrap piece of wood or cardboard

Important - read before spraying

Priming the Sprayer

Once you are ready to spray, it may take 20 seconds for material to spray after you pull the trigger.

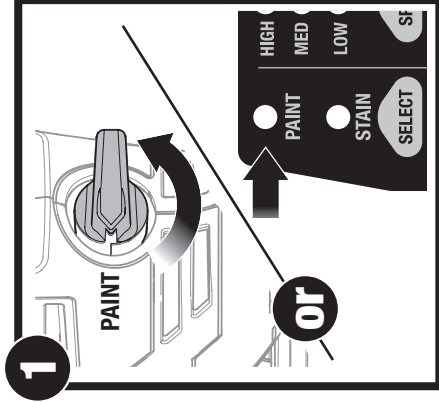
The sprayer may sound choppy, while at the same time spit or spray large globs briefly prior to the spray coming out in a fine mist. This is normal.

Keep holding the trigger and material will come from the sprayer in a fine mist.

Overspray

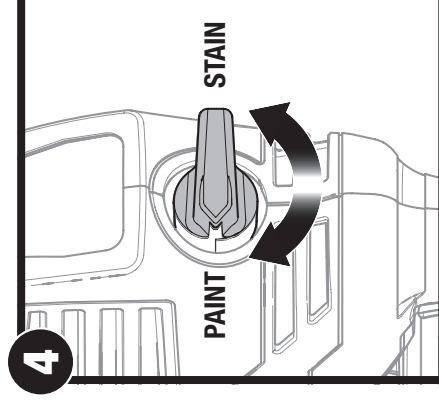
Some sprayed materials create a cloud of paint. Some of that cloud will spray past your intended object and also bounce off of it. Wind and air currents may cause this cloud to drift onto surfaces not intended to be sprayed. You can control the amount of overspray and bounce-back by adjusting your material select control and moving the sprayer closer to the work piece, but always make sure that you have a good spray pattern. Always test your pattern on a scrap piece of wood or cardboard, and make sure that you have drop cloths protecting anything not being sprayed.

Anything you don't want painted that is in the area of your spraying surface should be covered or removed.

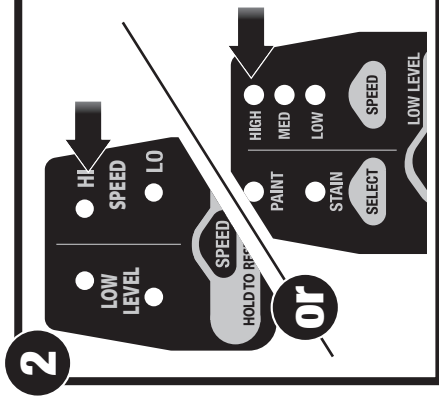


1. Turn the material select lever toward "PAINT", or . . .
Press the "SELECT" switch until the light indicates "PAINT".

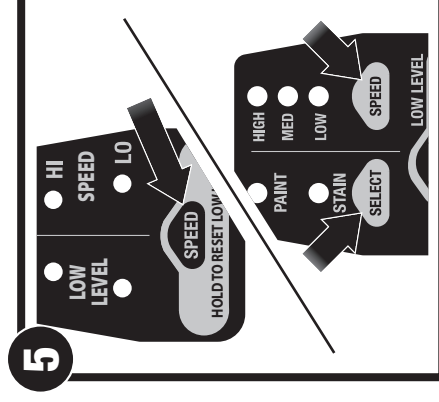
Note: The "PAINT" setting will allow the sprayer to prime faster.



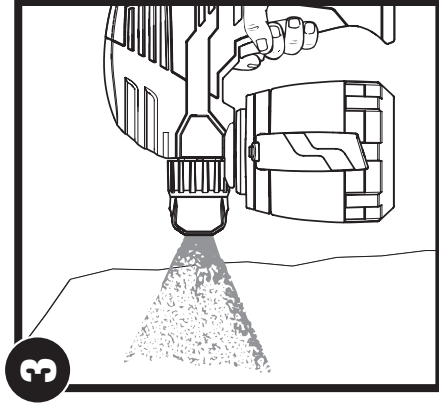
4. **If equipped -** Adjust the material select lever as needed to achieve a good spray pattern.



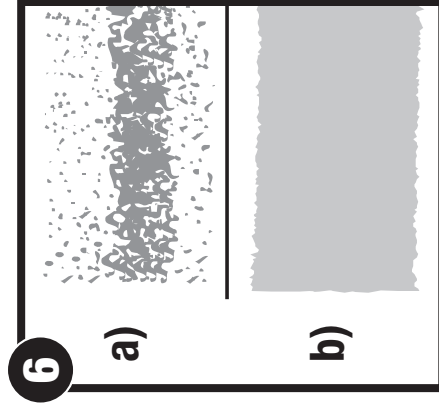
2. **If equipped -** Set the speed control to the highest setting.



5. **If equipped -** Adjust the material selector and speed control as needed to achieve the desired spray pattern.



3. Point the sprayer at a scrap piece of wood or cardboard, and pull the trigger (approximately 10 seconds) until material sprays evenly from the spray gun.



6. (a) - Bad spray pattern.
(b) - Good spray pattern.

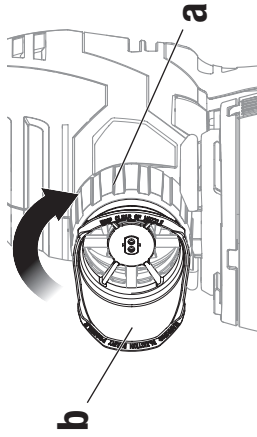
Spraying Technique

Start

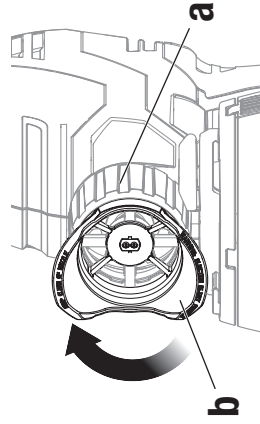
Adjusting the spray tip assembly:

The adjustable spray tip assembly produces a pattern that can be adjusted horizontally or vertically. Rotate the spray adjustment guard (b) as shown.

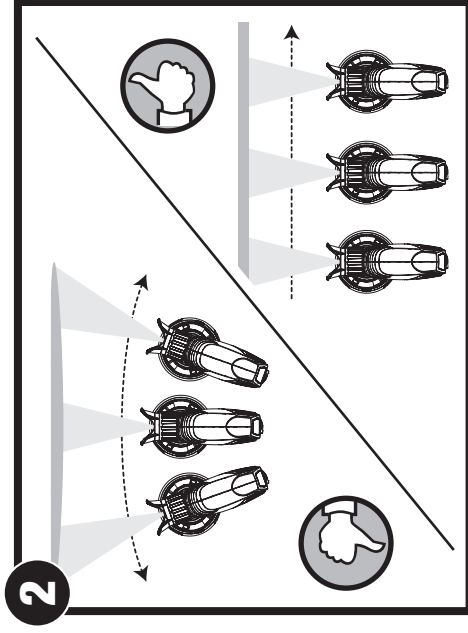
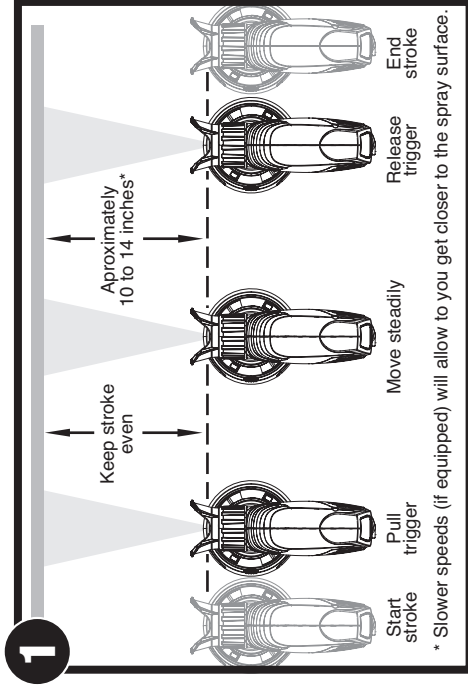
Spraying horizontally (side to side):



Spraying vertically (up and down):



To prevent an injection hazard, make sure the sprayer is unplugged before you adjust the spray tip. Make sure the spray tip nut (a) is sufficiently hand tightened prior to spraying.

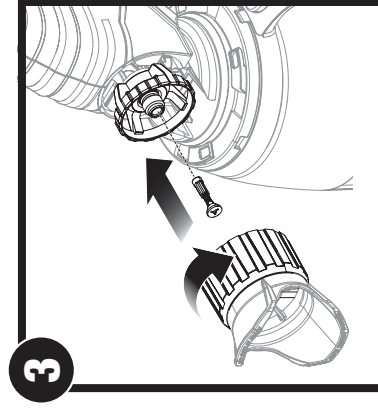
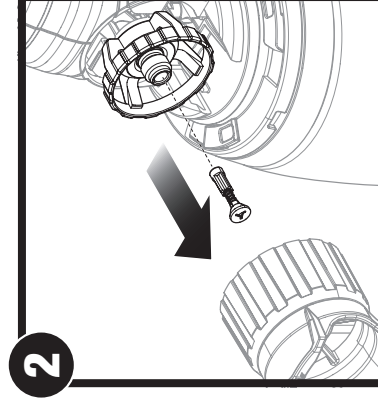
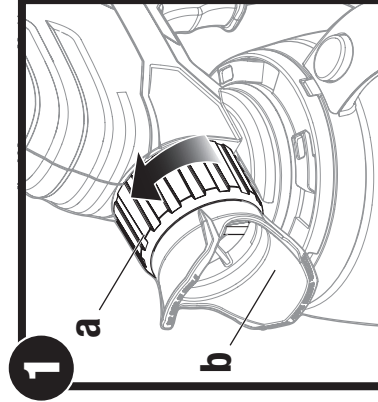


1. Keep your arm moving at constant speed and keep the sprayer at a constant distance from the surface. The spray should be triggered at the beginning of the stroke and released at the end of the stroke.

2. Keep the sprayer at a consistent distance to the surface. This means moving your entire arm back and forth rather than just flexing your wrist. Overlap each stroke by 50%.

IMPORTANT:

If a large amount of material is leaking from behind the adjustable spray tip assembly, turn off the sprayer immediately or the sprayer could be damaged. The spray will leak from behind the adjustable spray tip assembly if the tip nut is not tightened firmly. If you notice material leaking from this area, follow the steps below.



1. **Unplug the sprayer immediately.**

Remove the adjustable spray tip assembly.

2. Remove the atomizer valve and see if it needs to be cleaned or replaced (see page 18).

Also check the pump housing opening for any dirt or other obstruction and clean if necessary.

3. Put the atomizer valve back in place, making sure it can seat properly without any obstruction.

Thread on the adjustable spray tip assembly by turning the tip nut clockwise and tighten firmly by hand.