



OLYMPIA FAUCETS, INC.
3325 S. Garfield Ave.
Commerce, CA 90040
(888) 772-7701
www.olympiafaucets.com

INSTALLATION

Tools:



Adjustable Wrench



Plumbers Putty



Teflon Tape



Rags

Model Number: P-1131T



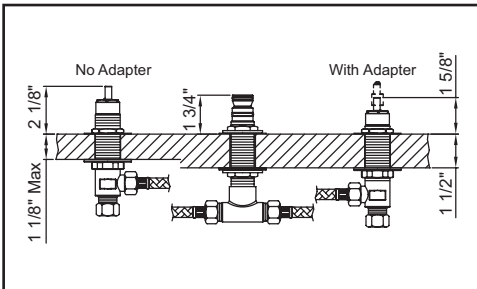
Warnings and Notes:

Check with local plumbing code requirements before installation.
This product should be installed by a local listed plumber.

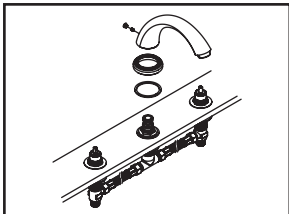
Do not use plumbers putty on threads.

Installation Steps:

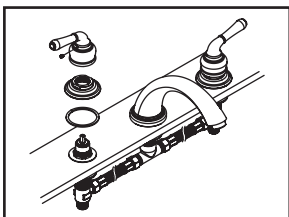
Two Handle Roman Tub Trim Set



(1) Remove the guards, make necessary adjustment if the top of the shank and the tip of stem above finished surface do not follow the required heights.



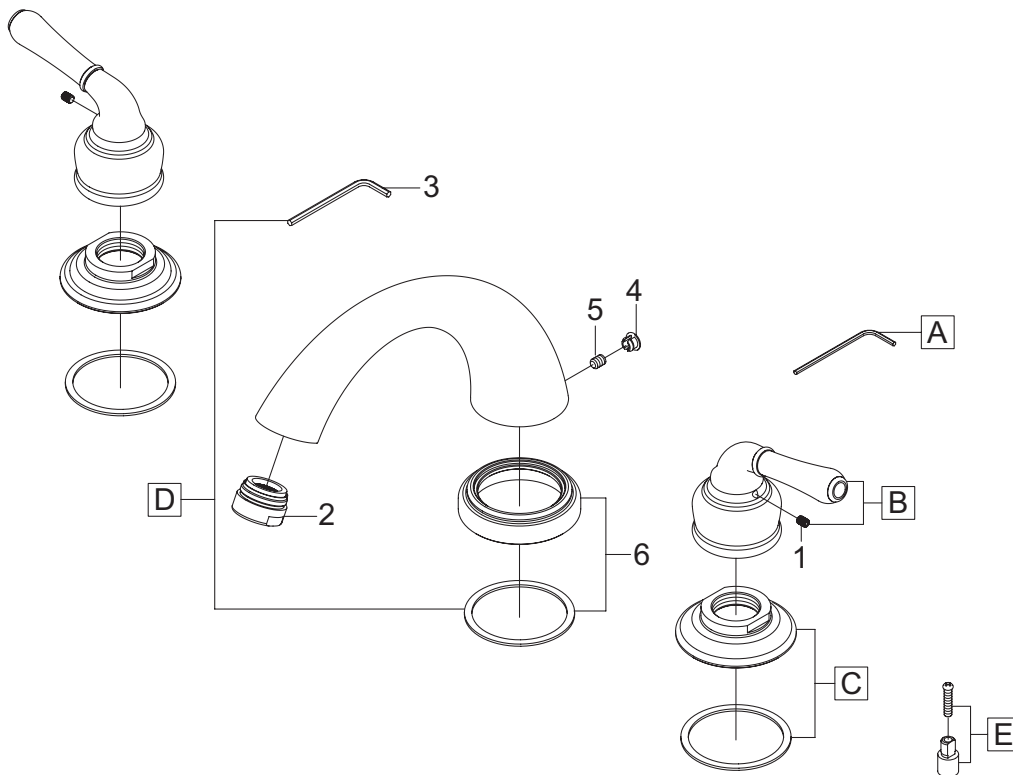
(2) Remove shank's test plug. Place spout escutcheon with gasket over top of shank. Carefully insert spout onto shank to avoid damaging O-rings on the shank. Make sure spout and spout escutcheon rest properly on finished surface. Secure spout by tightening Allen screw using supplied Allen wrench. Place button over Allen screw hole.



(3) Thread valve escutcheon with gasket onto valve, install lever handle on valve and tighten Allen screw with help of supplied Allen wrench. Install the other side of valve escutcheon and lever handle in the same way. Remove streamer, turn on handles to run water for one minute, check any leaks, replace streamer.

Exploded Drawing:

	ITEM #	DESCRIPTION
A	OP-490011	3/32" Allen Wrench
B	OP-140007	Lever Handle
C	OP-440031	Valve Escutcheon
D	OP-240007	Spout
E	OP-490044	Handle Adapter
1	OP-490029	Allen Screw
2	OP-440027	Male Thread Streamer
3	OP-490036	1/8" Allen Wrench
4	OP-440028	Button
5	OP-440029	Allen Screw
6	OP-440030	Spout Escutcheon



For more care information or trouble shooting inquiries about your Olympia product, Please call:
OLYMPIA FAUCETS, INC. (888) 772-7701
 Monday-Friday 8 AM to 8 PM EST (5 AM to 5 PM PST)
www.olympiafaucets.com