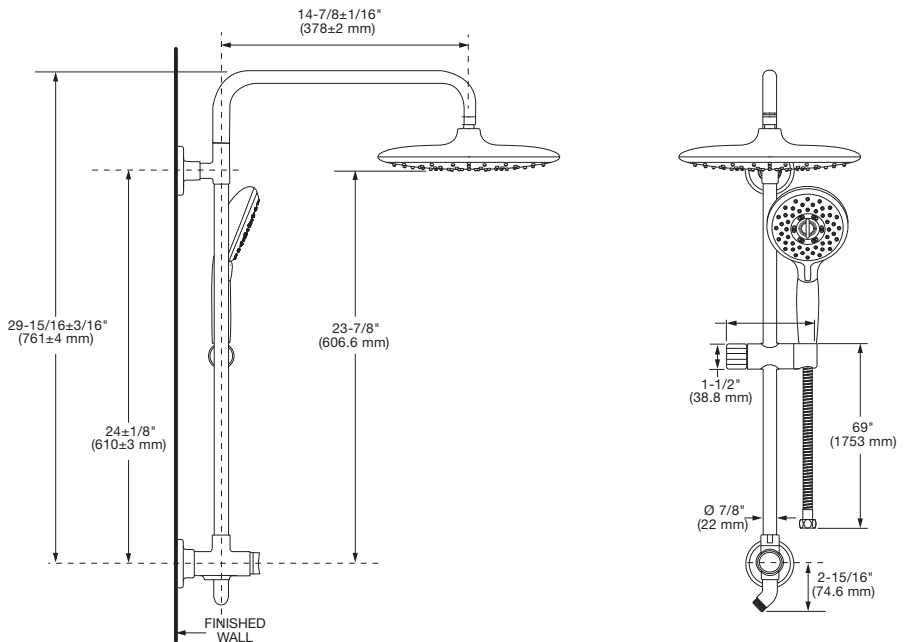


**MODEL NUMBER:**

☐ **9035804 Shower System Kit 2.5 version**

Includes:

- Spectra+™ 4 Function Hand Shower
- Spectra+™ 11" Rain shower head
- 3-Function Push-Button Diverter
- Slide Bar with Easy Glide Holder
- 69" Hose



**GENERAL DESCRIPTION:**

Complete shower system kit includes: 24" (610 mm) shower system; 69" (1750 mm) shower hose; a Spectra handheld water saving hand shower. 5" (127 mm) Hand shower adjusts from Drench to Sensitive to Powerwash® to Massage. Slide bar features an adjustable shower holder which can be set at any height or position along the bar and angle up to 45°. Kit includes two check valves to prevent backflow. 3-Function Push-Button Diverter or 11" Rain shower head.

**PRODUCT FEATURES:**

**3-Function Push-Button Diverter:**

Switch between showerhead and hand shower for use alone or together.

**Shower Hose:** Extra-long 69" hose is made of durable metal.

**HAND SHOWER**

**Variety of Spray Functions:** Allows the user to select the spray functions best suited to their needs.

**SLIDE BAR**

**Simple Height Adjustment:** Allows positioning of the personal shower anywhere along the bar.

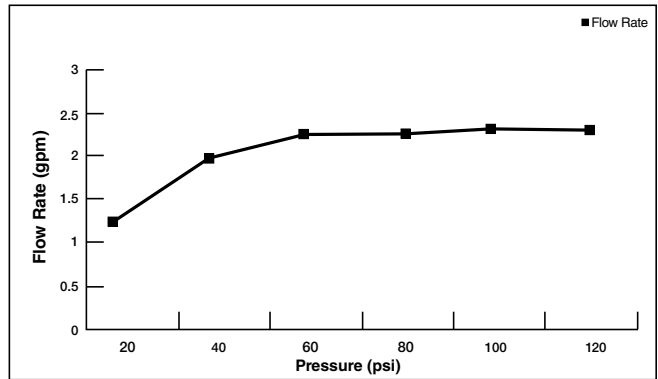
**SUGGESTED SPECIFICATION**

Shower system shall feature a 69" hose and hand shower and rain shower head. Shower system shall have a pressure compensating control device. Kit shall include two check valves to prevent backflow. Fitting shall be American Standard Model # 9035804.002.

**CODES AND STANDARDS**

These products meet or exceed the following codes and standards:

**ASME A112.18.1**  
**CSA B125.1**



Product Number	Description	Finish		
		Polished Chrome	Brushed Nickel	Legacy Bronze
		002	295	278
9035804	Spectra Versa™ 24" Shower System Kit. Contains Spectra+™ hand shower and 69" hose. And Spectra+ rain shower head.			