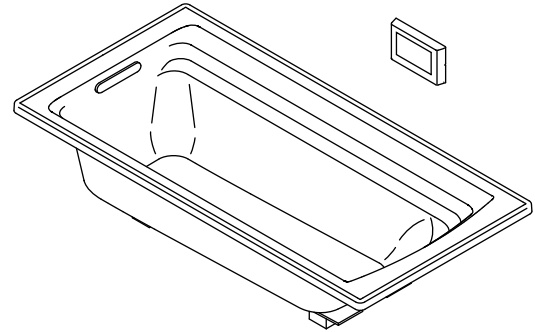


### Features

- Acrylic with textured bottom surface
- VibrAcoustic technology emits sound waves and offers a surround sound experience
- Six transducers and a control amplifier with 25' (7.6 m) of wiring
- User-friendly high-resolution color touch screen in polished chrome
- Bask™ heated surface with three temperature settings
- Slotted overflow for maximum bathing depth
- Comfort Depth® design offers a 19" (483 mm) step-over height
- Molded lumbar support and armrests for comfort
- Drop-in installation
- Left or right drain
- 72" (1829 mm) x 36" (914 mm) x 19" (483 mm)

### 6' VIBRACOUSTIC® BATH WITH BASK HEATED SURFACE K-1124-VBW

ADA



### Codes/Standards Applicable

Specified model meets or exceeds the following:

- ADA
- CSA B45.5/IAPMO Z124
- ICC/ANSI A117.1
- ASTM E162
- ASTM E662
- UL 1795

### Colors/Finishes

- 0: White
- CP: Polished Chrome
- BN: Brushed Nickel
- Other: Refer to Price Book for additional colors/finishes

### Specified Model

| Model                       | Description   | Colors/Finishes             |                                     |
|-----------------------------|---|-----------------------------|-------------------------------------|
| K-1124-VBW                  | 6' VibrAcoustic drop-in bath with Bask heated surface                   | <input type="checkbox"/> 0  | <input type="checkbox"/> Other_____ |
| <b>Required Accessories</b> |   |                             |                                     |
| K-7271                      | Clearflo slotted overflow brass bath drain <b>OR</b>                    | <input type="checkbox"/> CP | <input type="checkbox"/> Other_____ |
| K-7272                      | Clearflo slotted overflow bath drain - PVC pipe                         | <input type="checkbox"/> CP | <input type="checkbox"/> Other_____ |
| 1172315                     | <b>Optional</b> - VibrAcoustic interface mounting plate (non-CP finish) |                             | <input type="checkbox"/> BN         |
| K-1491                      | <b>Optional</b> - Bath pillow ( <b>Continued</b> )                      | <input type="checkbox"/> 0  | <input type="checkbox"/> Other_____ |

### Product Specification

The acrylic VibrAcoustic bath shall be 72" (1829 mm) in length, 36" (914 mm) in width, and 19" (483 mm) in height. Bath shall be for drop-in installation. Bath shall feature VibrAcoustic technology offering a surround sound experience. Bath shall have six transducers and a control amplifier with 25' (7.6 m) of wiring. Bath shall feature user-friendly high-resolution color touch screen in polished chrome. Bath shall feature Bask heated lumbar support with three temperature settings. Bath shall have molded lumbar support and armrests for comfort. Bath shall feature a textured bottom surface. Bath shall have slotted overflow for maximum bathing depth and features a Comfort Depth design for a 19" (483 mm) step-over height. Bath shall feature a left or right drain. Bath shall be Kohler Model K-1124-VBW-\_\_\_\_\_.

# ARCHER®

K-9529

(Continued) Optional - Removable bath seat

□ 0

## Technical Information

|  |                                      |       |          |       |
|--|--------------------------------------|-------|----------|-------|
| Fixture: Approx. measurements for comparison only. |                                      |       |          |       |
| Basin area, bottom                                 | 51-3/8" (1305 mm) x 21" (533 mm)     |       |          |       |
| Basin area, top                                    | 64-1/2" (1638 mm) x 30-1/2" (775 mm) |       |          |       |
| Weight   | 86 lbs (39 kg)                       |       |          |       |
| Water depth  | 15" (381 mm) to overflow             |       |          |       |
| Capacity   | 72 gal (272.5 L) to overflow         |       |          |       |
| Drop-in cutout                                     | 70-1/2" (1791 mm) x 34-1/2" (876 mm) |       |          |       |
| Amplifier/control:                                 | 15 W (per channel)                   | 120 V | 50/60 Hz | -     |
| Heater:  | 65 W                                 | 120 V | 60 Hz    | 1.1 A |

## Required Electrical Service

Dedicated circuit required, protected with Class A Ground-Fault Circuit-Interrupter (GFCI) or Residual Current Device (RCD): 120 V, 15 A, 50/60 Hz

## Installation Notes

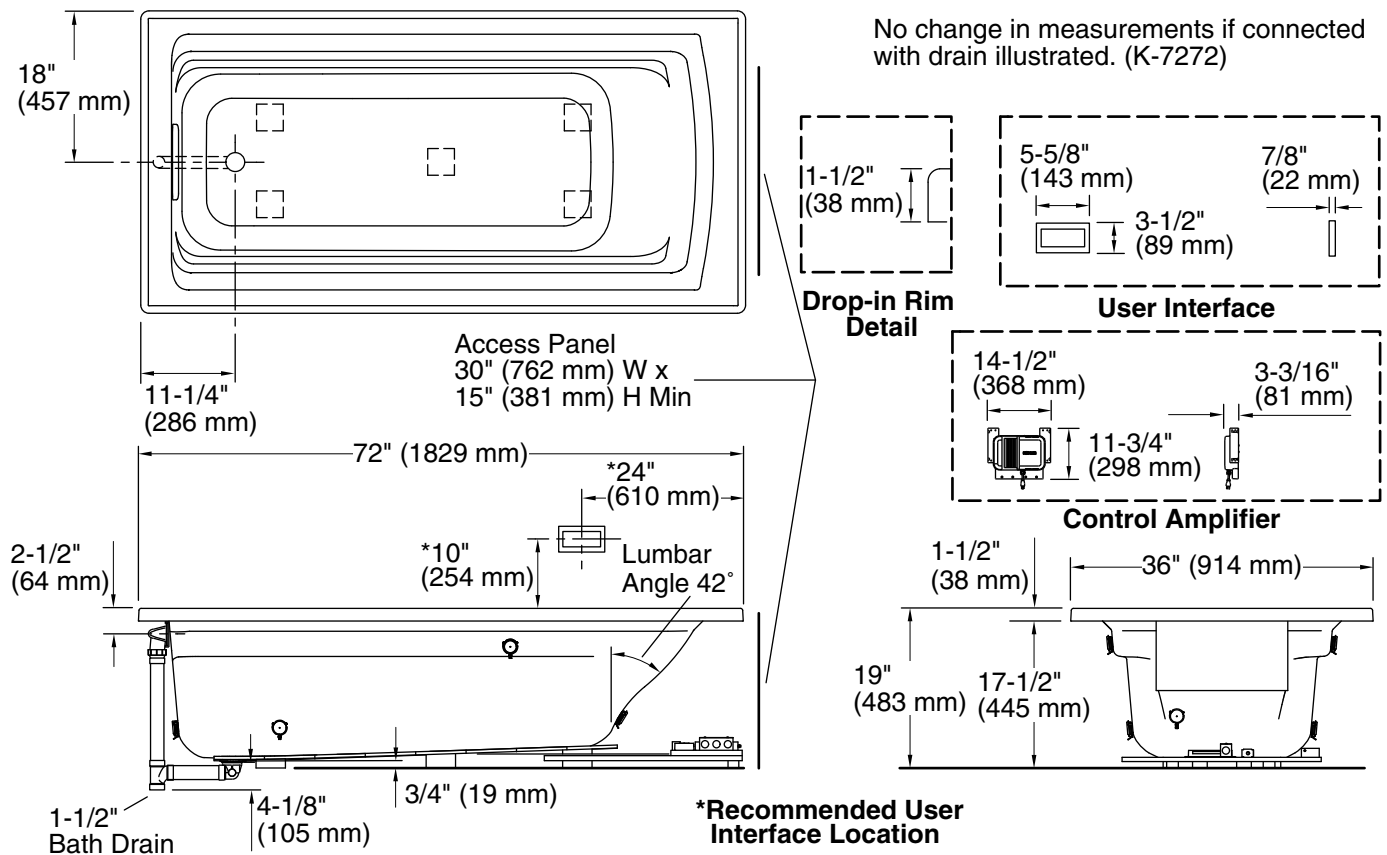
Install this product according to the installation guide. Ensure that the interface, amplifier, and transducers are functional before completing the installation.

Control amplifier fits 16" (406 mm) center studs. 25' (7.6 m) cables are included.

Locate the bath within 24" (610 mm) of a GFCI-protected 120 V, 15 A grounded electrical outlet. A second grounded outlet within the wall framing must be within 24" (610 mm) of the planned control amplifier. One electrical service may be used for the entire bath and related electrical components.

Floor support under this product must provide for a minimum of 39 lbs/square foot (190.4 kg/square meter) loading.

Will comply with **ADA** when installed per Section 607 Bathtubs of the 2010 ADA Standards for Accessible Design.



## Product Diagram