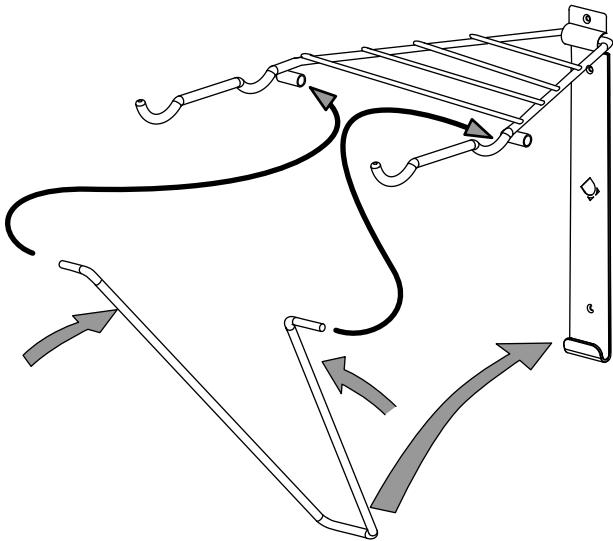
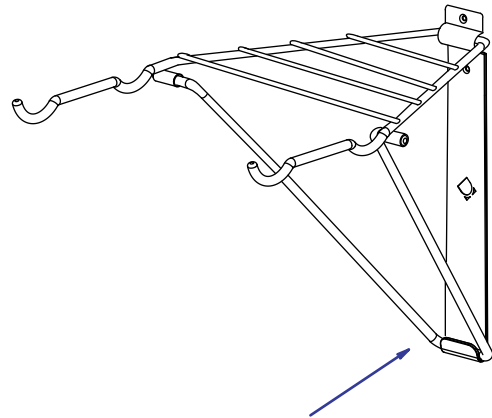


1

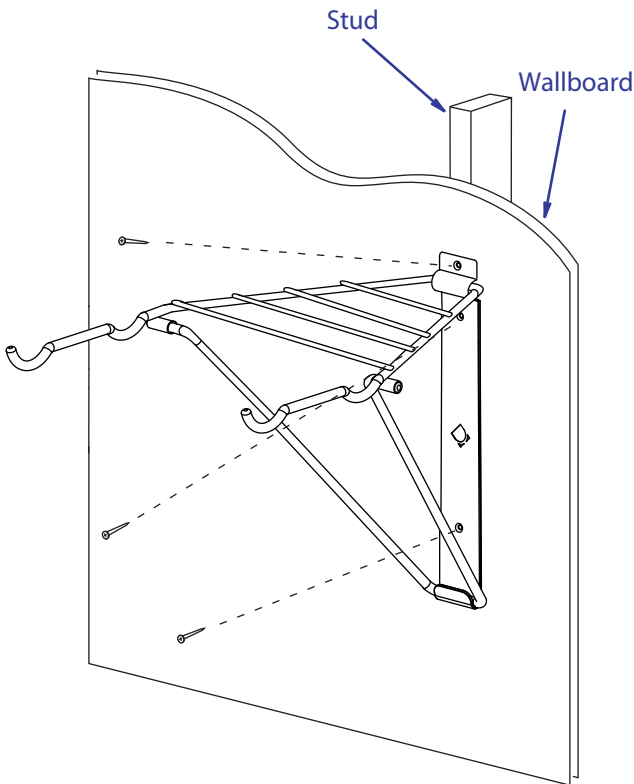


2



NOTE: Make sure the bracket is securely placed in cradle.

3



1. Locate Stud beneath wallboard.
2. Position Shelf at desired height and screw into place.
(screws should be in center of Wall Stud)

NOTE: Make sure the Shelf is level when mounting.

IMPORTANT WARNINGS:

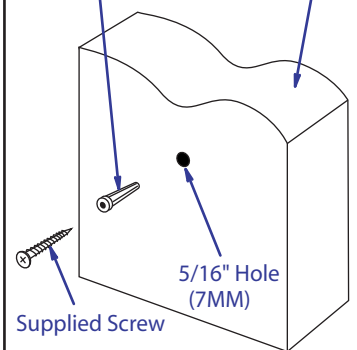
DO NOT EXCEED MAXIMUM
TOTAL WEIGHT LIMIT OF
65 LBS (30 Kgs)

Incorrect wall mounting
could result in items
falling and injury to persons.

Solid Wall Installation

Mark Mounting Points accurately
on wall BEFORE drilling any holes.

Plastic Expander is
inserted into wall Solid Wall



theartofstorage™

Delta Design Company
125 Washington St. Unit #7
Foxborough, MA 02035 USA

PABLO RS5103
ASSEMBLY DIAGRAM

© Copyright 2011