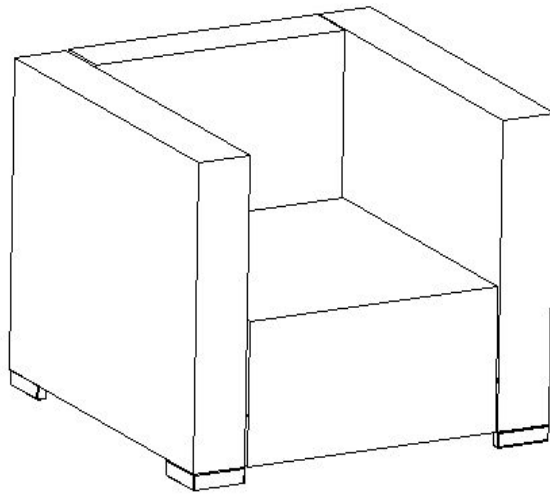


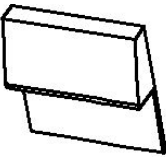
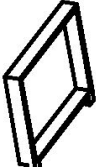
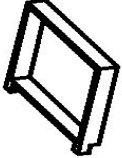
# Assembly Instructions

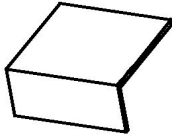

**Caution : You must read this before you proceed**

## Chair








### Parts List

Label	Picture	Description	QTY
A		Chair Back	1
B		Left Armrest	1
C		Right Armrest	1

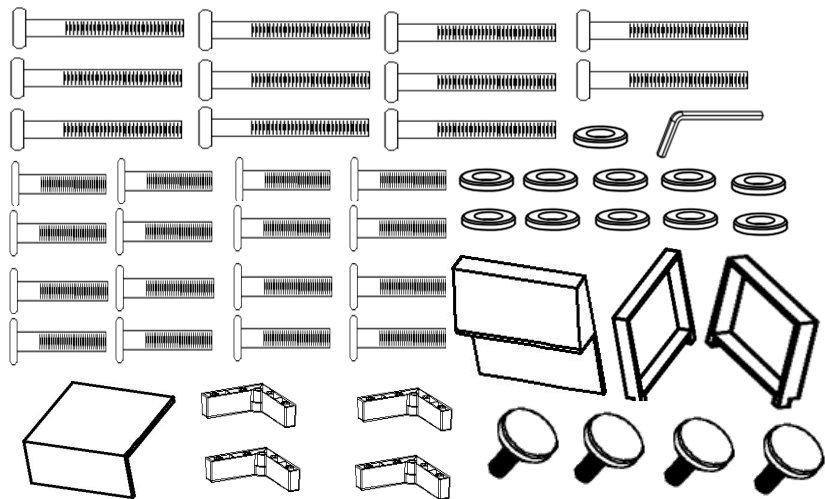
D		Chair Seat	1
J		Foot	4

## Hardware

Label	Picture	Description	QTY
E		Washer Rings	11
F		Bolts M6*60mm	11
G		Bolts M6*25mm	16
H		Allen Key	1
I		Foot Leveller	4

## Assembly Preparation

Before Beginning Assembly:



- Read instructions, cover to cover-



- Have 2 adults on hand for assembly-



- Do not assemble on flooring or carpet-



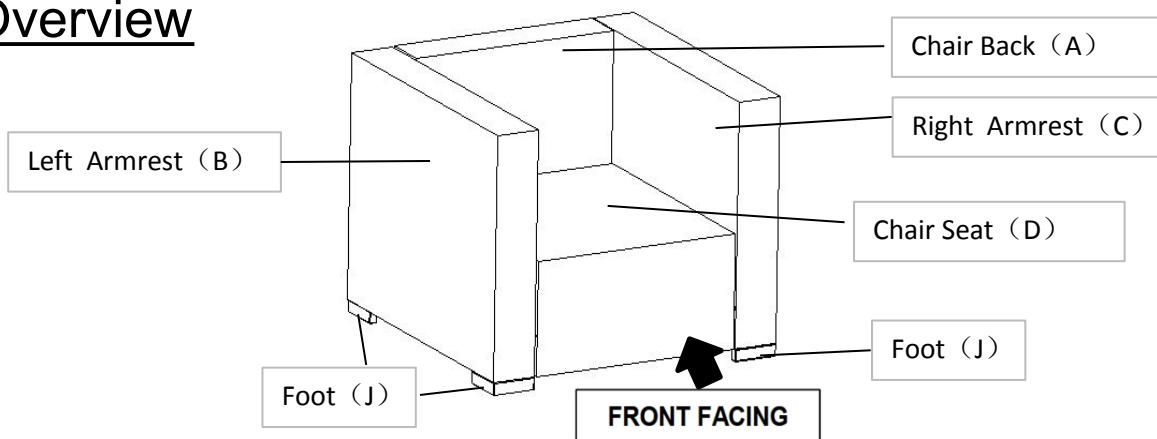
- Assemble on a clean non-marring surface (packing foam)-



- Save all packaging until finished-

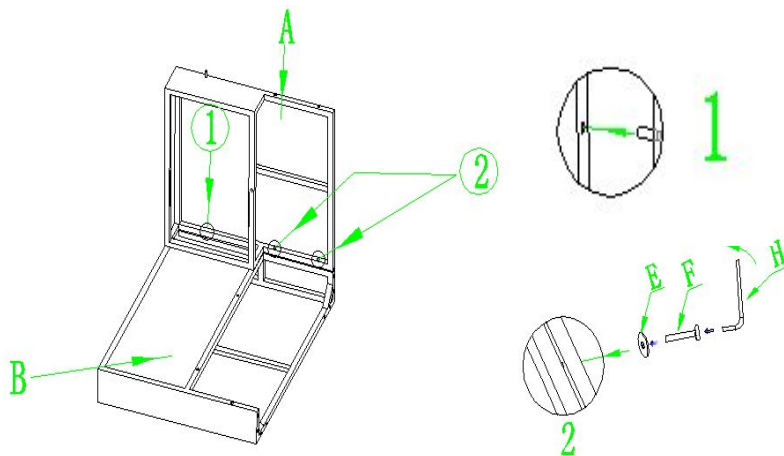
# Assembly Steps

## Overview



This Chair has multiple parts and may require up to some 30 minutes to assemble. To give you an overview of the Chair parts, the above picture is to help you put the various parts into perspective. Please read through the instructions herebelow to familiarise yourself with the parts and steps before assembly.

## Step 1



Open the carton and place all the parts onto a clean and soft surface.  
Unpack all packages of hardware.

Place the Left Arm (B) with its inside facing skywards .

Place the Chair Back (A) against the Left Arm (B).

Insert the metal rod on the Chair Back(A) into the corresponding position in the Left Arm(B), as picture 1 shows.

Then lock the other two corresponding points with the hardware, as picture 2 shows.

Use an Allen key(H) to partially tighten these.

**Do not fully Tighten at this stage.**

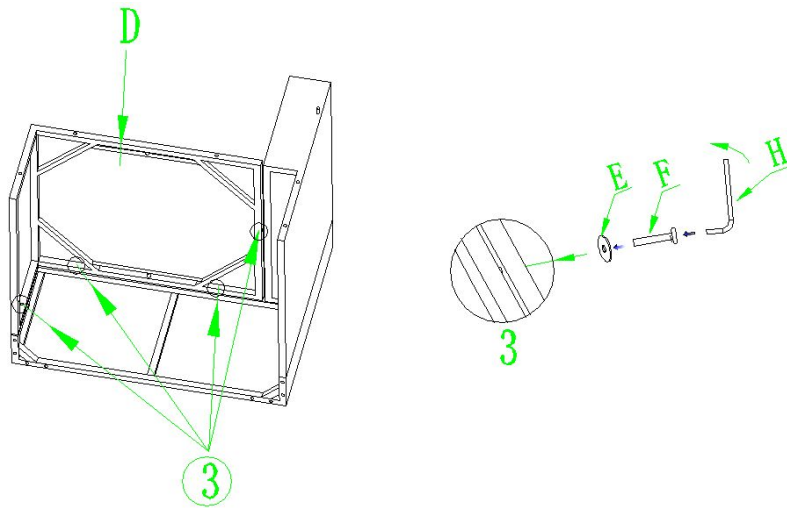
**There may be some PE wicker that may have covered the bolt positioning points.**

**To ease assembly, guide and slide the PE wicker away from these positioning points.**

**DO NOT CUT AWAY ANY PE WICKER as this would cause the wicker to unravel !**

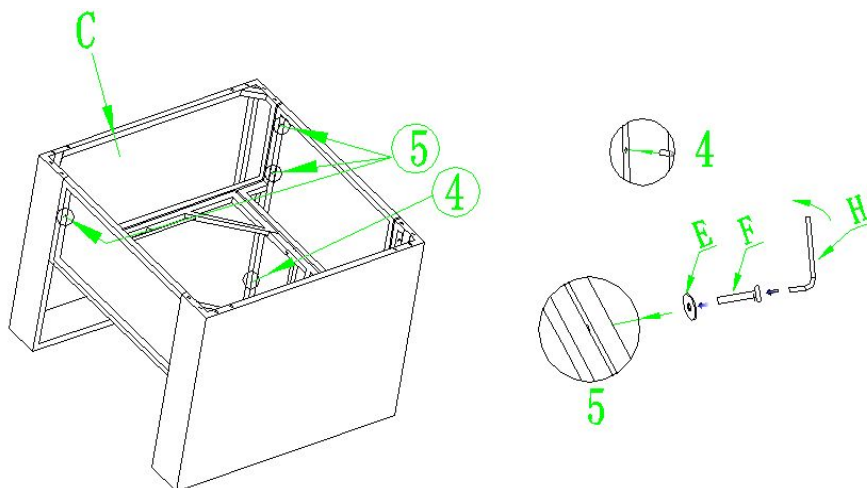
# Assembly Steps

## Step 2



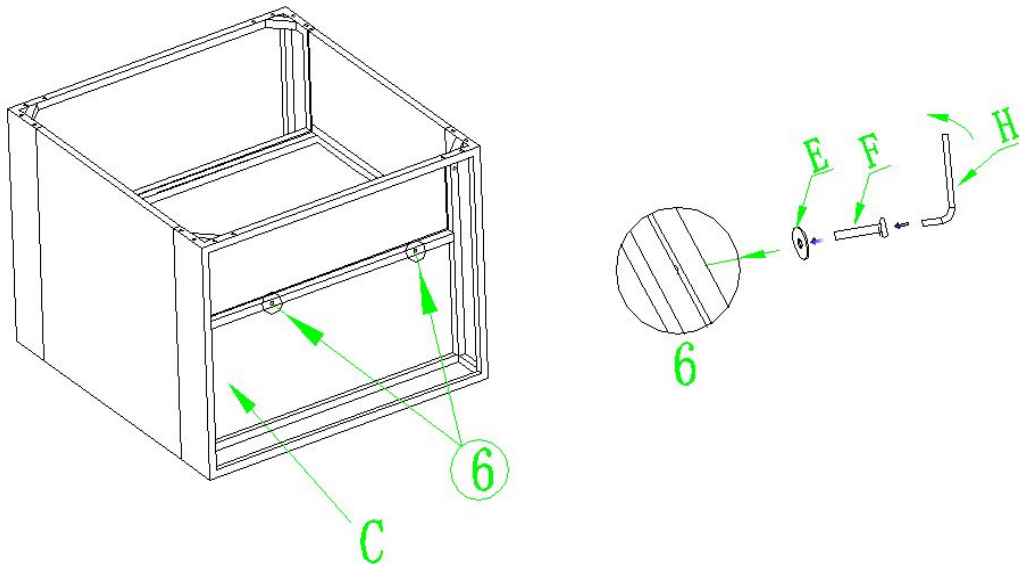
Place the Chair Seat (D) between the Chair Back (A) and the Left Arm (B) .  
Then attach the Chair Seat (D) to the Chair Back (A) and the Left Arm(B) with the hardware as picture 3 shows.  
Use an Allen key(H) to tighten them.  
**Do not fully Tighten at this stage.**

## Step 3



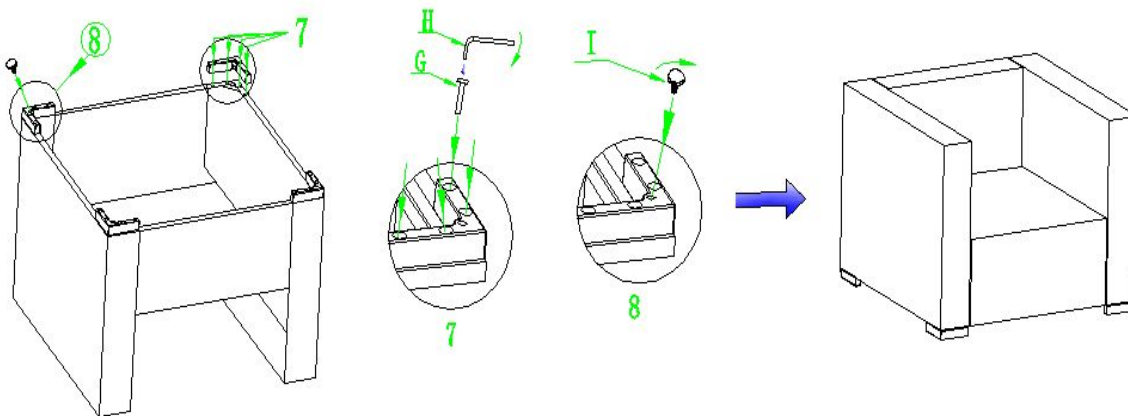
Place the Right Arm ( C ) against the Chair Back(A) and Chair Seat(D).  
Insert the metal rod on the Chair Back(A) into the corresponding point in the Right Arm(C) as picture 4 shows.  
Attach the Right Arm(C) to the Chair Back (A) and Chair Seat (D) with the hardware as picture 5 shows.  
Use an Allen key(H) to, partially, tighten bolts in place.  
**Do not fully Tighten at this stage.**

## Step 4



Attach the Right Arm(C) to the Chair Seat (D) with the hardware as picture 6 shows.  
Use the Allen Key (H) to partially tighten.  
**Do not fully Tighten at this stage.**











## Step 5



Attach the Legs(J) to the sofa as picture 7 and 8 shows.  
**Use an Allen key(H) to completely tighten all bolts.**

Your Chair is ready for use.  
The Chair can only be used on a flat and level surface.

## Care & Maintenance

-  Do not put hot items directly on furniture surface
  -  Do not clean furniture with harsh cleansers or polish.
  -  To obtain the longest lifespan of your outdoor products, minimizing exposure to direct sunlight is recommended.
  -  Children should not climb or jump on the furniture.
  -  Do not write on furniture without a padded barrier to protect the surface.
  -  To obtain the longest lifespan of your outdoor products, avoid extended and lengthy exposure to rain, snow, and direct sunshine. Whenever possible cover the product and /or place under patio or awnings.
  -  Not for commercial use. For residential use only .
  -  Stains may be removed with mild soap solution and damp cloth.
  -  Keep away from sources of ignition.
- 
-  Dust and pick-up spills using a clean, non-colored, lint-free cloth .

### What is Proposition 65?

Proposition 65 is a California law that requires warning labels on products that may contain one of more than 800-plus chemicals or ingredients that the California Office of Environmental Health Hazard Assessment (OEHHA) has deemed to cause cancer or other reproductive toxicity. Chemicals and elements on this list include wood dust, brass, and other everyday substances, which can be found in very common household items, such as: lamps, tableware, jewelry, crystal glasses, electric cords, beauty products, automobiles, and furniture.

### Why Did I Find a Proposition 65 Warning on My Home Goods Product?

We include Proposition 65 warnings on all of our products because there is always a chance that one of the 800-plus common chemicals and ingredients listed under this law could potentially be on our furniture or packing materials. We risk large fines under this law, if we don't include this warning.

### Should I worry?

We realize you may be worried finding this warning on our products, but we want to reassure you that the hazardous exposure limits for any of these chemicals have never been found on furniture products that we've shipped to our customers. Additionally, this warning label is very common and can be found on almost every piece of furniture sold in the state of California.

### Just How Common Are Proposition 65 Warnings?

Proposition 65 warnings have become so common in California that it is hard to take a trip to a local bank, grocery store, or restaurant without finding at least one warning. In fact, even the Disney Land Resort has a Proposition 65 warning:

