

Item # 1003 624 345

Model # G0401AC-US



USE AND CARE GUIDE

4 IN. x 1.25 IN. CASTER SET

Questions, problems, missing parts?

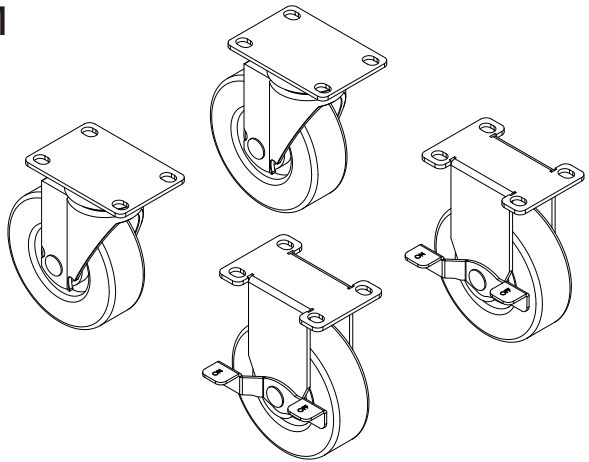
Before returning to the store, call

Husky Customer Service

8 a.m. - 5 p.m., EST, Monday - Friday

1-888-HD-HUSKY

WWW.HUSKYTOOLS.COM



Due to continuing improvements,
the actual product may differ slightly
from the product described herein.

THANK YOU

We appreciate the trust and confidence you have placed in Husky through the purchase of this caster set. We strive to continually create quality products designed to enhance your home.

Visit us online to see our full line of products available for your home improvement needs.

Thank you for choosing Husky!

Table of Contents

Table of Contents	2	Assembly	3
Safety Information	2	Maintenance	3
Warranty	2	Care and Cleaning	3
Specifications	2	Service Parts	3
Pre-Installation	2		

Safety Information

To reduce the risk of serious injury, read and follow the safety instructions below before assembling and using this product.

- This product is intended for indoor use only.
- This product is not designed for commercial nor industrial usage.



CAUTION: This caster set is for Husky 24 in. welded 2-door base cabinet and Husky 24 in. welded 1-drawer 2-door base cabinet only.



CAUTION: Check all nuts and bolts periodically for tightness. When required, tighten them again.



WARNING: Any assembly or maintenance of the product must be carried out by adults only.



WARNING: Wear safety glasses when removing or repositioning the casters. The tool could slip, causing personal injury.



CAUTION: DO NOT move the base cabinet when the casters are braked. DO NOT use casters on rough or uneven surface.



CAUTION: DO NOT over load. This may cause caster to collapse and /or base cabinet to tip over with serious personal injury, or product damage.

Warranty

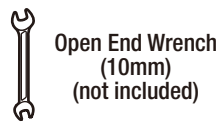
3 year Limited Warranty. This warranty excludes incidental/inconsequential damages and failures due to misuse, abuse or normal wear and tear. This full warranty gives you specific rights, and you may also have other rights, which vary state to state. Contact the customer service team at 1-888-HD-HUSKY or visit www.huskytools.com.

Specifications

Maximum load for each caster	220 lbs. / 100 kg
------------------------------	-------------------

Pre-Installation

TOOLS REQUIRED



HARDWARE INCLUDED

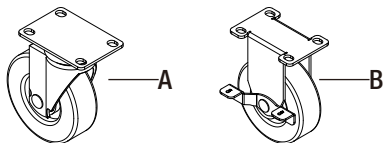
NOTE: Bolt shown to actual size.



Part	Description	Quantity
AA	M6 x 16 hex flange bolt	16

Pre-Installation (continued)

PACKAGE CONTENTS



Part	Description	Quantity
A	Swivel caster	2
B	Rigid caster	2

Assembly

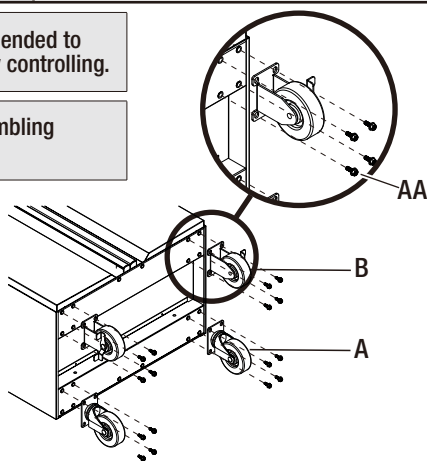


CAUTION: The brakes of the rigid casters are recommended to face towards the outside of the base cabinet for easy controlling.



CAUTION: Please wear gloves during the whole assembling process.

- Carefully lay the base cabinet on its back, with a soft mat underneath for protection.
- Position the two swivel casters (A) on the back side of the base cabinet. Insert eight M6 x 16 hex flange bolts (AA) through the casters and into the bottom of the base cabinet. Tighten securely.
- Repeat the same procedure to install the two rigid casters (B) on the front side of the base cabinet. The brakes of the rigid casters (B) should face towards the outside of the base cabinet for easy controlling.



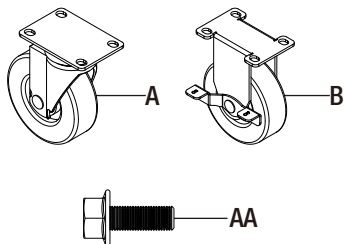
Maintenance

Check all the bolts and nuts periodically for tightness. Tighten them when necessary.

Care and Cleaning

- Clean the caster surfaces periodically with a soft rag and water.
- Grease and oil can be removed with most standard cleaning fluids. For safety, use a nonflammable cleaning fluid.

Service Parts



Part	Replacement Part #	Description	Quantity
A	302229	Swivel caster	2
B	302230	Rigid caster	2
AA	321006	M6 x 16 hex flange bolt	16



Questions, problems, missing parts? Before returning to the store,
call Husky Customer Service
8 a.m.-5 p.m., EST, Monday-Friday

1-888-HD-HUSKY

WWW.HUSKYTOOLS.COM

Retain this manual for future use.