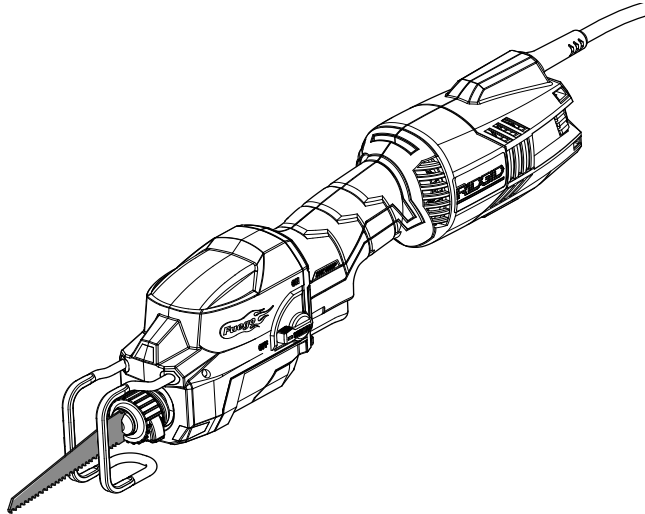


OPERATOR'S MANUAL
ONE-HANDED RECIPROCATING SAW
MANUEL D'UTILISATION
SCIE ALTERNATIVE À UNE MAIN
MANUAL DEL OPERADOR
SIERRA ALTERNATIVA PARA UNA SOLA MANO

R3031



To register your RIDGID product, please visit:
<http://register.RIDGID.com>

Pour enregistrer votre produit de RIDGID, s'il vous plaît la visite :
<http://register.RIDGID.com>

Para registrar su producto de RIDGID, por favor visita:
<http://register.RIDGID.com>

Includes: Reciprocating Saw, Saw Blade, Tool Bag, Operator's Manual

TABLE OF CONTENTS

- General Power Tool Safety Warnings2-3
- Reciprocating Saw Safety Rules3
- Symbols..... 4
- Electrical.....5
- Features.....6
- Assembly6
- Operation.....7-8
- Maintenance.....9
- Figure Numbers (Illustrations)..... 10
- Parts Ordering and ServiceBack page

Inclut : Scie alternative, lame de scie, sacoche, manuel d'utilisation

TABLE DES MATIÈRES

- Règles de sécurité relatives aux outils électriques.....2-3
- Avertissements de sécurité relatifs scie alternative3
- Symboles..... 4
- Caractéristiques électriques.....5
- Caractéristiques6
- Assemblage.....6
- Utilisation.....7-8
- Entretien9
- Figure numéros (illustrations) 10
- Commande de pièces et dépannagePage arrière

Incluye: Sierra alternativa, hoja de sierra, bolsa de herramientas, manual del operador

ÍNDICE DE CONTENIDO

- Advertencias de seguridad para herramientas eléctricas 2-3
- Advertencias de seguridad sierra alternativa.....3
- Símbolos.....4
- Aspectos eléctricos5
- Características.....6
- Armado6
- Funcionamiento 7-8
- Mantenimiento.....9
- Figura numeras (ilustraciones)..... 10
- Pedidos de piezas y servicioPág. posterior

⚠ WARNING:

To reduce the risk of injury, the user must read and understand the operator's manual before using this product.

⚠ AVERTISSEMENT :

Pour réduire les risques de blessures, l'utilisateur doit lire et veiller à bien comprendre le manuel d'utilisation avant d'utiliser ce produit.

⚠ ADVERTENCIA:

Para reducir el riesgo de lesiones, el usuario debe leer y comprender el manual del operador antes de usar este producto.

SAVE THIS MANUAL FOR FUTURE REFERENCE

CONSERVER CE MANUEL POUR FUTURE RÉFÉRENCE

GUARDE ESTE MANUAL PARA FUTURAS CONSULTAS

GENERAL POWER TOOL SAFETY WARNINGS

WARNING

Read all safety warnings and all instructions. Failure to follow the warnings and instructions may result in electric shock, fire and/or serious injury.

Save all warnings and instructions for future reference. The term “power tool” in the warnings refers to your mains-operated (corded) power tool or battery-operated (cordless) power tool.

WORK AREA SAFETY

- **Keep work area clean and well lit.** Cluttered or dark areas invite accidents.
- **Do not operate power tools in explosive atmospheres, such as in the presence of flammable liquids, gases or dust.** Power tools create sparks which may ignite the dust or fumes.
- **Keep children and bystanders away while operating a power tool.** Distractions can cause you to lose control.

ELECTRICAL SAFETY

- **Power tool plugs must match the outlet. Never modify the plug in any way. Do not use any adapter plugs with earthed (grounded) power tools.** Unmodified plugs and matching outlets will reduce risk of electric shock.
- **Avoid body contact with earthed or grounded surfaces such as pipes, radiators, ranges and refrigerators.** There is an increased risk of electric shock if your body is earthed or grounded.
- **Do not expose power tools to rain or wet conditions.** Water entering a power tool will increase the risk of electric shock.
- **Do not abuse the cord. Never use the cord for carrying, pulling or unplugging the power tool. Keep cord away from heat, oil, sharp edges or moving parts.** Damaged or entangled cords increase the risk of electric shock.
- **When operating a power tool outdoors, use an extension cord suitable for outdoor use.** Use of a cord suitable for outdoor use reduces the risk of electric shock.
- **If operating a power tool in a damp location is unavoidable, use a ground fault circuit interrupter (GFCI) protected supply.** Use of a GFCI reduces the risk of electric shock.

PERSONAL SAFETY

- **Stay alert, watch what you are doing and use common sense when operating a power tool. Do not use a power tool while you are tired or under the influence of drugs, alcohol or medication.** A moment of inattention while operating power tools may result in serious personal injury.
- **Use personal protective equipment. Always wear eye protection.** Protective equipment such as dust mask, non-skid safety shoes, hard hat, or hearing protection used for appropriate conditions will reduce personal injuries.

- **Prevent unintentional starting. Ensure the switch is in the off-position before connecting to power source and/or battery pack, picking up or carrying the tool.** Carrying power tools with your finger on the switch or energising power tools that have the switch on invites accidents.
- **Remove any adjusting key or wrench before turning the power tool on.** A wrench or a key left attached to a rotating part of the power tool may result in personal injury.
- **Do not overreach. Keep proper footing and balance at all times.** This enables better control of the power tool in unexpected situations.
- **Dress properly. Do not wear loose clothing or jewellery. Keep your hair, clothing and gloves away from moving parts.** Loose clothes, jewellery or long hair can be caught in moving parts.
- **If devices are provided for the connection of dust extraction and collection facilities, ensure these are connected and properly used.** Use of dust collection can reduce dust-related hazards.
- **Do not wear loose clothing or jewelry. Contain long hair.** Loose clothes, jewelry, or long hair can be drawn into air vents.
- **Do not use on a ladder or unstable support.** Stable footing on a solid surface enables better control of the power tool in unexpected situations.

POWER TOOL USE AND CARE

- **Do not force the power tool. Use the correct power tool for your application.** The correct power tool will do the job better and safer at the rate for which it was designed.
- **Do not use the power tool if the switch does not turn it on and off.** Any power tool that cannot be controlled with the switch is dangerous and must be repaired.
- **Disconnect the plug from the power source and/or the battery pack from the power tool before making any adjustments, changing accessories, or storing power tools.** Such preventive safety measures reduce the risk of starting the power tool accidentally.
- **Store idle power tools out of the reach of children and do not allow persons unfamiliar with the power tool or these instructions to operate the power tool.** Power tools are dangerous in the hands of untrained users.
- **Maintain power tools. Check for misalignment or binding of moving parts, breakage of parts and any other condition that may affect the power tool's operation. If damaged, have the power tool repaired before use.** Many accidents are caused by poorly maintained power tools.
- **Keep cutting tools sharp and clean.** Properly maintained cutting tools with sharp cutting edges are less likely to bind and are easier to control.

GENERAL POWER TOOL SAFETY WARNINGS

- **Use the power tool, accessories and tool bits etc. in accordance with these instructions, taking into account the working conditions and the work to be performed.** Use of the power tool for operations different from those intended could result in a hazardous situation.

SERVICE




- **Have your power tool serviced by a qualified repair person using only identical replacement parts.** This will ensure that the safety of the power tool is maintained.
- **When servicing a power tool, use only identical replacement parts. Follow instructions in the Maintenance section of this manual.** Use of unauthorized parts or failure to follow Maintenance instructions may create a risk of shock or injury.

RECIPROCATING SAW SAFETY WARNINGS







- **Hold power tool by insulated gripping surfaces, when performing an operation where the cutting accessory may contact hidden wiring or its own cord.** Cutting accessory contacting a “live” wire may make exposed metal parts of the power tool “live” and could give the operator an electric shock.
- **Use clamps or another practical way to secure and support the workpiece to a stable platform.** Holding the work by hand or against your body leaves it unstable and may lead to loss of control.
- **Know your power tool. Read operator’s manual carefully. Learn its applications and limitations, as well as the specific potential hazards related to this tool.** Following this rule will reduce the risk of electric shock, fire, or serious injury.
- **Always wear eye protection with side shields marked to comply with ANSI Z87.1.** Following this rule will reduce the risk of serious personal injury.
- **Protect your lungs. Wear a face or dust mask if the operation is dusty.** Following this rule will reduce the risk of serious personal injury.
- **Protect your hearing. Wear hearing protection during extended periods of operation.** Following this rule will reduce the risk of serious personal injury.
- **Inspect tool cords periodically and, if damaged, have repaired at your nearest authorized service center. Constantly stay aware of cord location.** Following this rule will reduce the risk of electric shock or fire.
- **Check damaged parts. Before further use of the tool, a guard or other part that is damaged should be carefully checked to determine that it will operate properly and perform its intended function. Check for alignment of moving parts, binding of moving parts, breakage of parts, mounting, and any other conditions that may affect its operation. A guard or other part that is damaged should be properly repaired or replaced by an authorized service center.** Following this rule will reduce the risk of shock, fire, or serious injury.
- **Make sure your extension cord is in good condition. When using an extension cord, be sure to use one heavy enough to carry the current your product will draw. A wire gauge size (A.W.G.) of at least 14 is recommended for an extension cord 50 feet or less in length. A cord exceeding 100 feet is not recommended. If in doubt, use the next heavier gauge. The smaller the gauge number, the heavier the cord. An undersized cord will cause a drop in line voltage resulting in loss of power and overheating.**
- **Inspect for and remove all nails from lumber before using this tool.** Following this rule will reduce the risk of serious personal injury.
- **If the power supply cord is damaged, it must be replaced only by the manufacturer or by an authorized service center to avoid risk.**
- **Save these instructions.** Refer to them frequently and use them to instruct others who may use this product. If you loan someone this product, loan them these instructions also.

SYMBOLS

The following signal words and meanings are intended to explain the levels of risk associated with this product.

| SYMBOL | SIGNAL | MEANING |
|---|-----------------|--|
|  | DANGER: | Indicates a hazardous situation, which, if not avoided, will result in death or serious injury. |
|  | WARNING: | Indicates a hazardous situation, which, if not avoided, could result in death or serious injury. |
|  | CAUTION: | Indicates a hazardous situation, that, if not avoided, may result in minor or moderate injury. |
| | NOTICE: | (Without Safety Alert Symbol) Indicates information considered important, but not related to a potential injury (e.g. messages relating to property damage). |

Some of the following symbols may be used on this product. Please study them and learn their meaning. Proper interpretation of these symbols will allow you to operate the product better and safer.

| SYMBOL | NAME | DESIGNATION/EXPLANATION |
|---|------------------------|--|
|  | Safety Alert | Indicates a potential personal injury hazard. |
|  | Read Operator's Manual | To reduce the risk of injury, user must read and understand operator's manual before using this product. |
|  | Eye Protection | Always wear eye protection with side shields marked to comply with ANSI Z87.1. |
|  | Wet Conditions Alert | Do not expose to rain or use in damp locations. |
|  | No Hands Symbol | Failure to keep your hands away from the blade will result in serious personal injury. |
| V | Volts | Voltage |
| A | Amperes | Current |
| Hz | Hertz | Frequency (cycles per second) |
| min | Minutes | Time |
| ~ | Alternating Current | Type of current |
| n_0 | No Load Speed | Rotational speed, at no load |
|  | Class II Tool | Double-insulated construction |
| .../min | Per Minute | Revolutions, strokes, surface speed, orbits etc., per minute |

ELECTRICAL

DOUBLE INSULATION

Double insulation is a concept in safety in electric power tools, which eliminates the need for the usual three-wire grounded power cord. All exposed metal parts are isolated from the internal metal motor components with protecting insulation. Double insulated tools do not need to be grounded.

WARNING:

The double insulated system is intended to protect the user from shock resulting from a break in the tool's internal wiring. Observe all normal safety precautions to avoid electrical shock.

NOTE: Servicing of a product with double insulation requires extreme care and knowledge of the system and should be performed only by a qualified service technician. For service, we suggest you return the tool to your nearest authorized service center for repair. Always use original factory replacement parts when servicing.

ELECTRICAL CONNECTION

This tool has a precision-built electric motor. It should be connected to a power supply that is **120 volts, AC only (normal household current), 60 Hz**. Do not operate this tool on direct current (DC). A substantial voltage drop will cause a loss of power and the motor will overheat. If the tool does not operate when plugged into an outlet, double-check the power supply.

EXTENSION CORDS

When using a power tool at a considerable distance from a power source, be sure to use an extension cord that has the capacity to handle the current the product will draw. An undersized cord will cause a drop in line voltage, resulting in overheating and loss of power. Use the chart to determine the minimum wire size required in an extension cord. Only round jacketed cords listed by Underwriter's Laboratories (UL) should be used.

When working outdoors with a product, use an extension cord that is designed for outside use. This type of cord is designated with "W-A" or "W" on the cord's jacket.

Before using any extension cord, inspect it for loose or exposed wires and cut or worn insulation.

**Ampere rating (on product data plate)

| Cord Length | Wire Size (A.W.G.) | | | | | |
|-------------|--------------------|---------|---------|---------|----------|-----------|
| | 0-2.0 | 2.1-3.4 | 3.5-5.0 | 5.1-7.0 | 7.1-12.0 | 12.1-16.0 |
| 25' | 16 | 16 | 16 | 16 | 14 | 14 |
| 50' | 16 | 16 | 16 | 14 | 14 | 12 |
| 100' | 16 | 16 | 14 | 12 | 10 | — |

**Used on 12 gauge - 20 amp circuit.

NOTE: AWG = American Wire Gauge

WARNING:

Keep the extension cord clear of the working area. Position the cord so that it will not get caught on lumber, tools, or other obstructions while you are working with a power tool. Failure to do so can result in serious personal injury.

WARNING:

Check extension cords before each use. If damaged replace immediately. Never use tool with a damaged cord since touching the damaged area could cause electrical shock resulting in serious injury.

FEATURES

PRODUCT SPECIFICATIONS

Switch..... Variable Speed
Stroke Length..... 1/2 in.
No Load Speed0-3,500 r/min. (RPM)

Input 120 V, AC only, 60 Hz, 6 Amps
Net Weight..... 4.4 lbs.

KNOW YOUR RECIPROCATING SAW

See Figure 1, page 10.

The safe use of this product requires an understanding of the information on the product and in this operator's manual as well as a knowledge of the project you are attempting. Before use of this product, familiarize yourself with all operating features and safety rules.

BARREL-STYLE GRIP

The barrel-style grip of this saw is designed for one-handed use only.

LED LIGHTS

The saw has built-in LED worklights that illuminate when the switch trigger is depressed. This feature is convenient when working in close or tight areas where additional light is needed.

ORBITAL ACTION SELECTOR

Use the orbital action selector to select either a linear stroke or orbital cutting action. A linear stroke is best for making smooth cuts or when cutting metal while orbital action is best for making a faster cut in wood.

TOOLLESS BLADE CLAMP

Your saw has a blade clamp design that does not require the use of a tool (blade wrench) when installing or removing the blade.

VARIABLE SPEED SWITCH TRIGGER

The variable speed switch delivers higher speed with increased trigger pressure and lower speed with decreased trigger pressure.

ASSEMBLY

UNPACKING

This product has been shipped completely assembled.

- Carefully remove the product and any accessories from the box. Make sure that all items listed in the packing list are included.

WARNING:

Do not use this product if it is not completely assembled or if any parts appear to be missing or damaged. Use of a product that is not properly and completely assembled could result in serious personal injury.

-
- Inspect the product carefully to make sure no breakage or damage occurred during shipping.
 - Do not discard the packing material until you have carefully inspected and satisfactorily operated the product.
 - If any parts are damaged or missing, please call 1-866-539-1710 for assistance.

WARNING:

Do not attempt to modify this product or create accessories not recommended for use with this product. Any such alteration or modification is misuse and could result in a hazardous condition leading to possible serious personal injury.

WARNING:

Do not connect to power supply until assembly is complete. Failure to comply could result in accidental starting and possible serious personal injury.

OPERATION

WARNING:

Do not allow familiarity with this product to make you careless. Remember that a careless fraction of a second is sufficient to inflict serious injury.

WARNING:

Always wear eye protection with side shields marked to comply with ANSI Z87.1. Failure to do so could result in objects being thrown into your eyes resulting in possible serious injury.

WARNING:

Do not use any attachments or accessories not recommended by the manufacturer of this product. The use of attachments or accessories not recommended can result in serious personal injury.

APPLICATIONS

You may use this product for the purposes listed below:

- Cutting all types of wood products (lumber, plywood, paneling, composition board, and hard wood)
- Cutting masonite and plastic
- Cutting drywall
- Cutting metals such as sheet steel, pipe, steel rods, aluminum, brass, and copper

SELECTING BLADES

Selecting the correct type of blade is important in order to obtain the best performance from the saw. Select the blade based on the application and on the material you wish to cut. Selecting the right blade will give you a smoother, faster cut and prolong the life of the blade.

Blades with fewer teeth, 10 teeth per inch (TPI) are typically used for cutting wood, while blades with more teeth are better for cutting metal or plastic. We recommend 14 TPI for plastics and soft metals and 18 TPI for hard metals.

WARNING:

This saw should not be used for pruning or with a pruning blade. Failure to heed this warning could cause loss of control and can result in possible serious injury.

INSTALLING/REMOVING BLADE

See Figure 2, page 10.

- Unplug the saw.
- Rotate the blade clamp counterclockwise and hold to open.
- Insert saw blade until it is fully seated.
NOTE: Blade can be installed with teeth facing either up or down.
- Release the blade clamp to secure.
- To remove the blade, rotate the blade clamp counterclockwise.

TURNING THE SAW ON/OFF

See Figure 3, page 10.

- **To turn the saw on:** Depress the switch trigger.
- **To turn the saw off:** Release the switch trigger.

VARIABLE SPEED

See Figure 3, page 10.

The variable speed switch trigger delivers higher speed with increased trigger pressure and lower speed with decreased trigger pressure.

WARNING:

Cutting into electrical wiring in walls can cause metal surfaces of the saw to become electrically live. Do not touch metal parts when cutting into a wall; grasp only the insulated gripping surfaces provided on the tool. Make sure hidden electrical wiring, water pipes, and mechanical hazards are not in the blade path when cutting into a wall.

ORBITAL ACTION SELECTOR

See Figure 4, page 10.

Use the orbital action selector to select either a linear stroke or orbital cutting action.

NOTE: Do not use the orbital action setting when using a metal cutting blade.

- For linear cutting, turn the selector to the “OFF” position.
- For orbital cutting action, turn the selector to the “ON” position.

NOTE: To prevent damage to the tool, always allow motor to come to a complete stop before using the orbital action selector.

OPERATION

OPERATING THE SAW

See Figures 5 - 6, page 10.

- Secure the workpiece to a work bench or table with a vise or with clamps.
- Mark the line of cut clearly.
- Make sure the saw blade is clear of any foreign material and that the power cord and extension cord are out of the blade path.
- Hold the saw firmly in front of and clearly away from you.

NOTE: The barrel-style grip of this saw is designed for one-handed use only. Keep your other hand away from the saw and the cutting area of the workpiece.

- Depress the switch trigger to start the cutting action.
- Set the shoe assembly against the workpiece.
- Move the blade into the workpiece.

NOTE: Do not force. Use only enough pressure to keep the saw cutting. Let the blade and saw do the work. Keep pressure on the base, against the workpiece.

PLUNGE CUTTING WOOD OR WALL BOARD

See Figure 7, page 10.

- Secure the workpiece to a work bench or table with a vise or with clamps.
- Mark the line of cut clearly.
- Make sure the saw blade is clear of any foreign material and that the power cord and extension cord are out of the blade path.
- Hold the saw firmly in front of and clearly away from you.
- Choose a convenient starting point inside the cutting area and place the tip of the blade over that point.
- Rest the front edge of the shoe assembly on the workpiece and hold it firmly in position during the cut.
- Depress the switch trigger and allow the saw blade to reach full cutting speed.

WARNING:

Make sure the blade does not touch the workpiece until the motor reaches full speed. Failure to heed this warning can cause you to lose control of the saw and result in serious injury.

- Tilt the saw downward until the tip of the blade starts cutting the workpiece.
- Allow the saw to penetrate the workpiece.
- Tilt the saw until the blade is perpendicular to the workpiece.

WARNING:

Blades longer than 6 in. can whip and should not be used for plunge cutting. Failure to heed this warning can result in serious personal injury.

WARNING:

Cutting into electrical wiring can cause the blade, the blade clamp, and the saw bar assembly to become electrically live. Do not touch metal parts when cutting into a wall; grasp only the insulated surfaces on the tool. Make sure hidden electrical wiring, water pipes, and mechanical hazards are not in the blade path when cutting into a wall.

METAL CUTTING

See Figure 8, page 10.

You may cut metals such as sheet steel, pipe, steel rods, aluminum, brass, and copper with the saw.

Observe the following tips when metal cutting:

- Be careful not to twist or bend the saw blade.
- **Do not** force the tool and use a slow speed setting.
- Use cutting oil when cutting soft metals and steel. Cutting oil also keeps the blades cool, increases cutting action, and prolongs blade life.
- **Never** use gasoline since normal sparking of motor could ignite fumes.
- Clamp the workpiece firmly and cut close to the clamping point to eliminate any vibration of the work. When cutting conduit pipe or angle iron, clamp the workpiece in a vise if possible and cut close to the vise. To cut thin sheet material, “sandwich” the material between hardboard or plywood and clamp the layers to eliminate vibration and material tearing.
- Always keep firm pressure on the shoe assembly to hold it securely against the workpiece.

MAINTENANCE

⚠ WARNING:

When servicing use only identical replacement parts. Use of any other parts can create a hazard or cause product damage.

⚠ WARNING:

Always wear eye protection with side shields marked to comply with ANSI Z87.1 during product operation. If operation is dusty, also wear a dust mask.

GENERAL MAINTENANCE

Avoid using solvents when cleaning plastic parts. Most plastics are susceptible to damage from various types of commercial solvents and may be damaged by their use. Use clean cloths to remove dirt, dust, oil, grease, etc.

⚠ WARNING:

Do not at any time let brake fluids, gasoline, petroleum-based products, penetrating oils, etc., come in contact with plastic parts. Chemicals can damage, weaken or destroy plastic which can result in serious personal injury.

Electric tools used on fiberglass material, wallboard, spackling compounds, or plaster are subject to accelerated wear and possible premature failure because the fiberglass chips and grindings are highly abrasive to bearings, brushes, commutators, etc. Consequently, we do not recommend using this product for extended work on these types of materials. However, if you do work with any of these materials, it is extremely important to clean the product using compressed air.

LUBRICATION

All of the bearings in this product are lubricated with a sufficient amount of high grade lubricant for the life of the unit under normal operating conditions. Therefore, no further lubrication is required.

POWER SUPPLY CORD REPLACEMENT

If replacement of the power supply cord is necessary, this has to be done by the manufacturer or his agent in order to avoid a safety hazard.

NOTE: ILLUSTRATIONS START ON PAGE 10 AFTER FRENCH AND SPANISH LANGUAGE SECTIONS.

This product has a 90-Day Satisfaction Guarantee Policy, as well as a Three-year Limited Warranty.

For Warranty and Policy details, please go to www.RIDGID.com or call (toll free) 1-866-539-1710.

RÈGLES DE SÉCURITÉ RELATIVES AUX OUTILS ÉLECTRIQUES

AVERTISSEMENT

Lire tous les avertissements et toutes les instructions. Ne pas suivre l'ensemble des avertissements et des instructions peut entraîner une électrocution, un incendie ou des blessures graves.

Conserver les avertissements et les instructions à des fins de référence ultérieure. Le terme « outil motorisé », utilisé dans tous les avertissements ci-dessous désigne tout outil fonctionnant sur secteur (câblé) ou sur piles (sans fil).

SÉCURITÉ DU LIEU DE TRAVAIL

- **Garder le lieu de travail propre et bien éclairé.** Les endroits encombrés ou sombres sont propices aux accidents.
- **Ne pas utiliser d'outils électriques dans des atmosphères explosives, par exemple en présence de liquides, gaz ou poussières inflammables.** Les outils électriques produisent des étincelles risquant d'enflammer les poussières ou vapeurs.
- **Garder les enfants et badauds à l'écart pendant l'utilisation d'un outil électrique.** Les distractions peuvent causer une perte de contrôle.

SÉCURITÉ ÉLECTRIQUE

- **Les fiches des outils électriques doivent correspondre à la prise secteur utilisée. Ne jamais modifier la fiche, de quelque façon que ce soit. Ne jamais utiliser d'adaptateurs de fiche avec des outils mis à la terre.** Les fiches et prises non modifiées réduisent le risque de choc électrique.
- **Éviter tout contact du corps avec des surfaces mises à la terre, telles que tuyaux, radiateurs, cuisinières et réfrigérateurs.** Le risque de choc électrique est accru lorsque le corps est mis à la terre.
- **Ne pas exposer les outils électriques à l'eau ou l'humidité.** La pénétration d'eau dans ces outils accroît le risque de choc électrique.
- **Ne pas maltraiter le cordon d'alimentation. Ne jamais utiliser le cordon d'alimentation pour transporter l'outil et ne jamais débrancher ce dernier en tirant sur le cordon. Garder le cordon à l'écart de la chaleur, de l'huile, des objets tranchants et des pièces en mouvement.** Un cordon endommagé ou emmêlé accroît le risque de choc électrique.
- **Pour les travaux à l'extérieur, utiliser un cordon spécialement conçu à cet effet.** Utiliser un cordon conçu pour l'usage extérieur pour réduire les risques de choc électrique.
- **S'il est nécessaire d'utiliser l'outil électrique dans un endroit humide, employer un dispositif interrupteur de défaut à la terre (GFCI).** L'utilisation d'un GFCI réduit le risque de décharge électrique.

SÉCURITÉ PERSONNELLE

- **Rester attentif, prêter attention au travail et faire preuve de bon sens lors de l'utilisation de tout outil électrique. Ne pas utiliser cet outil en état de fatigue ou sous l'influence de l'alcool, de drogues ou de médicaments.**

Un moment d'inattention pendant l'utilisation d'un outil électrique peut entraîner des blessures graves.

- **Utiliser l'équipement de sécurité. Toujours porter une protection oculaire.** L'équipement de sécurité, tel qu'un masque filtrant, de chaussures de sécurité, d'un casque ou d'une protection auditive, utilisé dans des conditions appropriées réduira le risque de blessures.
- **Éviter les démarrages accidentels. S'assurer que le commutateur est en position d'arrêt avant de brancher l'outil.** Porter un outil avec le doigt sur son commutateur ou brancher un outil dont le commutateur est en position de marche peut causer un accident.
- **Retirer les clés de réglage avant de mettre l'outil en marche.** Une clé laissée sur une pièce rotative de l'outil peut causer des blessures.
- **Ne pas travailler hors de portée. Toujours se tenir bien campé et en équilibre.** Ceci permettra de mieux contrôler l'outil en cas de situation imprévue.
- **Porter une tenue appropriée. Ne porter ni vêtements amples, ni bijoux. Garder les cheveux, les vêtements et les gants à l'écart des pièces en mouvement.** Les vêtements amples, bijoux et cheveux longs peuvent se prendre dans les pièces en mouvement.
- **Si les outils sont équipés de dispositifs de dépoussiérage, s'assurer qu'ils sont connectés et correctement utilisés.** L'usage de ces dispositifs de dépoussiérage peut réduire les dangers présentés par la poussière.
- **Ne porter ni vêtements amples, ni bijoux. Attacher ou couvrir les cheveux longs.** Les vêtements amples, bijoux et cheveux longs peuvent se prendre dans les ouïes d'aération.
- **Ne pas utiliser l'outil sur une échelle ou un support instable.** Une bonne tenue et un bon équilibre permettent de mieux contrôler l'outil en cas de situation imprévue.

UTILISATION ET ENTRETIEN DES OUTILS ÉLECTRIQUES

- **Ne pas forcer l'outil. Utiliser l'outil approprié pour l'application.** Un outil approprié exécutera le travail mieux et de façon moins dangereuse s'il est utilisé dans les limites prévues.
- **Ne pas utiliser l'outil si le commutateur ne permet pas de le mettre en marche ou de l'arrêter.** Tout outil qui ne peut pas être contrôlé par son commutateur est dangereux et doit être réparé.
- **Débrancher l'outil et/ou retirer le bloc-piles avant d'effectuer des réglages, de changer d'accessoire ou de remiser l'outil.** Ces mesures de sécurité préventives réduisent les risques de démarrage accidentel de l'outil.
- **Ranger les outils motorisés hors de la portée des enfants et ne laisser personne n'étant pas familiarisé avec l'outil ou ces instructions utiliser l'outil.** Dans les mains de personnes n'ayant pas reçu des instructions adéquates, les outils sont dangereux.
- **Entretenir les outils motorisés. Vérifier qu'aucune pièce mobile n'est mal alignée ou bloquée, qu'aucune pièce n'est brisée et s'assurer qu'aucun autre problème ne risque d'affecter le bon fonctionnement de l'outil. En cas de dommages faire réparer l'outil avant de l'utiliser de**

RÈGLES DE SÉCURITÉ RELATIVES AUX OUTILS ÉLECTRIQUES

nouveau. Beaucoup d'accidents sont causés par des outils mal entretenus.

- **Garder les outils bien affûtés et propres.** Les outils convenablement entretenus et dont les lames sont aiguisées risquent moins de se coincer. Ils sont également plus faciles à manier.
- **Utiliser l'outil électrique, les accessoires, les grains etc. conformément à ces instructions en tenant compte des conditions de travail et de la tâche à effectuer.** L'usage d'un outil motorisé pour des applications pour lesquelles il n'est pas conçu peut être dangereux.

DÉPANNAGE

- **Les réparations doivent être confiées à un technicien qualifié, utilisant exclusivement des pièces identiques à celles d'origine.** Le maintien de la sûreté de l'outil électrique sera ainsi assuré.
- **Utiliser exclusivement des pièces identiques à celles d'origine pour les réparations. Suivez les instructions contenues dans la section Entretien de ce manuel.** L'usage de pièces non autorisées ou le non-respect des instructions peut présenter des risques de choc électrique ou de blessures.

AVERTISSEMENTS DE SÉCURITÉ RELATIFS SCIE ALTERNATIVE




- **Lorsque l'outil est utilisé pour un travail risquant de le mettre en contact avec des fils électriques cachés, le tenir par les surfaces de prise isolées.** Le contact d'un accessoire de coupe avec un fil sous tension « électrifié » les pièces métalliques exposées de l'outil et peut électrocuter l'utilisateur.
- **Dans la mesure du possible, utiliser des serre-joint pour maintenir la pièce sur une surface stable.** Une pièce tenue à la main ou contre son corps le rend instable et peut causer une perte de contrôle.
- **Apprendre à connaître l'outil. Lire attentivement le manuel d'utilisation. Apprendre les applications et les limites de l'outil, ainsi que les risques spécifiques relatifs à son utilisation.** Le respect de cette consigne réduira les risques d'incendie, de choc électrique et de blessures graves.
- **Toujours porter une protection oculaire certifiée conforme à la norme ANSI Z87.1.** Le respect de cette règle réduira les risques de blessures graves.
- **Protection respiratoire. Porter un masque facial ou un masque antipoussière si le travail produit de la poussière.** Le respect de cette consigne réduira les risques de blessures graves.
- **Protection auditive. Porter une protection auditive lors de l'utilisation prolongée.** Le respect de cette règle réduira les risques de blessures graves.
- **Inspecter régulièrement les cordons d'alimentation des outils et s'ils sont endommagés, les confier au centre de réparations agréé le plus proche. Toujours être conscient de l'emplacement du cordon.** Le respect de cette règle réduira les risques de choc électrique et d'incendie.
- **Vérifier l'état des pièces. Avant d'utiliser l'outil de nouveau examiner soigneusement les pièces et**

dispositifs de protection qui semblent endommagés afin de déterminer s'ils fonctionnent correctement et s'ils remplissent les fonctions prévues. Vérifier l'alignement des pièces mobiles, s'assurer qu'aucune pièce n'est bloquée ou cassée, vérifier la fixation de chaque pièce et s'assurer qu'aucun autre problème ne risque d'affecter le bon fonctionnement de l'outil. Toute protection ou pièce endommagée doit être correctement réparée ou remplacée dans un centre de réparations agréé. Le respect de cette consigne réduira les risques de choc électrique, d'incendie et de blessures graves.







- **S'assurer que le cordon prolongateur est en bon état. Si un cordon prolongateur est utilisé, s'assurer que sa capacité est suffisante pour supporter le courant de fonctionnement de l'outil. Un calibre de fil (A.W.G) d'au minimum 14 est recommandé pour un cordon prolongateur de 15 m (50 pi) maximum. L'usage d'un cordon de plus de 30 m (100 pi) est déconseillé. En cas de doute, utiliser un cordon du calibre immédiatement supérieur. Moins le numéro de calibre est élevé, plus la capacité du fil est grande.** Un cordon de capacité insuffisante causerait une baisse de la tension de ligne, entraînant une perte de puissance et une surchauffe.
- **Inspecter la pièce et retirer les clous éventuels avant d'utiliser cet outil.** Le respect de cette consigne réduira les risques de blessures graves.
- **Si le cordon d'alimentation est endommagé, il doit être remplacé uniquement par le fabricant ou par un centre de réparation agréé pour éviter tout risque.**
- **Conserver ces instructions.** Les consulter fréquemment et les utiliser pour instruire les autres utilisateurs éventuels. Si cet produit est prêté, il doit être accompagné de ces instructions.

SYMBOLES

Les termes de mise en garde suivants et leur signification ont pour but d'expliquer le degré de risques associé à l'utilisation de ce produit.

| SYMBOLE | SIGNAL | SIGNIFICATION |
|---|------------------------|--|
|  | DANGER : | Indique une situation dangereuse qui, si elle n'est pas évitée, aura pour conséquences des blessures graves ou mortelles. |
|  | AVERTISSEMENT : | Indique une situation dangereuse qui, si elle n'est pas évitée, pourrait entraîner des blessures graves ou mortelles. |
|  | ATTENTION : | Indique une situation dangereuse qui, si elle n'est pas évitée, pourrait entraîner des blessures légères ou de gravité modérée. |
| | AVIS : | (Sans symbole d'alerte de sécurité) Indique les informations jugées importantes sans toutefois représenter un risque de blessure (ex. : messages concernant les dommages matériels). |

Certains des symboles ci-dessous peuvent être utilisés sur produit. Veiller à les étudier et à apprendre leur signification. Une interprétation correcte de ces symboles permettra d'utiliser produit plus efficacement et de réduire les risques.

| SYMBOLE | NOM | DÉSIGNATION / EXPLICATION |
|---|-------------------------------------|--|
|  | Symbole d'alerte de sécurité | Indique un risque de blessure potentiel. |
|  | Lire le manuel d'utilisation | Pour réduire les risques de blessures, l'utilisateur doit lire et veiller à bien comprendre le manuel d'utilisation avant d'utiliser ce produit. |
|  | Protection oculaire | Toujours porter une protection oculaire avec écrans latéraux certifiée conforme à la norme ANSI Z87.1. |
|  | Avertissement concernant l'humidité | Ne pas exposer à la pluie ou l'humidité. |
|  | Symbole garder les mains à l'écart | Le non-respect de cette mise en garde peut entraîner des blessures graves. |
| V | Volts | Tension |
| A | Ampères | Intensité |
| Hz | Hertz | Fréquence (cycles par seconde) |
| min | Minutes | Temps |
| ~ | Courant continu | Type ou caractéristique du courant |
| n_0 | Vitesse à vide | Vitesse de rotation à vide |
|  | Outil de la classe II | Construction à double isolation |
| .../min | Par minute | Tours, coups, vitesse périphérique, orbites, etc., par minute |

CARACTÉRISTIQUES ÉLECTRIQUES

DOUBLE ISOLATION

La double isolation est un dispositif de sécurité utilisé sur les outils à moteur électriques, éliminant le besoin de cordon d'alimentation habituel à trois fils avec terre. Toutes les pièces métalliques exposées sont isolées des composants internes du moteur par l'isolation protectrice. Les outils à double isolation ne nécessitent pas de mise à la terre.

AVERTISSEMENT :

Le système à double isolation est conçu pour protéger l'utilisateur contre les chocs électriques causés par une rupture du câblage interne de l'outil. Prendre toutes les précautions de sécurité normales pour éviter les chocs électriques.

NOTE : La réparation d'un outil à double isolation exigeant des précautions extrêmes ainsi que la connaissance du système, elle ne doit être confiée qu'à un réparateur qualifié. En ce qui concerne les réparations, nous recommandons de confier l'outil au centre de réparation le plus proche. Utiliser exclusivement des pièces d'origine pour les réparations.

CONNEXIONS ÉLECTRIQUES

Ce produit est équipé d'un moteur électrique de précision. Il doit être branché uniquement sur une alimentation **120 V, c.a. (courant résidentiel standard), 60 Hz**. Ne pas utiliser cet outil sur une source de courant continu (c.c.). Une chute de tension importante causerait une perte de puissance et une surchauffe du moteur. Si l'outil ne fonctionne pas une fois branché, vérifier l'alimentation électrique.

CORDONS PROLONGATEURS

Lors de l'utilisation d'un outil électrique à grande distance d'une prise secteur, veiller à utiliser un cordon prolongateur d'une capacité suffisante pour supporter l'appel de courant de l'outil. Un cordon de capacité insuffisante causerait une baisse de la tension de ligne, entraînant une perte de puissance et une surchauffe. Se reporter au tableau ci-dessous pour déterminer le calibre minimum de fil requis pour un cordon donné. Utiliser exclusivement des cordons à gaine cylindrique homologués par Underwriter's Laboratories (UL).

Pour le travail à l'extérieur, utiliser un cordon prolongateur spécialement conçu à cet effet. Ce type de cordon porte l'inscription « W-A » ou « W » sur sa gaine.

Avant d'utiliser un cordon prolongateur, vérifier que ses fils ne sont ni détachés ni exposés et que son isolation n'est ni coupée, ni usée.

**Intensité nominale (sur la plaquette signalétique de l'outil)

0-2,0 2,1-3,4 3,5-5,0 5,1-7,0 7,1-12,0 12,1-16,0

| Longueur du cordon | Calibre de fil (A.W.G.) | | | | | |
|--------------------|-------------------------|----|----|----|----|----|
| 25' | 16 | 16 | 16 | 16 | 14 | 14 |
| 50' | 16 | 16 | 16 | 14 | 14 | 12 |
| 100' | 16 | 16 | 14 | 12 | 10 | — |

**Utilisé sur circuit de calibre 12 - 20 A.

NOTE : AWG = American Wire Gauge

AVERTISSEMENT :

Maintenir le cordon prolongateur à l'écart de la zone de travail. Lors du travail avec un cordon électrique, placer le cordon de manière à ce qu'il ne risque pas de se prendre dans les pièces de bois, outils et autres obstacles. Ne pas prendre cette précaution peut entraîner des blessures graves.

AVERTISSEMENT :

Vérifier l'état des cordons prolongateurs avant chaque utilisation. Remplacer immédiatement tout cordon endommagé. Ne jamais utiliser un outil dont le cordon d'alimentation est endommagé, car tout contact avec la partie endommagée pourrait causer un choc électrique et des blessures graves.

CARACTÉRISTIQUES

FICHE TECHNIQUE

Commutateur..... Vitesse variable
Course..... 12,7 mm (1/2 po)
Vitesse à vide 0-3 500 r/min (RPM)

Alimentation..... 120 V, c.a. seulement, 60 Hz, 6 A
Poids net 2,0 kg (4,4 lb)

POUR SE FAMILIARISER AVEC LA SCIE ALTERNATIVE

Voir la figure 1, page 10.

La sécurité d'utilisation de ce produit exige la compréhension des informations apposées sur l'outil et contenues dans ce manuel d'utilisation, ainsi que la connaissance du travail à exécuter. Avant d'utiliser ce produit, se familiariser avec toutes ses fonctions et règles de sécurité.

PRISE CYLINDRIQUE

La scie à prise cylindrique est conçue pour une utilisation à une main seulement.

LAMPES À DEL

La scie est dotée de lampes de travail DÉL intégrées qui s'allument lorsque l'utilisateur appuie sur la gâchette. Cela procure davantage de lumière pour une meilleure visibilité.

SÉLECTEUR DE MOUVEMENT ORBITAL

Utiliser le sélecteur pour choisir un mouvement de coupe linéaire ou orbital. Le mouvement de coupe linéaire est idéal pour faire des coupes lisses alors que le mouvement orbital est idéal pour couper plus rapidement le bois.

VERROUILLAGE DE LAME SANS OUTIL

Cette scie est équipée d'un système de verrouillage ne nécessitant pas l'usage d'un outil (clé à lame) pour installer ou retirer la lame.

GÂCHETTE DE VITESSE VARIABLE

Cet outil est doté d'une gâchette de commande de vitesse sensible à la pression. La vitesse est contrôlée par la pression exercée sur la gâchette.

ASSEMBLAGE

DÉBALLAGE

Ce produit a été expédié complètement assemblé.

- Avec précaution, sortir le produit et les accessoires de la boîte. S'assurer que toutes les pièces figurant sur la liste de contrôle sont incluses.

AVERTISSEMENT :

Ne pas utiliser le produit s'il n'est pas complètement assemblé ou si des pièces semblent manquantes ou endommagées. Le fait d'utiliser un produit assemblé de façon inadéquate ou incomplète peut entraîner des blessures graves.

- Examiner soigneusement le produit pour s'assurer que rien n'a été brisé ou endommagé en cours de transport.
- Ne pas jeter les matériaux d'emballage avant d'avoir soigneusement examiné le produit et avoir vérifié qu'il fonctionne correctement.
- Si des pièces sont manquantes ou endommagées, appeler le 1-866-539-1710.

AVERTISSEMENT :

Si des pièces manquent ou sont endommagées, ne pas utiliser ce produit avant qu'elles aient été remplacées. L'utilisation sûre de ce produit avec les pièces manquantes ou endommagées pourrait entraîner des blessures graves.

AVERTISSEMENT :

Ne pas essayer de modifier ce produit ou de créer des accessoires non recommandés pour le produit. De telles altérations ou modifications sont considérées comme un usage abusif et peuvent créer des conditions dangereuses, risquant d'entraîner des blessures graves.

AVERTISSEMENT :

Ne pas brancher sur le secteur avant d'avoir terminé l'assemblage. Le non respect de cet avertissement peut causer un démarrage accidentel, entraînant des blessures graves.

UTILISATION

AVERTISSEMENT :

Ne pas laisser la familiarité avec le produit faire oublier la prudence. Ne pas oublier qu'une fraction de seconde d'inattention peut entraîner des blessures graves.

AVERTISSEMENT :

Toujours porter une protection oculaire avec écrans latéraux certifiée conforme à la norme ANSI Z87.1. Si cette précaution n'est pas prise, des objets peuvent être projetés dans les yeux et causer des lésions graves.

AVERTISSEMENT :

Ne pas utiliser d'outils ou accessoires non recommandés par le fabricant de ce produit. L'utilisation de pièces et accessoires non recommandés peut entraîner des blessures graves.

APPLICATIONS

Ce produit peut être utilisé pour les applications ci-dessous :

- Coupe de tous types de produits du bois (planches, contre-plaqué, lambrissage, aggloméré et bois dur)
- Coupe de masonite et plastique
- Coupe de placoplâtre
- Coupe d'objets en métal tels que la tôle, les tuyaux, les tiges d'acier, l'aluminium, le laiton et le cuivre

CHOIX DE LA LAME

Le choix d'une lame de type correct est essentiel pour obtenir les meilleurs résultats possibles avec la scie. La lame doit être choisie en fonction de l'application et du matériau à couper. Le choix d'une lame appropriée la coupe assure une coupe plus nette, plus rapide et prolonge la vie utile de la lame.

Les lames présentant un nombre réduit de dents (10 par pouce) sont généralement utilisées pour la coupe du bois, alors que celle présentant un plus grand nombre de dents sont préférables pour la coupe du métal ou du plastique. Nous recommandons l'usage de lames à 14 dents par pouce pour les plastiques et métaux tendres et à 18 dents par pouce pour les métaux durs.

AVERTISSEMENT :

La scie ne doit pas être utilisée pour l'égamage ou avec une lame d'égamage. Ne pas respecter cet avertissement peut occasionner une perte de contrôle et entraîner des blessures graves.

INSTALLATION/RETRAIT LAME

Voir la figure 2, page 10.

- Débrancher la scie.
- Tourner le porte-lame dans le sens antihoraire et le maintenir en place afin de l'ouvrir.
- Insérer la lame de la scie jusqu'à ce qu'elle soit bien en place.
NOTE : La lame peut être installée avec les dents orientées vers le haut ou vers le bas.
- Relâcher le porte-lame afin de bien le fixer.
- Pour retirer la lame, tourner le porte-lame dans le sens antihoraire.

MISE EN MARCHÉ / ARRÊT DE LA SCIE

Voir la figure 3 page 10.

- **Pour mettre la scie en marche :** Appuyer sur la gâchette.
- **Pour arrêter la scie :** Relâcher la gâchette.

VITESSE VARIABLE

Voir la figure 3, page 10.

Cet outil est doté d'une gâchette de commande de vitesse sensible à la pression. La vitesse est contrôlée par la pression exercée sur la gâchette.

AVERTISSEMENT :

La coupe accidentelle de câblage électrique à l'intérieur des cloisons peut mettre les parties métalliques de la scie sous tension. Lors de coupes dans des cloisons, ne pas toucher les parties métalliques de la scie, la tenir uniquement par les surfaces de prise isolées. Avant de couper dans une cloison, s'assurer de l'absence de câblage électrique, de tuyaux d'eau et autres obstacles dangereux.

SÉLECTEUR DE MOUVEMENT ORBITAL

Voir la figure 4, page 10.

Utiliser le sélecteur pour un mouvement de coupe linéaire ou orbital.

NOTE : Ne pas sélectionner le mouvement orbital lorsqu'une lame pour coupe de métal est utilisée.

- Pour une coupe linéaire, tourner le sélecteur à la position « OFF » (Arrêt).
- Pour un mouvement orbital, tourner le sélecteur à la position « ON » (Marche).

NOTE : Pour éviter d'endommager l'outil, s'assurer que le moteur est complètement arrêté avant d'utiliser le sélecteur de mouvement orbital.

UTILISATION

UTILISATION DE LA SCIE

Voir les figures 5 - 6, page 10.

- Assujettir la pièce à couper sur un établi ou une table, au moyen d'un étau ou de serre-joint.
- Marquer clairement la ligne de coupe.
- S'assurer que la lame se trouve à l'écart de tout objet étranger et que le cordon d'alimentation ne se trouve pas dans la ligne de coupe.
- Tenir la scie fermement, bien à l'écart du corps.

NOTE: La scie à prise cylindrique est conçue pour une utilisation à une main seulement. Garder l'autre main à l'écart de la scie et de la zone de coupe.

- Appuyer sur la gâchette pour mettre la lame en mouvement.
- Placer la sabot contre la pièce.
- Engager la lame dans la pièce.

NOTE : Ne pas forcer. Exercer une pression juste suffisante pour que la lame coupe. Laisser lame et la scie effectuer le travail. Garder la base appuyée sur la pièce.

COUPE PLONGEANTE DU BOIS ET DES CLOISONS SÈCHES

Voir la figure 7, page 10.

- Assujettir la pièce à couper sur un établi ou une table, au moyen d'un étau ou de serre-joint.
- Marquer clairement la ligne de coupe.
- S'assurer que la lame se trouve à l'écart de tout objet étranger et que le cordon d'alimentation ne se trouve pas dans la ligne de coupe.
- Tenir la scie fermement, bien à l'écart du corps.
- Choisir un point de départ commode à l'intérieur de la surface à couper et placer la pointe de la lame sur ce point.
- Appuyer le devant de la sabot sur la pièce et le maintenir fermement en position pendant toute la coupe.
- Appuyer sur la gâchette et laisser la lame parvenir à pleine vitesse.

AVERTISSEMENT :

Veiller à ne pas laisser la lame toucher la pièce avant que le moteur soit parvenu à pleine vitesse. Le non respect de cette mise en garde peut causer la perte de contrôle de la scie et entraîner des blessures graves.

- Incliner la scie vers le bas, jusqu'à ce que la pointe de la lame entame la pièce.
- Laisser la lame pénétrer dans la pièce.

- Redresser la scie jusqu'à ce qu'elle soit perpendiculaire à la pièce.

AVERTISSEMENT :

Les lames longues de plus de 152,4 mm (6 po) peuvent osciller. Elles ne doivent donc pas être utilisées pour les coupes plongeantes. Le non respect de cette mise en garde peut entraîner des blessures graves.

AVERTISSEMENT :

La coupe accidentelle de câblage électriques peut mettre le support et la barre de lame de la scie sous tension. Lors de coupes dans des cloisons, ne pas toucher les parties métalliques de la scie, la tenir uniquement par les surfaces de prise isolées. Avant de couper dans une cloison, s'assurer de l'absence de câblage électrique, de tuyaux d'eau et autres obstacles dangereux sur la trajectoire de la scie.

COUPE DE MÉTAUX

Voir la figure 8, page 10.

La scie peut être utilisée pour couper des objets en métal tels que la tôle, les tuyaux, les tiges d'acier, l'aluminium, le laiton et le cuivre.

Pour la coupe de métaux, suivre les conseils ci-dessous :

- Veiller à ne pas tordre ou fléchir la lame.
- **Ne pas forcer** l'outil et utiliser une basse vitesse.
- Utiliser une huile de coupe pour le travail sur les métaux tendres et l'acier. Cette huile prolongera facilitera la coupe et gardera la lame fraîche, tout en prolongeant sa vie utile.
- **Ne jamais** utiliser à proximité d'essence, car les étincelles normalement produites par le moteur pourraient enflammer les vapeurs.
- Assujettir solidement la pièce et couper près du point de serrage pour éviter la vibration du matériau. Lors de la coupe de tuyaux ou de cornières, serrer la pièce dans un étau et couper le plus près possible du point de serrage. Pour la coupe des tôles minces, placer le matériau en "sandwich" entre deux planches et utiliser des serre-joint pour empêcher les vibrations et la déchirure du matériau.
- Toujours garder la sabot fermement appuyée sur la pièce.

ENTRETIEN

AVERTISSEMENT :

Utiliser exclusivement des pièces d'origine pour les réparations. L'usage de toute autre pièce pourrait créer une situation dangereuse ou endommager le produit.

AVERTISSEMENT :

Toujours porter une protection oculaire avec écrans latéraux certifiée conforme à la norme ANSI Z87.1. Si une opération dégage de la poussière, porter également un masque anti-poussière.

ENTRETIEN GÉNÉRAL

Éviter d'utiliser des solvants pour le nettoyage des pièces en plastique. La plupart des matières plastiques peuvent être endommagées par divers types de solvants du commerce. Utiliser un chiffon propre pour éliminer la saleté, la poussière, l'huile, la graisse, etc.

AVERTISSEMENT :

Ne jamais laisser de liquides tels que le fluide de freins, l'essence, les produits à base de pétrole, les huiles pénétrantes, etc., entrer en contact avec les pièces en plastique. Les produits chimiques peuvent endommager, affaiblir ou détruire le plastique, ce qui peut entraîner des blessures graves.

Les outils électriques utilisés sur la fibre de verre, le placoplâtre, les mastics de bouchage ou le plâtre s'usent plus vite et sont susceptibles de défaillance prématurée, car les particules et les éclats de fibre de verre sont fortement abrasifs pour les roulements, balais, commutateurs, etc. Toutefois, si l'outil a été utilisé sur l'un de ces matériaux, il est extrêmement important de le nettoyer à l'air comprimé.

LUBRIFICATION

Tous les roulements de cet outil sont enduits d'une quantité suffisante de lubrifiant de haute qualité pour la durée de vie de l'outil, dans des conditions d'utilisation normales. Aucune autre lubrification n'est donc nécessaire.

REPLACEMENT DU CORDON D'ALIMENTATION

S'il y a lieu, le cordon d'alimentation doit être remplacé par le fabricant ou l'un de ses agents afin d'éviter tout risque.

ILLUSTRATIONS COMMENÇANT SUR 10 DE PAGE APRÈS LA SECTION ESPAGNOL.

Ce produit est accompagné d'une politique de satisfaction de 90 jours et d'une garantie limitée de trois (3) ans.

Pour obtenir les détails de la garantie et de la politique, visiter le site www.RIDGID.com ou appeler (sans frais) au 1-866-539-1710.

ADVERTENCIAS DE SEGURIDAD PARA HERRAMIENTAS ELÉCTRICAS

ADVERTENCIA

Lea todas las advertencias de seguridad y las instrucciones. La inobservancia de las advertencias e instrucciones puede causar descargas eléctricas, incendios o lesiones graves.

Guarde todas las advertencias e instrucciones para consultarlas en el futuro. El término “herramienta eléctrica” en las advertencias se refiere a las herramientas eléctricas que funcionan con corriente (con cordón) o las que funcionan con batería (inalámbricas).

ÁREA DE TRABAJO

- **Mantenga limpia y bien iluminada el área de trabajo.** Un área de trabajo mal despejada o mal iluminada propicia accidentes.
- **No utilice herramientas motorizadas en atmósferas explosivas, como las existentes alrededor de líquidos, gases y polvos inflamables.** Las herramientas eléctricas generan chispas que pueden encender el polvo y los vapores inflamables.
- **Mantenga alejados a los niños y circunstantes al maniobrar una herramienta eléctrica.** Toda distracción puede causar la pérdida del control de la herramienta.

SEGURIDAD ELÉCTRICA

- **Las clavijas de las herramientas eléctricas deben corresponder a las tomas de corriente donde se conectan. Nunca modifique la clavija de ninguna forma. No utilice ninguna clavija adaptadora con herramientas eléctricas dotadas de contacto a tierra.** Conectando las clavijas originales en las tomas de corriente donde corresponden se disminuye el riesgo de una descarga eléctrica.
- **Evite el contacto del cuerpo con las superficies de objetos conectados a tierra, como las tuberías, radiadores, estufas y refrigeradores.** Existe un mayor riesgo de descargas eléctricas si el cuerpo está haciendo tierra.
- **No exponga las herramientas eléctricas a la lluvia ni a condiciones de humedad.** La introducción de agua en una herramienta eléctrica aumenta el riesgo de descargas eléctricas.
- **No maltrate el cordón eléctrico. Nunca utilice el cordón para trasladar, desconectar o tirar de la herramienta eléctrica. Mantenga el cordón lejos del calor, aceite, bordes afilados y piezas móviles.** Los cordones eléctricos dañados o enredados aumentan el riesgo de descargas eléctricas.
- **Al utilizar una herramienta eléctrica a la intemperie, use un cordón de extensión apropiado para el exterior.** Usando un cordón adecuado para el exterior se disminuye el riesgo de descargas eléctricas.
- **Si debe operar una herramienta en lugares húmedos, use un suministro protegido por un interruptor de circuito con pérdida a tierra (GFCI).** El uso de un GFCI reduce el riesgo de descargas eléctricas.

SEGURIDAD PERSONAL

- **Permanezca alerta, preste atención a lo que esté haciendo y aplique el sentido común al utilizar herramientas eléctricas. No utilice la herramienta eléctrica si está cansado o se encuentra bajo los efectos de alguna droga, alcohol o medicamento.** Un momento de inatención al utilizar una herramienta eléctrica puede causar lesiones corporales serias.
- **Utilice protección el equipo otros. Siempre póngase protección ocular.** El uso de equipo protector como mascarilla para el polvo, calzado de seguridad, casco y protección para los oídos en las circunstancias donde corresponda disminuye el riesgo de lesiones.
- **Evite que la herramienta se active accidentalmente. Asegúrese de que el interruptor esté en la posición de apagado antes de conectar la herramienta a un suministro de corriente o de colocar un paquete de baterías.** Transportar herramientas eléctricas con el dedo en el interruptor o enchufar herramientas eléctricas que tienen el interruptor encendido puede ocasionar accidentes.
- **Retire toda llave o herramienta de ajuste antes de encender la herramienta eléctrica.** Toda llave o herramienta de ajuste dejada en una pieza giratoria de la herramienta eléctrica puede causar lesiones.
- **No estire el cuerpo para alcanzar mayor distancia. Mantenga una postura firme y buen equilibrio en todo momento.** De esta manera se logra un mejor control de la herramienta eléctrica en situaciones inesperadas.
- **Vístase adecuadamente. No vista ropas holgadas ni joyas. Mantenga el cabello, la ropa y los guantes alejados de las piezas móviles.** Las ropas holgadas y las joyas, así como el cabello largo, pueden engancharse en las piezas móviles.
- **Si se suministran dispositivos para conectar mangueras de extracción y captación de polvo, asegúrese de que éstas estén bien conectadas y se usen correctamente.** El uso de la captación de polvo puede reducir los peligros relacionados con éste.
- **No vista ropas holgadas ni joyas. Recójase el cabello si está largo.** Las ropas holgadas y las joyas, así como el cabello largo, pueden resultar atraídas hacia el interior de las aberturas de ventilación.
- **No utilice la unidad al estar en una escalera o en un soporte inestable.** Una postura estable sobre una superficie sólida permite un mejor control de la herramienta eléctrica en situaciones inesperadas.

EMPLEO Y CUIDADO DE LA HERRAMIENTA ELÉCTRICA

- **No fuerce la herramienta eléctrica. Utilice la herramienta eléctrica adecuada para cada trabajo.** La herramienta eléctrica adecuada efectúa mejor y de manera más segura el trabajo, si además se maneja a la velocidad para la que está diseñada.
- **No utilice la herramienta si el interruptor no enciende o no apaga.** Cualquier herramienta eléctrica que no pueda controlarse con el interruptor es peligrosa y debe repararse.
- **Desconecte la clavija del suministro de corriente o retire el paquete de baterías de la herramienta eléctrica, según sea el caso, antes de efectuarle cualquier**

ADVERTENCIAS DE SEGURIDAD PARA HERRAMIENTAS ELÉCTRICAS

ajuste, cambiarle accesorios o guardarla. Tales medidas preventivas de seguridad reducen el riesgo de poner en marcha accidentalmente la herramienta.

- **Guarde las herramientas eléctricas desocupadas fuera del alcance de los niños y no permita que las utilicen personas no familiarizadas con las mismas o con estas instrucciones.** Las herramientas eléctricas son peligrosas en manos de personas no capacitadas en el uso de las mismas.
- **Preste servicio a las herramientas eléctricas. Revise para ver si hay desalineación o atoramiento de piezas móviles, ruptura de piezas o cualquier otra condición que pueda afectar el funcionamiento de la herramienta. Si está dañada la herramienta eléctrica, permita que la reparen antes de usarla.** Numerosos accidentes son causados por herramientas eléctricas mal cuidadas.
- **Mantenga las herramientas de corte afiladas y limpias.** Las herramientas de corte bien cuidadas y con bordes bien afilados, tienen menos probabilidad de atascarse en la pieza de trabajo y son más fáciles de controlar.

- **Utilice la herramienta eléctrica, los accesorios y brocas, hojas y cuchillas de corte, ruedas de esmeril, etc. de conformidad con estas instrucciones, tomando en cuenta las condiciones de trabajo y la tarea por realizar.** Si se utiliza la herramienta eléctrica para operaciones diferentes de las indicadas podría originar una situación peligrosa.

SERVICIO

- **Permita que un técnico de reparación calificado preste servicio a la herramienta eléctrica, y sólo con piezas de repuesto idénticas.** De esta manera se mantiene la seguridad de la herramienta eléctrica.
- **Al dar servicio a una herramienta eléctrica, sólo utilice piezas de repuesto idénticas. Siga las instrucciones señaladas en la sección Mantenimiento de este manual.** El empleo de piezas no autorizadas o el incumplimiento de las instrucciones de mantenimiento puede significar un riesgo de descarga eléctrica o de lesiones.




ADVERTENCIAS DE SEGURIDAD SIERRA ALTERNATIVA

- **Sujete las herramientas eléctricas por las superficies aisladas de sujeción al efectuar una operación en la cual la herramienta de corte pueda entrar en contacto con cables ocultos.** Todo contacto de una herramienta con un cable cargado carga las piezas metálicas expuestas de la herramienta y da una descarga eléctrica al operador.
- **Utilice prensas o cualquier otro medio práctico de asegurar y sostener la pieza de trabajo en una plataforma segura.** Sostener la pieza con la mano o contra el cuerpo lo hace inestable y puede causar una pérdida de control.
- **Familiarícese con su herramienta eléctrica. Lea cuidadosamente el manual del operador. Aprenda sus usos y limitaciones, así como los posibles peligros específicos de esta herramienta.** Con el cumplimiento de esta regla se reduce el riesgo de una descarga eléctrica, incendio o lesión seria.
- **Siempre póngase protección ocular con protección lateral con la marca de cumplimiento de la norma ANSI Z87.1.** Con el cumplimiento de esta regla se reduce el riesgo de lesiones corporales serias.
- **Protéjase los pulmones. Use una careta o mascarilla contra el polvo si la operación genera mucho polvo.** Con el cumplimiento de esta regla se reduce el riesgo de lesiones serias.
- **Protéjase los oídos. Durante períodos prolongados de utilización del producto, póngase protección para los oídos.** Con el cumplimiento de esta regla se reduce el riesgo de lesiones corporales serias.
- **Inspeccione periódicamente los cordones eléctricos de las herramientas, y si están dañados, permita que los reparen en el centro de servicio autorizado más cercano de la localidad. Observe constantemente la ubicación del cordón eléctrico.** Con el cumplimiento de esta regla se reduce el riesgo de una descarga eléctrica o incendio.







- **Revise para ver si hay piezas dañadas. Antes de seguir utilizando la herramienta, es necesario inspeccionar cuidadosamente toda protección o pieza dañada para determinar si funcionará correctamente y desempeñará la función a la que está destinada. Verifique la alineación de las partes móviles, que no haya atoramiento de las mismas, que no haya piezas rotas, el montaje de las piezas y cualquier otra condición que pudiera afectar su funcionamiento. Toda protección o pieza que esté dañada debe repararse apropiadamente o reemplazarse en un centro de servicio autorizado.** Con el cumplimiento de esta regla se reduce el riesgo de una descarga eléctrica, incendio o lesión grave.
- **Asegúrese de que esté en buen estado el cordón de extensión. Al utilizar un cordón de extensión, utilice uno del suficiente calibre para soportar la corriente que consume el producto. Se recomienda que los conductores sean de calibre 14 (A.W.G.) por lo menos, para un cordón de extensión de 15 metros (50 pies) de largo o menos. No se recomienda utilizar un cordón de más de 100 pies (30 metros) metros de largo. Si tiene dudas, utilice un cordón del calibre más grueso siguiente. Cuanto menor es el número de calibre, mayor es el grueso del cordón. Un cordón de un calibre insuficiente causa una caída en el voltaje de línea, y produce recalentamiento y pérdida de potencia.**
- **Inspeccione la madera y elimine todos los clavos presentes en la misma antes de usar esta herramienta.** Con el cumplimiento de esta regla se reduce el riesgo de lesiones serias.
- **Si está dañado el cordón de corriente, debe ser reemplazado únicamente por el fabricante o en un centro de servicio autorizado para evitar riesgos.**
- **Guarde estas instrucciones.** Consúltelas con frecuencia y empléelas para instruir a otras personas que puedan utilizar esta producto. Si presta a alguien esta producto, facilítele también las instrucciones.

SÍMBOLOS

Las siguientes palabras de señalización y sus significados tienen el objeto de explicar los niveles de riesgo relacionados con este producto.

| SÍMBOLO | SEÑAL | SIGNIFICADO |
|---|---------------------|---|
|  | PELIGRO: | Indica una situación peligrosa, la cual, si no se evita, causará la muerte o lesiones serias. |
|  | ADVERTENCIA: | Indica una situación peligrosa, la cual, si no se evita, podría causar la muerte o lesiones serias. |
|  | PRECAUCIÓN: | Indica una situación peligrosa, la cual, si no se evita, podría causar lesiones menores o leves. |
| | AVISO: | (Sin el símbolo de alerta de seguridad) Indica la información que se considera importante, pero no relacionada con lesiones potenciales (por ej. en relación a daños a la propiedad). |

Es posible que se empleen en este producto algunos de los siguientes símbolos. Le suplicamos estudiarlos y aprender su significado. Una correcta interpretación de estos símbolos le permitirá utilizar mejor y de manera más segura el producto.

| SÍMBOLO | NOMBRE | DENOMINACIÓN/EXPLICACIÓN |
|---|---------------------------------|---|
|  | Alerta de seguridad | Indica un peligro posible de lesiones personales. |
|  | Lea el manual del operador | Para reducir el riesgo de lesiones, el usuario debe leer y comprender el manual del operador antes de usar este producto. |
|  | Protección ocular | Siempre póngase protección ocular con protección lateral con la marca de cumplimiento de la norma ANSI Z87.1. |
|  | Alerta de condiciones húmedas | No exponga la unidad a la lluvia ni la use en lugares húmedos. |
|  | Símbolo de no acercar las manos | Le non-respect de cette mise en garde peut entraîner des blessures graves. |
| V | Volts | Voltaje |
| A | Amperes | Corriente |
| Hz | Hertz | Frecuencia (ciclos por segundo) |
| min | Minutos | Tiempo |
| ~ | Corriente alterna | Tipo de corriente |
| n ₀ | Velocidad en vacío | Velocidad de rotación, en vacío |
|  | Fabricación Clase II | Fabricación con doble aislamiento |
| .../min | Por minuto | Revoluciones, carreras, velocidad superficial, órbitas, etc., por minuto |

ASPECTOS ELÉCTRICOS

DOBLE AISLAMIENTO

El doble aislamiento es una característica de seguridad de las herramientas eléctricas, la cual elimina la necesidad de usar el típico cordón eléctrico de tres conductores con conexión a tierra. Todas las partes metálicas expuestas están aisladas de los componentes metálicos internos del motor por medio de aislamiento de protección. No es necesario conectar a tierra las herramientas con doble aislamiento.

ADVERTENCIA:

El sistema de doble aislamiento está destinado a proteger al usuario contra las descargas eléctricas resultantes de la ruptura del aislamiento interno de la herramienta. Observe todas las precauciones de seguridad para evitar descargas eléctricas.

NOTA: El mantenimiento de una herramienta con doble aislamiento requiere sumo cuidado y conocimiento del sistema, y únicamente deben realizarlo técnicos de servicio calificados. Para el servicio de la herramienta, le sugerimos llevarla al centro de servicio autorizado más cercano para toda reparación. Siempre utilice piezas de repuesto de la fábrica original al dar servicio a la unidad.

CONEXIÓN ELÉCTRICA

Esta herramienta dispone de un motor eléctrico fabricado con precisión. Debe conectarse únicamente a una línea de voltaje de **120 Volts, de corr. alt. solamente (corriente normal para uso doméstico), 60 Hertz**. No utilice esta herramienta con corriente continua (c.c.). Una caída considerable de voltaje causa una pérdida de potencia y el recalentamiento del motor. Si la herramienta no funciona al conectarla en una toma de corriente, vuelva a verificar el suministro de voltaje.

CORDONES DE EXTENSIÓN

Al utilizar una herramienta eléctrica a una distancia considerable de la fuente de voltaje, asegúrese de utilizar un cordón de extensión con la suficiente capacidad para soportar la corriente de consumo de la herramienta. Un cordón de un calibre insuficiente causa una caída en el voltaje de línea, la cual a su vez produce recalentamiento y pérdida de potencia. Básese en la tabla suministrada para determinar el grueso mínimo requerido del cordón de extensión. Solamente deben utilizarse cordones con forro redondo registrados en Underwriter's Laboratories (UL).

Al trabajar a la intemperie con una herramienta, utilice un cordón de extensión fabricado para uso en el exterior. Este tipo de cordón lleva las letras "W-A" o "W" en el forro.

Antes de utilizar un cordón de extensión, inspecciónelo para ver si tiene conductores flojos o expuestos y aislamiento cortado o gastado.

**Amperaje (aparece en la placa de datos de la herramienta)

| Longitud del cordón | Calibre conductores (A.W.G.) | | | | | |
|---------------------|------------------------------|---------|---------|---------|----------|-----------|
| | 0-2,0 | 2,1-3,4 | 3,5-5,0 | 5,1-7,0 | 7,1-12,0 | 12,1-16,0 |
| 25' | 16 | 16 | 16 | 16 | 14 | 14 |
| 50' | 16 | 16 | 16 | 14 | 14 | 12 |
| 100' | 16 | 16 | 14 | 12 | 10 | — |

**Se usa en los circuitos de calibre 12, 20 amp.

NOTA: AWG = American Wire Gauge

ADVERTENCIA:

Mantenga el cordón de extensión fuera del área de trabajo. Al trabajar con una herramienta eléctrica, coloque el cordón de tal manera que no pueda enredarse en la madera, herramientas ni en otras obstrucciones. La inobservancia de esta advertencia puede causar lesiones serias.

ADVERTENCIA:

Inspeccione los cordones de extensión cada vez antes de usarlos. Si están dañados reemplácelos de inmediato. Nunca utilice la herramienta con un cordón dañado, ya que si toca la parte dañada puede producirse una descarga eléctrica, y las consecuentes lesiones serias.

CARACTERÍSTICAS

ESPECIFICACIONES DEL PRODUCTO

Interruptor.....Velocidad variable
Longitud de la carrera 12,7 mm (1/2 pulg.)
Velocidad en vacíoDe 0 a 3 500 r/min. (RPM)

FAMILIARÍCESE CON LA SIERRA ALTERNATIVA

Ve la figura 1, página 10.

Para usar este producto con la debida seguridad se debe comprender la información indicada en la herramienta misma y en este manual, y se debe comprender también el trabajo que intenta realizar. Antes de usar este producto, familiarícese con todas las características de funcionamiento y normas de seguridad del mismo.

EMPUÑADURA CILÍNDRICA

La empuñadura cilíndrica de esta sierra está diseñada para emplear la herramienta con una sola mano.

LUZ DE TRABAJO DE DIODO LUMINISCENTE

La sierra incluye luces de trabajo de diodo luminiscente que se encienden al presionar el gatillo del interruptor. De esta manera se suministra luz adicional para mayor visibilidad.

ARMADO

DESEMPAQUETADO

Embarcamos este producto completamente armado.

- Extraiga cuidadosamente de la caja la producto y los accesorios. Asegúrese de que estén presentes todos los artículos enumerados en la lista de empaquetado.

ADVERTENCIA:

No use este producto si no está totalmente ensamblado o si alguna pieza falta o está dañada. Si utiliza un producto que no se encuentra ensamblado de forma correcta y completa, puede sufrir lesiones graves.

- Inspeccione cuidadosamente la producto para asegurarse de que no haya sufrido ninguna rotura o daño durante el transporte.
- No deseche el material de empaquetado sin haber inspeccionado cuidadosamente la producto y haberla utilizado satisfactoriamente.
- Si hay piezas dañadas o faltantes, le suplicamos llamar al 1-866-539-1710, donde le brindaremos asistencia.

Corriente de entrada 120 V, sólo corr. alt., 60 Hz, 6 A
Peso neto 2,0 kg (4,4 lb.)

SELECTOR DE MOVIMIENTO EN ÓRBITA

Use el selector de acción orbital para seleccionar un movimiento lineal o una acción de corte orbital. Un movimiento lineal es mejor para realizar cortes suaves y para cortar metal, mientras que la acción orbital es mejor para realizar cortes más rápidos en madera.

MORDAZA PARA HOJA SIN HERRAMIENTA

La mordaza de la hoja de la sierra no requiere ninguna herramienta (llave de la hoja) al instalarse o desmontarse la hoja.

GATILLO DEL INTERRUPTOR DE VELOCIDAD VARIABLE

Esta herramienta dispone de un interruptor de velocidad variable, el cual produce mayor velocidad cuanto mayor presión se aplica en el gatillo.

ADVERTENCIA:

Si falta o está dañada alguna pieza, no utilice este producto sin haber reemplazado la pieza. Usar este producto con falta o está dañada alguna pieza podría tener como resultado herida personal grave.

ADVERTENCIA:

No intente modificar este producto ni hacer accesorios no recomendados para la misma. Cualquier alteración o modificación constituye maltrato el cual puede causar una condición peligrosa, y como consecuencia posibles lesiones corporales serias.

ADVERTENCIA:

No conecte la unidad al suministro de corriente sin haber terminado de armarla. De lo contrario la unidad puede ponerse en marcha accidentalmente, con el consiguiente riesgo de lesiones corporales serias.

FUNCIONAMIENTO

ADVERTENCIA:

No permita que su familiarización con este producto le vuelva descuidado. Tenga presente que un descuido de un instante es suficiente para infligir una lesión grave.

ADVERTENCIA:

Siempre póngase protección ocular con la marca de cumplimiento de la norma ANSI Z87.1. Si la operación genera mucho polvo, también póngase una mascarilla contra el polvo.

ADVERTENCIA:

No utilice ningún aditamento o accesorio no recomendado por el fabricante de esta herramienta. El empleo de aditamentos o accesorios no recomendados podría causar lesiones serias.

APLICACIONES

Este producto puede emplearse para los fines siguientes:

- Corte de todos tipos de productos de madera (tablas, madera contrachapada, paneles, madera aglomerada y madera dura)
- Corte de masonite y plásticos
- Corte de paneles de yeso
- Corte de metales como lámina de acero, tubos, barras de acero, aluminio, bronce y cobre

SELECCIÓN DE LAS HOJAS

Es importante seleccionar una hoja de tipo correcto con el fin de lograr un desempeño óptimo de la sierra. Debe seleccionarse la hoja según el uso y el material deseados. Si se selecciona una hoja adecuada se logra un corte más limpio y rápido, así como una vida de servicio más prolongada de la hoja de corte.

Las hojas con menos dientes, o sea 10 dientes por pulgada (DPP), se usan normalmente para cortar madera, mientras que aquellas con más dientes son mejores para cortar metal o plástico. Para plásticos y metales suaves recomendamos las de 14 DPP, y para metales duros, las de 18 DPP.

ADVERTENCIA:

Esta sierra no debe emplearse para la poda ni usarse con una hoja para podar. La inobservancia de esta advertencia puede causar la pérdida del control de la unidad y ocasionar lesiones graves.

MONTAJE Y DESMONTAJE HOJA

Vea la figura 2, página 10.

- Desconecte la sierra.
- Gire la mordaza de la hoja hacia la izquierda y sosténgala para abrir.
- Inserte la hoja de la sierra hasta que esté completamente asentada.
NOTA: La hoja puede instalarse ya sea con los dientes orientados hacia arriba o hacia abajo.
- Suelte la mordaza para asegurar la hoja.
- Para retirar la hoja, gire la mordaza de la hoja hacia la izquierda.

APAGADO Y ENCENDIDO DE LA SIERRA

Vea la figura 3, página 10.

- **Para encender la sierra:** Oprima el gatillo del interruptor.
- **Para apagar la sierra:** Suelte el gatillo del interruptor.

VELOCIDAD VARIABLE

Vea la figura 3, página 10.

Esta herramienta dispone de un interruptor de velocidad variable, el cual produce mayor velocidad cuanto mayor presión se aplica en el gatillo. La velocidad se controla mediante la presión aplicada en el gatillo del interruptor.

ADVERTENCIA:

Si se cortan los cables eléctricos contenidos en las paredes pueden cargarse eléctricamente las superficies metálicas de la sierra. No toque partes metálicas al cortar una pared; sólo sujete las superficies de sujeción aisladas de la herramienta. Al cortar una pared, asegúrese de que no haya cables eléctricos ocultos, tubos hidráulicos y peligros mecánicos en el trayecto de la hoja de corte.

SELECTOR DE MOVIMIENTO EN ÓRBITA

Vea la figura 4, página 10.

Use el selector de movimiento en órbita para seleccionar una carrera línea o un movimiento de corte en órbita.

NOTA: No use la posición de movimiento en órbita cuando utilice una hoja para cortar metal.

- Para cortes lineales, gire el selector a la posición "OFF" (DESACTIVADO).
- Para el movimiento de corte en órbita, gire el selector a la posición "ON" (ACTIVADO).

NOTA: Para evitar dañar la herramienta, siempre deje que el motor se detenga completamente antes de usar el selector de movimiento en órbita.

FUNCIONAMIENTO

UTILIZACIÓN DE LA SIERRA

Veá las figuras 5 - 6, página 10.

- Asegure la pieza de trabajo en un banco o mesa de trabajo con una prensa fija o varias de mano.
- Marque claramente la línea de corte.
- Asegúrese de que la hoja de la sierra esté lejos de todo objeto extraño y de que el cordón de corriente y el de extensión estén fuera de la trayectoria de la hoja.
- Sostenga firmemente la sierra al frente y bien alejada de usted.
- Oprima el gatillo del interruptor para iniciar el movimiento de corte.
- Ponga el conjunto de la zapata contra la pieza de trabajo.
- Avance la hoja y comience a cortar la pieza de trabajo.

NOTA: La empuñadura cilíndrica de esta sierra está diseñada para emplear la herramienta con una sola mano. Mantenga la otra mano alejada de la sierra y del área de corte de la pieza de trabajo.

NOTA: No fuerce la herramienta. Aplique sólo la presión suficiente para mantener la sierra cortando. Permita que la hoja y la sierra realicen el trabajo. Mantenga la presión de la base contra la pieza de trabajo.

CORTE DE PENETRACIÓN EN MADERA Y PANELES PARA PAREDES

Veá la figura 7, página 10.

- Asegure la pieza de trabajo en un banco o mesa de trabajo con una prensa fija o varias de mano.
- Marque claramente la línea de corte.
- Asegúrese de que la hoja de la sierra esté lejos de todo objeto extraño y de que el cordón de corriente y el de extensión estén fuera de la trayectoria de la hoja.
- Sostenga firmemente la sierra al frente y bien alejada de usted.
- Escoja un punto inicial conveniente dentro del área de corte y coloque la punta de la hoja encima de ese punto.
- Deje descansar el borde frontal del conjunto de la zapata sobre la pieza de trabajo y mantenga la base firmemente en su lugar durante el corte.
- Oprima el gatillo del interruptor y permita que la hoja de la sierra alcance plena velocidad.

ADVERTENCIA:

Asegúrese de no tocar la pieza de trabajo con la hoja sino hasta que la sierra haya alcanzado su máxima velocidad. La inobservancia de esta advertencia puede causar la pérdida de control de la sierra, y por consiguiente lesiones serias.

- Incline hacia abajo la sierra hasta que la punta de la hoja comience a cortar la pieza de trabajo.
- Permita que la sierra penetre en la pieza de trabajo.
- Incline la sierra hasta que la hoja quede perpendicular a la pieza de trabajo.

ADVERTENCIA:

Las hojas de una longitud superior a 152,4 mm (6 pulg.) pueden latigear, por lo cual debe evitarse utilizarlas para corte por penetración. La inobservancia de esta advertencia puede causar lesiones serias.

ADVERTENCIA:

Si se cortan cables eléctricos pueden cargarse eléctricamente la hoja, la mordaza de la hoja y el conjunto de la barra de la sierra. No toque piezas metálicas de la herramienta al cortar una pared; sólo sujete las superficies de sujeción aisladas de la herramienta. Al cortar una pared, asegúrese de que no haya cables eléctricos ocultos, tubos hidráulicos y peligros mecánicos en el trayecto de la hoja de corte.

CORTE DE METALES

Veá la figura 8, página 10.

Con la sierra pueden cortarse metales como lámina de acero, tubos, barras de acero, aluminio, bronce y cobre.

Al cortar metal observe las siguientes sugerencias:

- Tenga cuidado de no torcer o doblar la hoja de la sierra.
- **No fuerce** la herramienta y póngala en una velocidad baja.
- Utilice aceite para cortar al cortar metales suaves y acero. El aceite para cortar mantiene frías las hojas, aumenta la eficacia del corte y prolonga la vida de servicio de las hojas.
- **Nunca** utilice gasolina, ya que el chispeo normal del motor puede inflamar las emanaciones de la misma.
- Sujete firmemente la pieza de trabajo con prensas, y corte cerca del punto de sujeción para eliminar toda vibración posible de la pieza. Al cortar tubo conduit, así como tubo o ángulo de hierro, sujete la pieza de trabajo en una prensa de banco si es posible y corte cerca de la prensa. Para cortar material en forma de lámina delgada, "emparédelo" entre dos paneles de madera prensada o contrachapada y sujete las capas con prensas para eliminar la vibración y el desgarramiento del material.
- Siempre mantenga una presión firme de la conjunto de la zapata contra la pieza de trabajo.

MANTENIMIENTO

ADVERTENCIA:

Para el servicio de la unidad sólo utilice piezas de repuesto idénticas. El empleo de piezas diferentes puede causar un peligro o dañar el producto.

ADVERTENCIA:

Siempre póngase protección ocular con protección lateral con la marca de cumplimiento de la norma ANSI Z87.1. Si la operación genera mucho polvo, también póngase una mascarilla contra el polvo.

MANTENIMIENTO GENERAL

Evite el empleo de solventes al limpiar piezas de plástico. La mayoría de los plásticos son susceptibles a diferentes tipos de solventes comerciales y pueden resultar dañados. Utilice paños limpios para eliminar la suciedad, el polvo, el aceite, la grasa, etc.

ADVERTENCIA:

No permita en ningún momento que fluidos para frenos, gasolina, productos a base de petróleo, aceites penetrantes, etc., lleguen a tocar las piezas de plástico. Las sustancias químicas pueden dañar, debilitar o destruir el plástico, lo cual a su vez puede producir lesiones corporales serias.

Las herramientas eléctricas que se utilizan en materiales de fibra de vidrio, paneles de yeso para paredes, compuestos de resana o yeso, están sujetas a desgaste acelerado y posible fallo prematuro porque las partículas y limaduras de fibra de vidrio son altamente abrasivas para los cojinetes, escobillas, conmutadores, etc. Por consiguiente, no recomendamos el uso de esta herramienta durante períodos prolongados de trabajo en estos tipos de materiales. Sin embargo, si usted trabaja con cualquiera de estos materiales, es sumamente importante limpiar la herramienta con aire comprimido.

LUBRICACIÓN

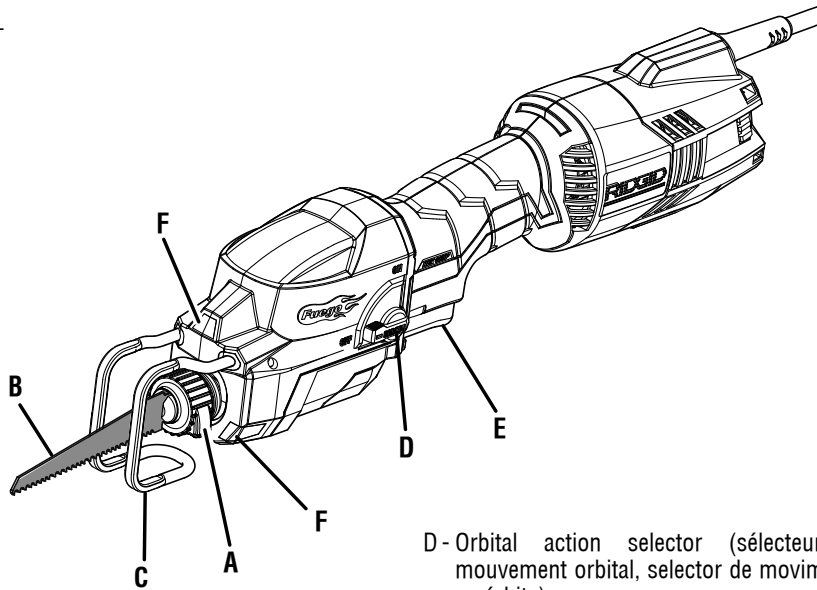
Todos los cojinetes de esta herramienta están lubricados con suficiente cantidad de aceite de alta calidad para toda la vida útil de la unidad en condiciones normales de funcionamiento. Por lo tanto, no se necesita lubricación adicional.

REEMPLAZO DEL CORDÓN DE CORRIENTE

El fabricante o su agente deben cambiar el cordón de corriente, en caso de que sea necesario, para evitar peligros.

Este producto tiene una política de satisfacción garantizada de 90 días y una garantía limitada de tres años. Para obtener detalles sobre la garantía y la política de satisfacción garantizada, diríjase a www.RIDGID.com o llame sin cargo al 1-866-539-1710.

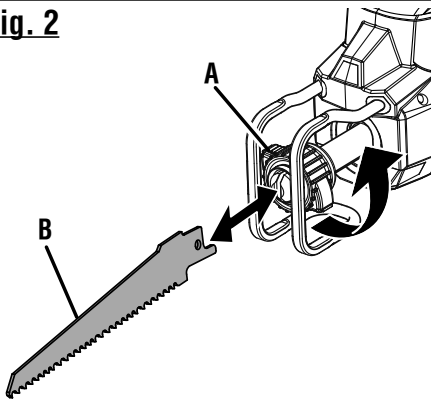
Fig. 1



- A - Toolless blade clamp (verrouillage de lame sans outil, mordaza de la cuchilla de apriete sin herramienta)
- B - Saw blade (lame de scie, hoja de la sierra)
- C - Shoe (sabot, zapata)

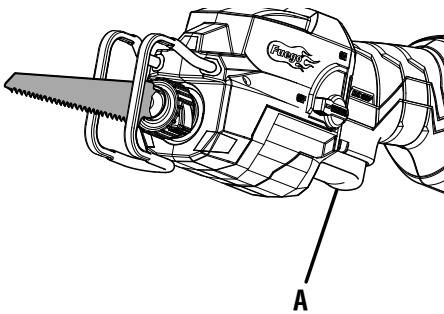
- D - Orbital action selector (sélecteur de mouvement orbital, selector de movimiento en órbita)
- E - Variable speed switch trigger (gâchette de vitesse variable, gatillo del interruptor de velocidad variable)
- F - LED lights (lampes à DEL, luces de diodo luminescente)

Fig. 2



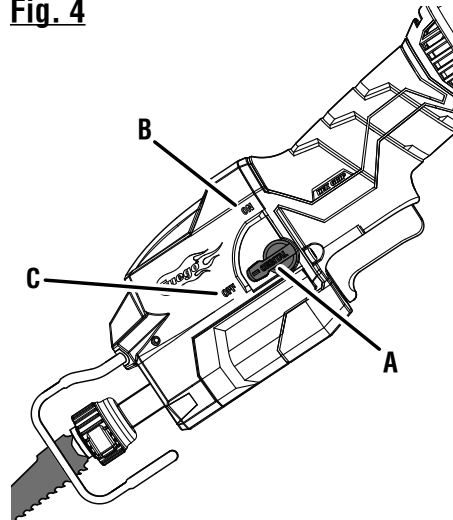
- A - Blade clamp (verrouillage de lame, mordaza para hoja)
- B - Blade (lame, hoja)

Fig. 3



- A - Variable speed switch trigger (gâchette de vitesse variable, gatillo del interruptor de velocidad variable)

Fig. 4



- A - Orbital action selector (sélecteur de mouvement orbital, selector de movimiento en órbita)
- B - On (marche, encendido)
- C - Off (arrêt, apagado)

Fig. 5

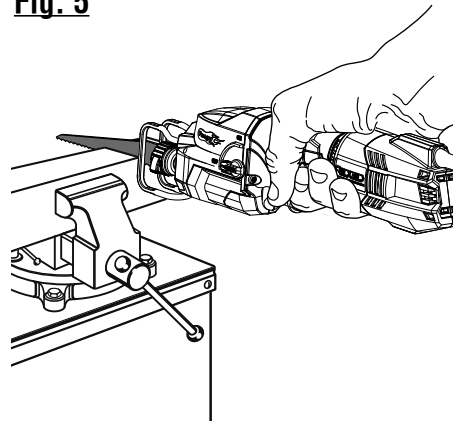


Fig. 6

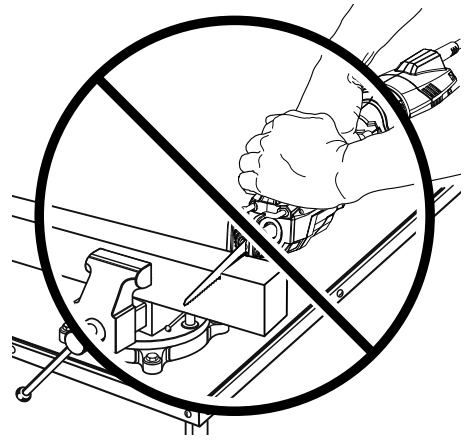


Fig. 7

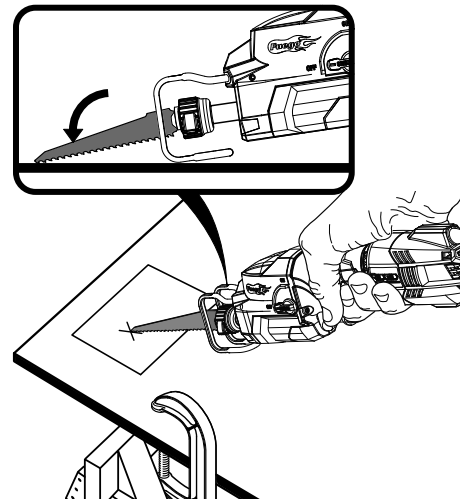
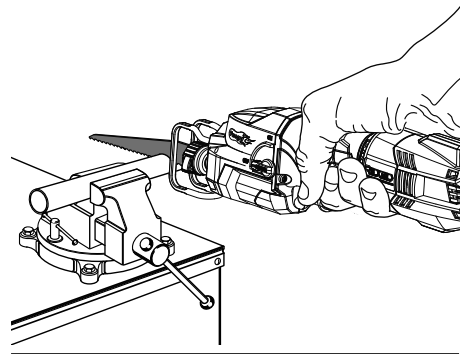


Fig. 8



OPERATOR'S MANUAL

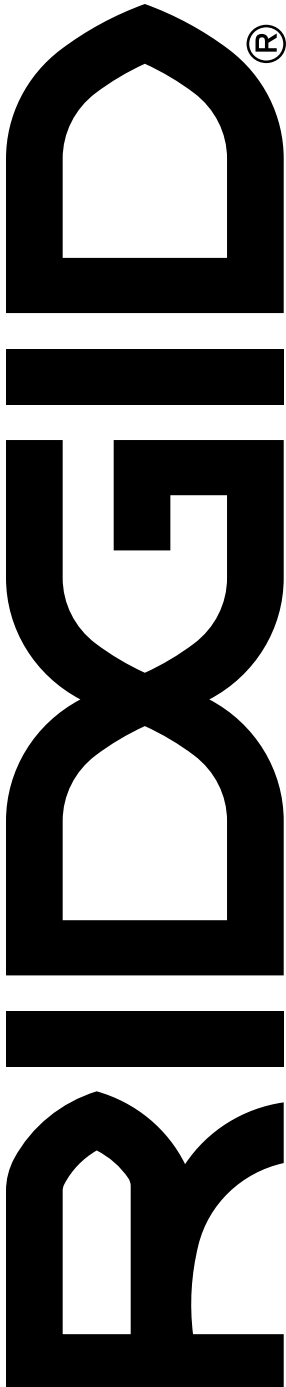
ONE-HANDED RECIPROCATING SAW

VARIABLE SPEED

MANUEL D'UTILISATION
SCIE ALTERNATIVE À UNE MAIN
VITESSE VARIABLE

MANUAL DEL OPERADOR
SIERRA ALTERNATIVA PARA UNA SOLA MANO
VELOCIDAD VARIABLE

R3031



Customer Service Information:

For parts or service, do not return this product to the store. Contact your nearest RIDGID® authorized service center. Be sure to provide all relevant information when you call or visit. For the location of the authorized service center nearest you, please call 1-866-539-1710 or visit us online at www.RIDGID.com.

MODEL NO. _____ SERIAL NO. _____

Service après-vente :

Pour acheter des pièces ou pour un dépannage, ne pas retourner ce produit au magasin. Contacter le centre de réparations RIDGID® agréé le plus proche. Veiller à fournir toutes les informations pertinentes lors de tout appel téléphonique ou visite. Pour obtenir l'adresse du centre de réparations agréé le plus proche, téléphoner au 1-866-539-1710 ou visiter notre site www.RIDGID.com.

NO. DE MODÈLE _____ NO. DE SÉRIE _____

Información sobre servicio al consumidor:

Para piezas de repuesto o servicio, no devuelva este producto a la tienda. Comuníquese con el centro de servicio autorizado de productos RIDGID® de su preferencia. Asegúrese de proporcionar todos los datos pertinentes al llamar o al presentarse personalmente. Para obtener información sobre el centro de servicio autorizado más cercano a usted, le suplicamos llamar al 1-866-539-1710 o visitar nuestro sitio en la red mundial, en la dirección www.RIDGID.com.

NÚM. DE MODELO _____ NÚM. DE SERIE _____

ONE WORLD TECHNOLOGIES, INC.

P.O. Box 1427
Anderson, SC 29622 USA
1-866-539-1710 ■ www.RIDGID.com

RIDGID is a registered trademark of RIDGID, Inc., used under license.