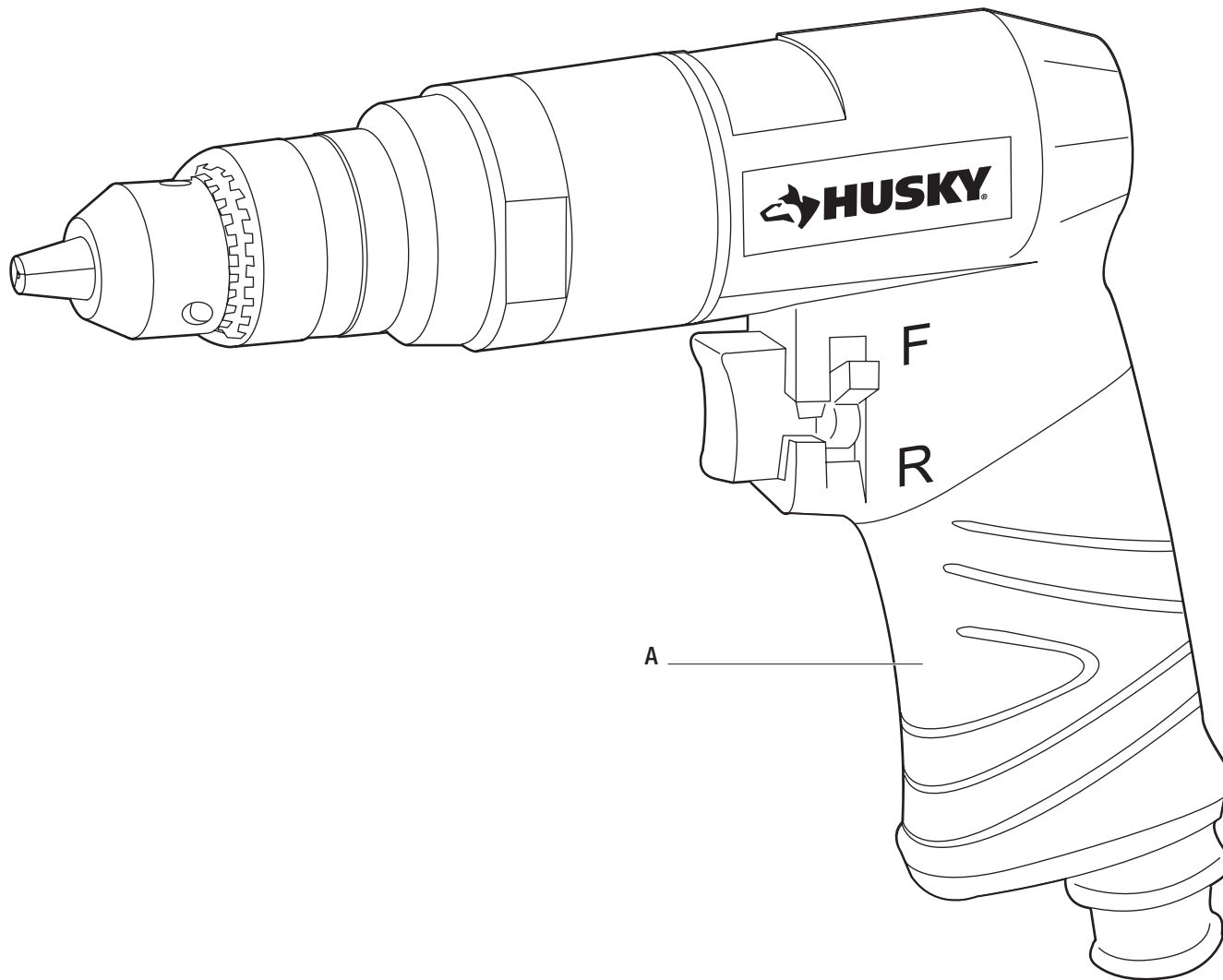


Pre-Installation

SPECIFICATIONS

Free Speed (RPM)	Weight (lbs)	Length (in)	Air Cons. (SCFM)	Maximum Operating Pressure (PSI)
2000	2.42	7.4	4	90

PACKAGE CONTENTS



Part	Description	Quantity
A	3/8" Reversible Drill	1